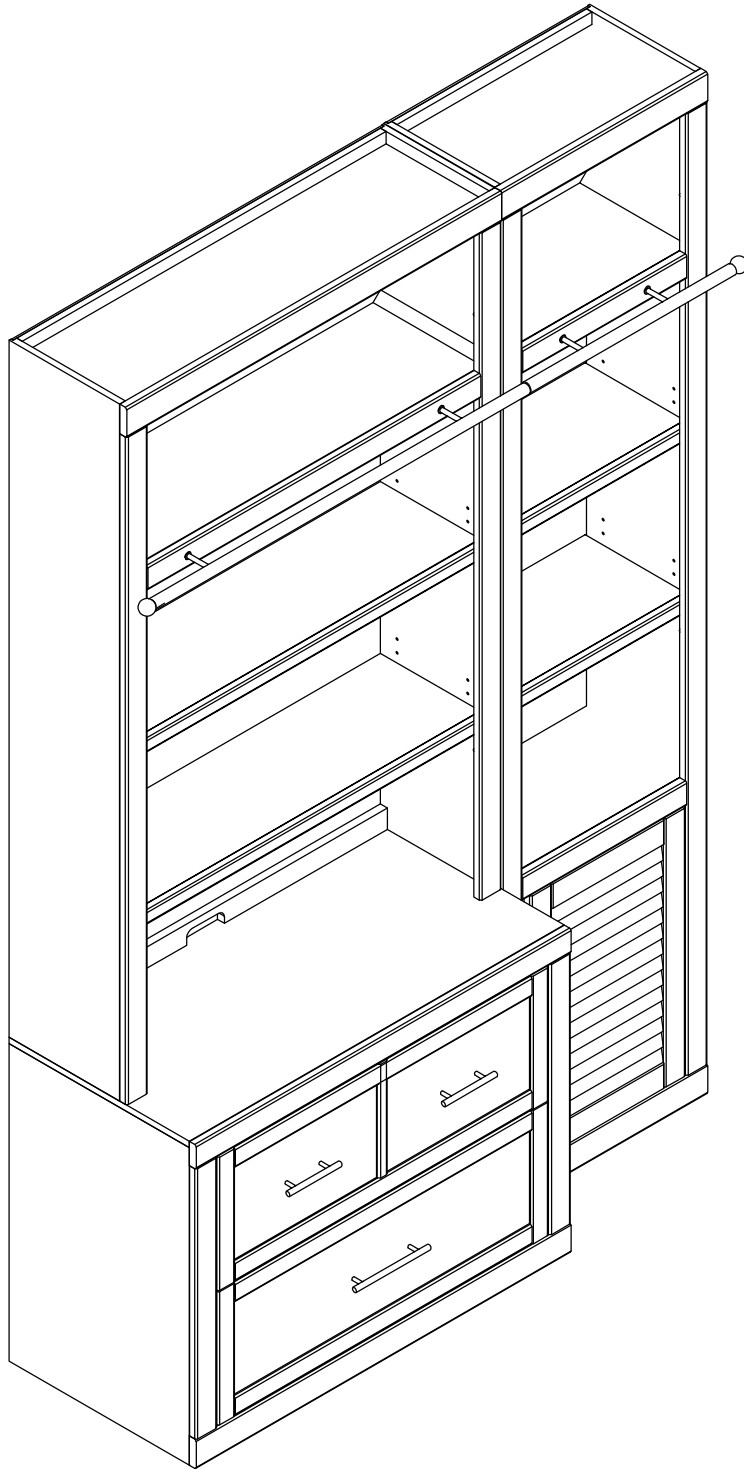


# Assembly Instruction

Description : 40 IN. LATERAL FILE





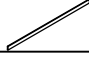

---

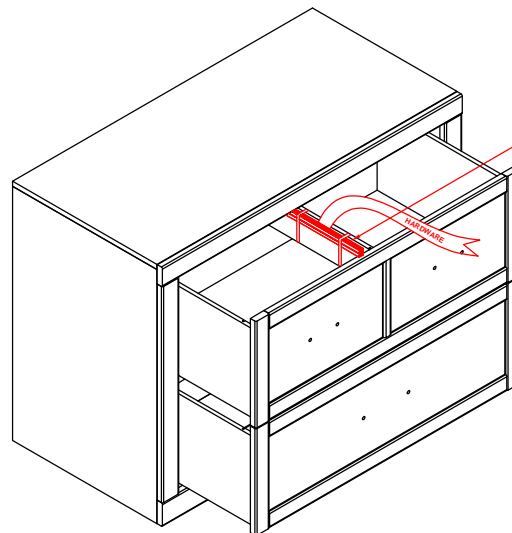
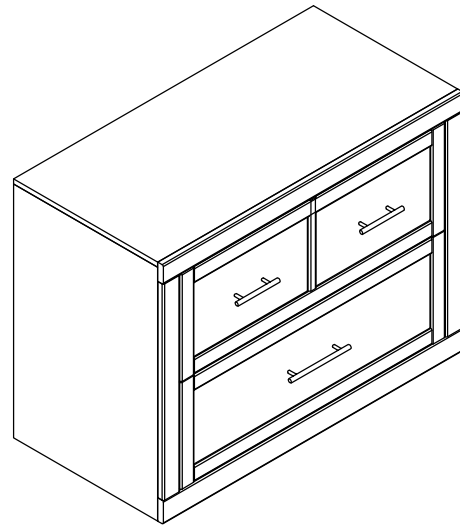


# Assembly Instruction

Description : 40 IN. LATERAL FILE

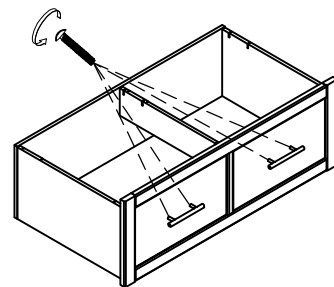
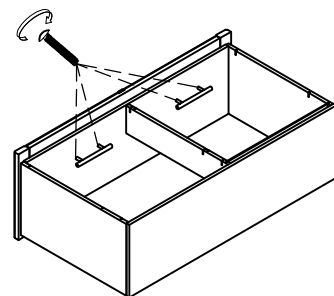
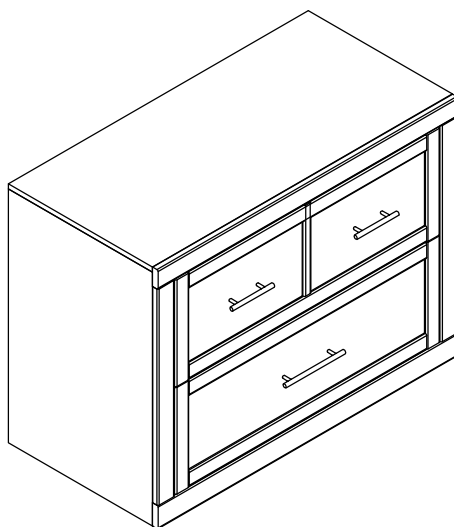
## HARDWARE LIST

No	Description	Sketch	Q'TY
A	Allen wrench 4mm		1PC
B	Bolt Ø 1/4" x1"		2PCS
C	Screw cap Ø 1/4" x5/8"		2PCS
D	Allen wrench 4mm		1PC
E	File rods 429x3x12mm		8PCS
F	Anti-tip hardware		1SET



Hardware and  
file rods pack is here

STEP 1

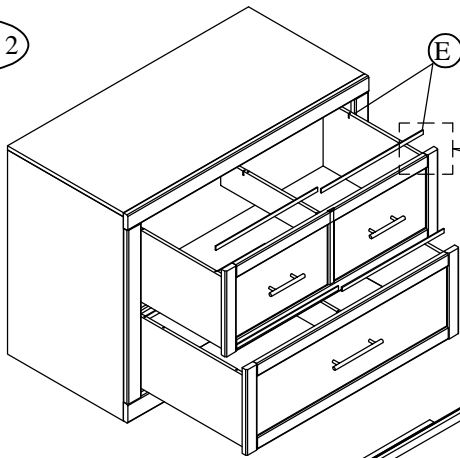


Open the pullout drawer, take off the handle installed on the back of drawer front and reattach the handle on the front side as shown.

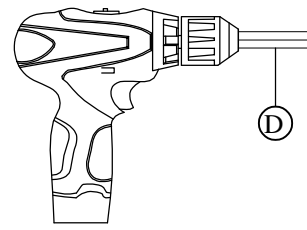
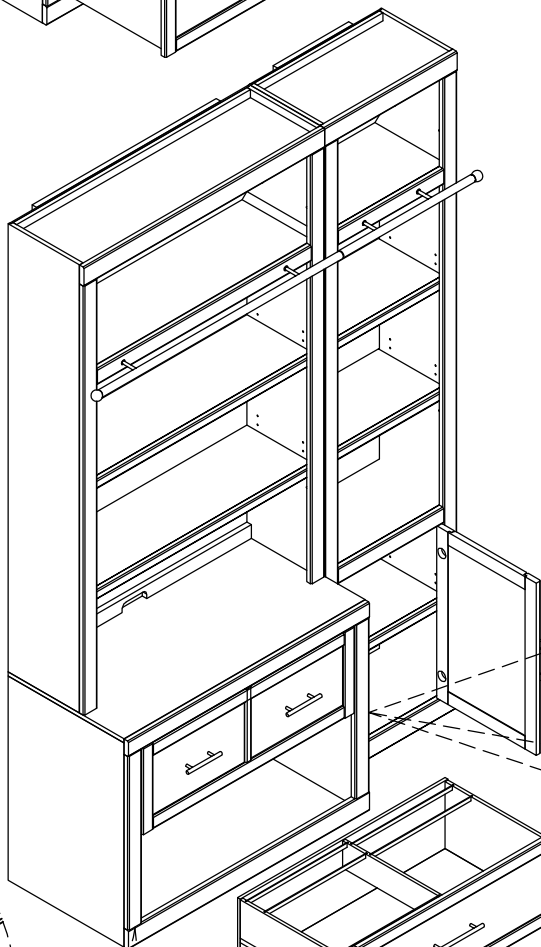
# Assembly Instruction

Description : 40 IN. LATERAL FILE

STEP 2

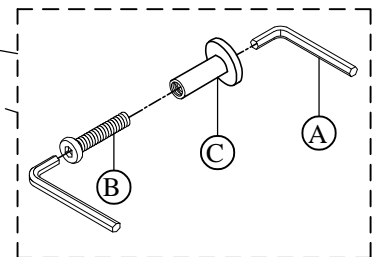


STEP 3



Electric drill

Remove the wood plugs before connecting the cabinets together.



Align and connect cabinets with connector bolt (B) and connector cap (C).

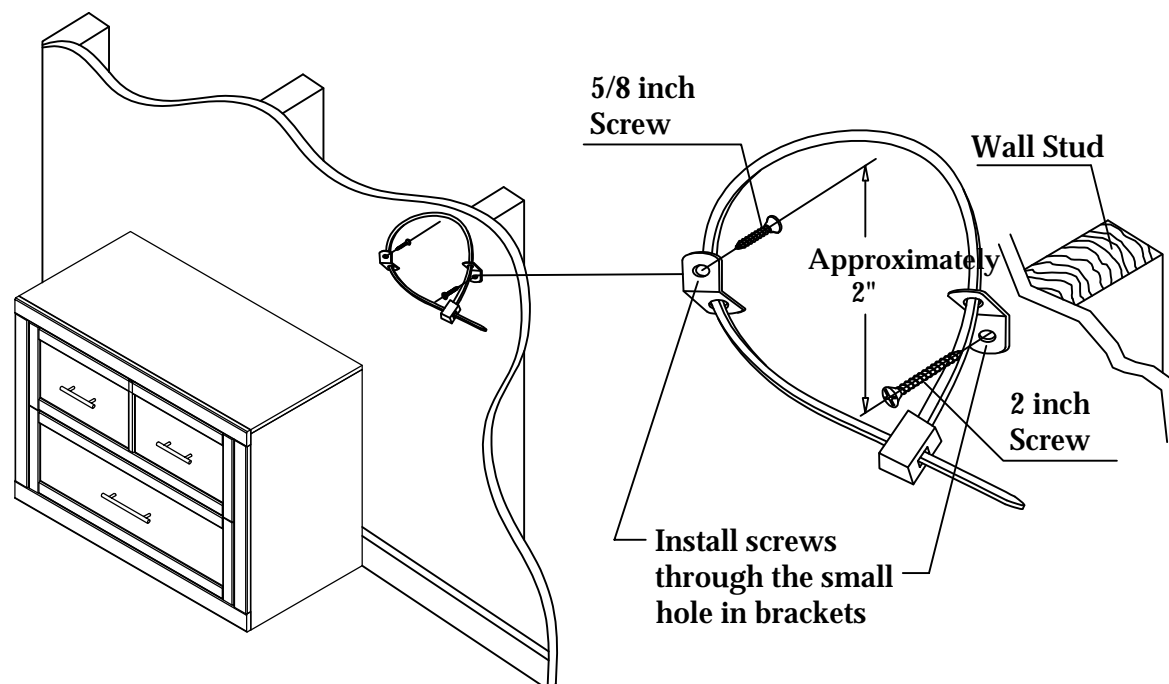
Assembled leveler =2PCS

Remove the cap of the leg levelers on the bottom of the file base and adjust

To remove the wood plugs and adjust the levelers on the file base, you will need to detach the drawers. To remove the drawers, press on the levers located on both sides of the drawer simultaneously while pulling the drawer out.

# Anti-Tip Hardware Installation Instructions

**Notice:** In homes where small children may be present, House recommends that steps be taken for certain furniture items to prevent or minimize the risk of tip-over. This furniture is equipped with Tip-over Restraint Hardware for use to minimize this risk, if used. Please follow below installation steps. House recommends that parents and guardians periodically visit the U.S. Consumer Product Safety Commission (CPSC) website at [www.cpsc.gov](http://www.cpsc.gov) and stay up to date on all issues related to children's product safety.



1. Temporarily locate the furniture to near its final location in the room next to a wall. Locate a wall stud behind your furniture and also mark the stud's location on the back of your furniture.
2. Firmly attach one bracket to the stud approximately 2" below the top of the furniture with the 2 inch long Wood Screws provided. It may be necessary to drill 3/32 dia. pilot holes for the screws.
3. Firmly attach the other bracket onto a solid, structural part on the back of the furniture using the 5/8 inch long Wood Screws. It may also be necessary to pilot bore for these screws.
4. Move the furniture into its final position, taking care to line up the wall bracket with the furniture bracket. Thread a strap through the bracket as shown in the illustration. Tighten strap until snug but do not over tighten.

**Caution:** House assumes no liability for improper installation or excessive loads placed on screws, brackets or straps. Failure to detach this restraint before moving furniture may result in personal injury and property damage.

**Warning:** This tip-over restraint is not to be a substitute for proper adult supervision. Do not allow children to climb on furniture. Items left on top of the TV and furniture, such as toys, remote controls, and treats might tempt young children to climb. Push the TV as far back as possible from the front of its stand. Place electrical cords out of a child's reach, and teach children not to play with the cords.