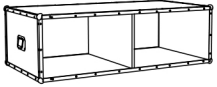
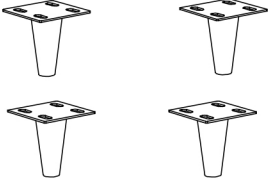



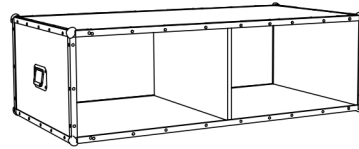


# ASSEMBLY INSTRUCTION SHEET FOR COFFEE TABLE

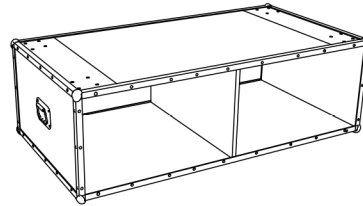
Size : 46" X 23-5/8" X 18-1/2"

S.N.	PART LIST	QTY.
1	TOP 	1 PC
2		4 PC
S.N.	HARDWARE LIST	QTY.
A	 METAL WASHER (1/4" X 1")	16PC
B	 ALLEN BOLT (1/4" X 3/4")	16 PC
C	 ALLEN KEY	1 PC



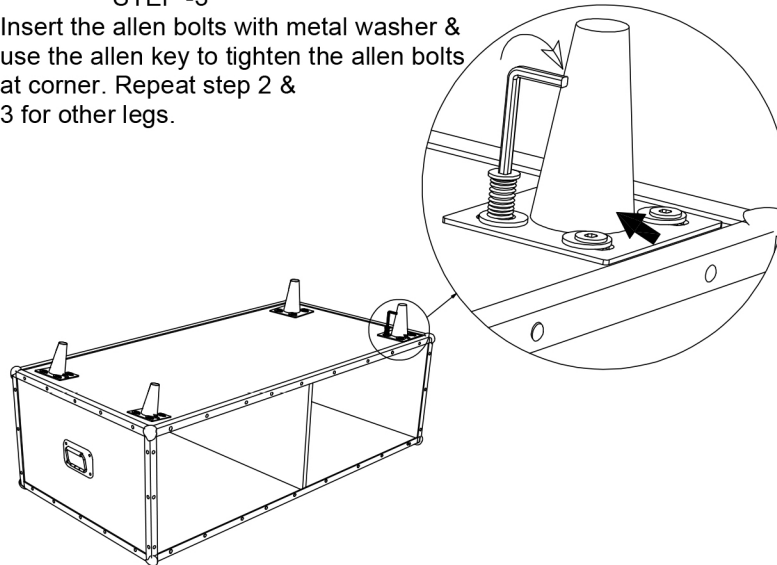
## STEP -1

Turn the table top upside down on a clean, dry surface to prevent damage to the top.



## STEP -3

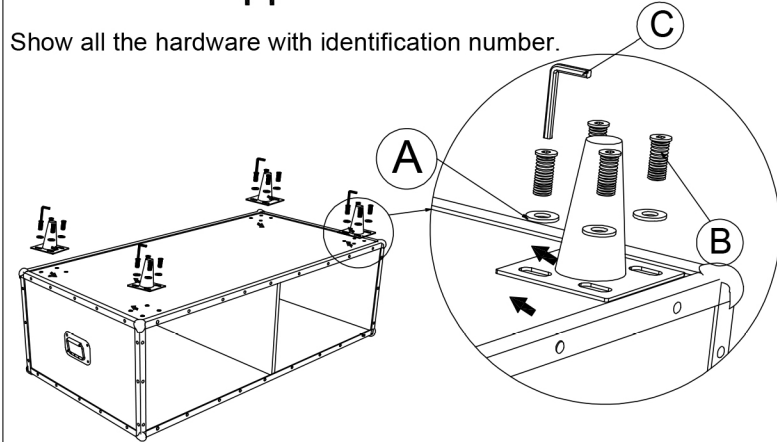
Insert the allen bolts with metal washer & use the allen key to tighten the allen bolts at corner. Repeat step 2 & 3 for other legs.



## STEP - 2

Coordinate all the legs to the bottom part of the item. Align the capsule holes on legs with holes on bottom part of the item. All the arrow marks  $\updownarrow$  on the legs needs to face the label.

Show all the hardware with identification number.



## STEP - 4

Assembly completed now your coffee table is ready to use.

