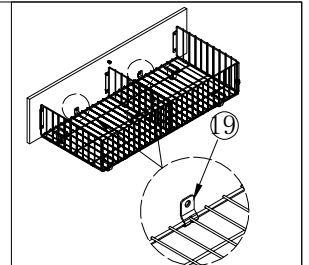
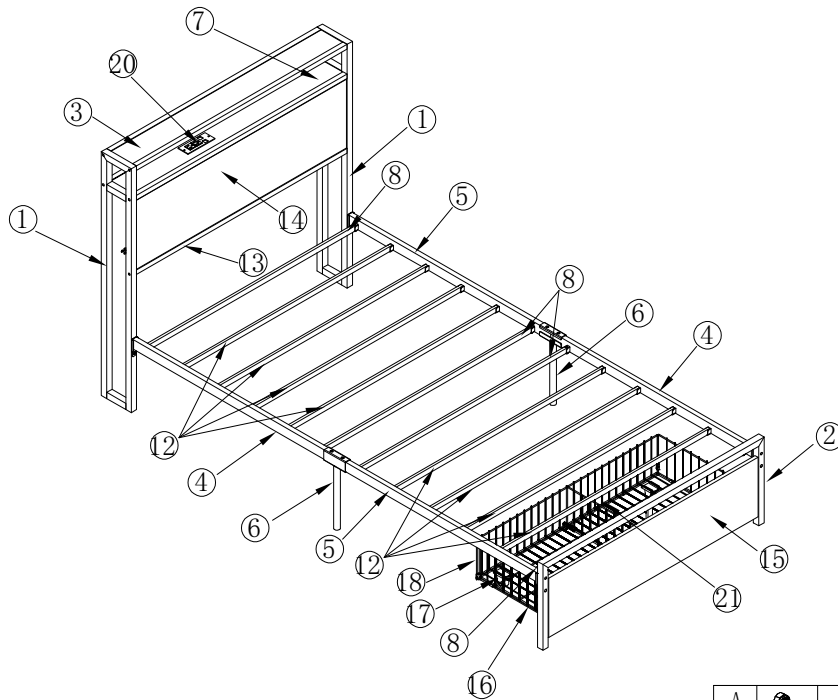
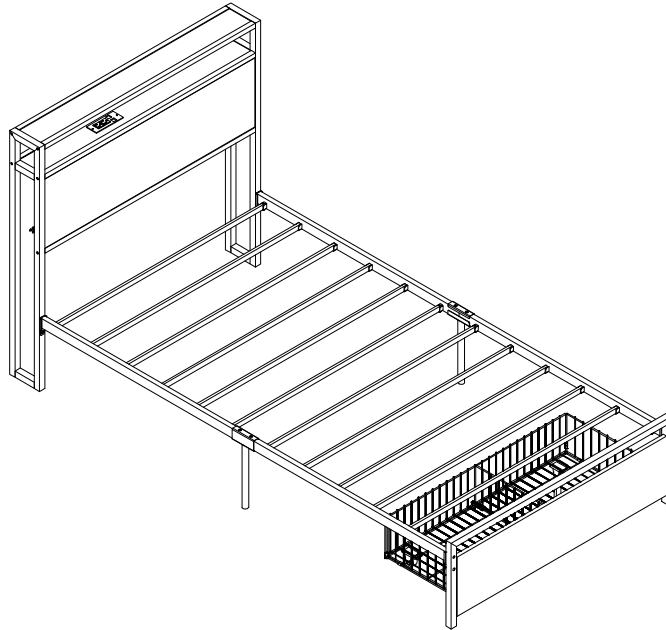




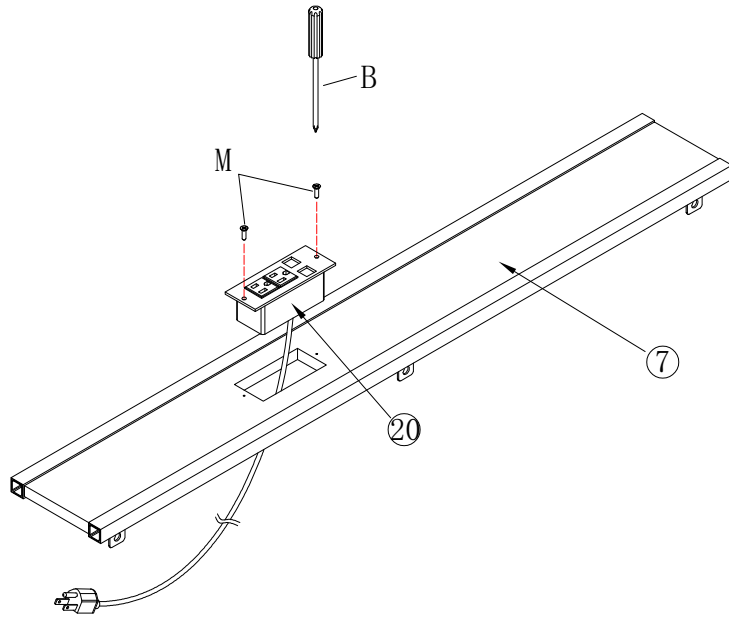
Please don't tighten the screws completely and go back later for a final tightening of all the screws after pieces are aligned with each other.






A		M8	8PCS	I		S4	1PC
B			1PC	J		S10, 13	1PC
C		M5*25	8PCS	K		M8*55	4PCS
E		M8*40	8PCS	L		M6*45	10PCS
F		φ8	8PCS	M		φ3*12	2PCS
G		M6*12	15PCS				
H		φ6	10PCS				

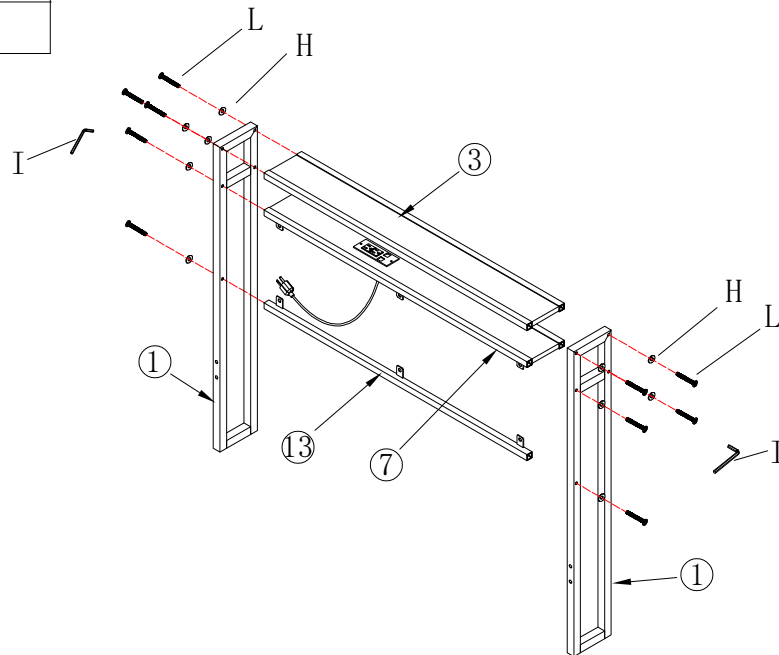
Step1

M		Φ3*12	2PCS
B			



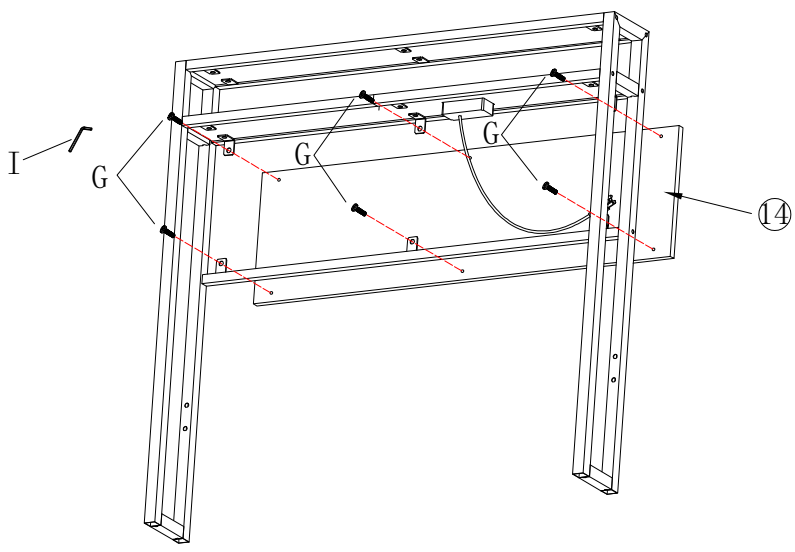
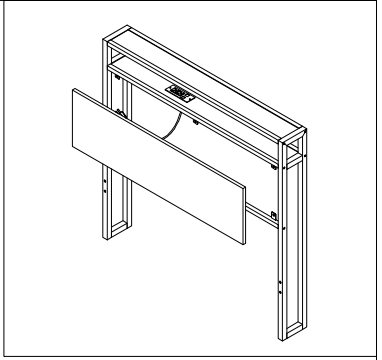
Step2

L		M6*45	10PCS
H		Φ6	10PCS
I		S4	




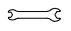


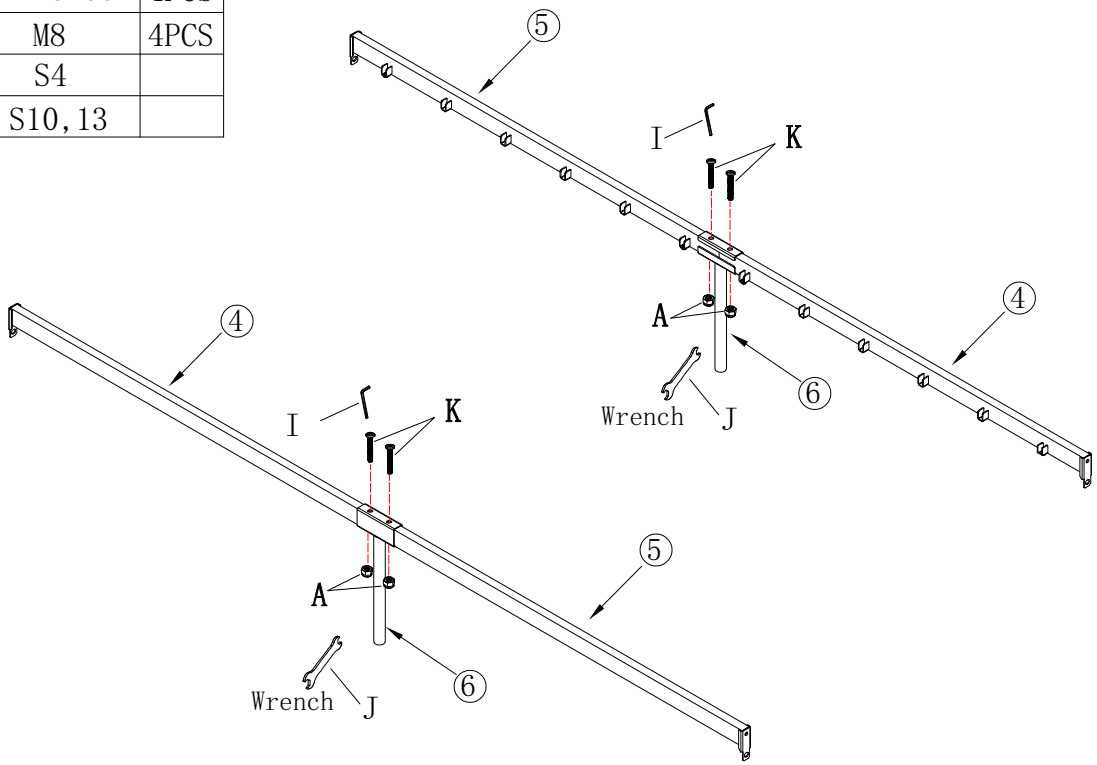
Step3

G		M6*12	6PCS
I		S4	








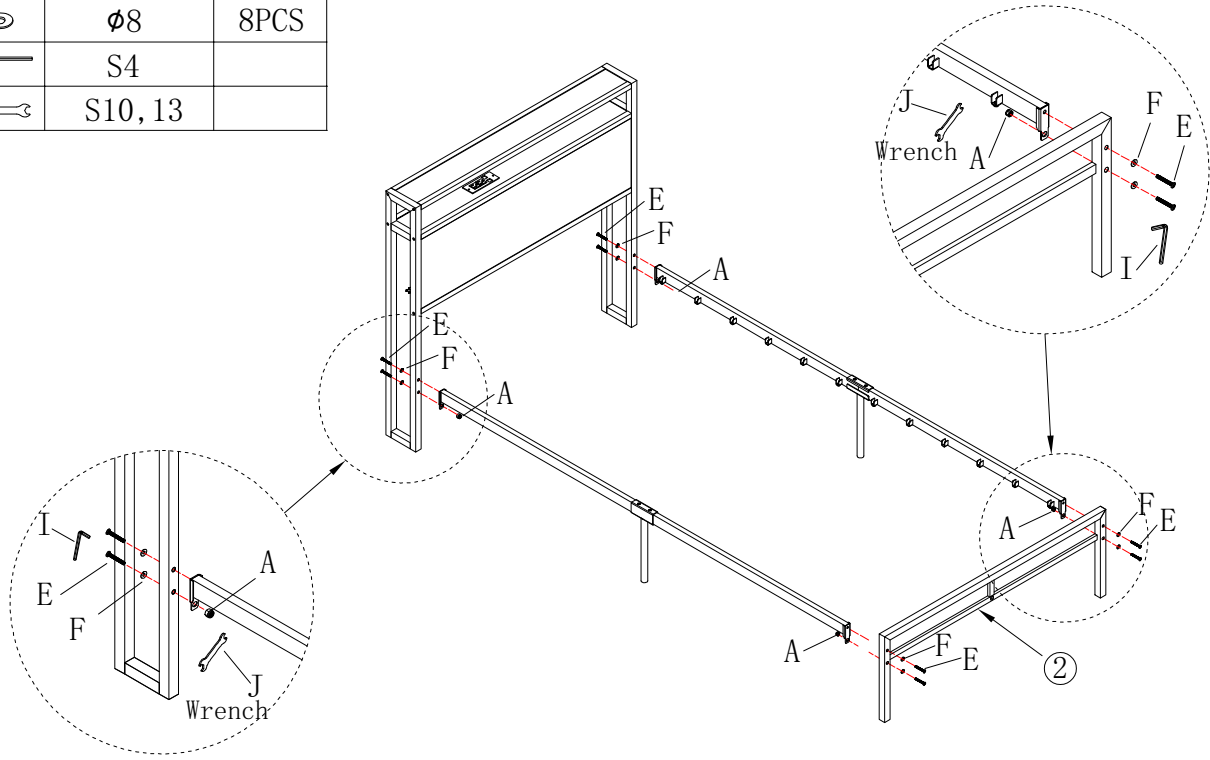
Step4

K		M8*55	4PCS
A		M8	4PCS
I		S4	
J		S10, 13	




Step5

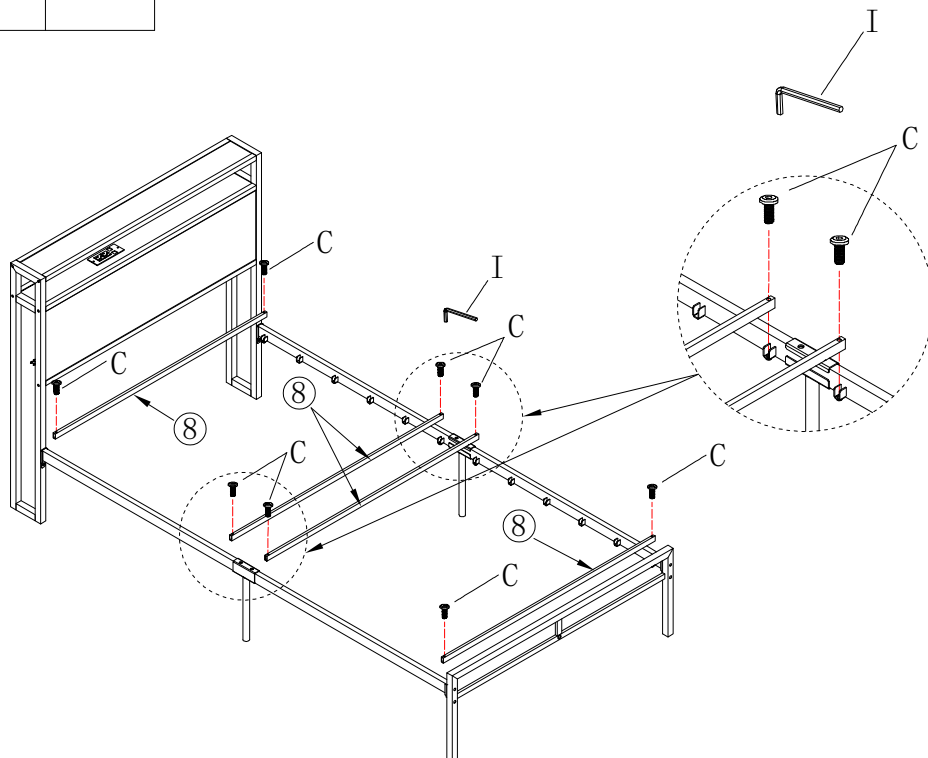
A		M8	4PCS
E		M8*40	8PCS
F		∅8	8PCS
I		S4	
J		S10, 13	



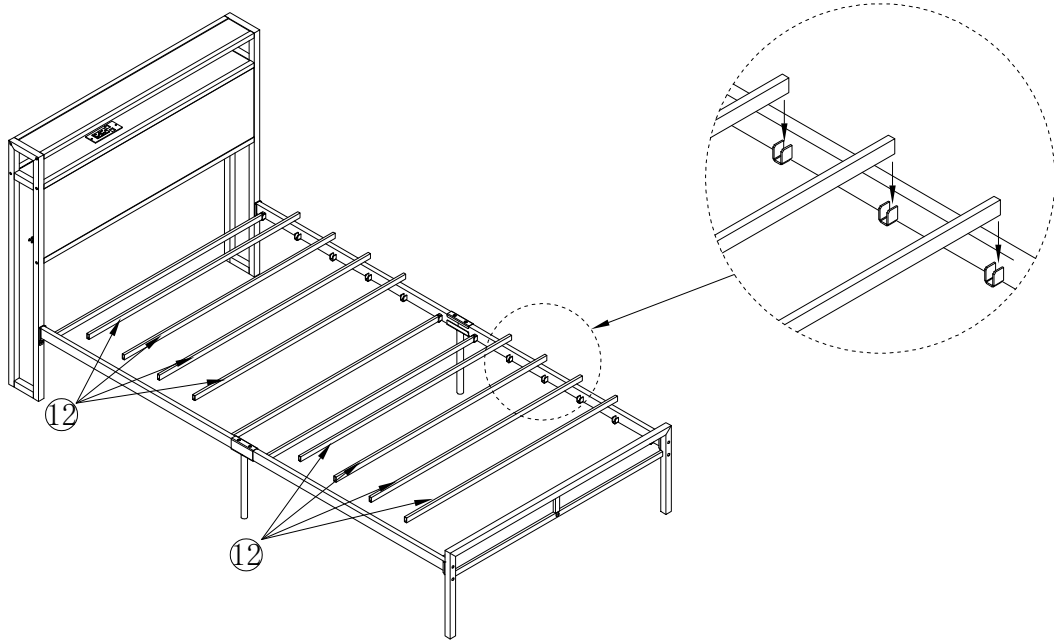
Step6

C		M5*25	8PCS
I		S4	

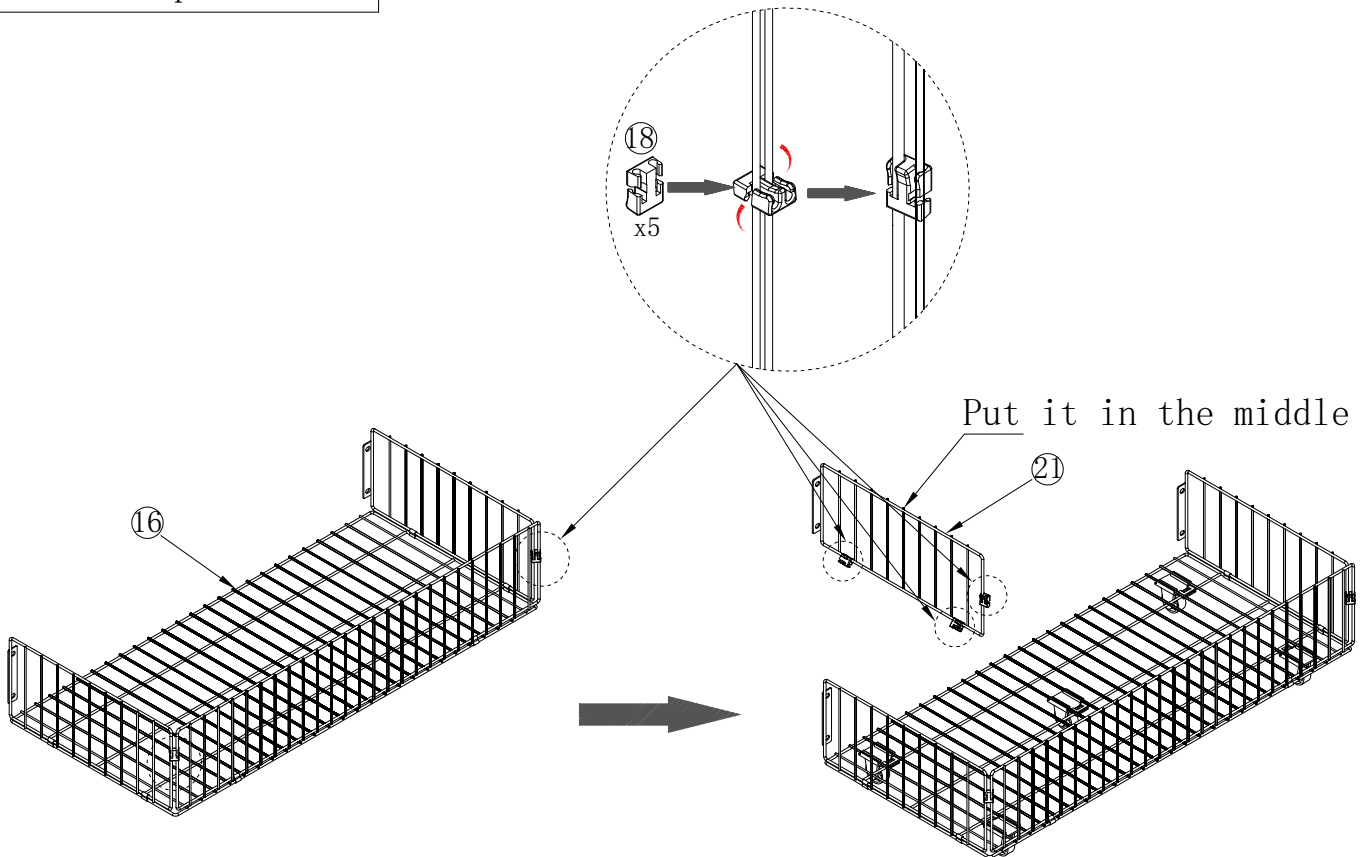
Tighten all the screws on it.




Step7

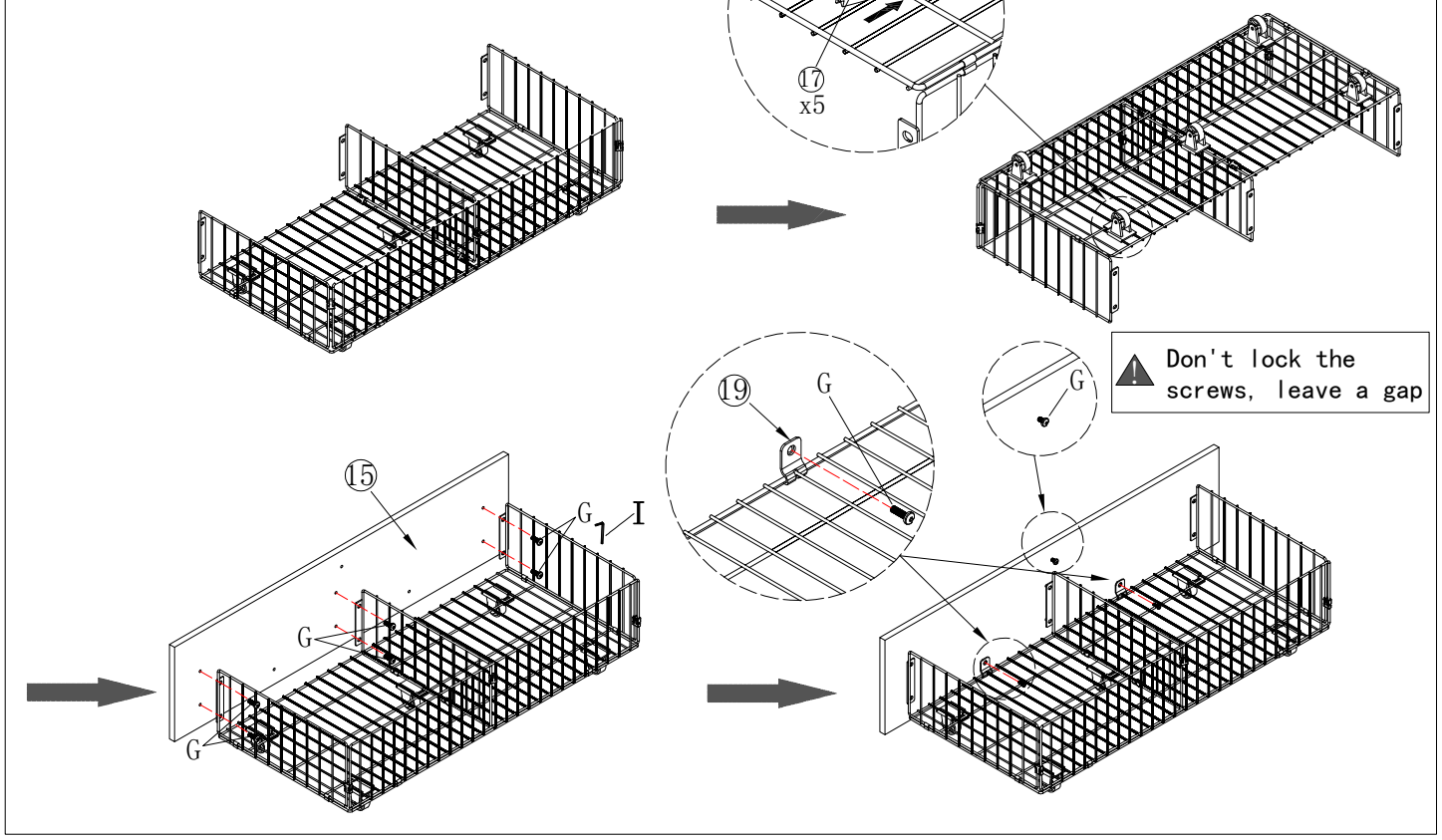


Step8

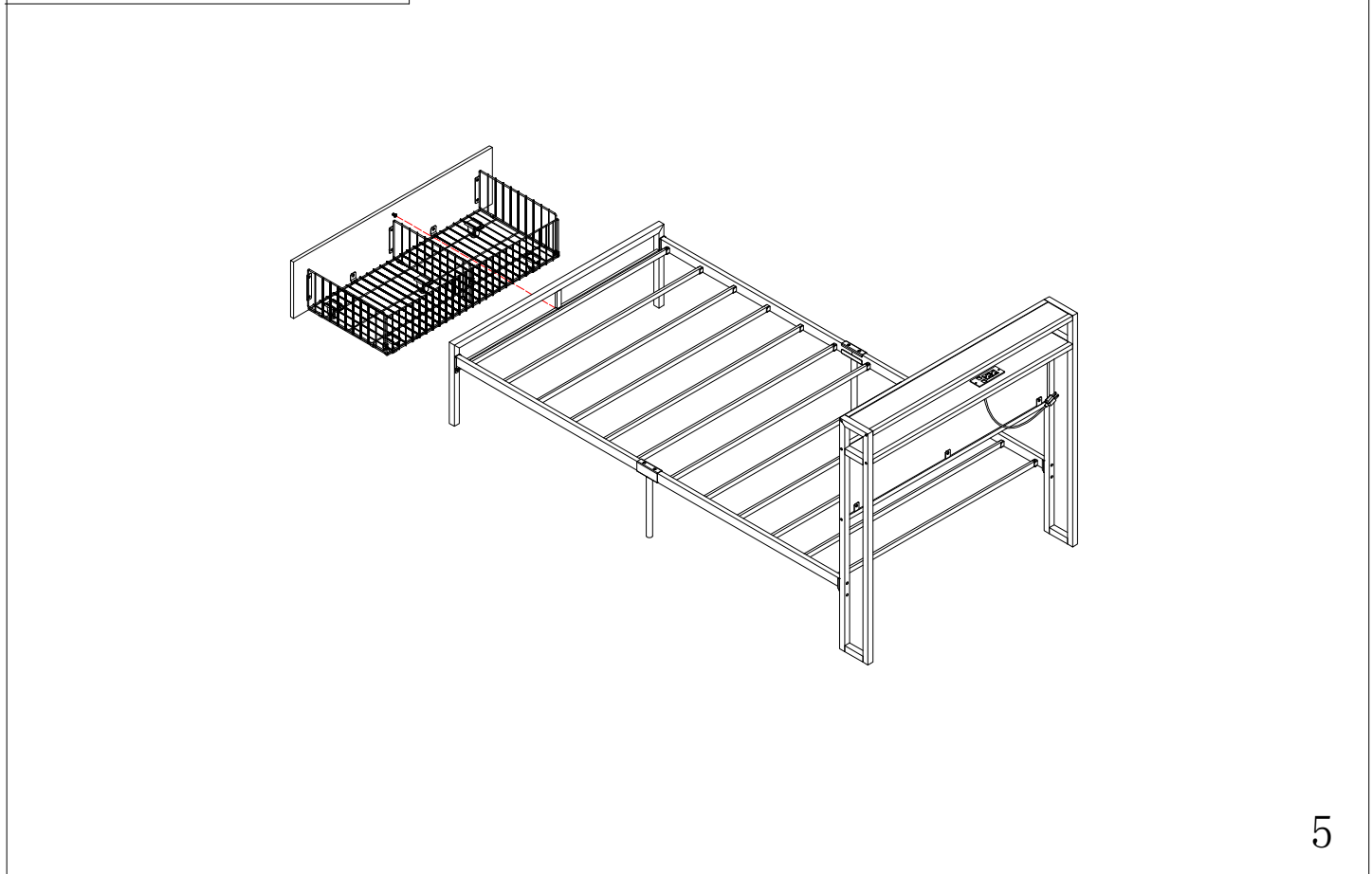


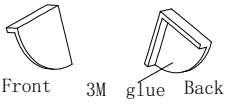
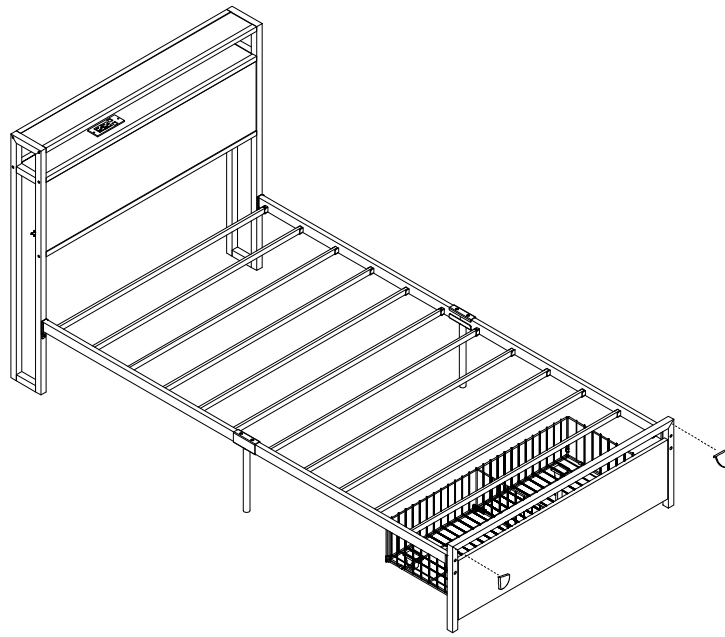
Step9

G		M6*12	9PCS
I		S4	



Step10





Turn over the rubber anti-collision block, tear off the paper, and stick 3M glue on the foot of the bed.