

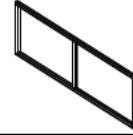
Manual

Tea table



Accessories

G



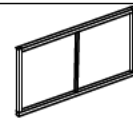
2

H



1

J



2

K



1

Assembly(a)

P



M6*30

12

M



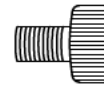
1

Q

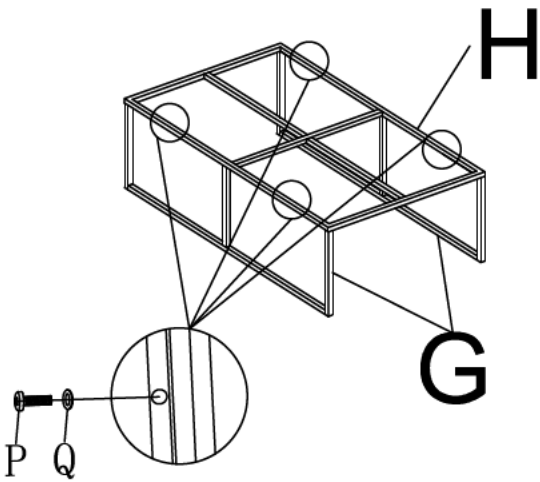


12

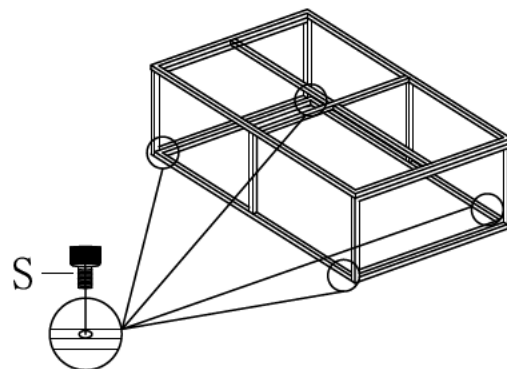
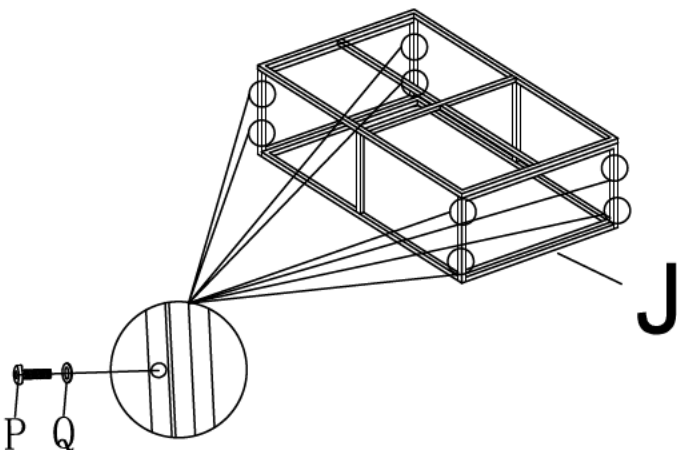
S



4

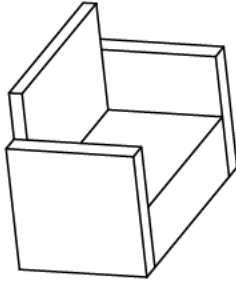


Assembly(b)



Manual

single sofa



Accessories

A



1

B



1

E



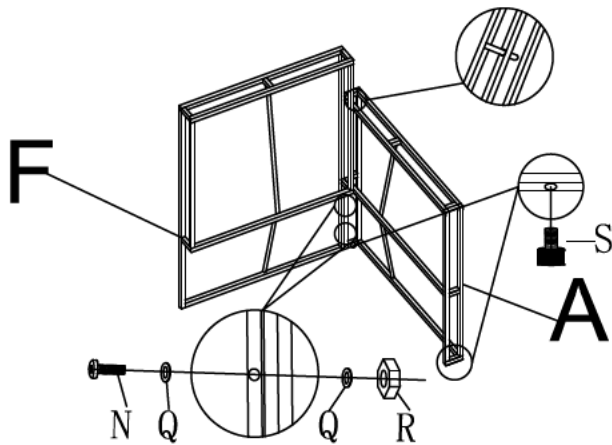
1

F



1

Assembly(a)



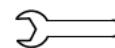
N



M6*50

12

L



1

M



1

R



12

Q



26

S



4

P



M6*30

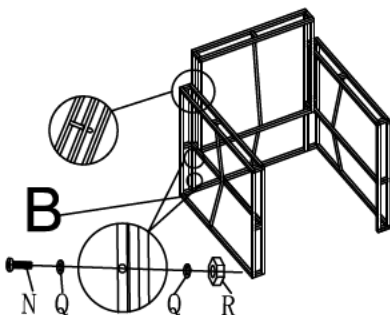
2

U

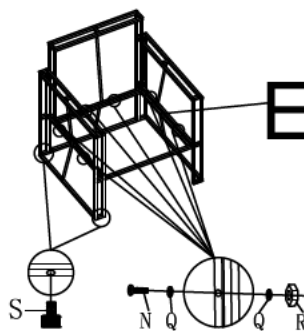


1

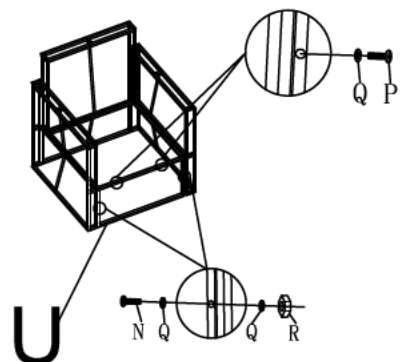
Assembly(b)



Assembly(c)

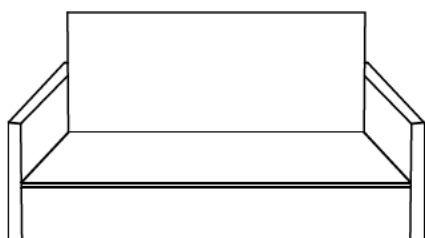


Assembly(d)



Manual

Love-seat sofa



Accessories

A



1

B



1

C



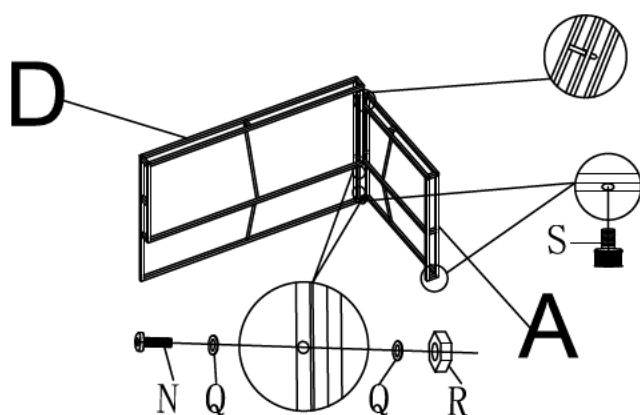
1

D



1

Assembly(a)



N



M6*50

12

L



1

M



1

R



12

Q



26

S



4

P



M6*30

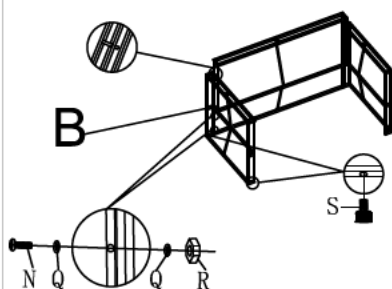
2

T

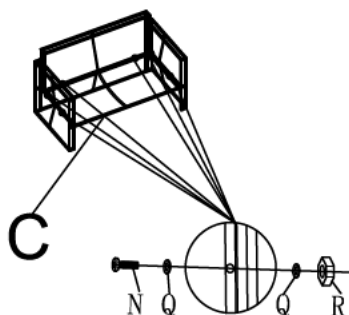


1

Assembly(b)



Assembly(c)



Assembly(d)

