

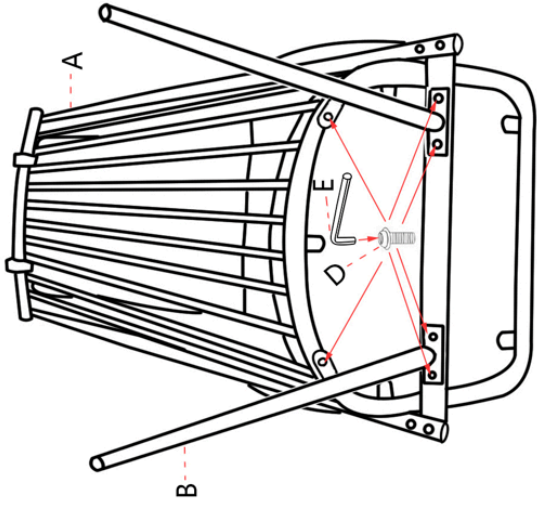
Item No:

7305

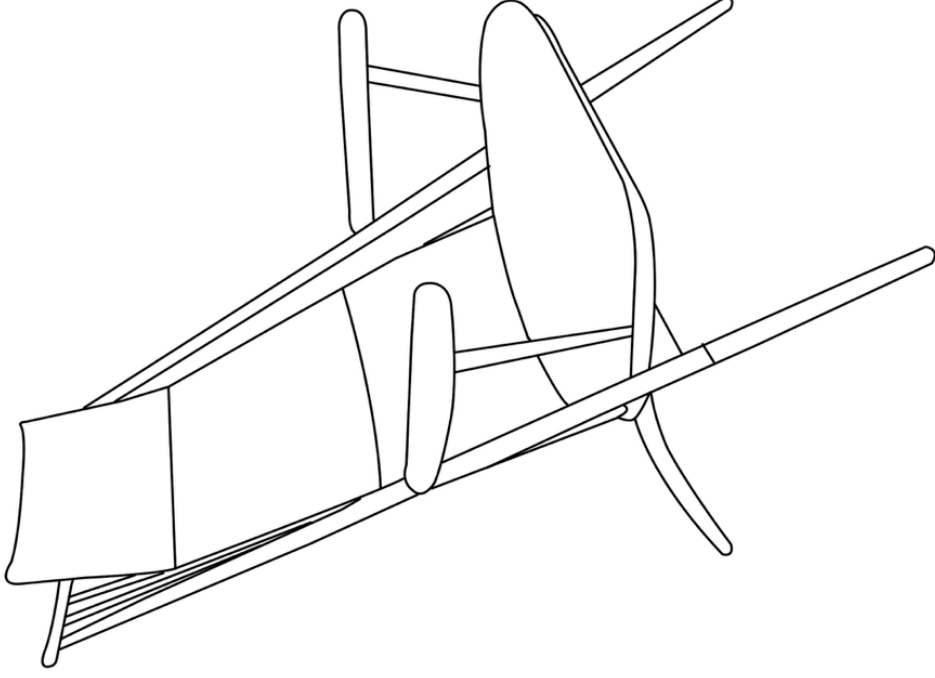
Assembly Instruction

Parts List

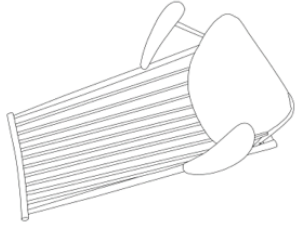
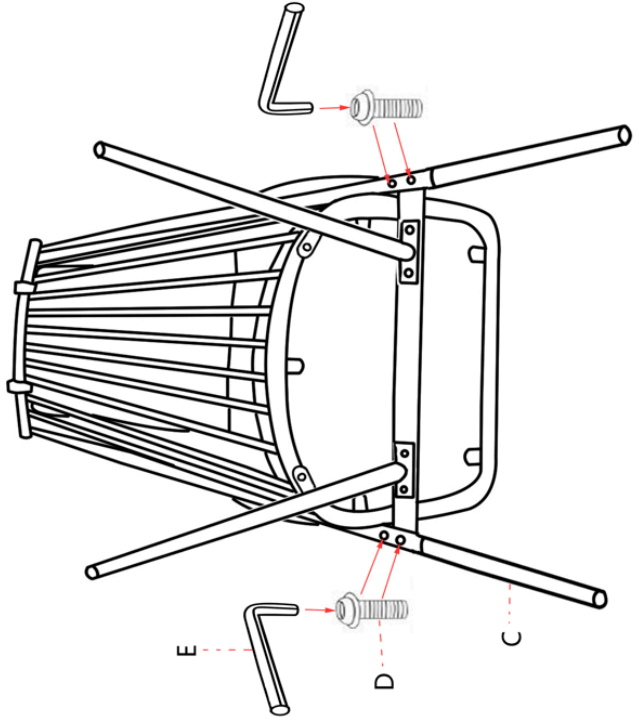
Step-1



Step-3



Step-2



A x1



B x2 (Back Legs)



C x2 (Front Legs)



D x10 (8*15mm)



E: Socket Wrench