

Per Seat Weight Limitation

110 LBS

Thank You For Choosing Our Furniture

- ▀ If you have any questions or concerns, don't hesitate to reach out to us. ▀

NOTE:



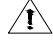


This brochure contains **IMPORTANT** safety info. Please read and keep it for future reference.

MAINTAINANCE AND WARNINGS



Before You Start

Please follow the steps below:




-  Check the packaging for any damage, deformation, or water stains. If there is significant damage, please contact us promptly.
-  Open the packaging and confirm that the panels, hardware, screws, etc are complete.
-  Please read the installation instructions carefully to understand the installation steps and precautions to ensure proper installation.
-  Clean the installation area in advance and ensure the ground is level and there is enough space to avoid damaging the furniture or making installation difficult.
-  Lay a protective mat on the ground to prevent scratching the floor during installation.

After-Sales Service

- If you encounter any issues or need technical support during use, please contact our after-sales team. We offer long-term maintenance and warranty services.





Precautions

-  This product for indoor use only. Do not expose it to outdoor elements or high-humidity environments.
-  Keep the product away from high heat or open flames to prevent fire hazards.
-  Do not allow children to climb on the product to prevent personal injury caused by tipping



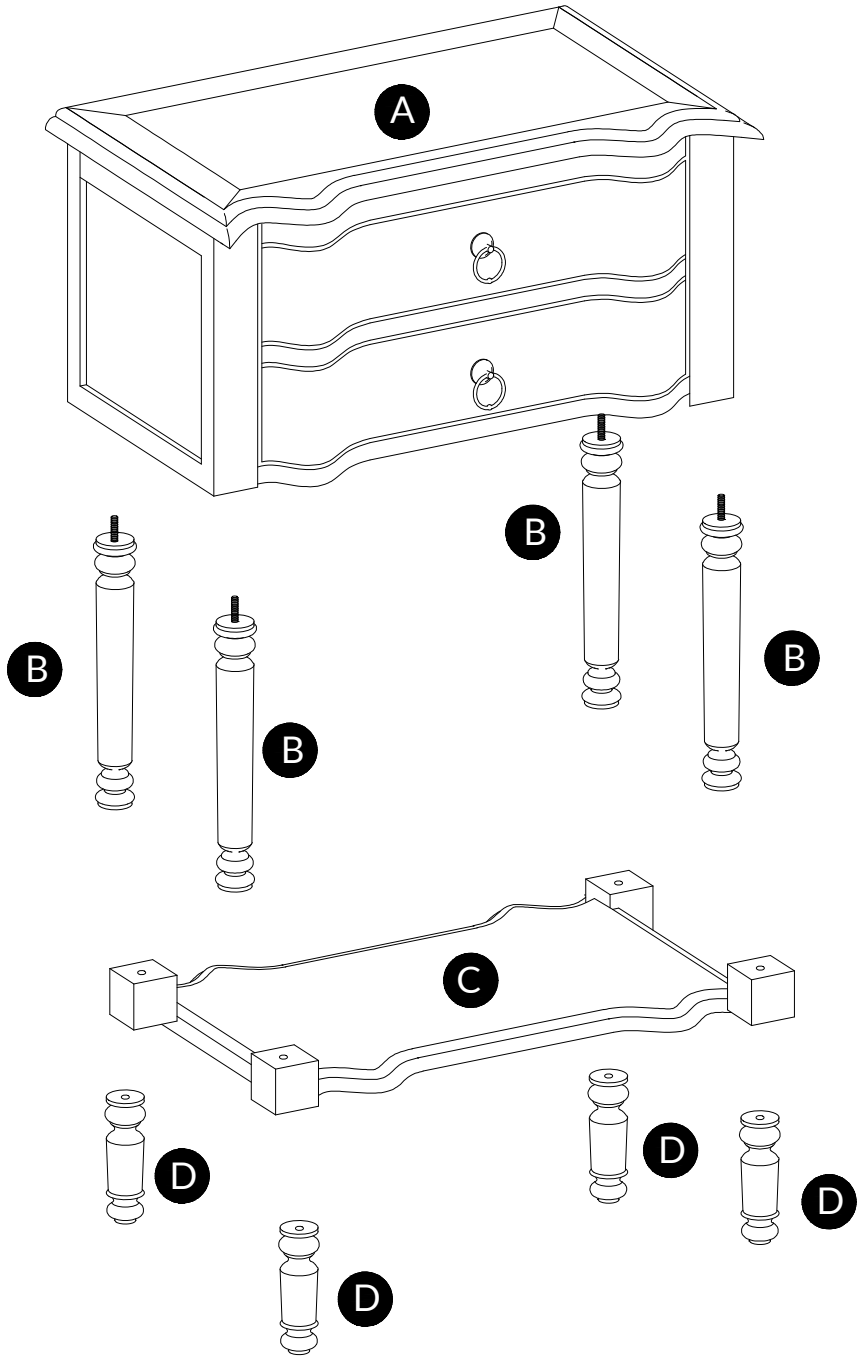
Safety Warnings

-  If you notice any loose or damaged parts, stop using the product immediately and contact customer service.
-  Do not attempt to disassemble or replace any components yourself, as this may affect the stability and safety of the product.

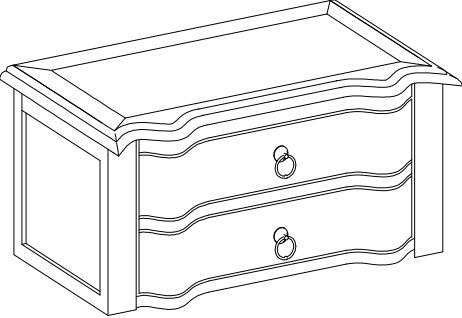

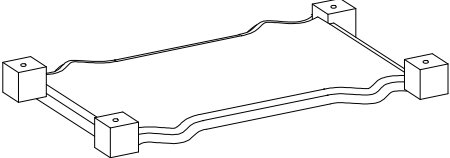
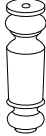
Daily Maintenance

- Do not use cleaning agents containing acids, alkalis, or corrosive substances, as they may damage the surface. It is recommended to use neutral cleaning agents or specialized furniture cleaners
- Avoid exposing furniture to humid environments for extended periods to prevent swelling or deformation of the boards. Use a dehumidifier or desiccant during humid weather.
- Avoid direct contact of furniture with water. If water is accidentally spilled, wipe it dry immediately.
- Avoid placing excessively heavy objects on the furniture: ensure the weight is within a reasonable load-bearing range.
- Avoid using sharp or rough items on the furniture surface to prevent scratches, Handle items gently when moving them

Explosive view



Parts list

<p>A</p>  <p>x1</p>	<p>B</p>  <p>x4</p>
<p>C</p>  <p>x1</p>	<p>D</p>  <p>x4</p>


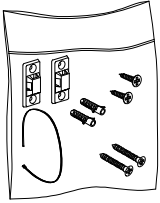
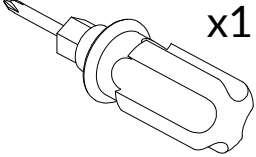


Installation:
15minutes.

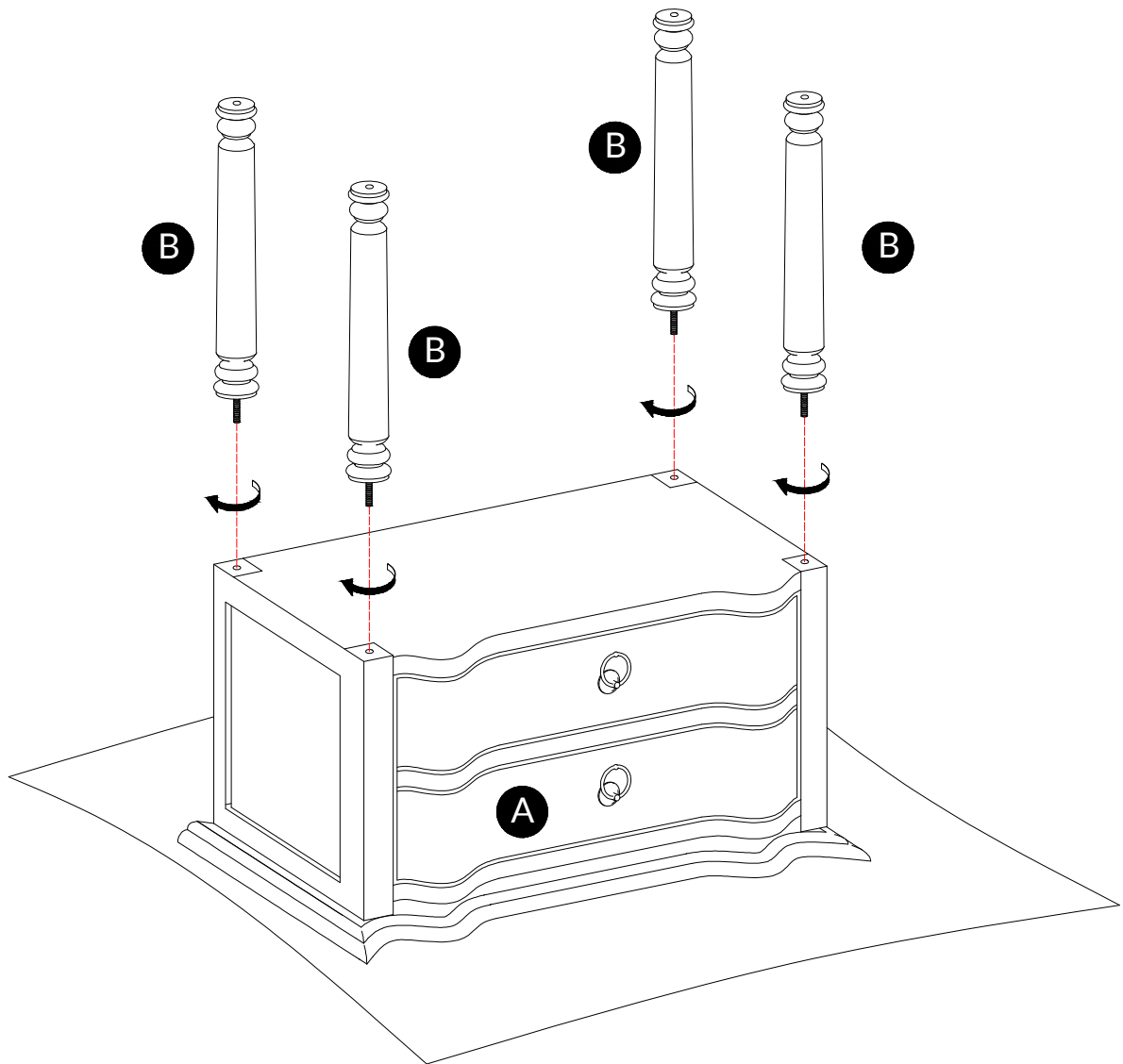


One Person

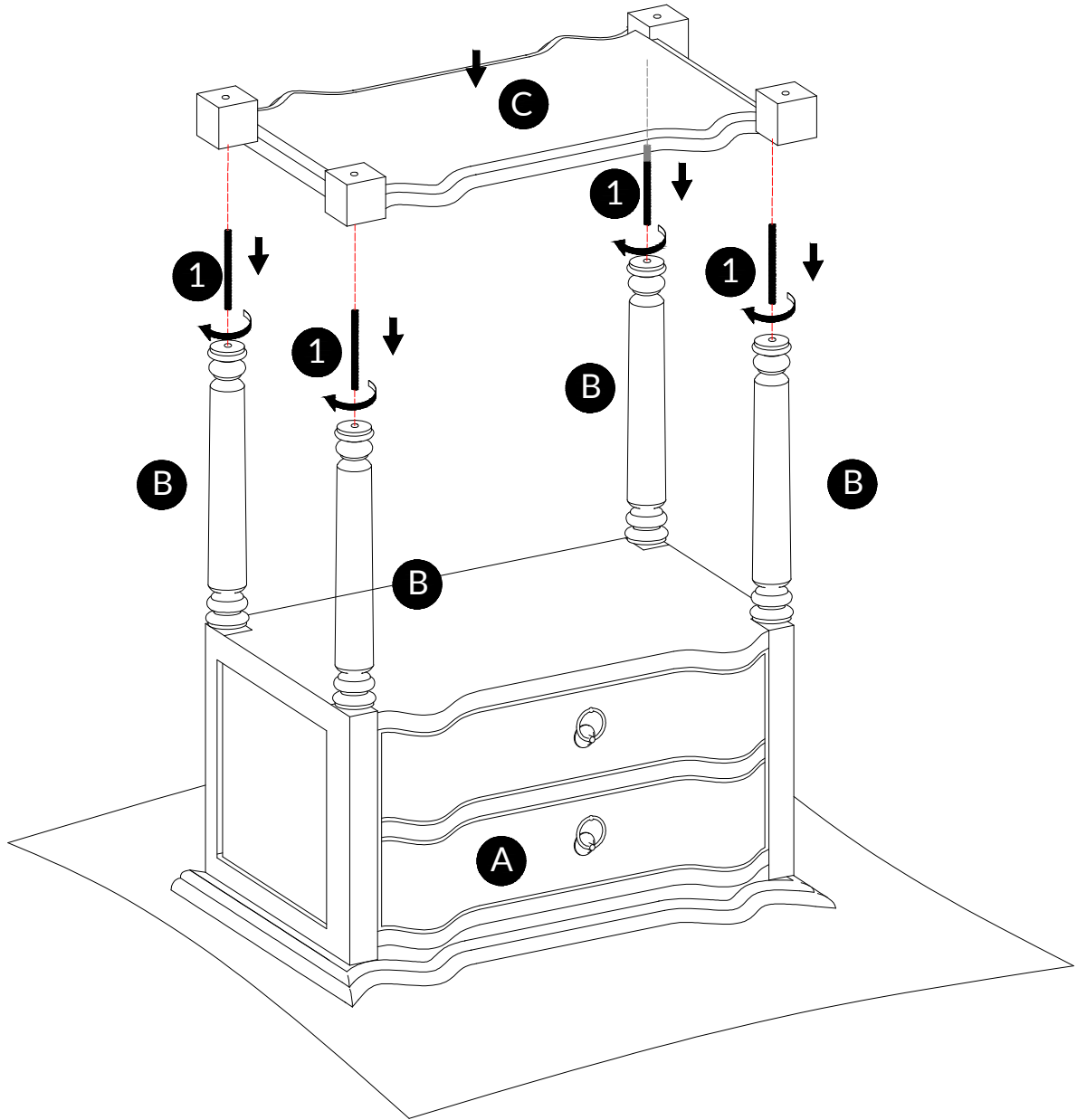
Hardware List

 <p>x4+1</p> <p>M8x90mm</p>	<p>2</p>  <p>x2</p>	<p>3</p>  <p>x1</p>

Step 1

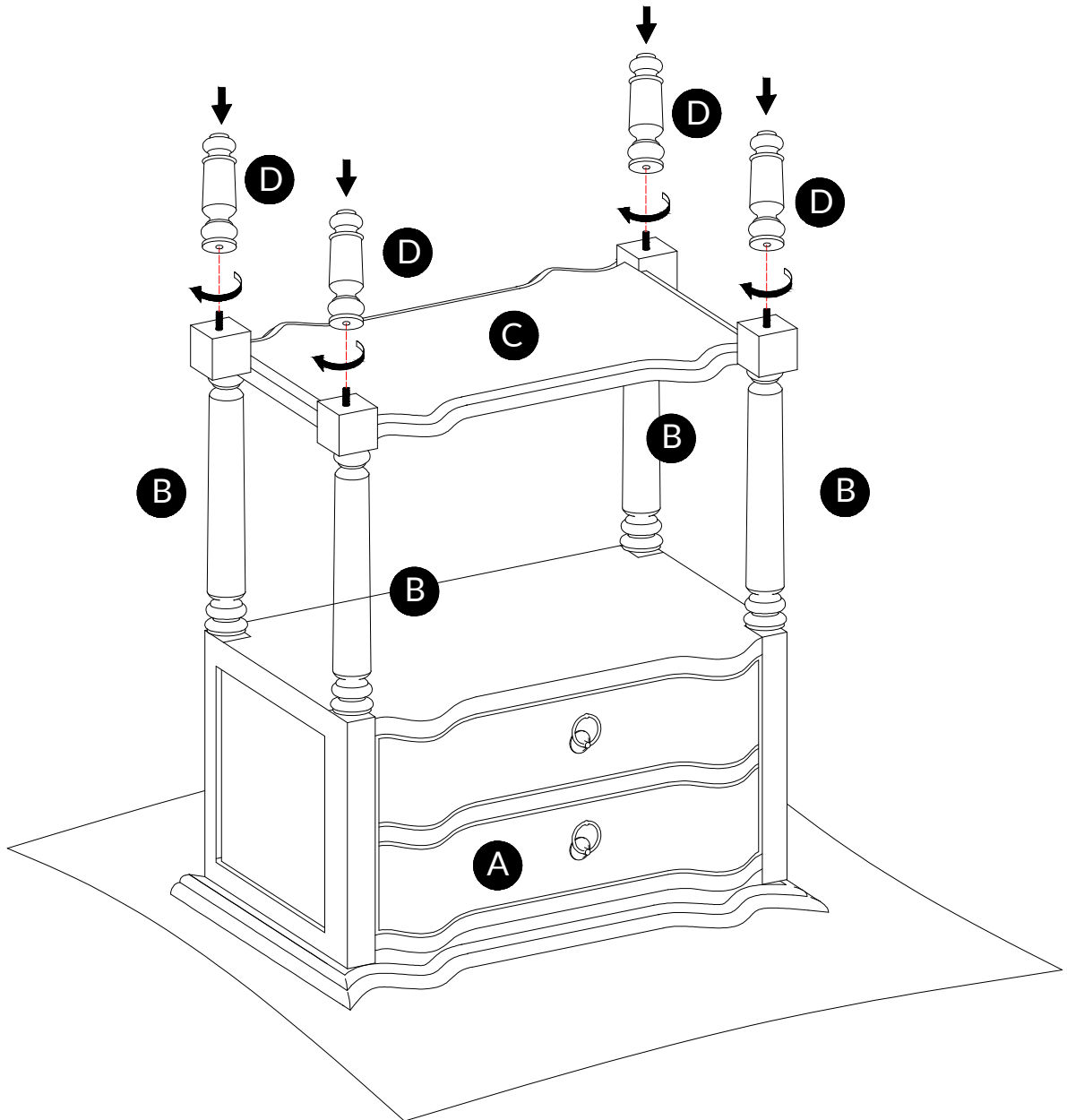


Step 2

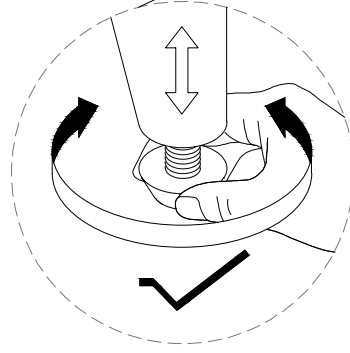
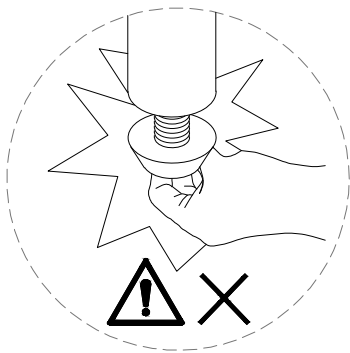
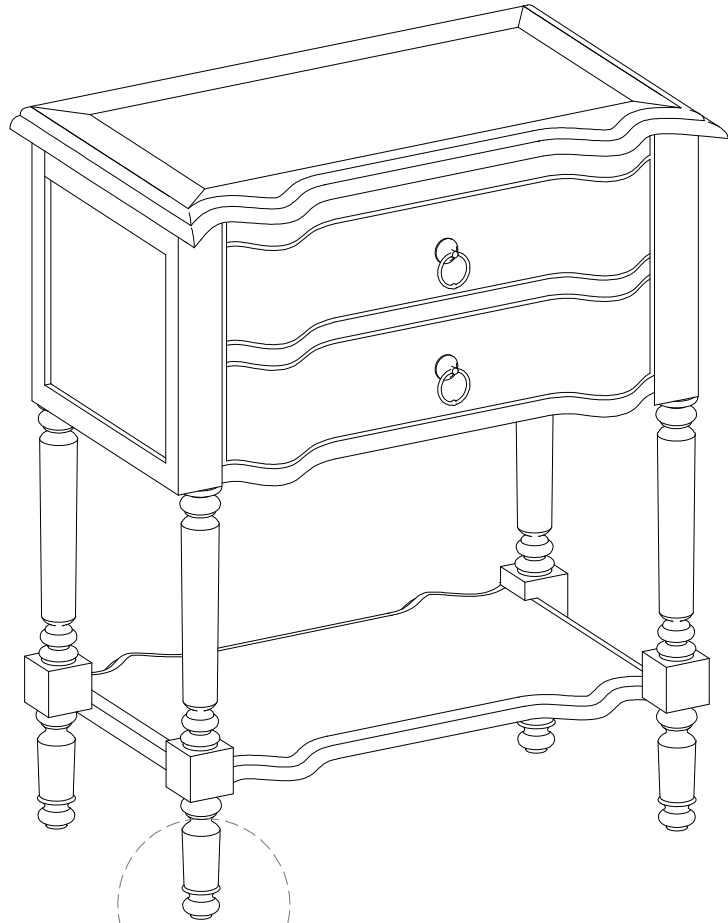


1	x4
M8x90mm	

Step 3

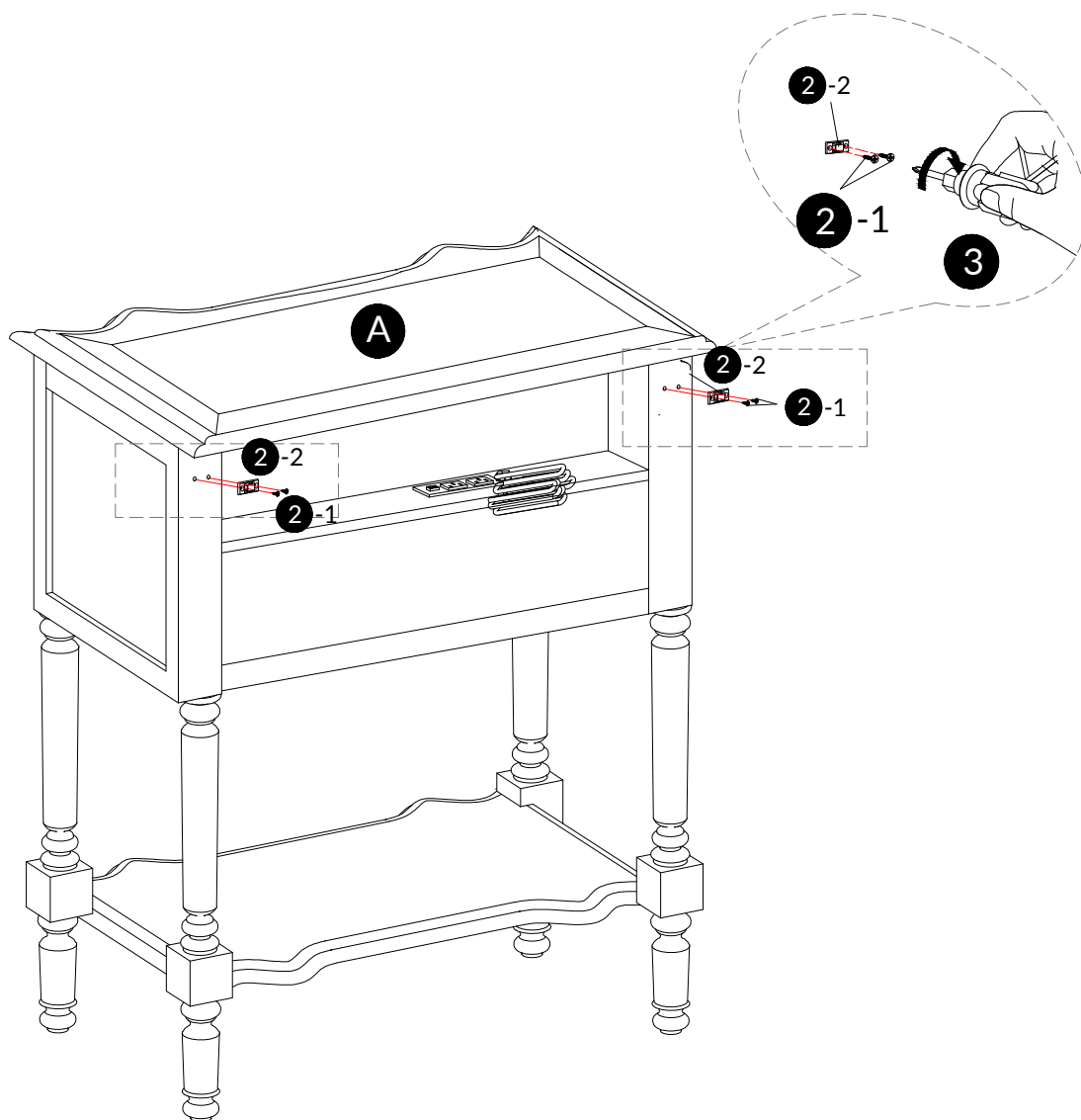


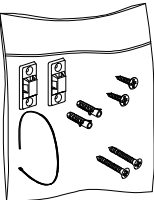

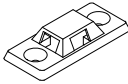
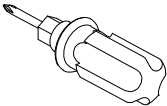
Step 4



Step 5

Use screw ②-1 to attach plastic bracket ②-2 to panel A, tighten screw ②-1 with screwdriver ③.

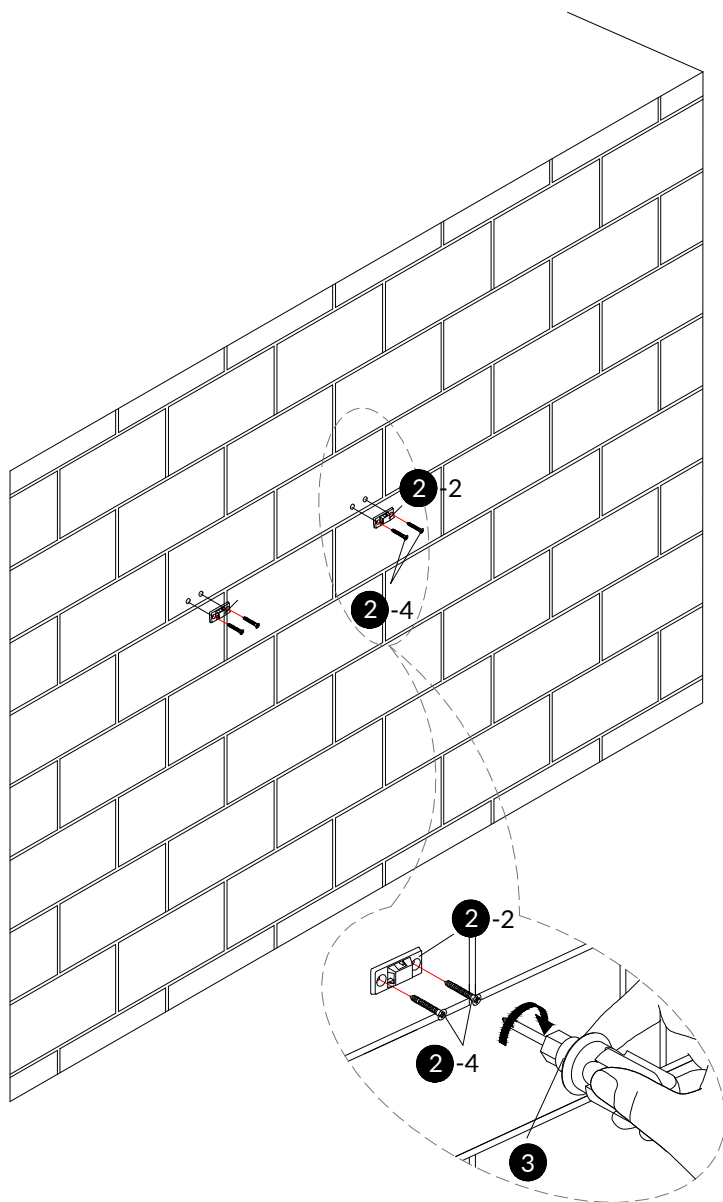


②	x2	②-1	x4	②-2	x2	③	x1
			M3.5x14mm				

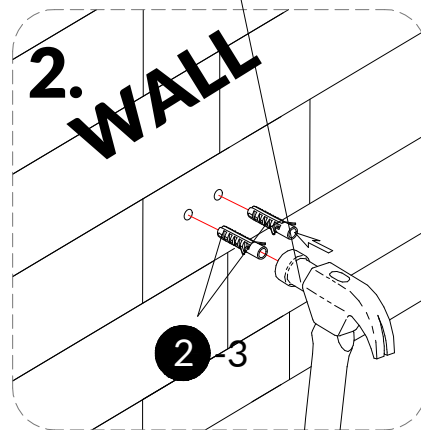
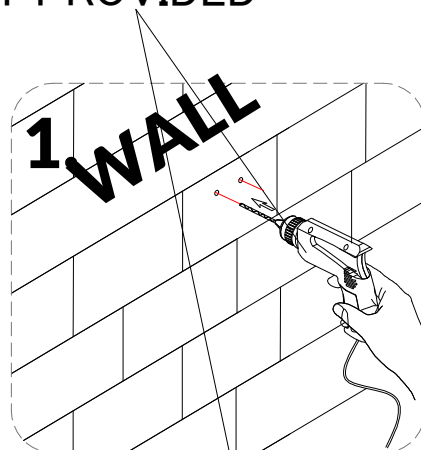
Step 6

1. Mark the position on the wall, that corresponds to the location of bracket **2**-2 on the panel **A**; Drill and insert the expandable screw **2**-3 by hammer.

2. Assemble the bracket **2**-2 to the wall. Align the hole in the **2**-2 bracket with the expandable screw **2**-3, use screw **2**-4 to attach it, tighten screw **2**-4 with screwdriver **3**.

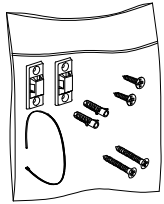



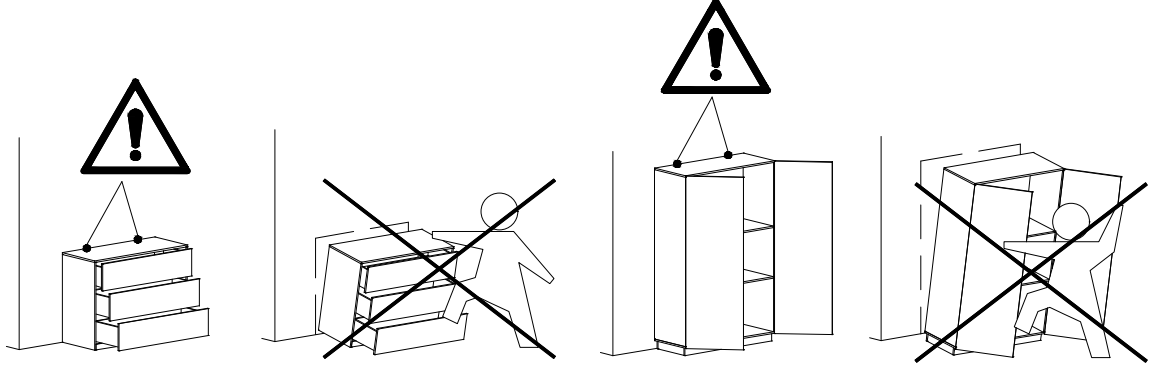
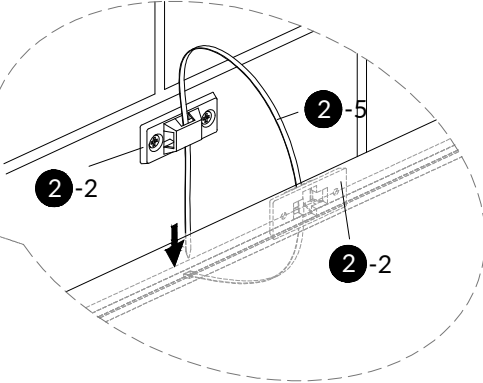
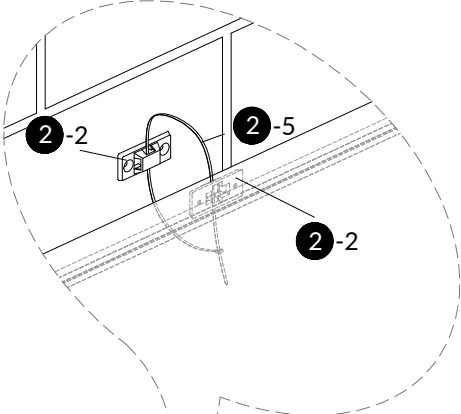
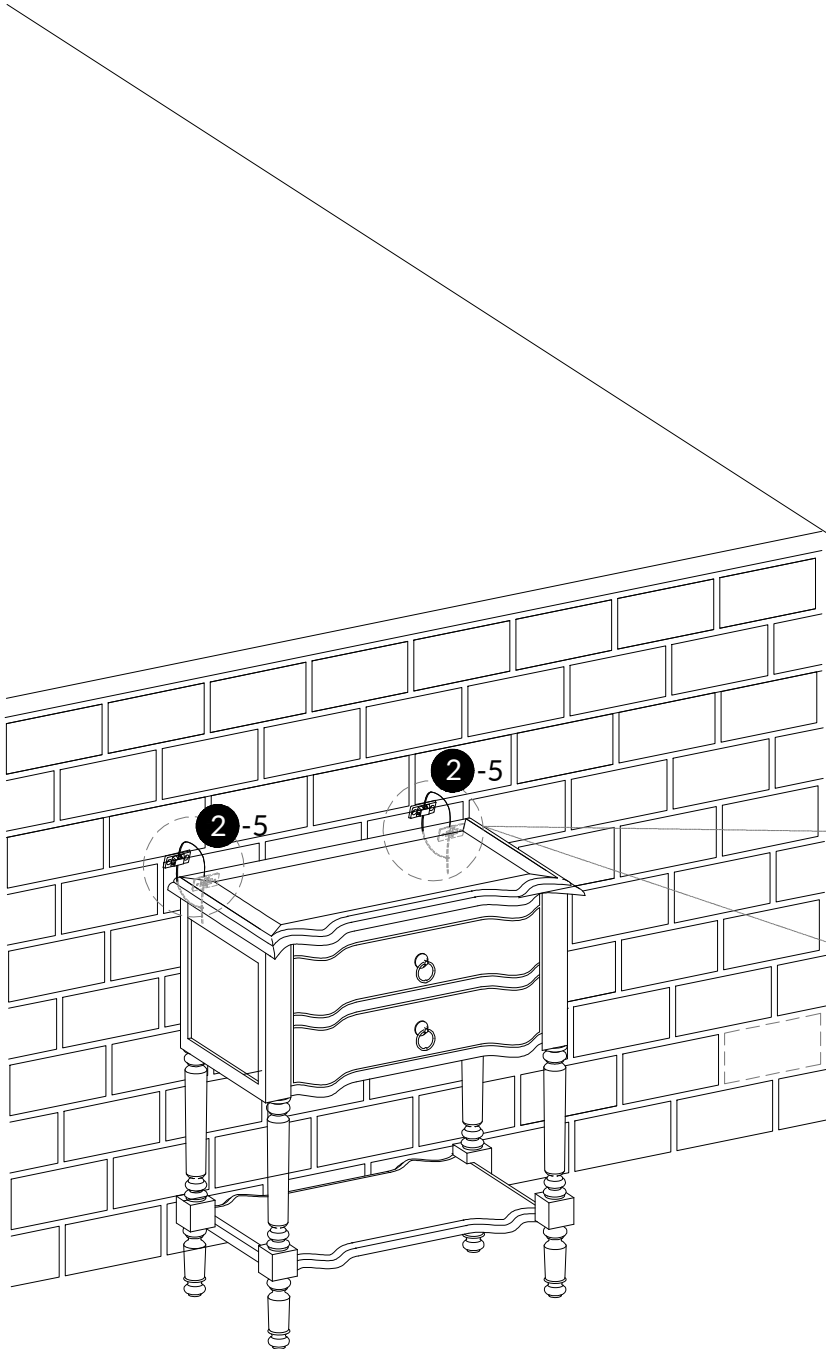
NOT PROVIDED



2	x2	2-2	x2	2-3	x4	2-4	x4	3	x1
						M4x35mm			

Step 7

2	x2	2-5	x2
			



WARRANTY

- We strive to offer quality products, and we also try our best to satisfy every customer who orders from us with products or services as needed.
- We provide 30 days warranty starting from the time you receive the item. Each customer must provide a record of their orders such as the order number, or item receipt for any items that are out of the warranty period you may also still receive.
- Replacement parts by purchasing them from our company if they are available.
- For return, please check the return policy with the retailer or market place you bought from

**Appreciate your purchasing from us.
Pop up your life by our furniture piece!**