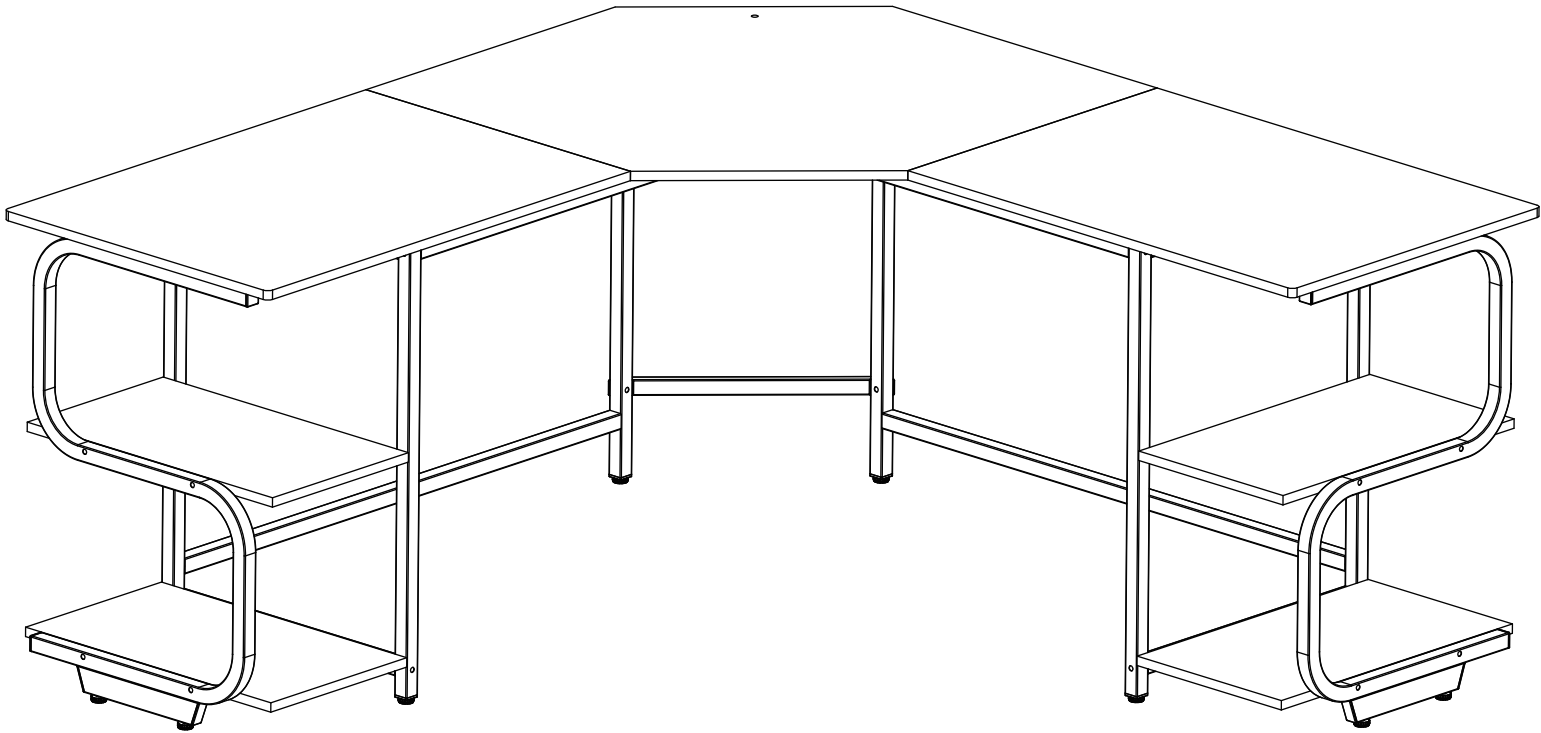


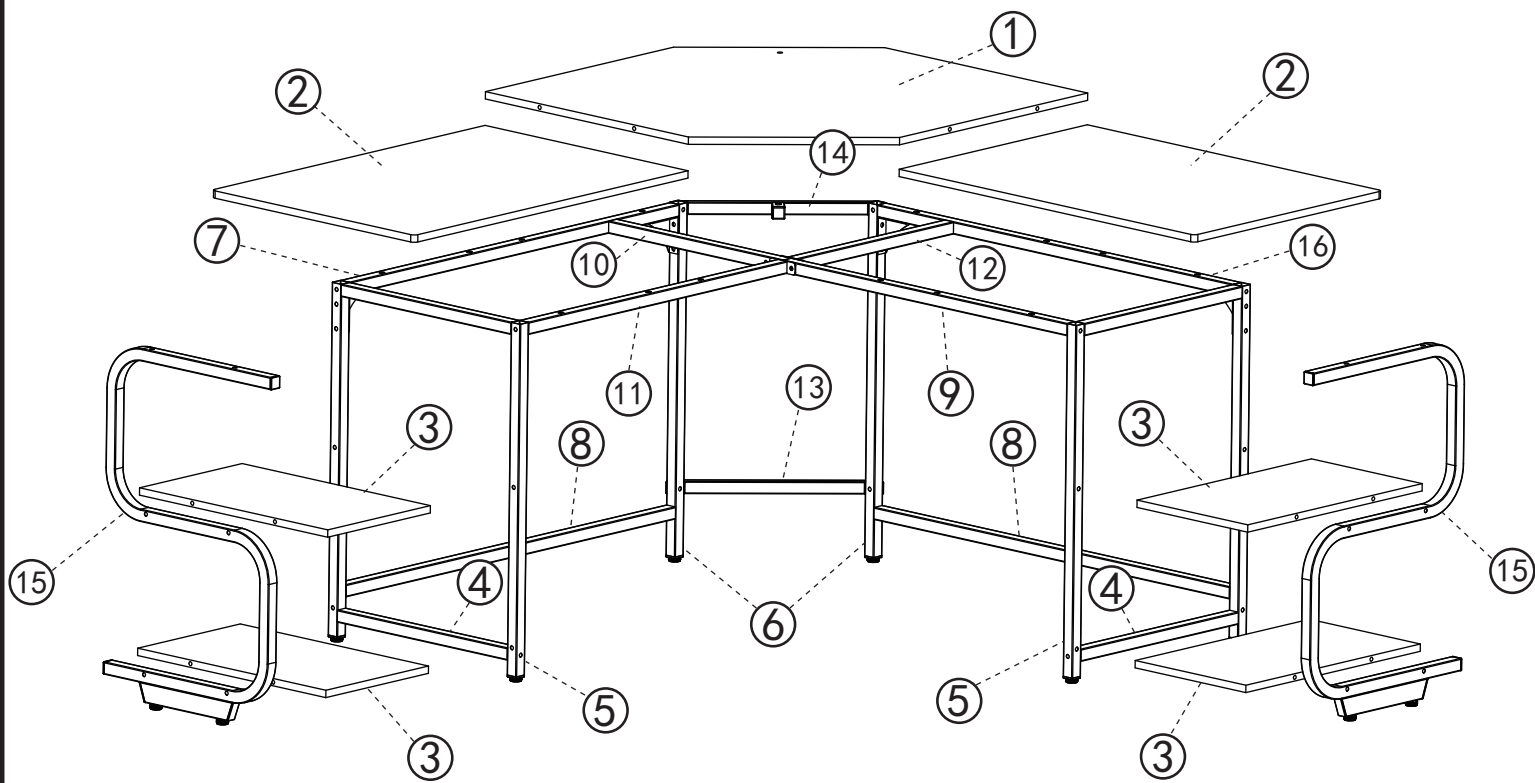
INSTALLATION MANUAL

Model : VD-Cor-SS

V2.1



Build Your Dream House!

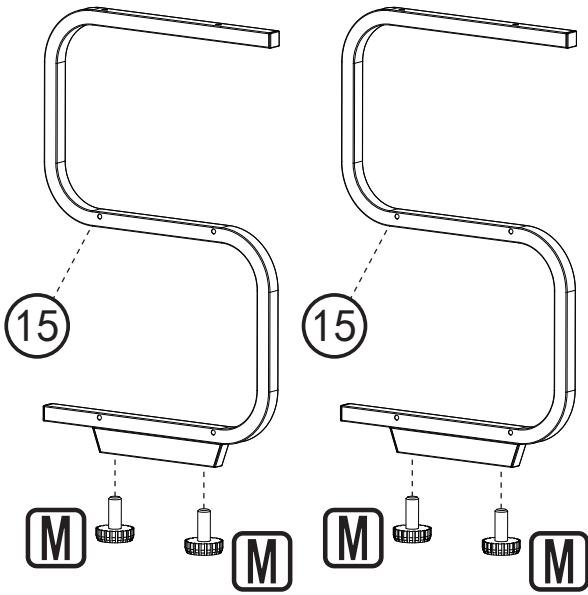


①x1 	②x2 	③x4 	④x2
⑤x2 	⑥x2 	⑦x1 	⑧x2
⑨x1 	⑩x1 	⑪x1 	⑫x1
⑬x1 	⑭x1 	⑮x2 	⑯x1

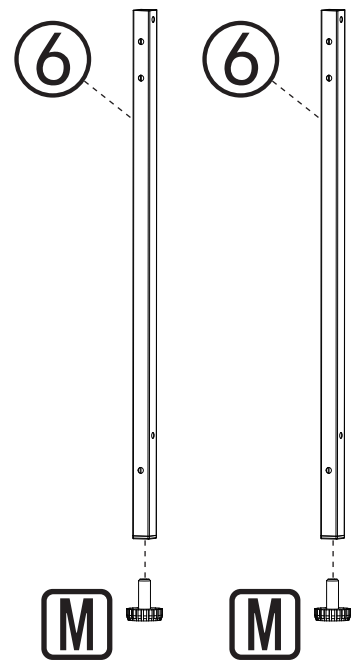
C x14 M6x45	D x32 M6x35	E x2 M6x10	F x12 	G x4 	L x16 M6x10	M x10 	H x2 	
---------------------------	---------------------------	--------------------------	------------------	-----------------	---------------------------	------------------	-----------------	--

Pre-Steps

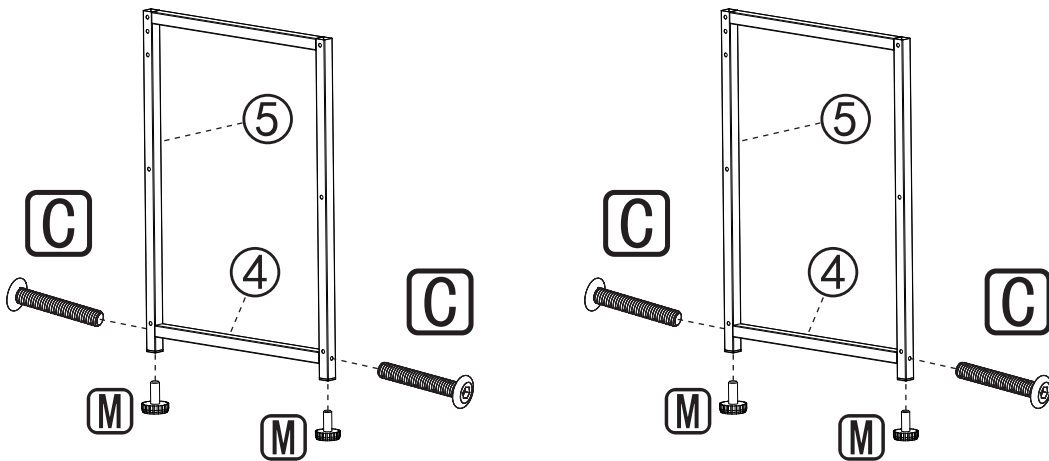
Step a



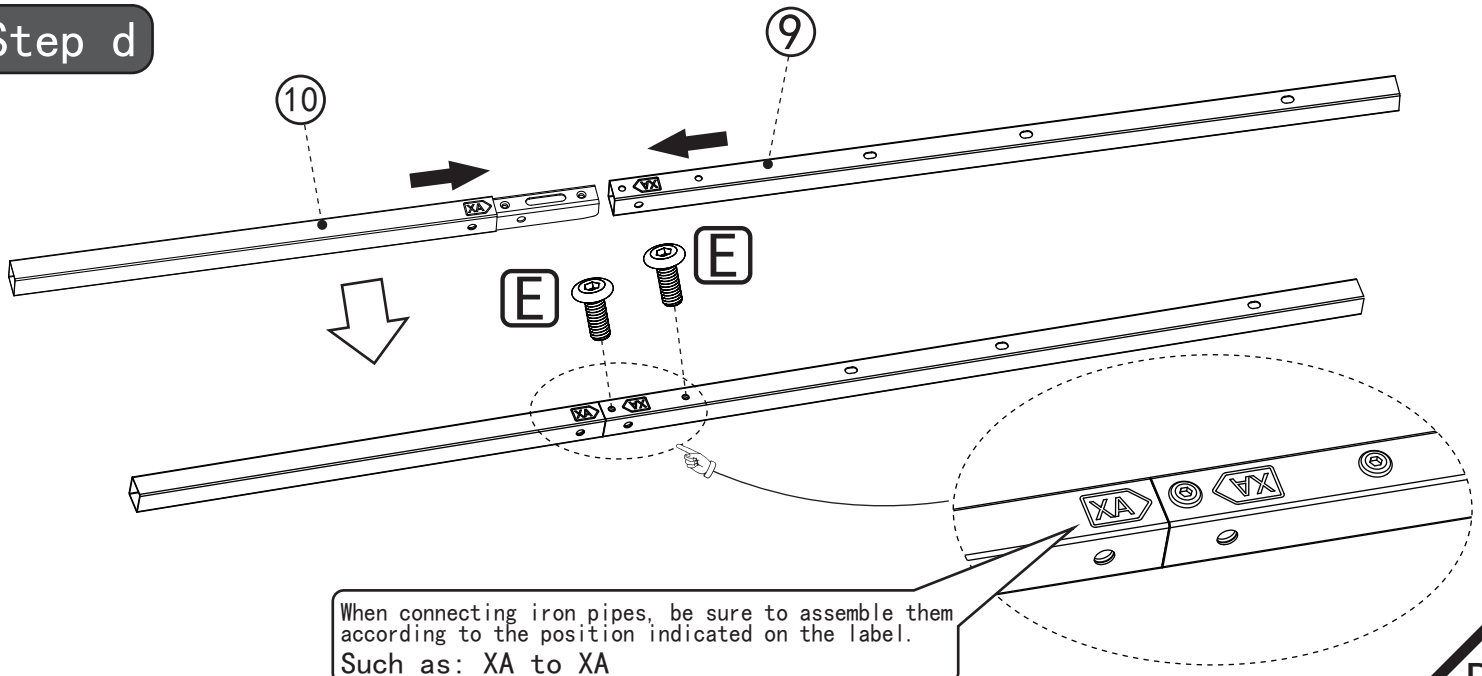
Step b



Step c

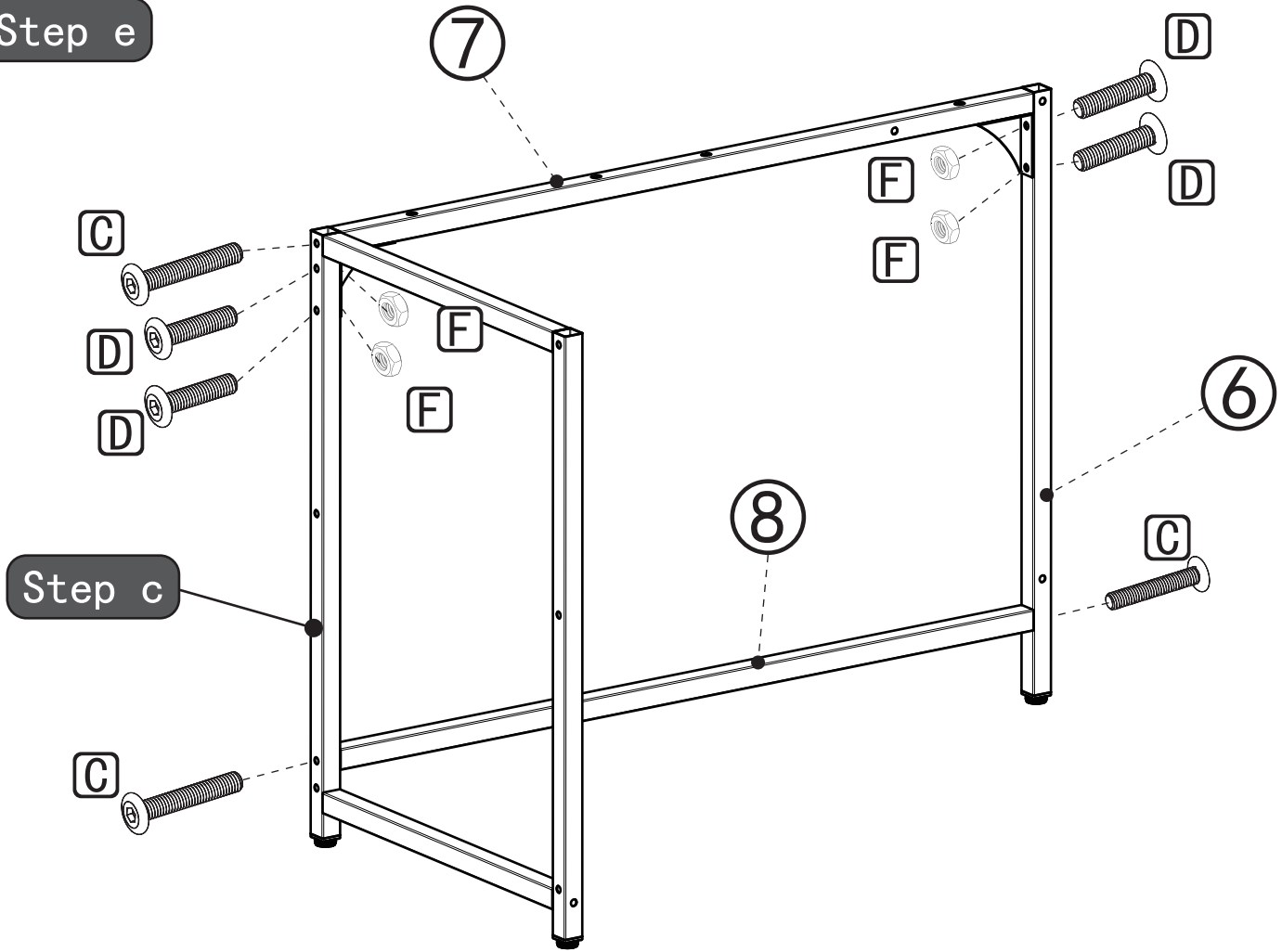


Step d



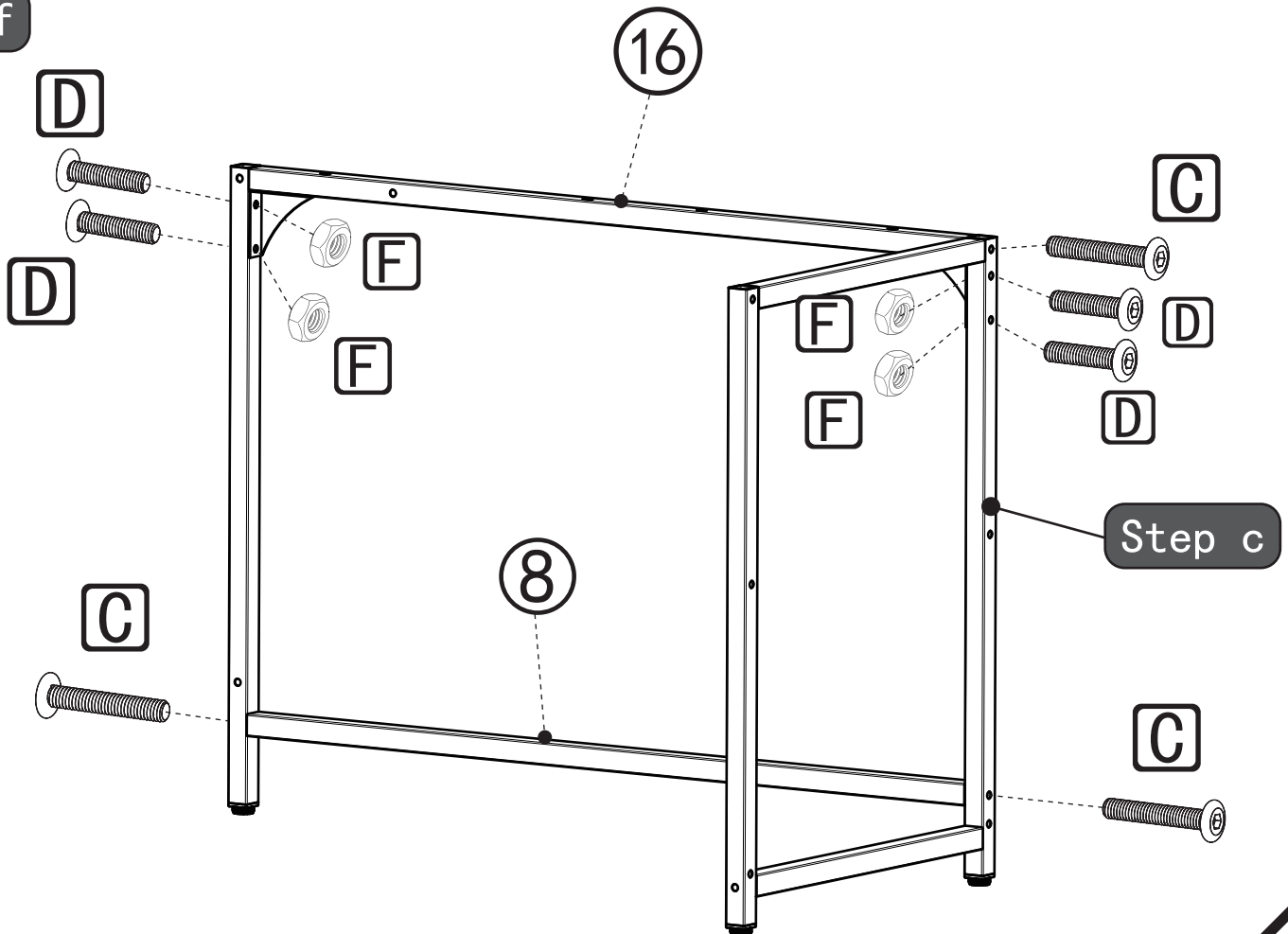
Pre-Steps

Step e



Step c

Step f

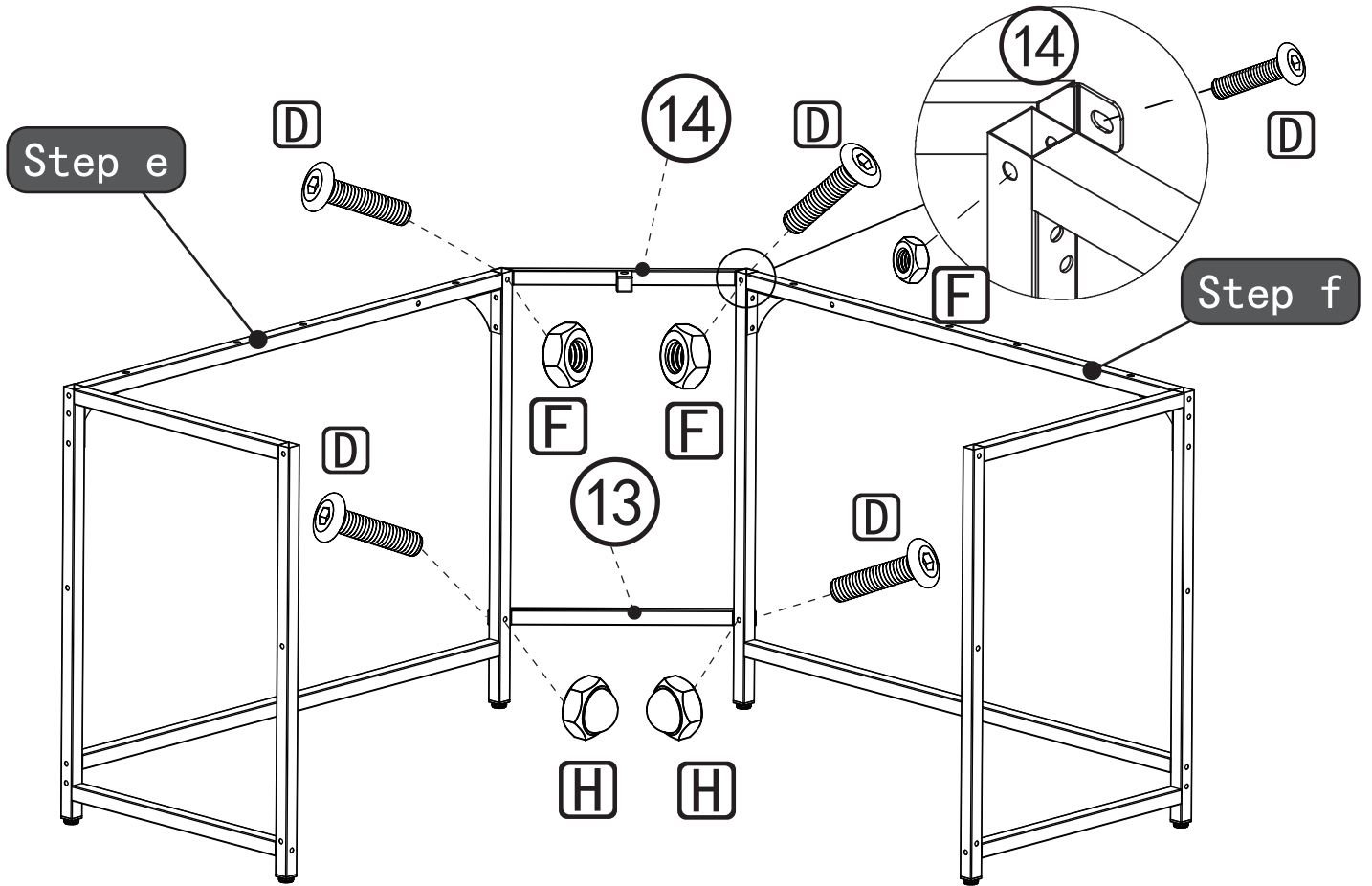


Installation tips:

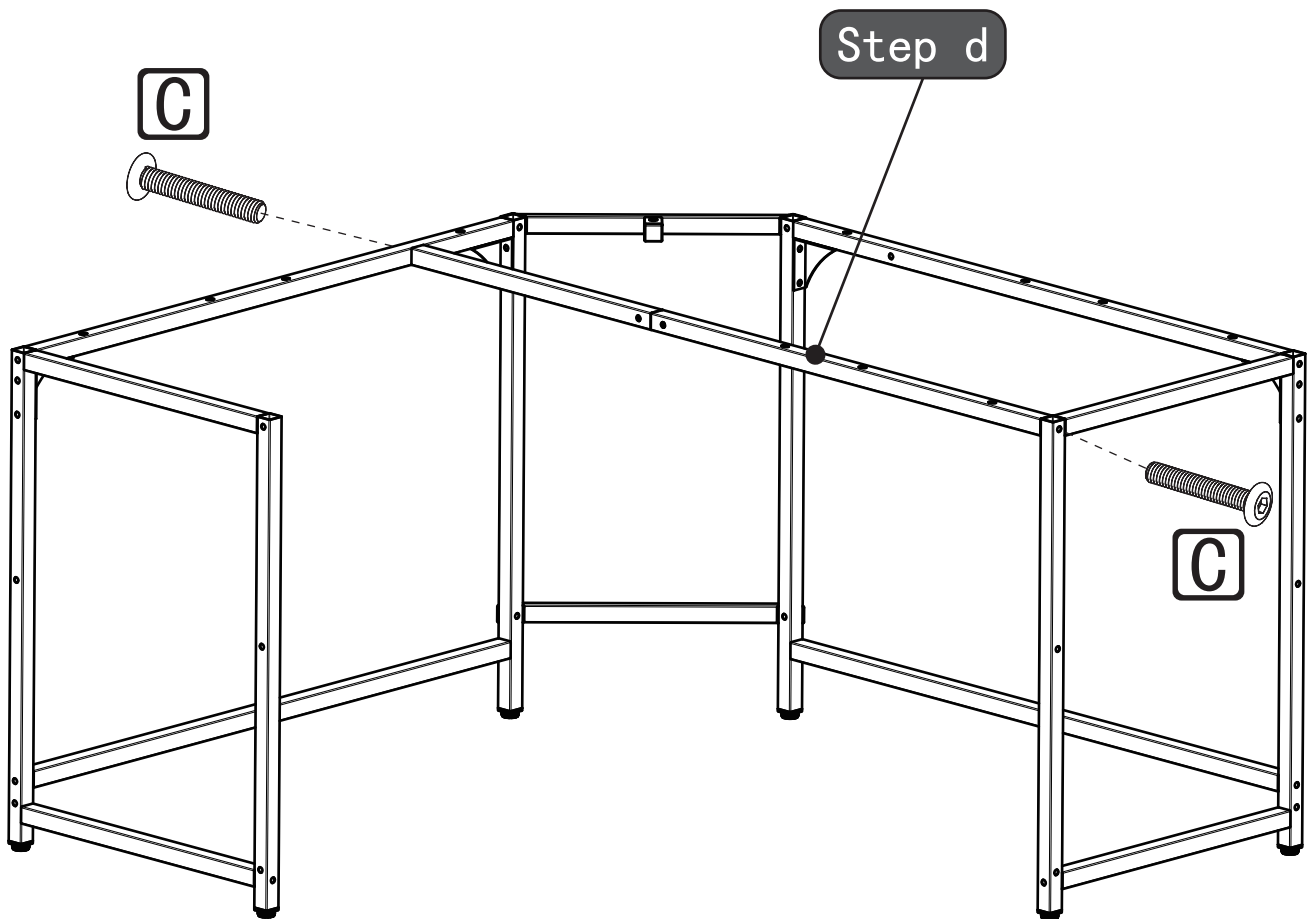
★ Please distinguish all parts according to the instruction before assembly.

★ Take note that screws can't be tightened until finishing the whole assembling.

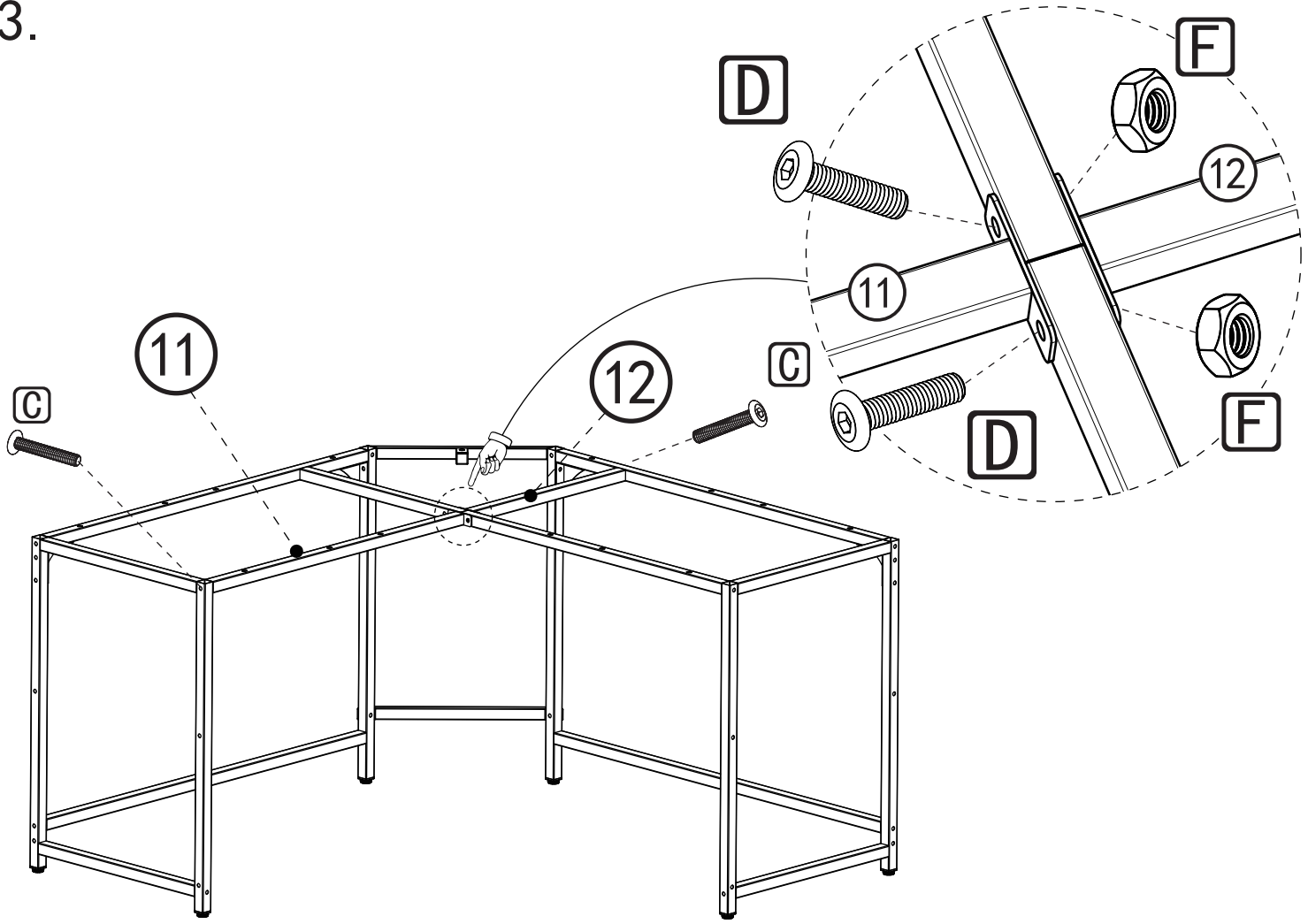
1.



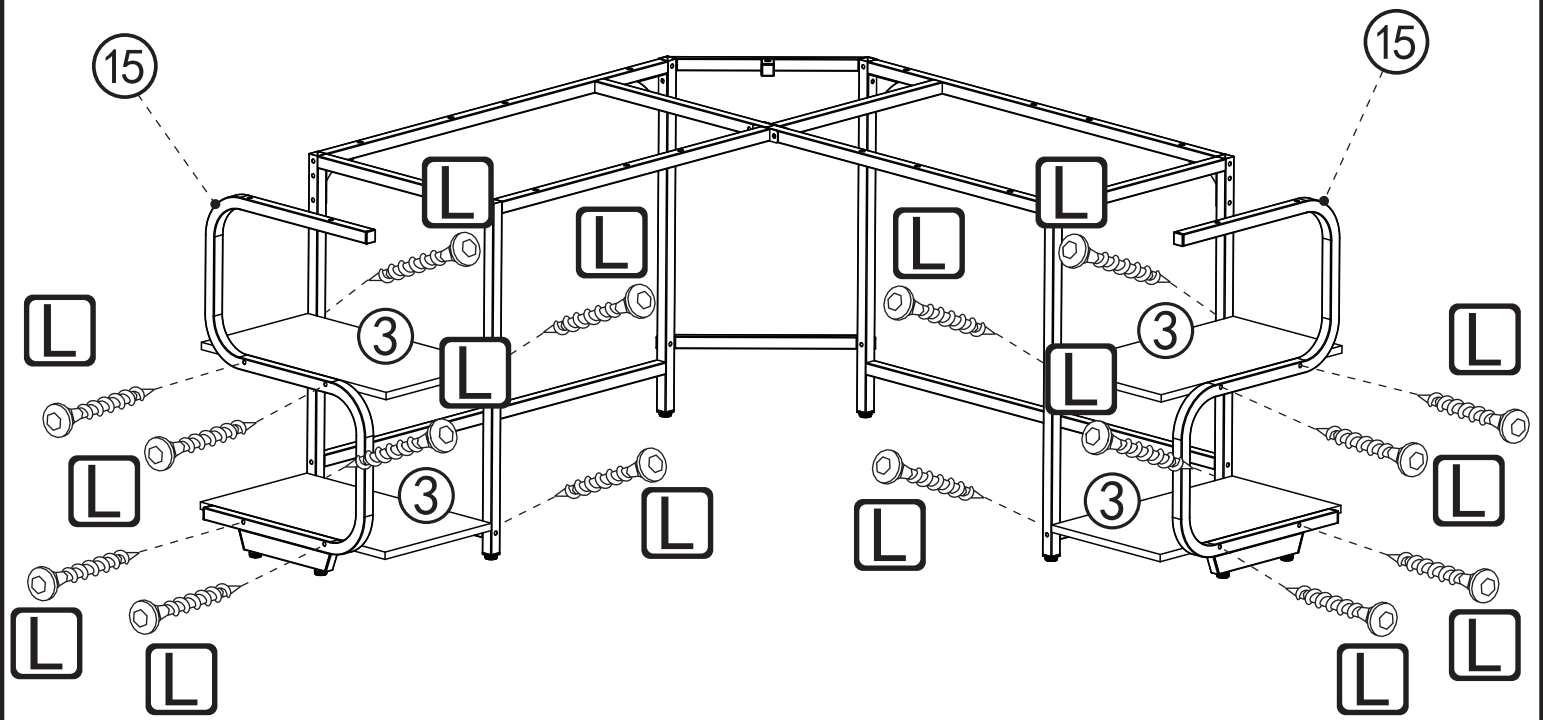
2.



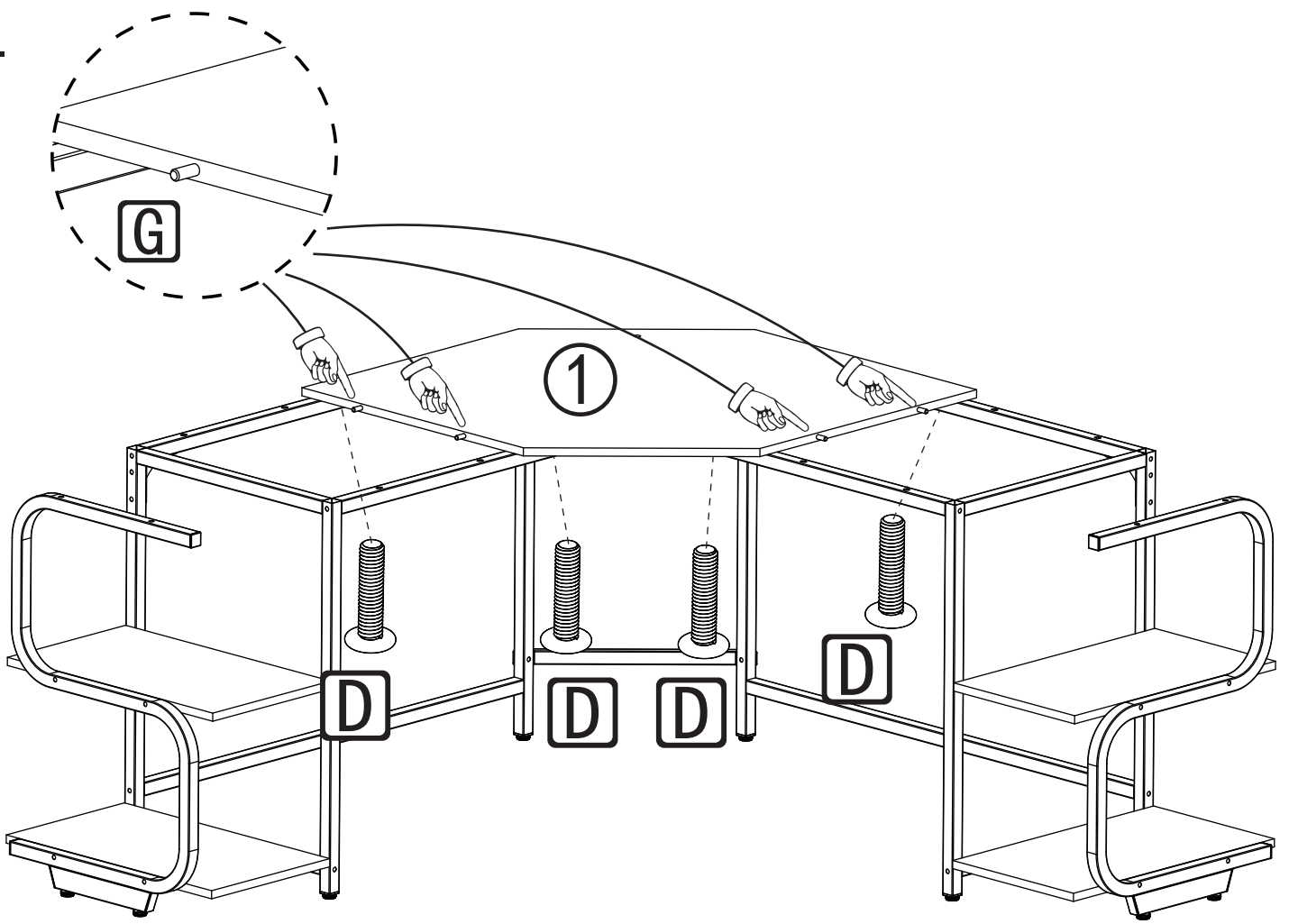
3.



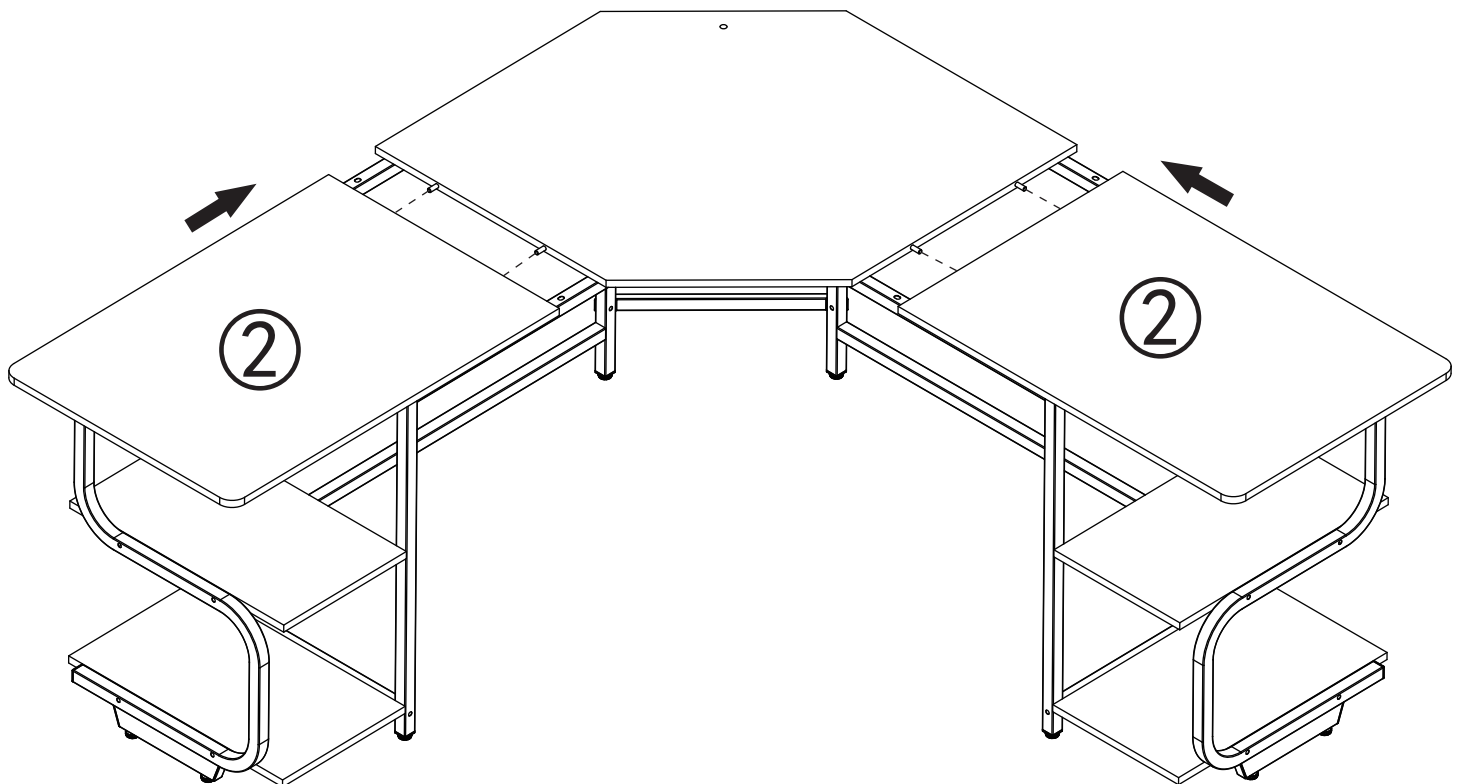
4.



5.

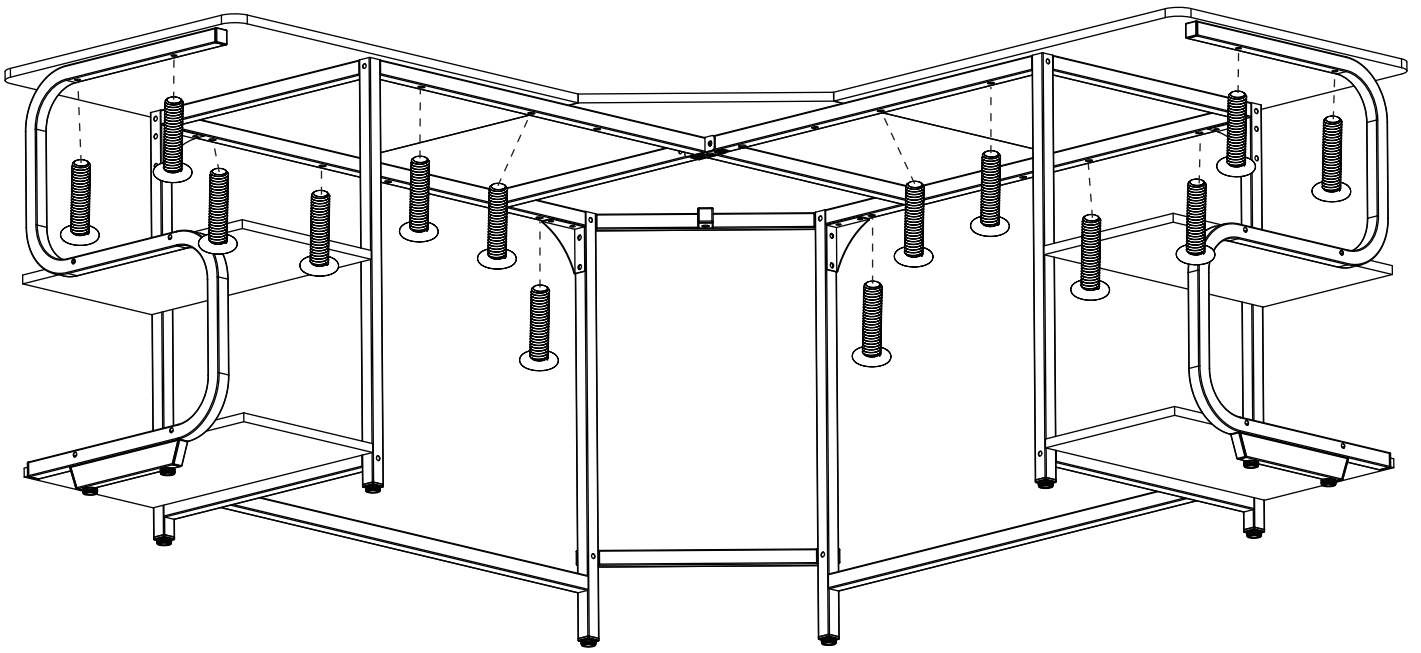


6.



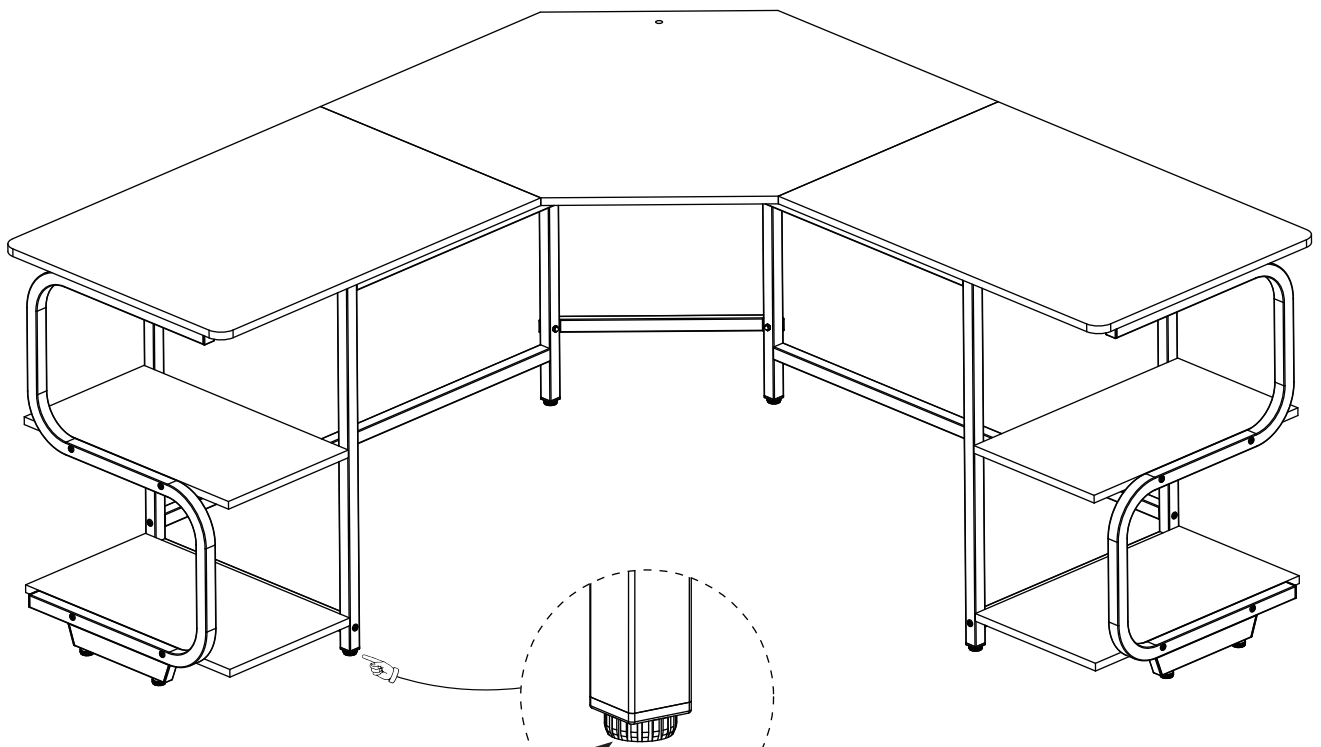
7.

Dx14



8.

Now please tighten all the screws and the whole installation is completed!



Adjust the height of the shelf leg by rotating the adjustment leg pad to make the table stable.