

ASSEMBLY INSTRUCTION

ASSEMBLY TIPS:

- 1.Remove hardware from box and sort by size.
- 2.Please check to see that all hardware and parts are present prior to start of assembly.
- 3.Please follow attached instructions in the same sequence as numbered to assure fast & easy assembly.

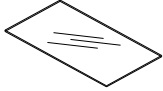
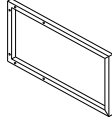
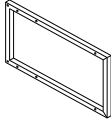




Warning!!






- 1.Don't attempt to repair or modify parts that are broken or defective. Please contact the store immediately.
- 2.This product is for home use only and not intended for commercial establishment.

ASSEMBLY TIME PER UNIT: 25 MINUTES

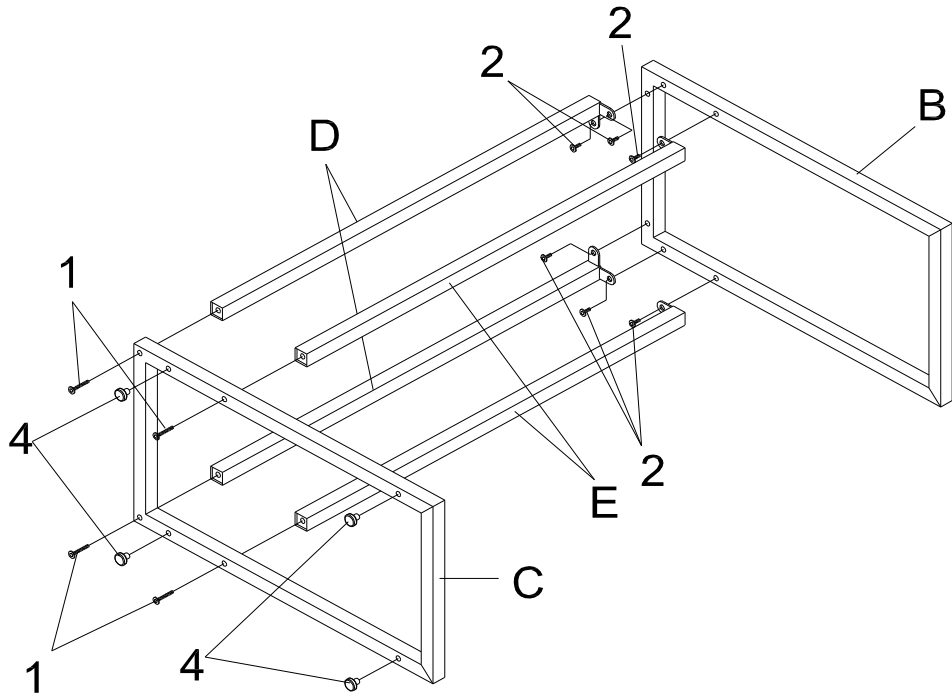
PARTS IDENTIFICATION

A				B			
TOP GLASS		1PC		TOP FRAME		1PC	
C				D			
BOTTOM FRAME		1PC		BACK CROSSBAR		2PCS	
E							
FRONT CROSSBAR		2PCS					

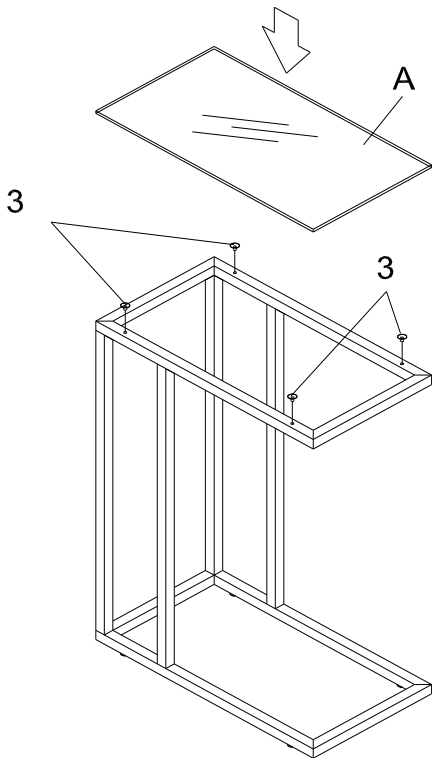
HARDWARE PACKAGE

Z	DESCRIPTION	FIGURE	Q'TY
1	BOLT		4PCS
2	SCREW		6PCS
3	SUCTION CUP		4PCS
4	FLOOR PROTECTOR		4PCS
5	ALLEN WRENCH		1PC

STEP 1



STEP 2



FINISH

