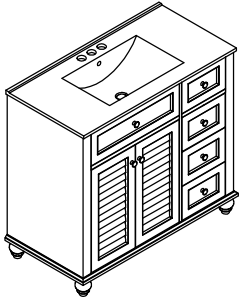


ASSEMBLY INSTRUCTIONS

ITEM # : 20JLVNVT36BL-04
20JLVNVT36GRYBL-04

Thank you for purchasing this quality Product. Be sure to check all packing material carefully for small parts, which may have come loose inside carton during shipment. Identify and count all parts and compare with the parts list below.









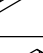







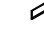

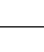
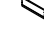
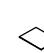


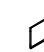
ASSEMBLY INSTRUCTION:

1. Remove hardware from box and sort by size.
2. Please check to see that all hardware and parts are present prior start of assembly.
3. Please follow attached instruction in the same sequence as numbered above fast and easy assembly.

WARNING!

1. Do not attempt to repair or modify parts that are broken or defective. Please contact the store immediately.
2. This product is for home use only and not intended for commercial establishments.
3. Two persons are required for assembly.
4. Approximate assembly time 1/2 hours.
5. Component parts and fittings contained in the box. Please sort out all parts before you begin to assemble the item. This is to make sure you always use the correct part.
6. It is **STRONGLY RECOMMENDED** that you **ANCHOR** this product. Tying furniture can cause serious injuries and death. To prevent your furniture from tipping forward it is strongly recommended that you securely attach this product to a wall or other solid surface, using the anchor straps provided appropriate fixings.

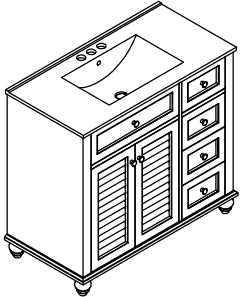
No.	Component	Q'ty
1	 Side Panel-Left	1
2	 Side Panel-Right	1
3	 Middle Panel #1	1
4	 Front Rail #1 - Above	1
5	 Front Rail #2 - Above	1
6	 Back Panel - Up	1
7	 Back Panel - Low	3
8	 Bottom Panel	1
9	 Leg	4
10	 Door - Left	1
11	 Door - Right	1

No.	Component	Q'ty
12	 Shelf	1
13	 Front Drawer Panel Up	1
14	 Back Drawer Panel Up	1
15	 Sides Drawer Panel up	1
16	 Sides Drawer Panel Up	1
17	 Bottom Drawer Panel Up	2
18	 Front Drawer Panel Up	1
19	 Back Drawer Panel Up	1
20	 Sides Drawer Panel up	1
21	 Sides Drawer Panel Up	1
22	 Sink	1

ASSEMBLY INSTRUCTIONS

ITEM # : 20JLVNVT36BL-04
20JLVNVT36GRYBL-04

Thank you for purchasing this quality Product. Be sure to check all packing material carefully for small parts, which may have come loose inside carton during shipment. Identify and count all parts and compare with the parts list below.











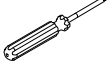
ASSEMBLY INSTRUCTION:

1. Remove hardware from box and sort by size.
2. Please check to see that all hardware and parts are present prior start of assembly.
3. Please follow attached instruction in the same sequence as numbered above fast and easy assembly.

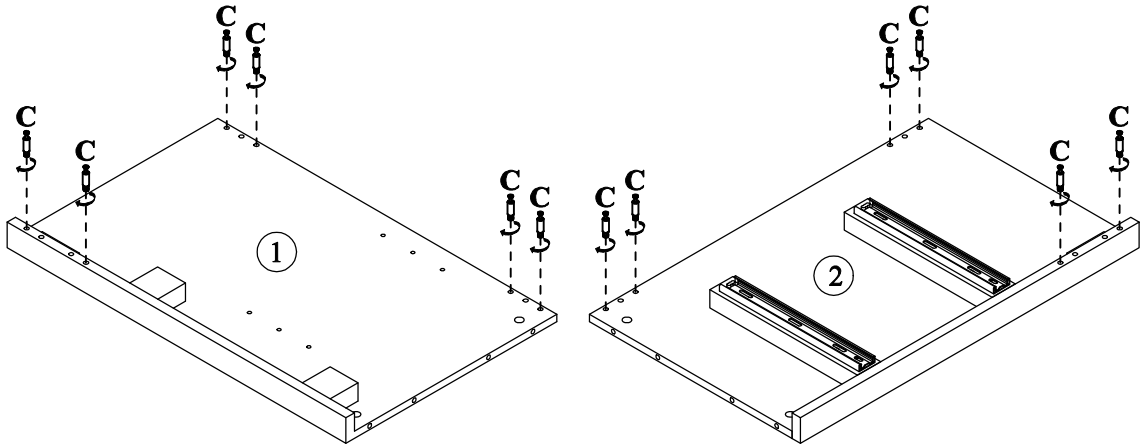
WARNING!

1. Do not attempt to repair or modify parts that are broken or defective. Please contact the store immediately.
2. This product is for home use only and not intended for commercial establishments.
3. Two persons are required for assembly.
4. Approximate assembly time 1/2 hours.
5. Component parts and fittings contained in the box. Please sort out all parts before you begin to assemble the item. This is to make sure you always use the correct part.
6. It is **STRONGLY RECOMMENDED** that you **ANCHOR** this product. Tying furniture can cause serious injuries and death. To prevent your furniture from tipping forward it is strongly recommended that you securely attach this product to a wall or other solid surface, using the anchor straps provided appropriate fixings.

No.	Hardware	Q'ty
A	 Allen Bolts 1/4" x 50	2
B	 Flat Washers 1/4" x 16 x 1	2
C	 Cam Lock Screws	21
D	 Cam Lock	21
E	 Screws $\varnothing 8 \times \varnothing 4 \times 25 \text{mm}$	2
F	 Screws $\varnothing 8 \times \varnothing 4 \times 32 \text{mm}$	16
G	 Handle	7
H	 Screws $\varnothing 5/32" \times 22 \text{mm}$	2
I	 Screws $\varnothing 5/32" \times 32 \text{mm}$	2
J	 Screws $\varnothing 5/32" \times 35 \text{mm}$	3

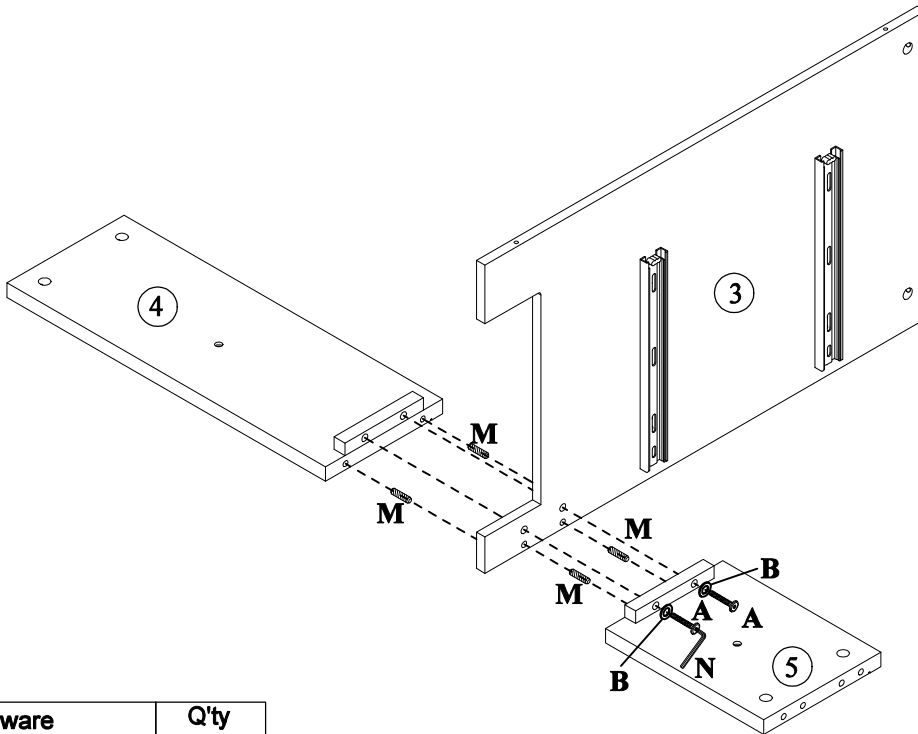
No.	Hardware	Q'ty
K	 Hinges	4
L	 Screws $\varnothing 7 \times \varnothing 3.5 \times 15 \text{mm}$	24
M	 Wooden $\varnothing 8 \times 30 \text{mm}$	20
N	 Allen key	1
O	 Wooden $\varnothing 6 \times 30 \text{mm}$	12
P	 Shelf Support	4
Q	 Screws $\varnothing 7 \times \varnothing 3.5 \times 12 \text{mm}$	4
R	 Anti fall hardware (sets)	1
 Not Included		

Step 1



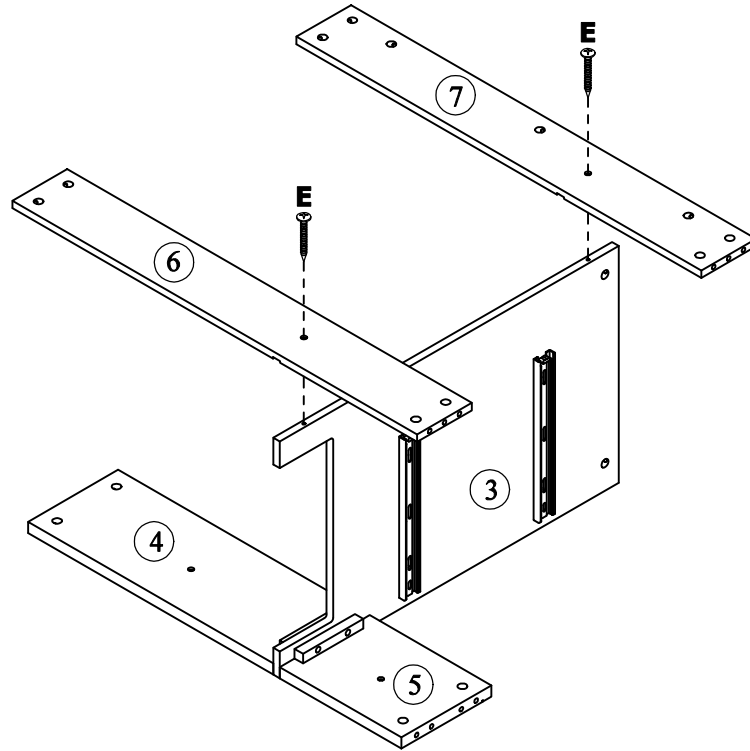
No	Hardware	Q'ty
C	Cam Lock Screws	12

Step 2



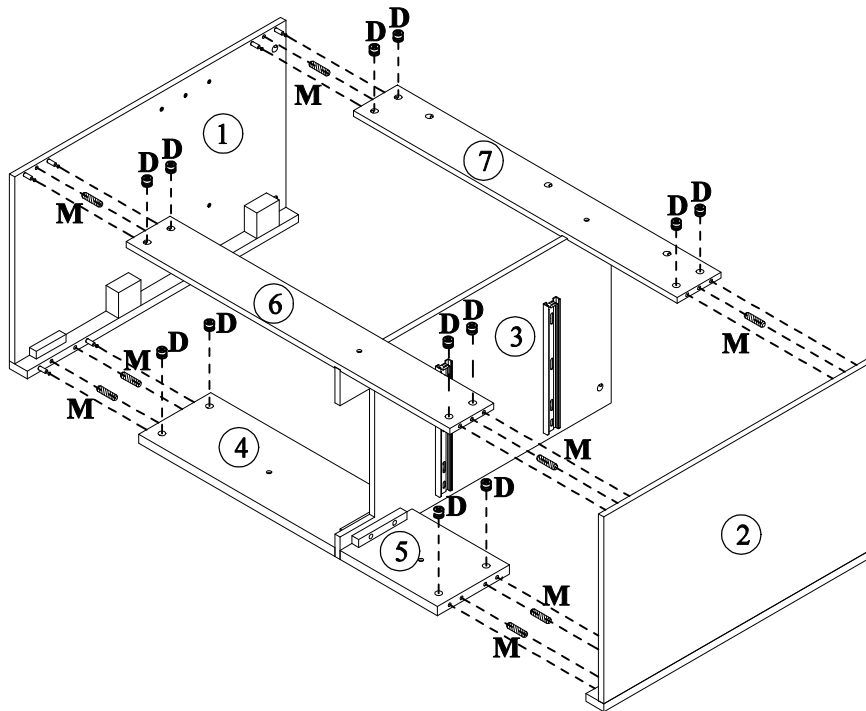
No	Hardware	Q'ty
A	Allen Bolts 1/4" x 50	2
B	Flat Washers 1/4"x16x1	2
M	Wooden ø8x30mm	4
N	Allen key	1

Step 3



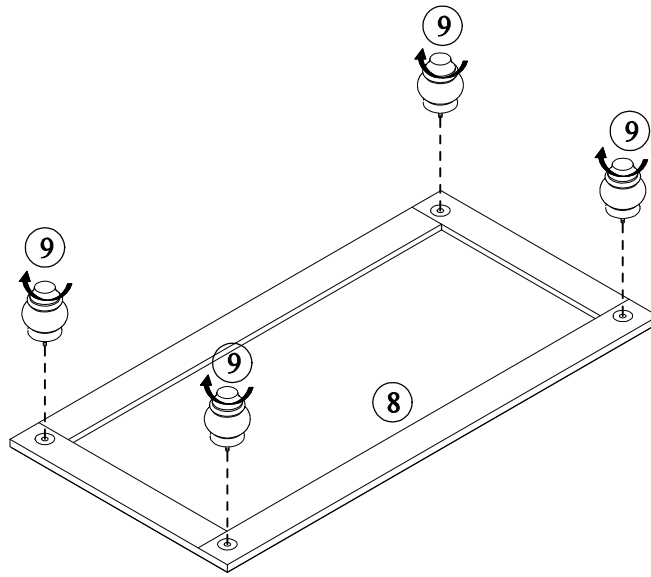
No	Hardware	Q'ty
E	Screws $\varnothing 8 \times \varnothing 4 \times 25 \text{mm}$	2

Step 4

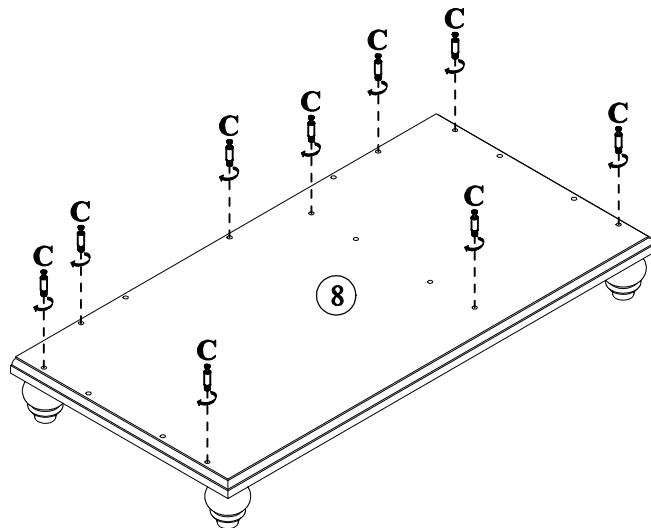


No	Hardware	Q'ty
D	Cam Lock	12
M	Wooden $\varnothing 8 \times 30 \text{mm}$	8

Step 5

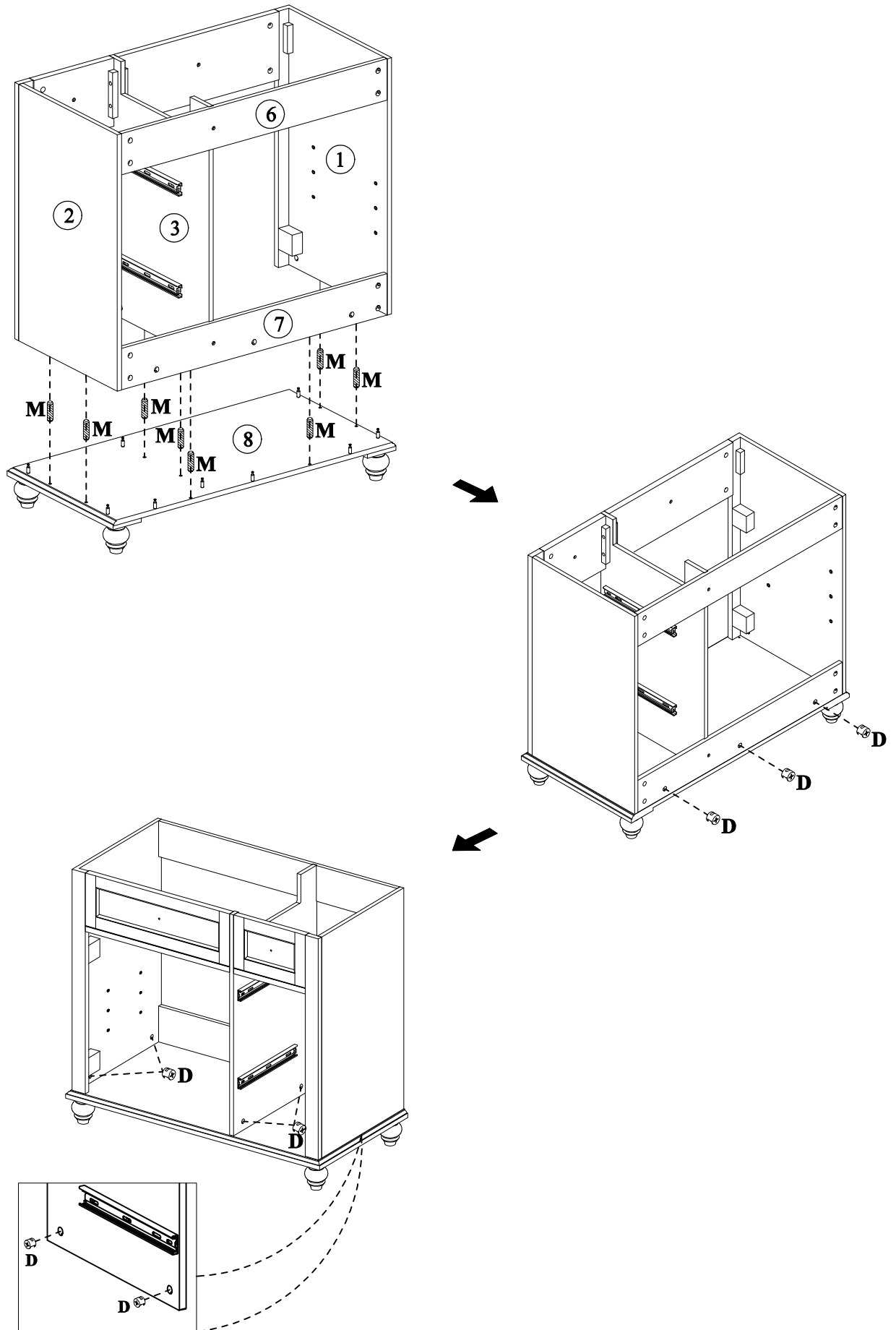


Step 6



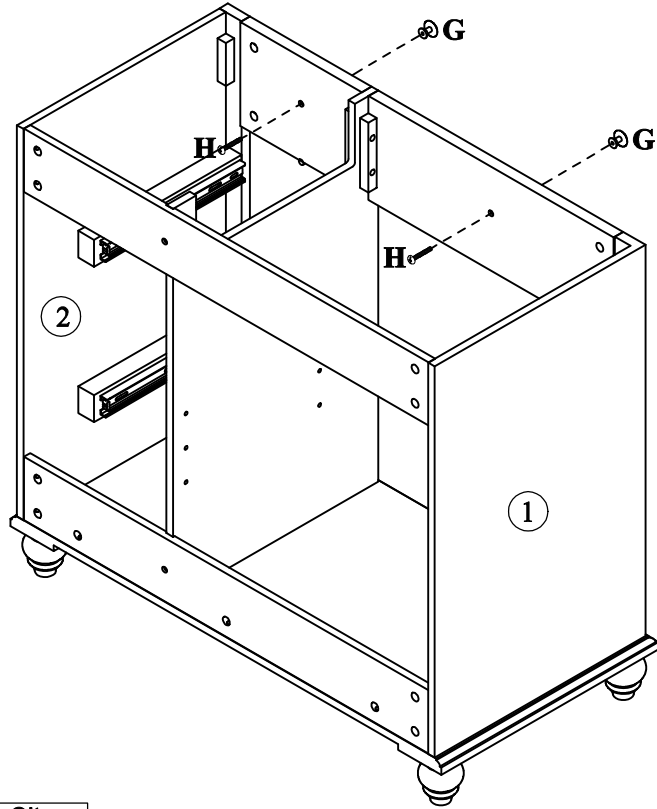
No	Hardware	Q'ty
C	Cam Lock Screws	9

Step 7



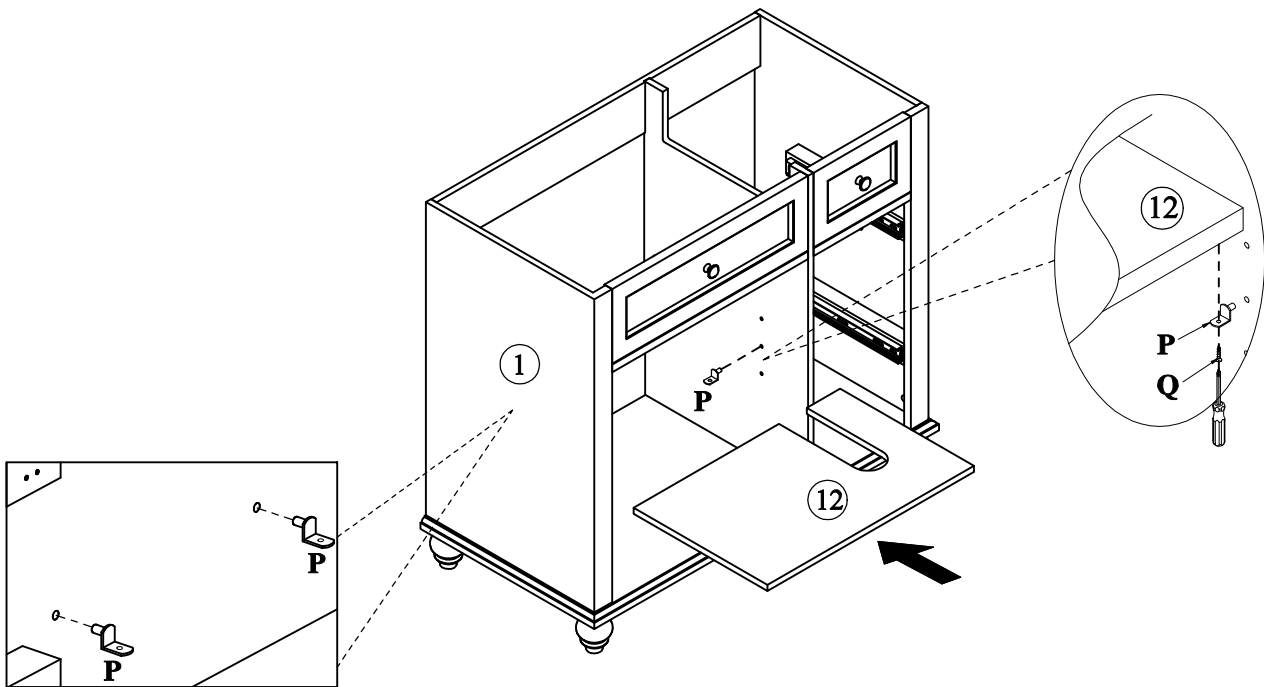
No	Hardware	Q'ty
D	Cam Lock	9
M	Wooden ø8x30mm	8

Step 8



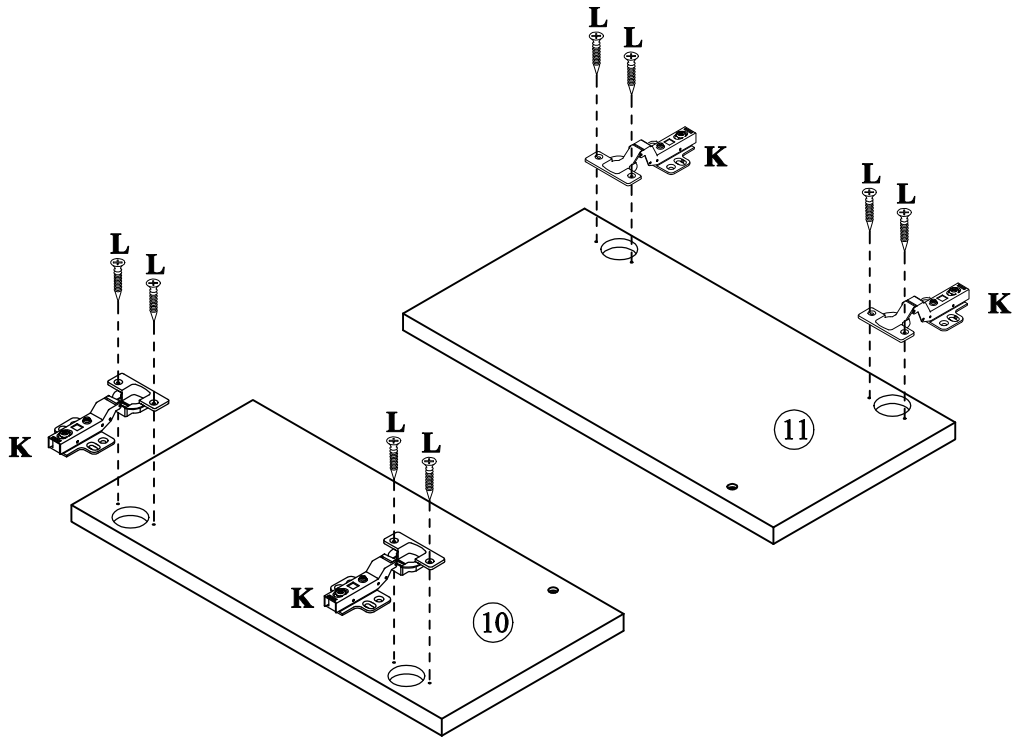
No	Hardware	Q'ty
G	Handle	2
H	Screws $\varnothing 5/32" \times 22\text{mm}$	2

Step 9



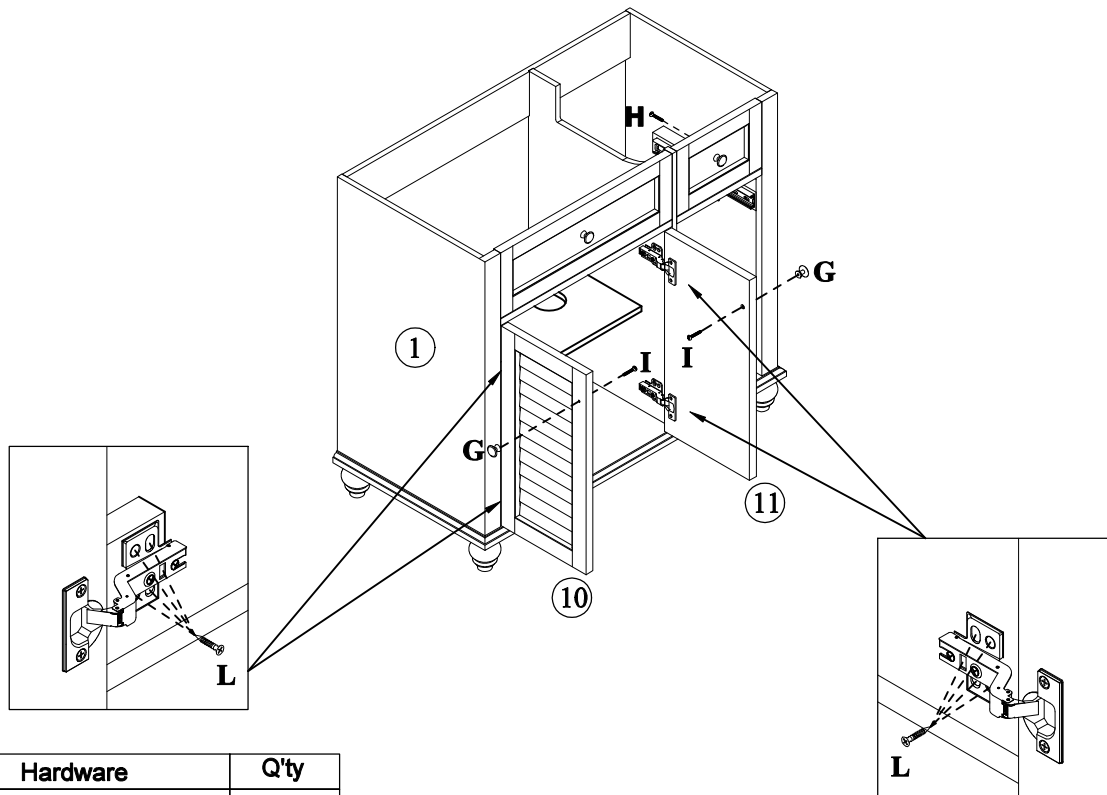
No	Hardware	Q'ty
P	Shelf Support	4
Q	Screws $\varnothing 7 \times \varnothing 3.5 \times 12\text{mm}$	4

Step 10



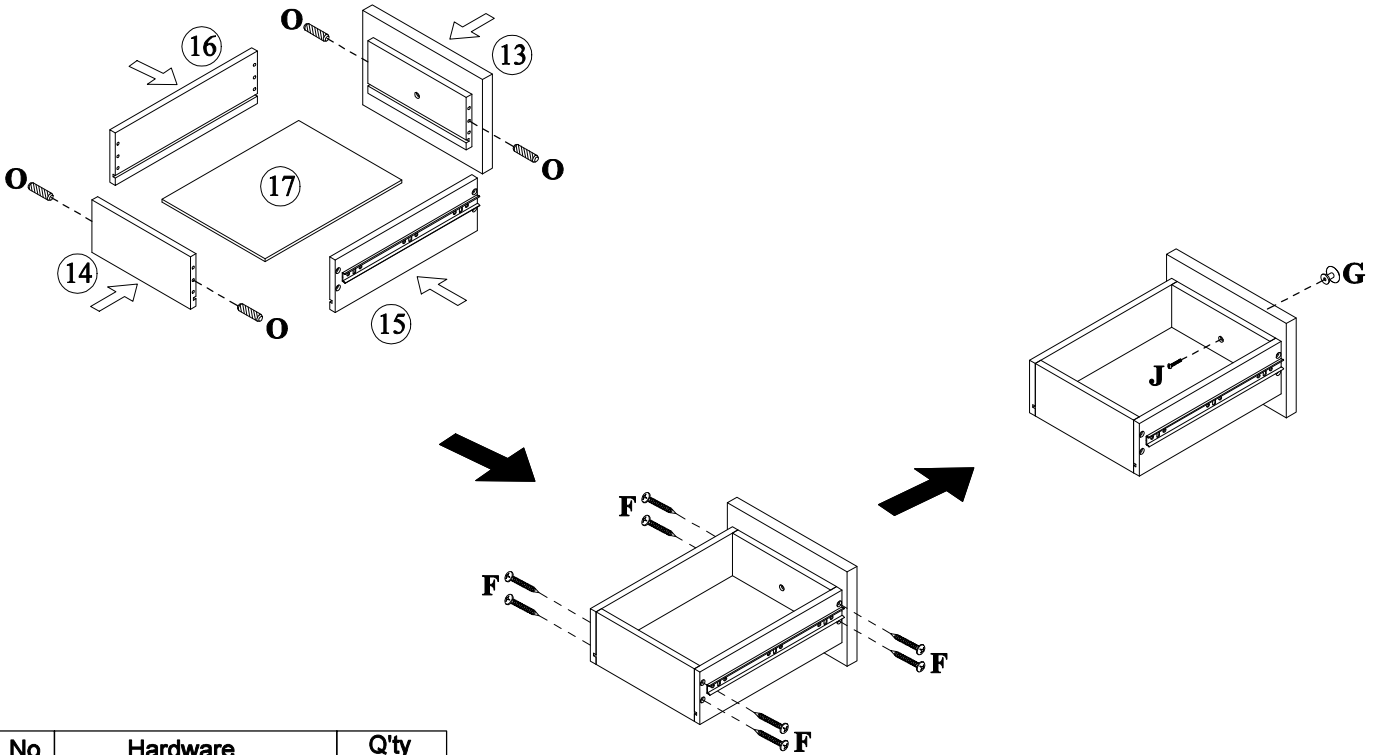
No	Hardware	Q'ty
K	Hinges	4
L	Screws $\phi 7 \times \phi 3.5 \times 15 \text{mm}$	8

Step 11



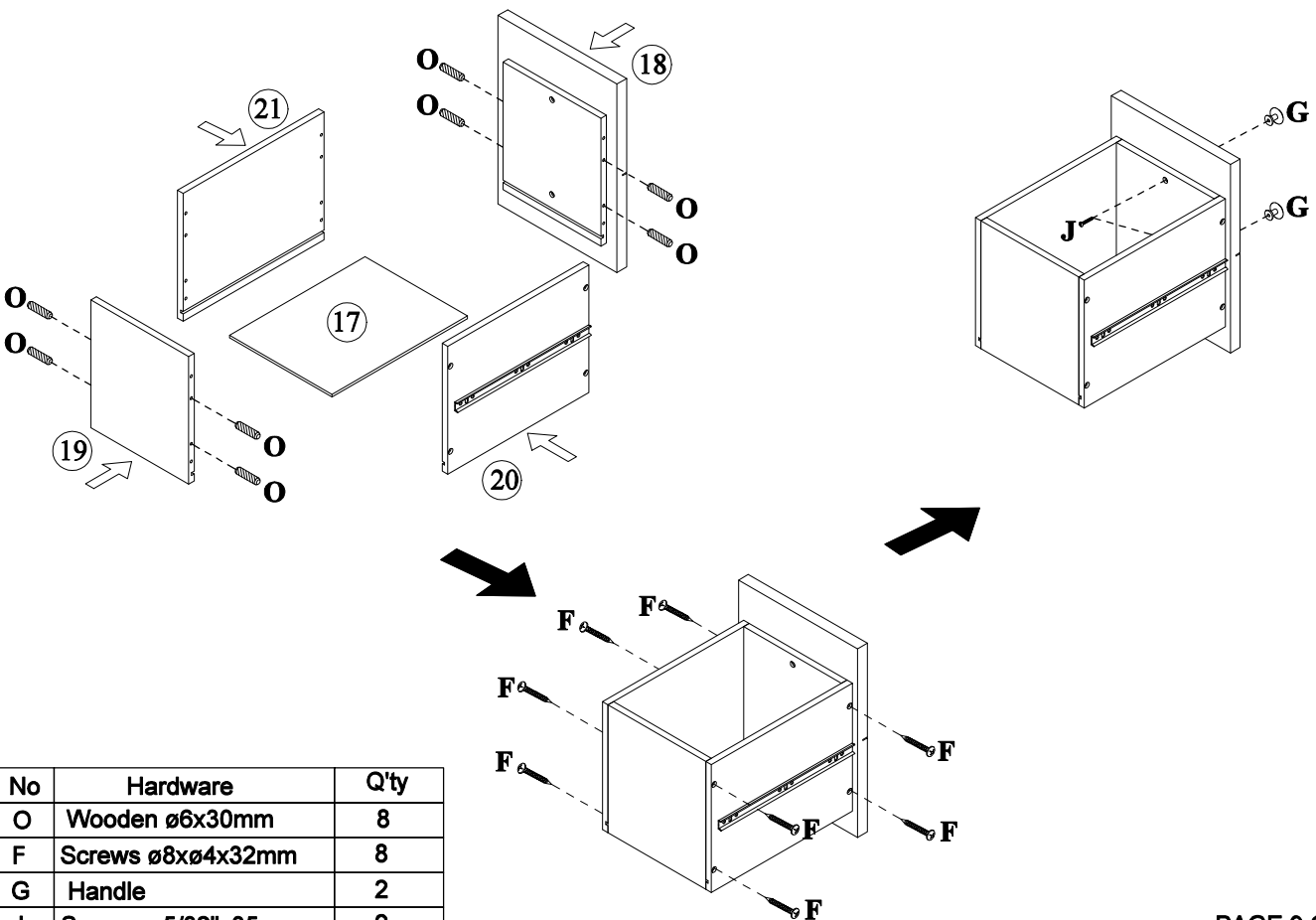
No	Hardware	Q'ty
L	Screws $\phi 7 \times \phi 3.5 \times 15 \text{mm}$	16
G	Handle	2
I	Screws $\phi 5/32" \times 32 \text{mm}$	2

Step 12



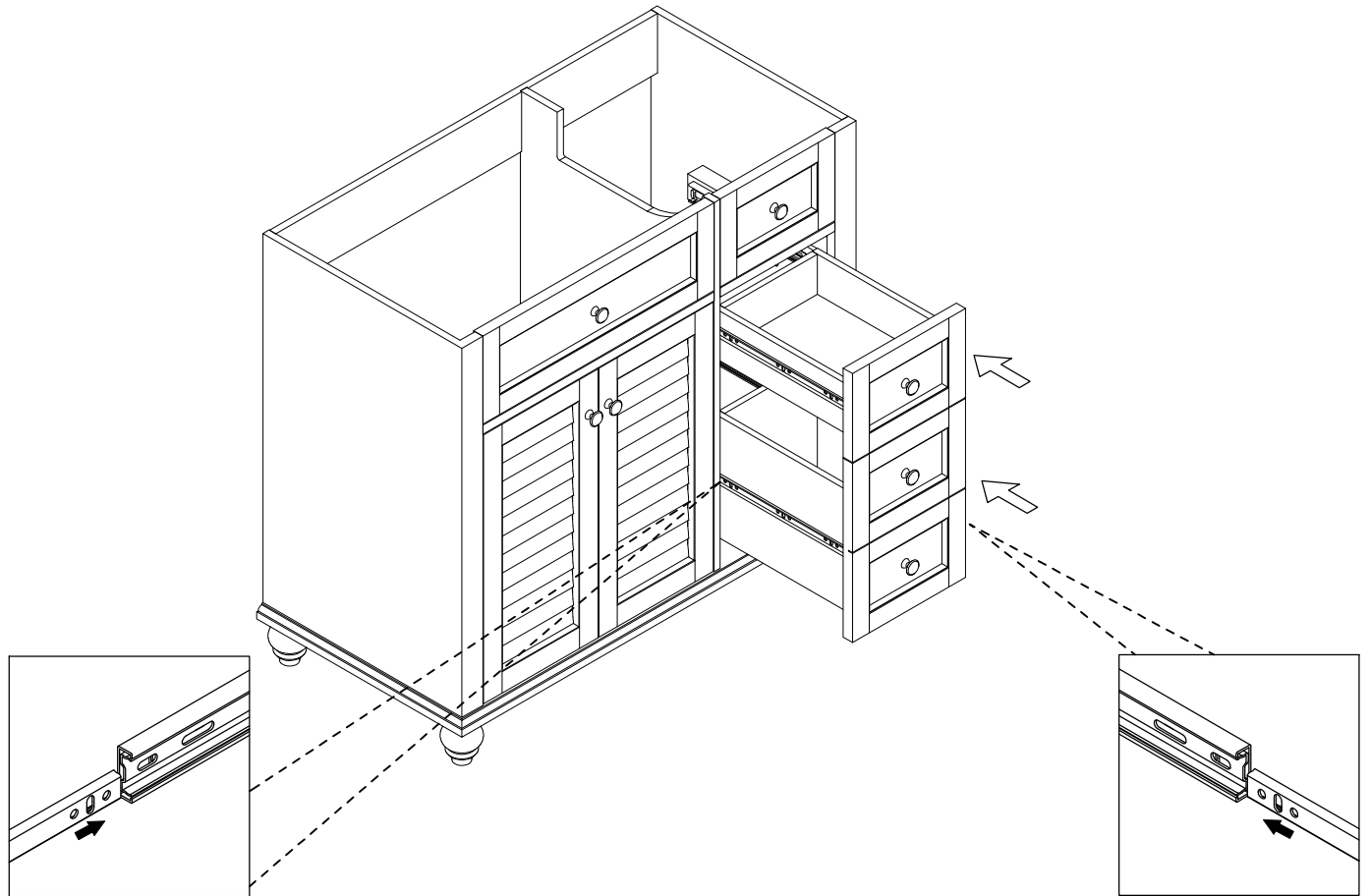
No	Hardware	Q'ty
O	Wooden $\varnothing 6 \times 30 \text{mm}$	4
F	Screws $\varnothing 8 \times \varnothing 4 \times 32 \text{mm}$	8
G	Handle	1
J	Screws $\varnothing 5/32" \times 35 \text{mm}$	1

Step 13

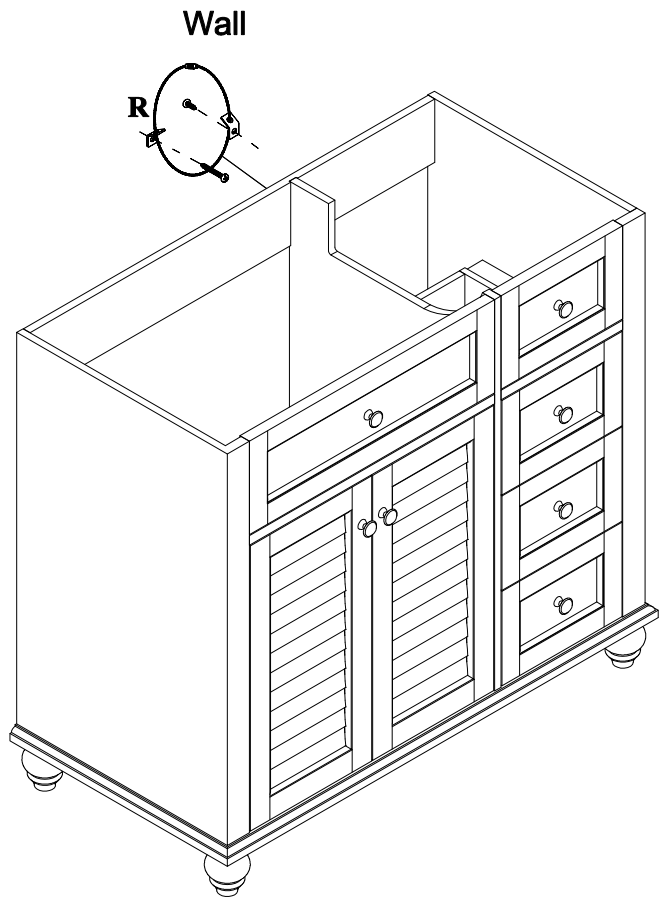


No	Hardware	Q'ty
O	Wooden $\varnothing 6 \times 30 \text{mm}$	8
F	Screws $\varnothing 8 \times \varnothing 4 \times 32 \text{mm}$	8
G	Handle	2
J	Screws $\varnothing 5/32" \times 35 \text{mm}$	2

Step 14

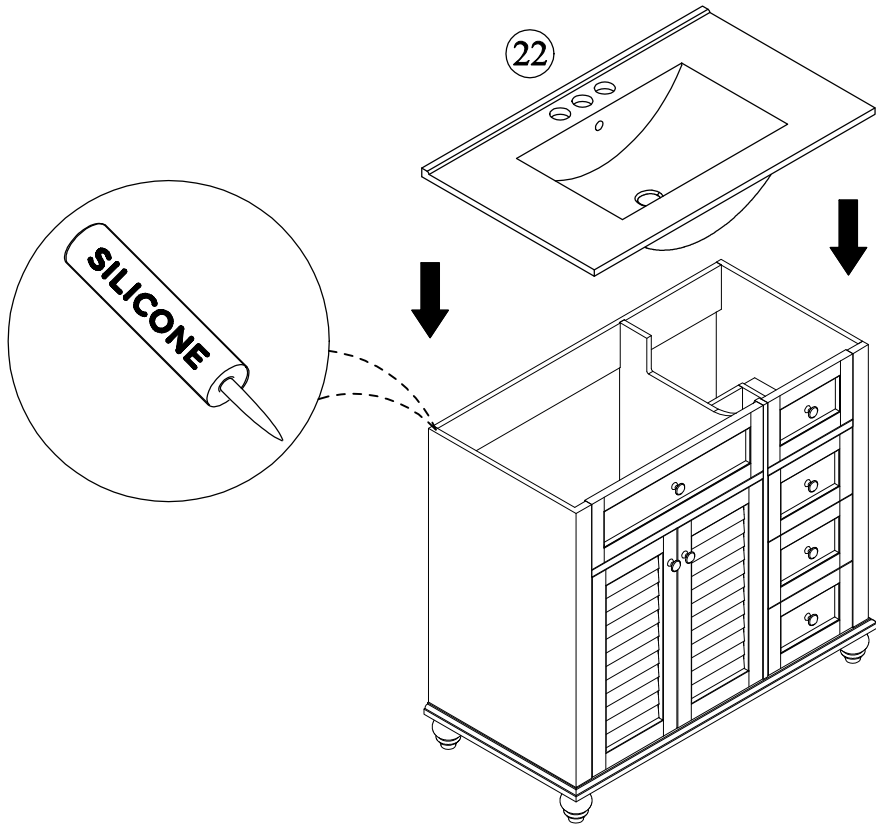


Step 15



No	Hardware	Q'ty
R	Anti fall hardware	1

Step 16



Step 17

