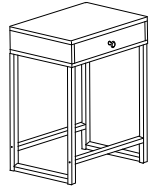
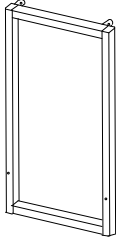

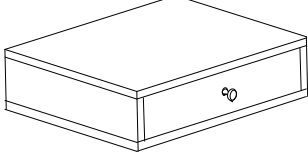
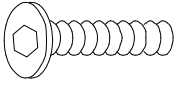
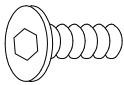

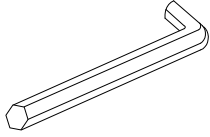


SIDE TABLE



ASSEMBLY INSTRUCTIONS

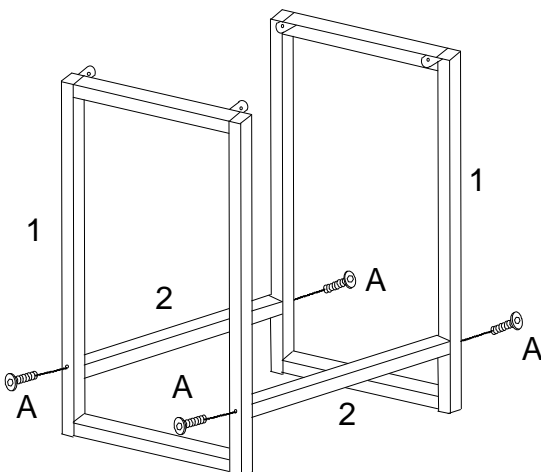
1	2	3
		
SIDE PANEL 2PCS	STRETCHER 2PCS	TABLE TOP 1PC

A	B	C	D
			
BOLT 1/4"x50mm 4PCS	BOLT 1/4"x12mm 4PCS	CAP 4PCS	ALLEN KEY 1PC

***** Do not tighten screws & bolts until the entire unit is completely assembled. *****

STEP 1

Attach side panels (1) to stretcher (2) using bolts (A) as shown.



STEP 2

Attach table top (3) to the assembled metal base using bolts (B) as shown. Then, tighten all bolts firmly. Use caps (C) to cover bolts (A).

