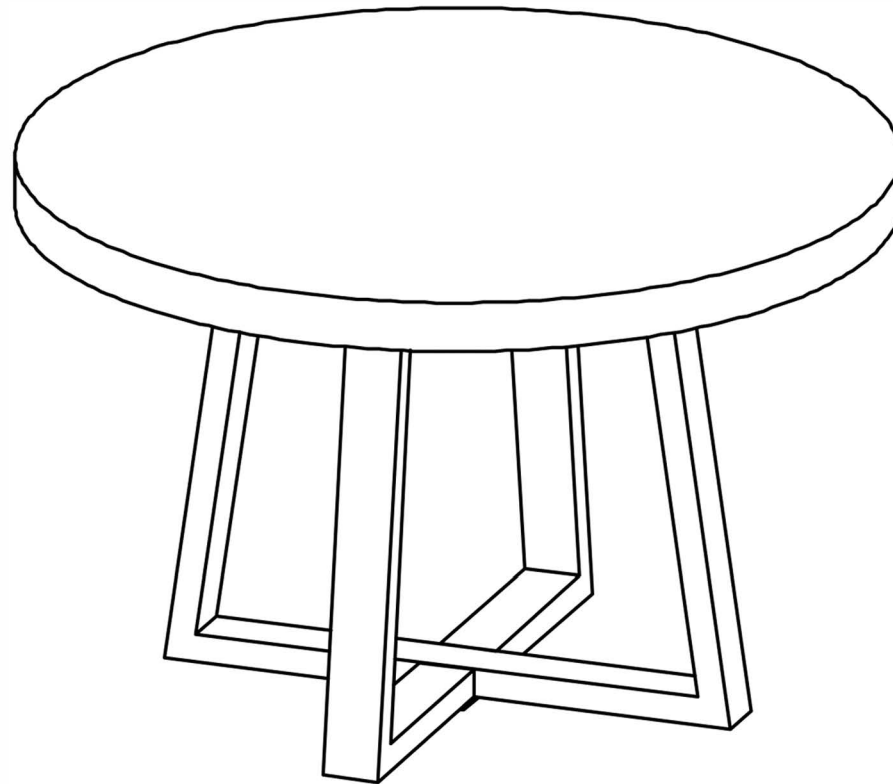


ASSEMBLY INSTRUCTIONS.





DINING TABLE







THANK YOU FOR YOUR PURCHASE!

PARTS AND HARDWARE.

PARTS LIST

No.	DESCRIPTION	IMAGE	Q'TY
P1	TABLE TOP		1
P2	METAL LEG 1		1
P3	METAL LEG 2		1
P4	METAL LEG 3		1

HARDWARE LIST

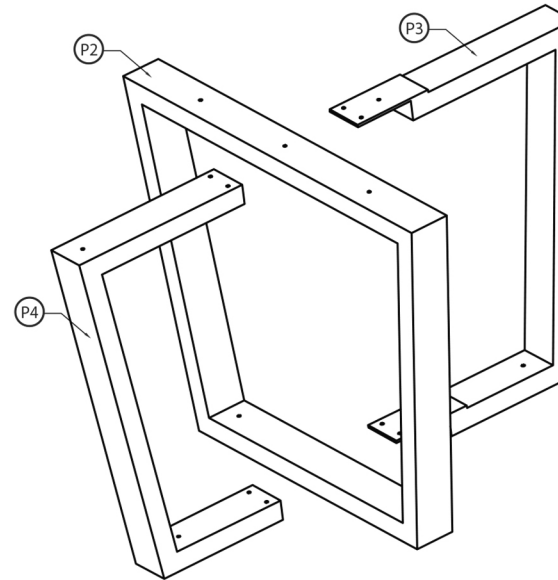
No.	DESCRIPTION	IMAGE	Q'TY
H1	BOLT (Ø6x 15MM)		6
H2	BOLT (Ø6x60MM)		4
H3	FLAT WASHER		10
H4	ALLEN KEY		1

NOTES.

Thank you for purchasing this quality product! Be sure to check all packing material carefully for small part that may have come loose inside the carton during shipping.

CAUTION: The item is heavy, assembly should be performed by two people.

STEP 1.



STEP 2.

