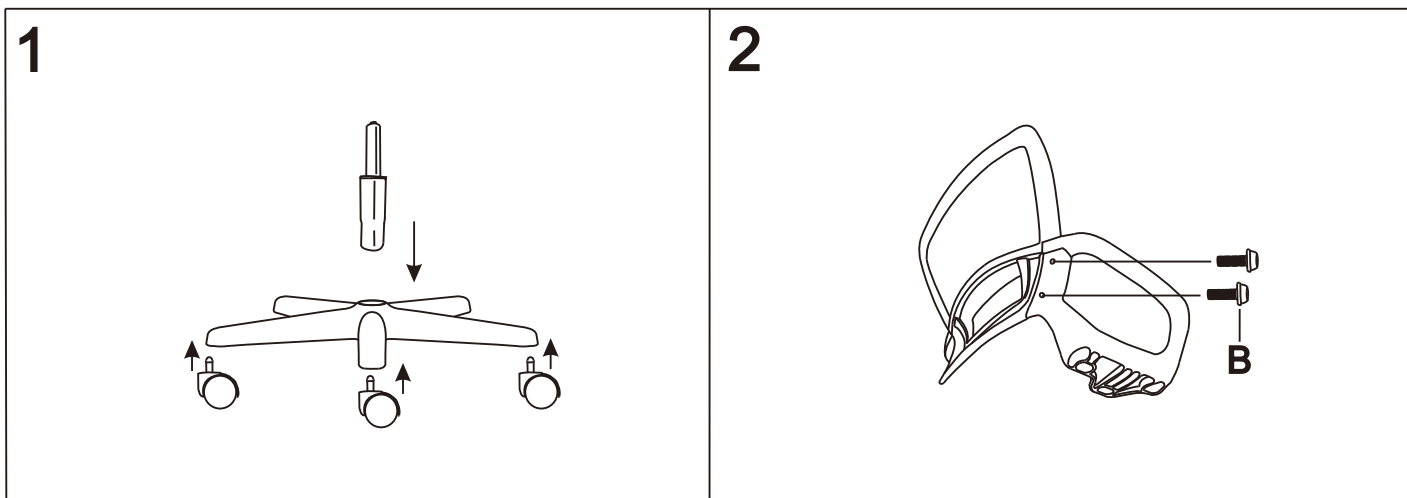
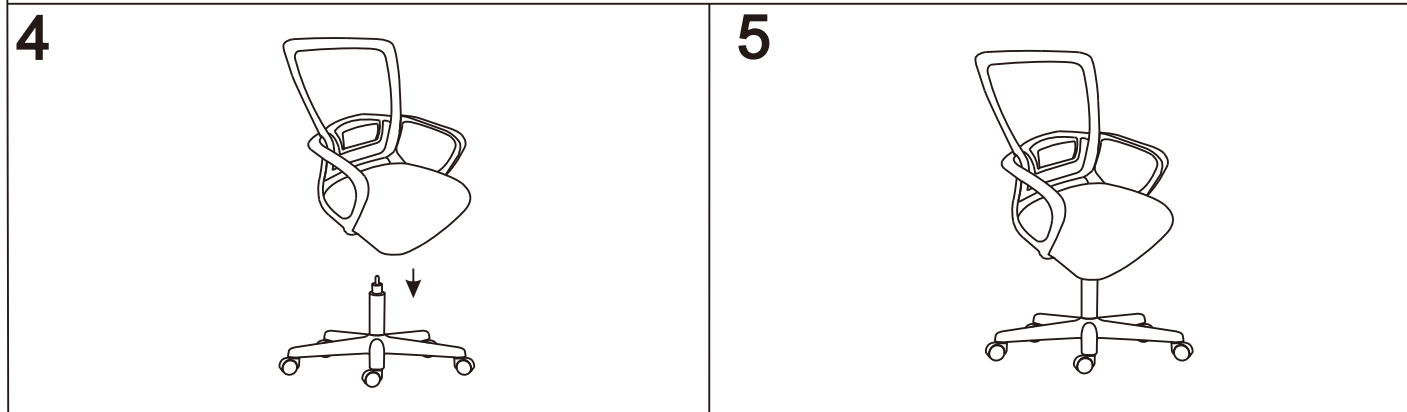
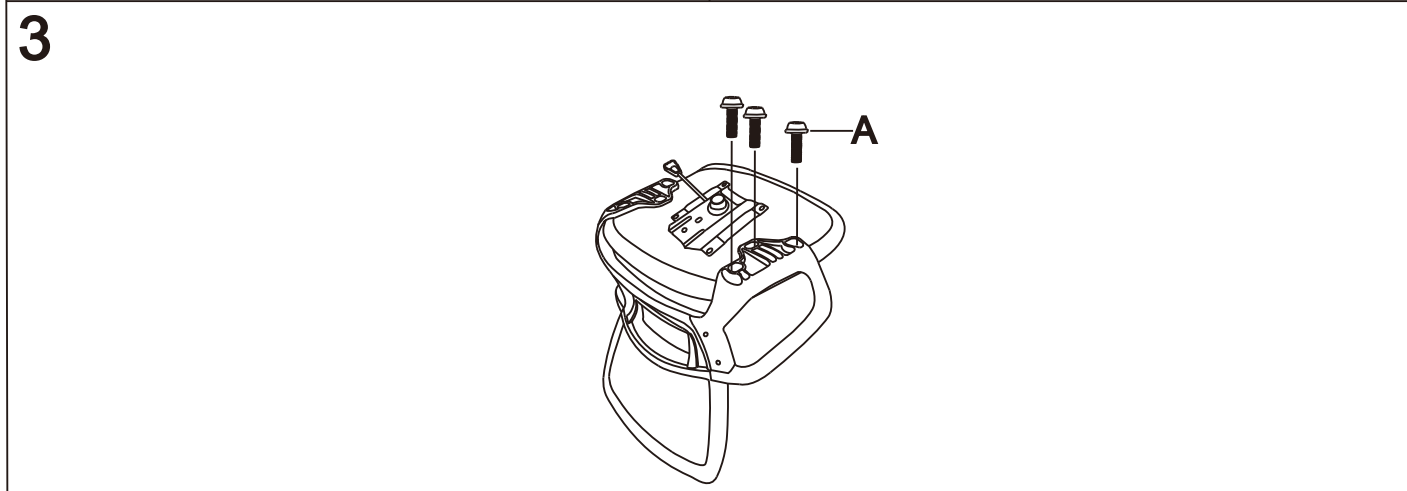
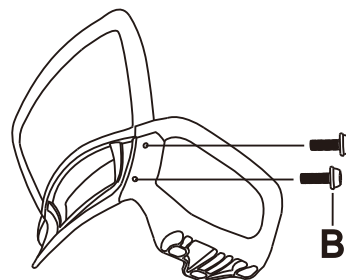



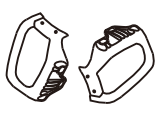


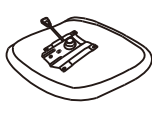



# Assembly instruction sheet

## TD-4083



2



	1		2		1	 M6*25 X 6	A
	1		1		5	 M6*20 X 4	B