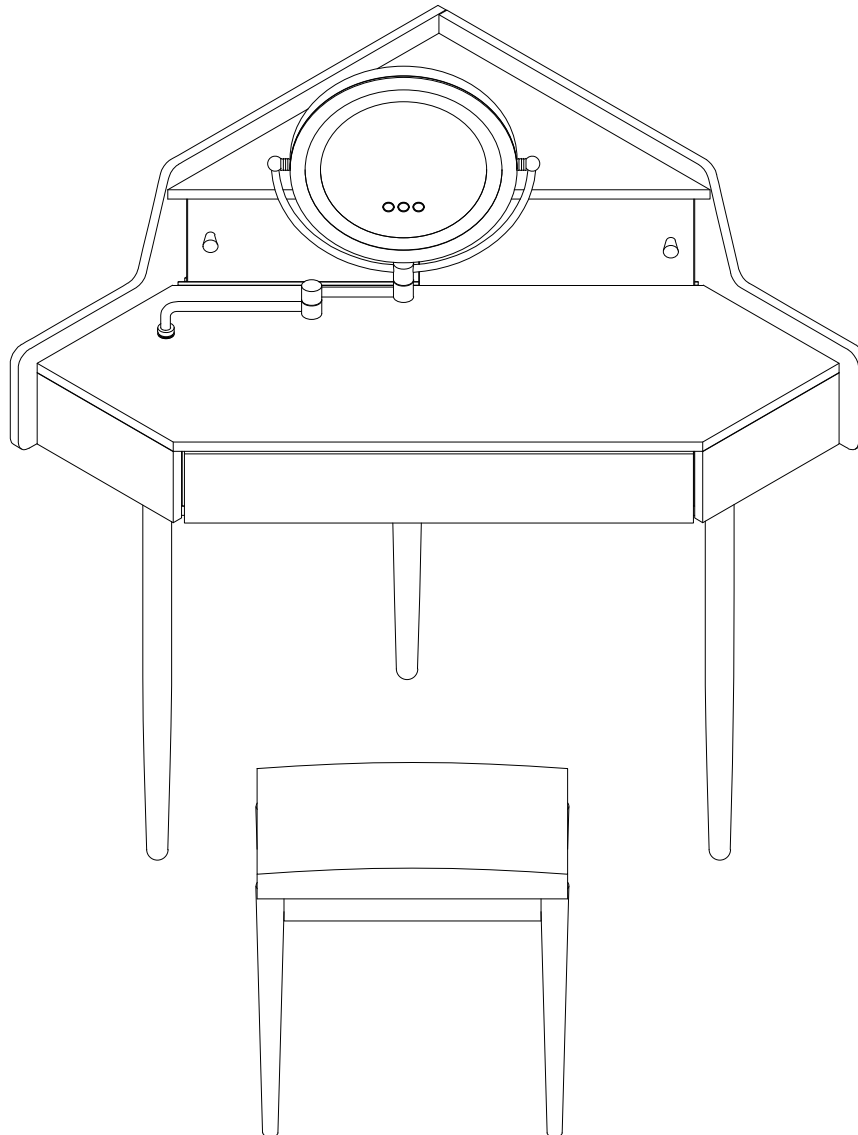
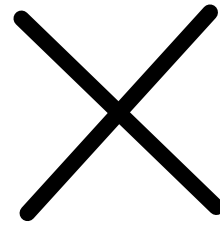
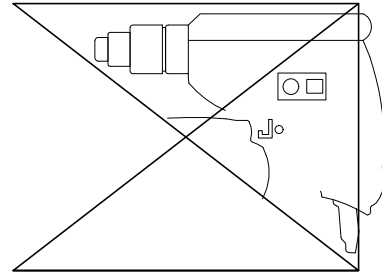
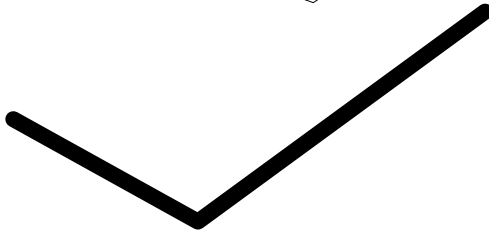
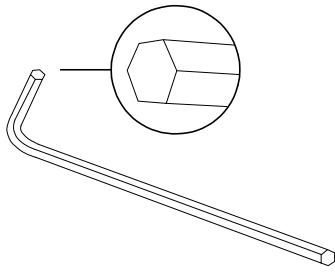


Functional Table

Assembly Instructions - Please keep for future reference



Important – Please read these instructions fully before starting assembly



(DE): Verwenden Sie beim Anbringen der Tischplatte keinen Bohrer! Bitte verwenden Sie die im Paket enthaltenen Werkzeuge.

(UK): Do not use an electric drill when installing the desktop! Please use the tools provided in the package.

(FR): Ne pas utiliser de perceuse électrique lors de l'installation du plateau de table ! Veuillez utiliser les outils fournis dans l'emballage.

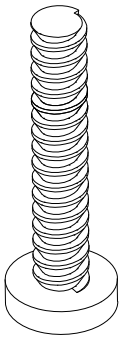
(IT): Non utilizzare un trapano elettrico durante l'installazione del piano del tavolo! Si prega di utilizzare gli strumenti forniti nella confezione.

(ES): ¡No utilice un taladro eléctrico al instalar el escritorio! Por favor, use las herramientas incluidas en el paquete.

(NL): Gebruik geen elektrische boormachine bij het monteren van het tafelblad! Gebruik de meegeleverde gereedschappen uit de verpakking.

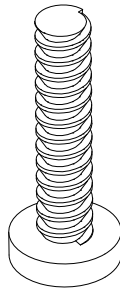
(SE): Använd inte en elektrisk bormaskin vid montering av bordsskivan! Använd de verktyg som medföljer i förpackningen.

(PL): Nie używaj wiertarki elektrycznej podczas montażu blatu! Użyj narzędzi dołączonych do opakowania.



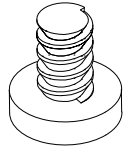
BOLT
M6*50mm

Ⓛ



BOLT
M6*45mm

Ⓚ



BOLT
M6*10mm

Ⓢ

BOLT M6X50 MM

BOLT M6X45 MM

BOLT M6X10MM

DE:Bitte beachten Sie, dass Schrauben L, Kund I ähnliche Formen haben. Bitte installieren und unterscheiden Sie sie entsprechend der Anleitung!

UK:Please note that screws L, K and I have similar shapes. Please install and distinguish them according to the instructions!

FR:S'il vous plaît noter que la forme des vis L, K, I est similaire, s'il vous plaît installer et distinguer selon les instructions!

IT:Si prega di notare che le viti L, Ke I hanno forme simili. Si prega di installarle e distinguerle secondo le istruzioni!

ES:Tenga en cuenta que los tornillos L, K, I tienen formas similares, instale y distinga de acuerdo con las instrucciones!



Safety and Care Advice

Important – Please read these instructions fully before starting assembly

- Check you have all the components and tools listed on the following pages.
- Remove all fittings from the plastic bags and separate them into their groups.
- Keep children and animals away from the work area, small parts could choke if swallowed.
- Make sure you have enough space to layout the parts before starting.

- During assembly do not stand or put weight on the product, this could cause damage.
- Assemble the item as close to its final position (in the same room) as possible.
- Assemble on a soft level surface to avoid damaging the unit or your floor.
- Parts of the assembly will be easier with 2 people.



- To reduce the likelihood of damaging your product please ensure that your power drill is set on a low torque setting.

Care and maintenance

- Only clean using a damp cloth and mild detergent, do not use bleach or abrasive cleaners.
- From time to time check that there are no loose screws on this unit.
- This product should not be discarded with household waste. Take to your local authority waste disposal centre.

Handy Hints

- Assemble all parts and bolts loosely during assembly, only once the product is complete should you fully tighten the bolts
- Regularly check and ensure That all bolts and fittings are tightend properly.

WARNING In order to help prevent overturning – please follow these instructions

To help prevent product toppling over please follow the below steps:-

Use the anti tip stap or wall fixing method provided (if applicable)
Do not allow children to climb or hang on the furniture
Do not open more than one drawer at a time
Do not place heavy items in the top drawers
Do not place heavy items on top of the furniture, unless the furniture has been designed for this purpose



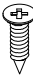

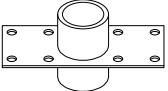
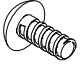
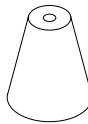


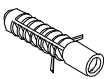





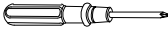
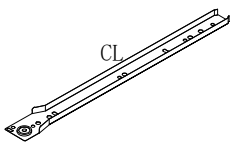
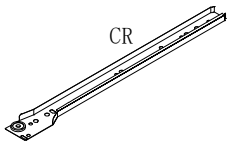
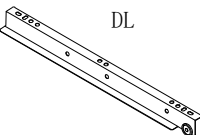
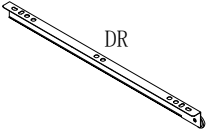
Please note that only the anti tip strap is provided.

You will need to provide wall plugs and screws applicable for your wall type

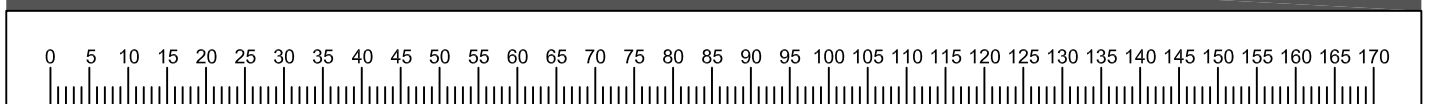
Components - Fittings

Please check you have all the panels listed below

Note: The quantities below are the correct amount to complete the assembly. In some cases more fittings may be supplied than are required.

<p>(A)</p>  <p>Cam Bolt x18</p>	<p>(B)</p>  <p>Cam Lock x18</p>	<p>(C)</p>  <p>3.5*14 Screw x16</p>	<p>(D)</p>  <p>6*40 Screw x24</p>
<p>(E)</p>  <p>Mirror accessories x1</p>	<p>(F)</p>  <p>4*8 Screw x2</p>	<p>(G)</p>  <p>handle x2</p>	<p>(H)</p>  <p>4*35 Screw x6</p>
<p>(I)</p>  <p>6*10 Screw x12</p>	<p>(J)</p>  <p>Expansion tube x2</p>	<p>(K)</p>  <p>6*45 Screw x8</p>	<p>(L)</p>  <p>6*50 Screw x4</p>
<p>(M)</p>  <p>5*50 Screw x2</p>	<p>(N)</p>  <p>power cord x1</p>	<p>(O)</p>  <p>6-point screwdriver x1</p>	<p>(P)</p>  <p>bolt driver x1</p>
<p>CL</p>  <p>Runner300mm x1</p>	<p>CR</p>  <p>Runner300mm x1</p>	<p>DL</p>  <p>Runner300mm x1</p>	<p>DR</p>  <p>Runner300mm x1</p>

Ruler - Use this ruler to help correctly identify the screws



The screws length is measured from the head to the point (35mm screw shown).

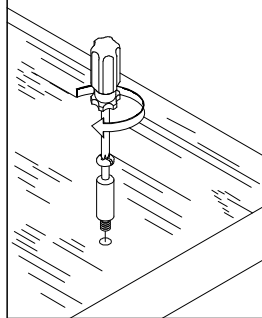
Using Camlocks

Step 1

Connect the male camlock as directed in the assembly instructions using a screwdriver.

1

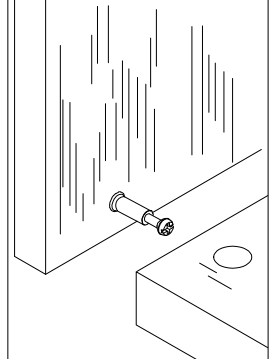
DO NOT OVER TIGHTEN.
NE PAS SERRER EXCESSIVEMENT.



Step 2

Push the male camlock into the entry hole.

2

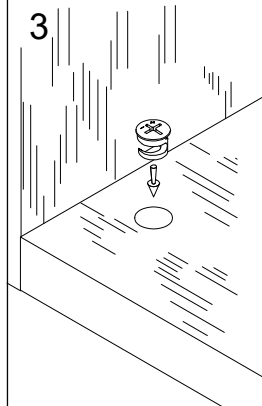


Step 3

Insert the female camlock as shown in the instruction.

Note: ensure that the arrow on the top of the camlock points towards the entry hole for the male camlock.

3



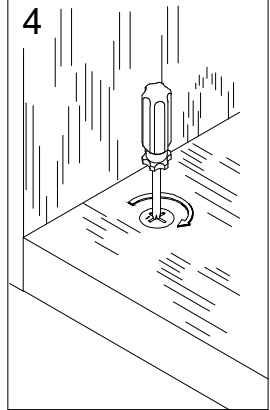
Step 4

Turn the female camlock clockwise with a screwdriver.

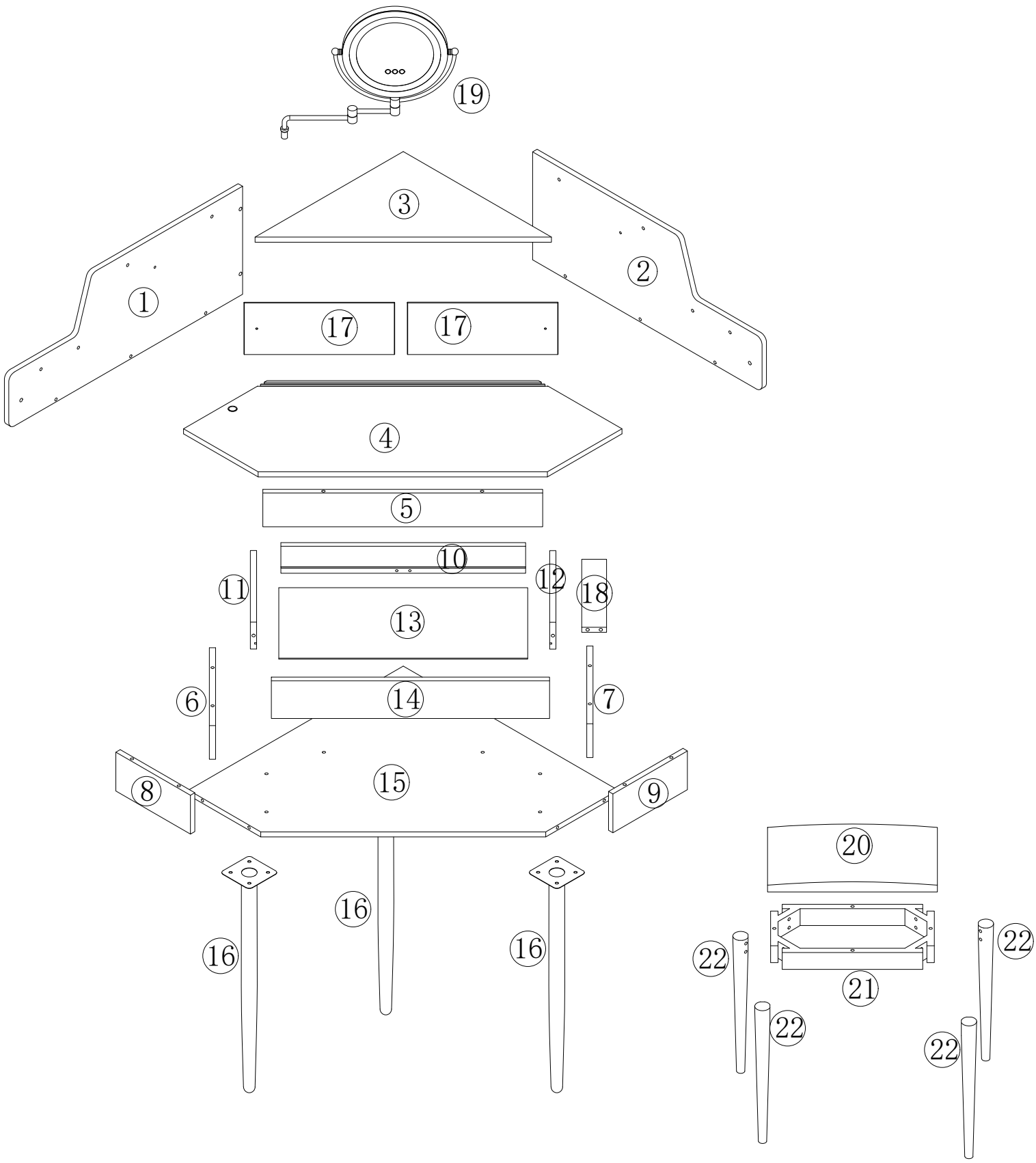
You should feel a click when the camlock is locked in place.

The joint is now secure.

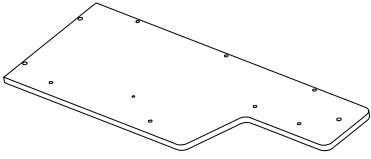
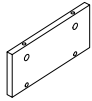
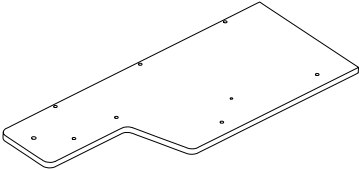
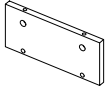
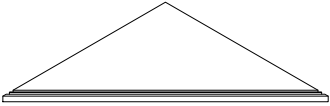




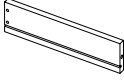
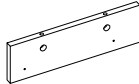

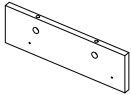

4



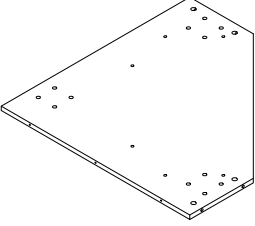

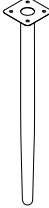

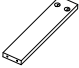
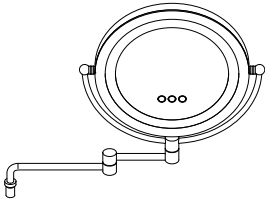
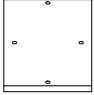
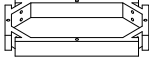
Assembly Instructions



Assembly Instructions

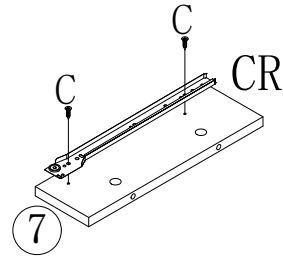
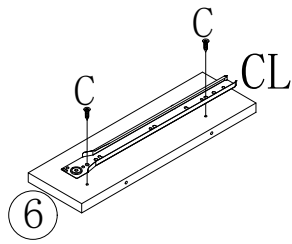
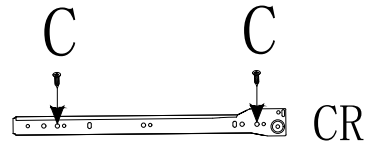
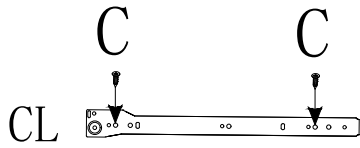
<p>①</p>  <p>1</p>	<p>⑧</p>  <p>1</p>
<p>②</p>  <p>1</p>	<p>⑨</p>  <p>1</p>
<p>③</p>  <p>1</p>	<p>⑩</p>  <p>1</p>
<p>④</p>  <p>1</p>	<p>⑪</p>  <p>1</p>
<p>⑤</p>  <p>1</p>	<p>⑫</p>  <p>1</p>
<p>⑥</p>  <p>1</p>	<p>⑬</p>  <p>1</p>
<p>⑦</p>  <p>1</p>	<p>⑭</p>  <p>1</p>

Assembly Instructions

<p>⑮</p>  <p>1</p>	<p>⑳</p>  <p>4</p>
<p>⑯</p>  <p>3</p>	
<p>⑰</p>  <p>2</p>	
<p>⑱</p>  <p>1</p>	
<p>⑲</p>  <p>1</p>	
<p>⑳</p>  <p>1</p>	
<p>㉑</p> <p>396*202*5mm</p>  <p>1</p>	

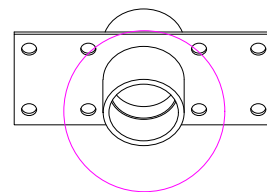
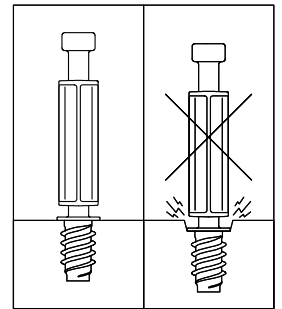
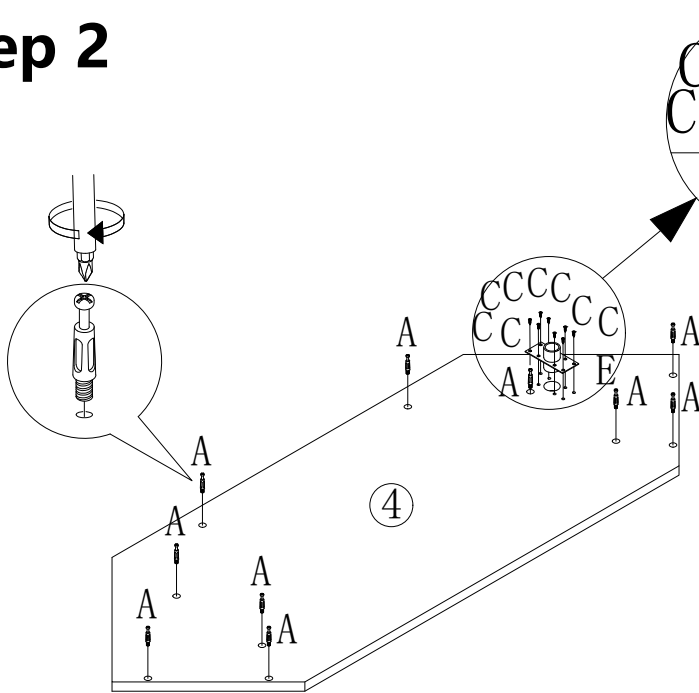
Assembly Instructions

Step 1



<p>CL Runner300mm x1</p>	<p>CR Runner300mm x1</p>	<p>C 3.5*14 Screw x4</p>
------------------------------	------------------------------	------------------------------

Step 2

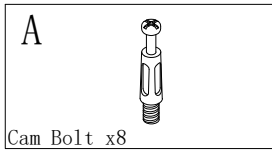
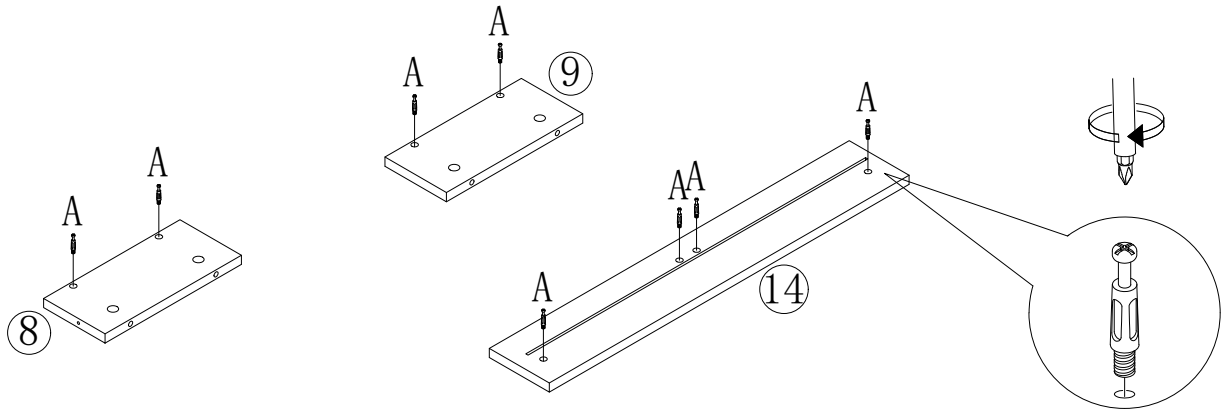


Attention: This side of the hole faces downwards

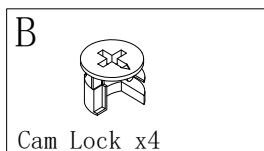
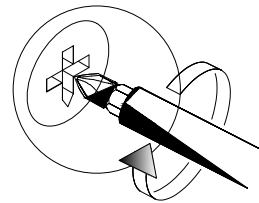
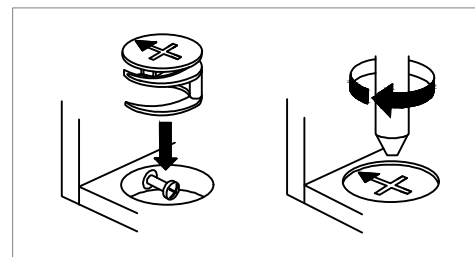
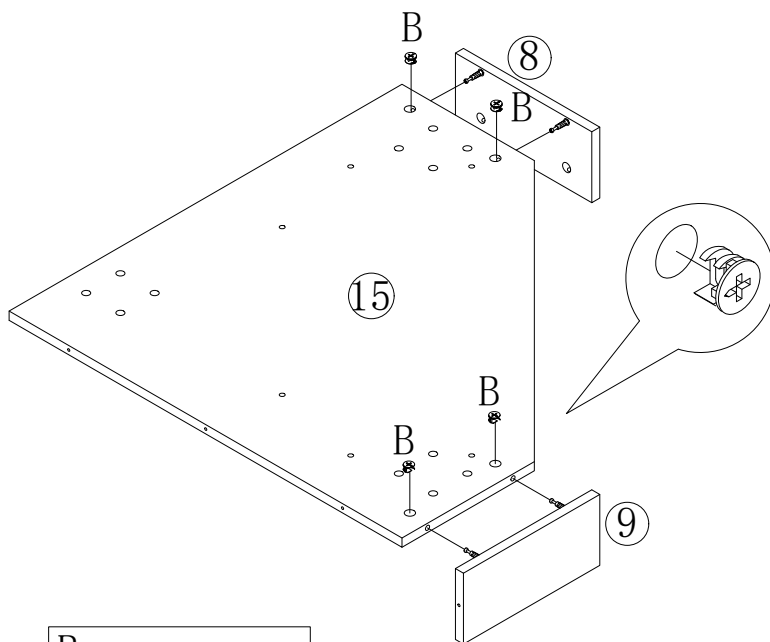
<p>A Cam Bolt x10</p>	<p>C 3.5*14 Screw x8</p>	<p>E Mirror accessories x1</p>
---------------------------	------------------------------	------------------------------------

Assembly Instructions

Step 3

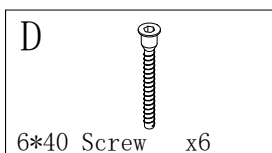
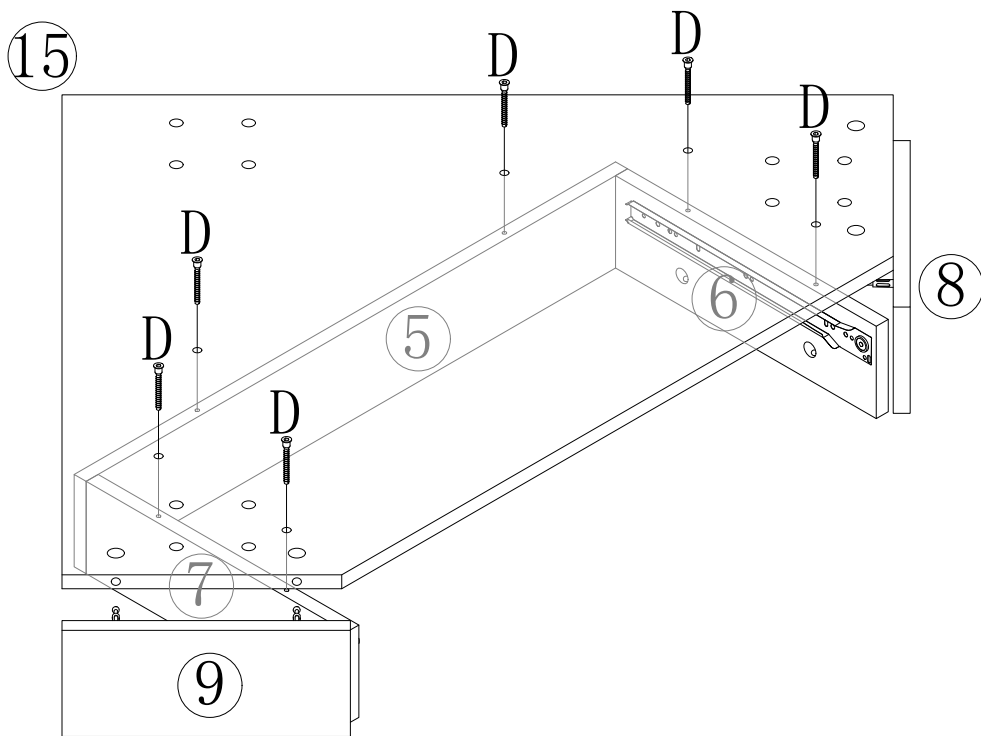


Step 4



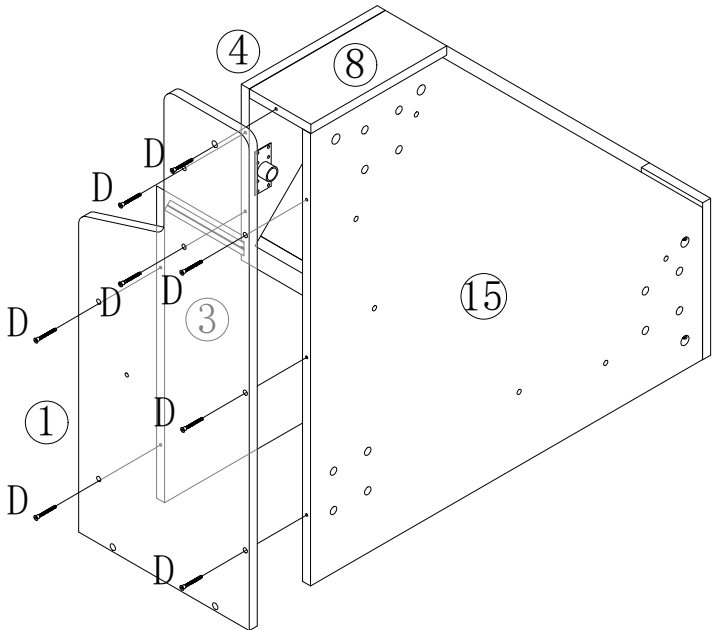
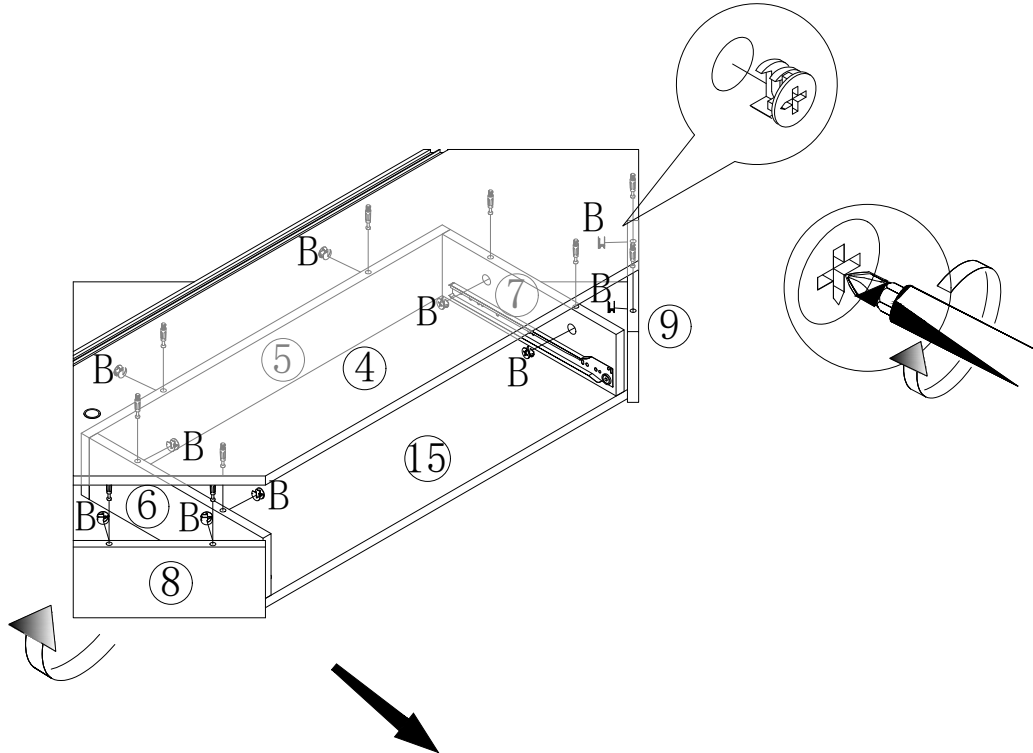
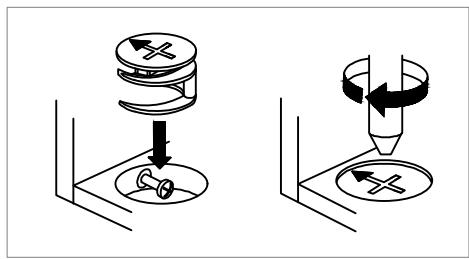
Assembly Instructions

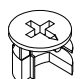
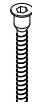
Step 5



Assembly Instructions

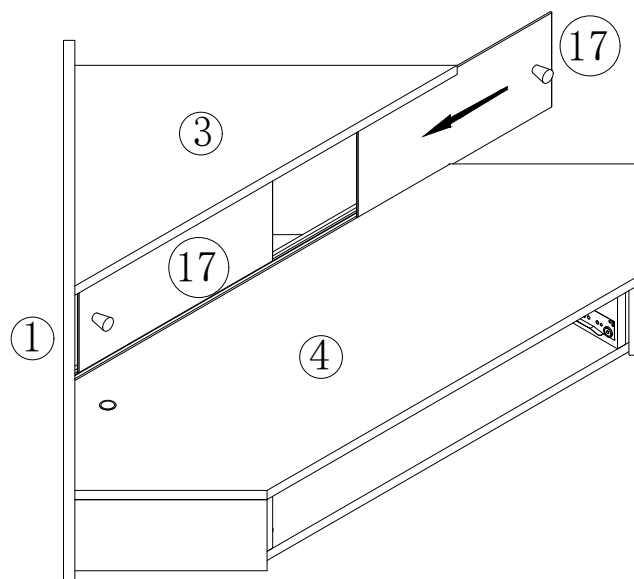
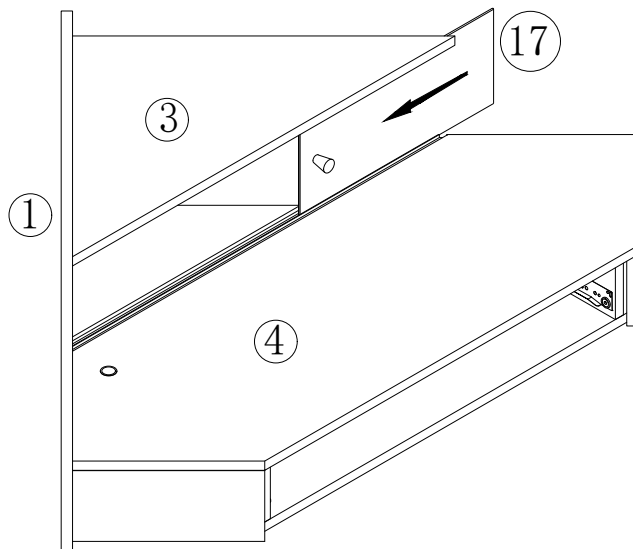
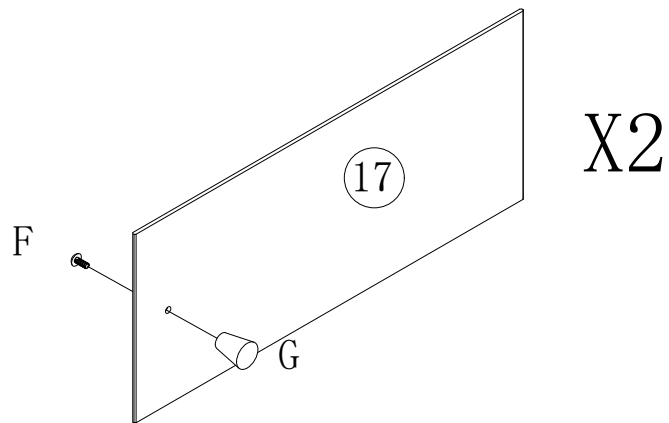
Step 6





<p>B</p> 	<p>D</p> 
<p>Cam Lock x10</p>	<p>6*40 Screw x8</p>

Assembly Instructions

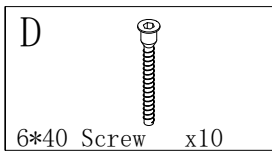
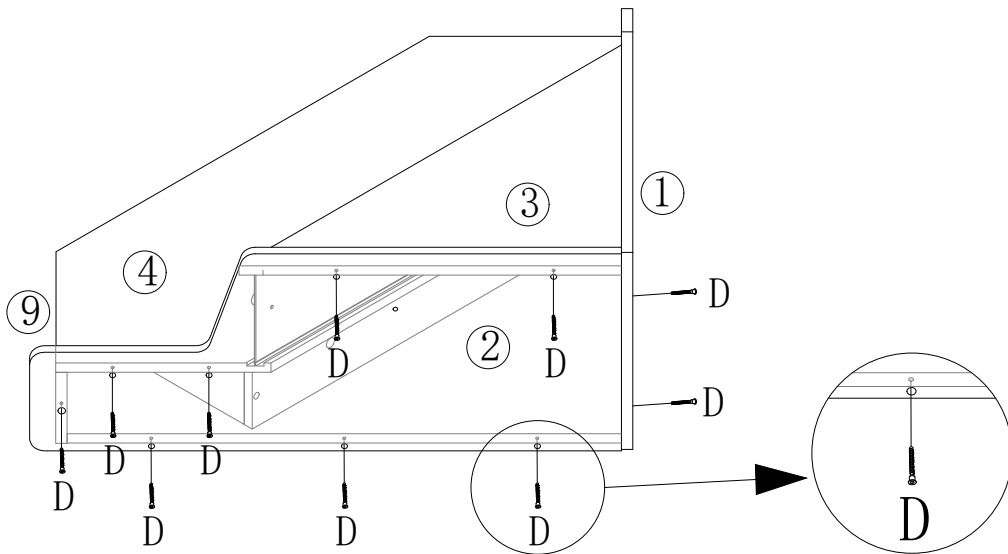
Step 7



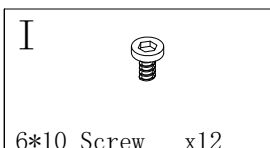
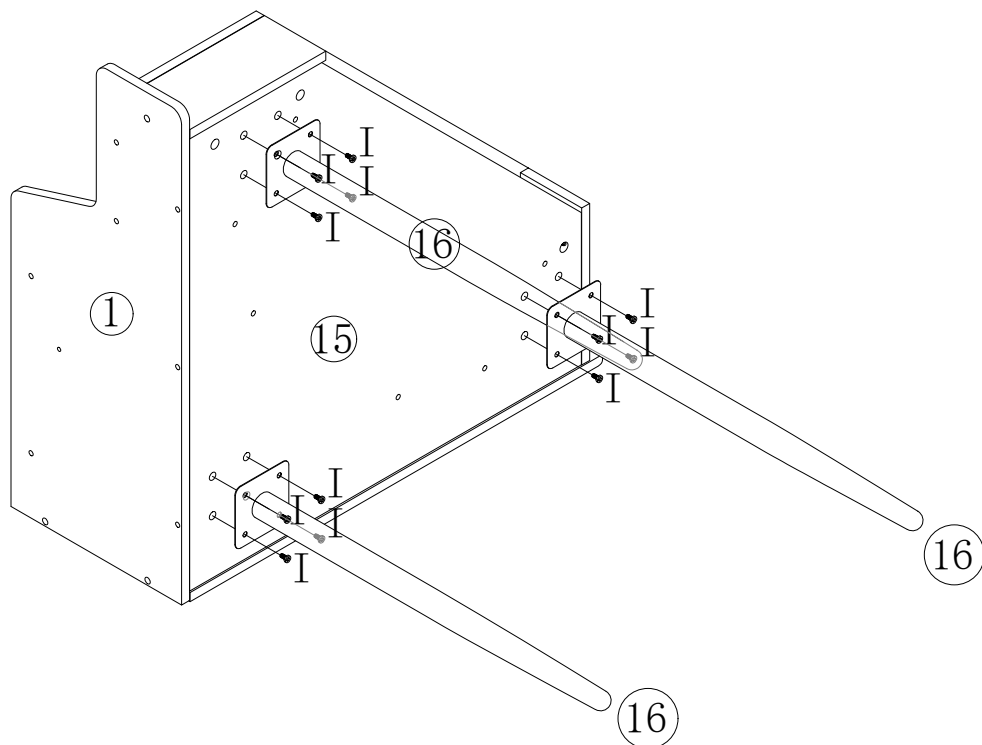
F		G	
4*8 Screw	x2	Carrot Head Handle	x2

Assembly Instructions

Step 8



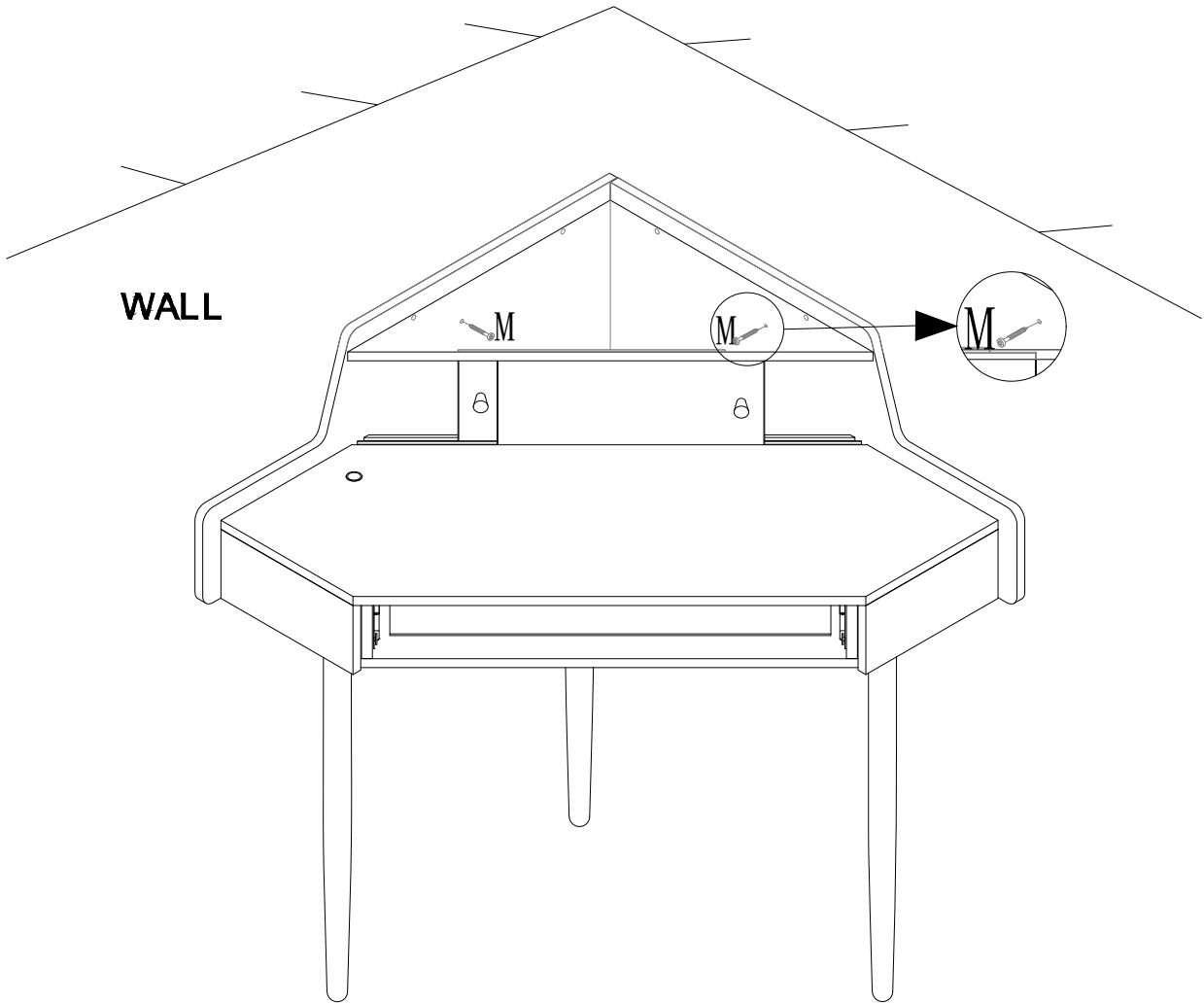
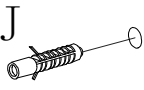
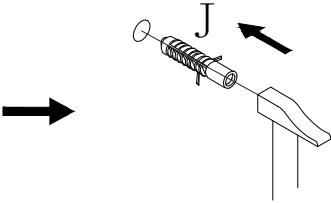
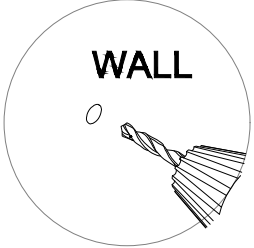
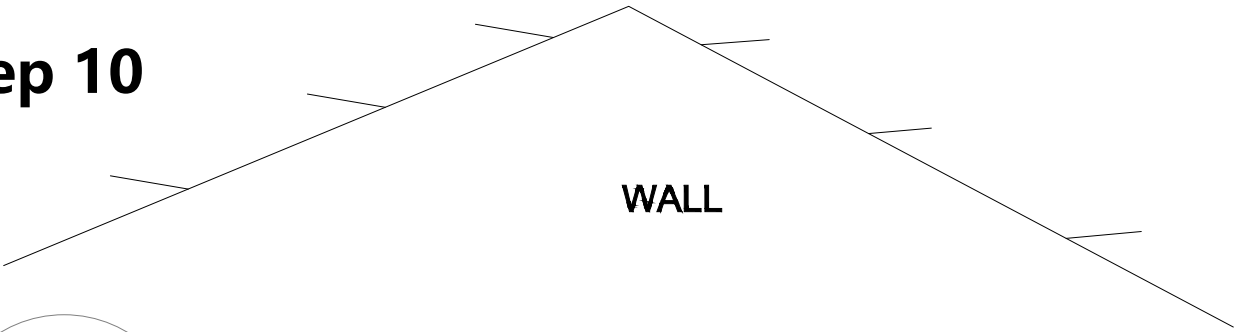
Step 9





Please note: Only I-type screws can be used here, using the wrong screws may cause damage to the countertop!

Assembly Instructions

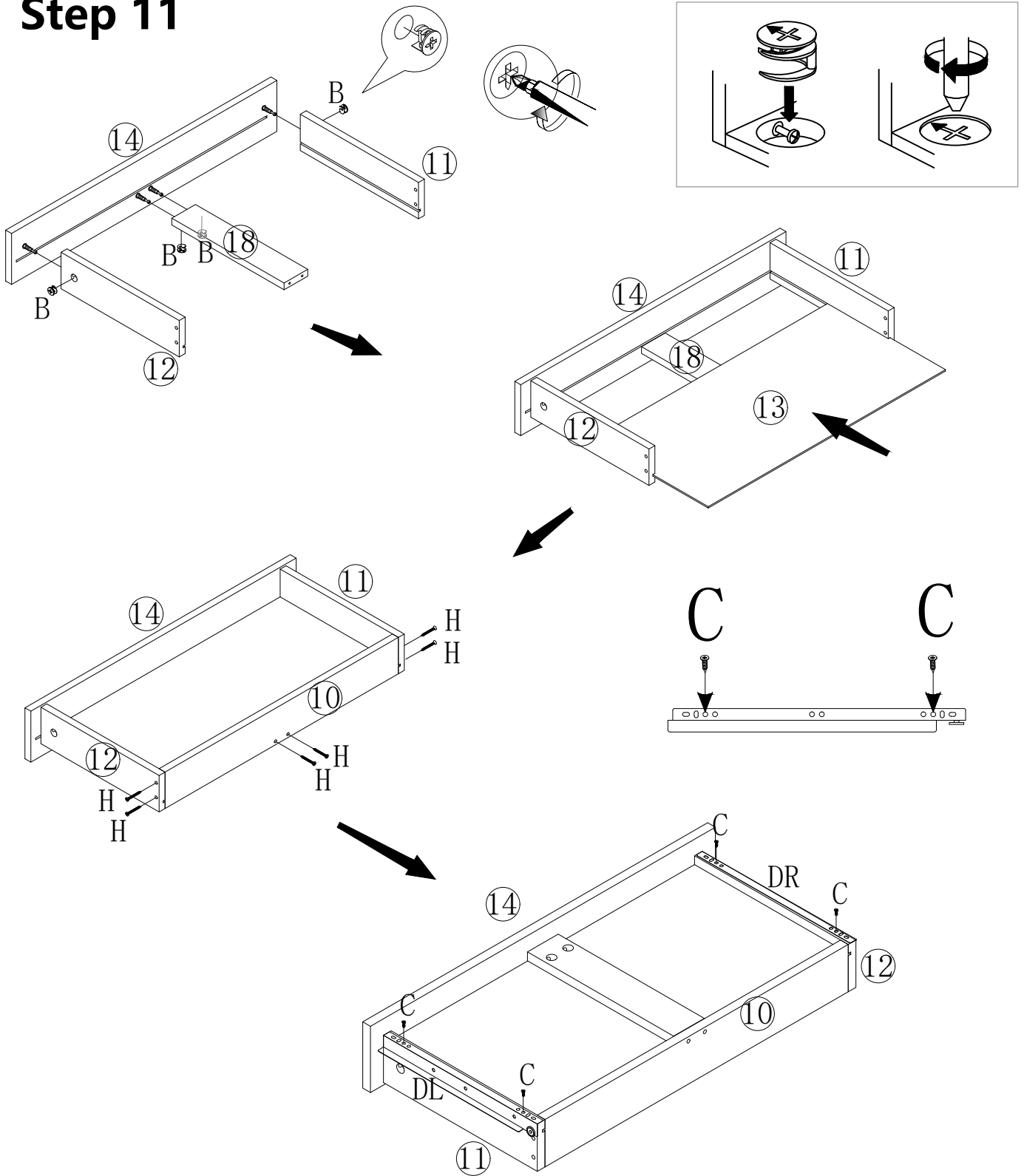
Step 10

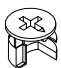






M		J	
5*50 Screw	x2	Expansion tube	x2

Assembly Instructions

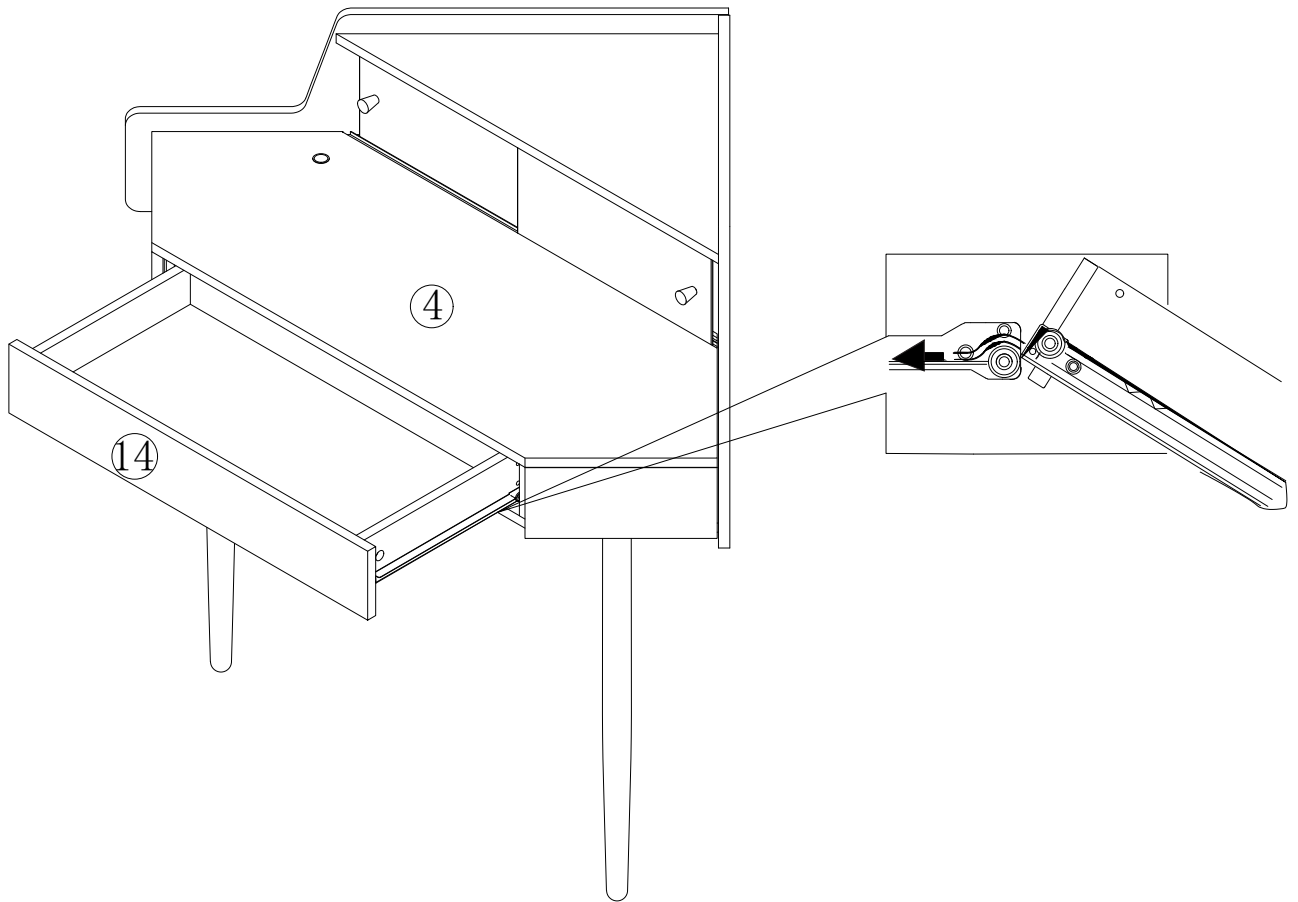
Step 11



B		C		H		DL		DR	
Cam Lock x4		3.5*14 Screw x4		4*35 Screw x6		Runner300mm x1		Runner300mm x1	

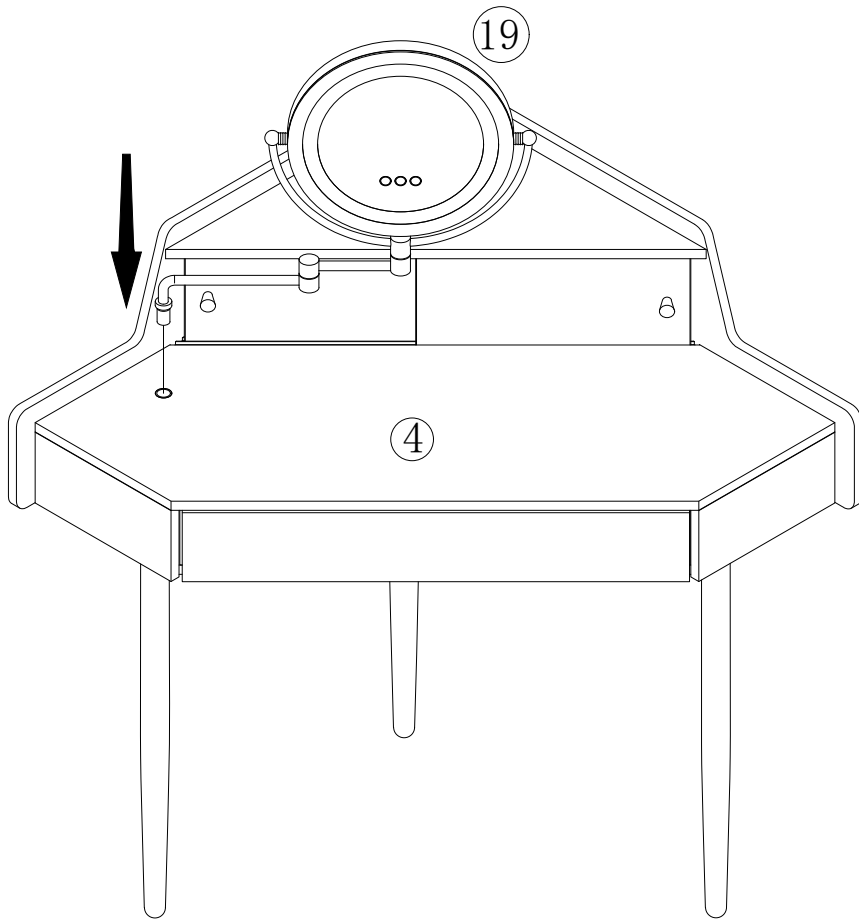
Assembly Instructions

Step 12



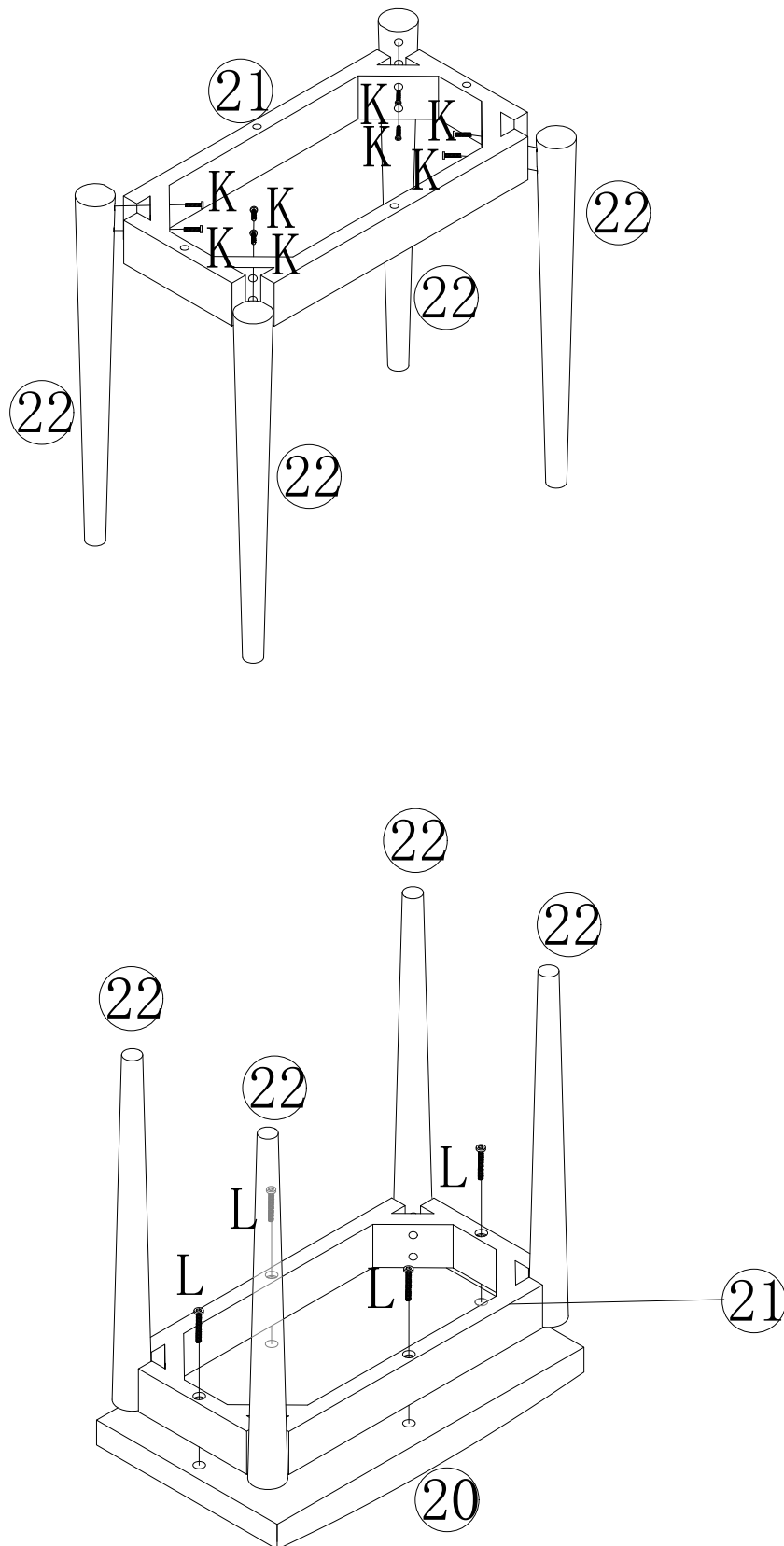
Assembly Instructions



Step 13



Assembly Instructions

Step 14



K		L	
6*45 Screw	x8	6*50 Screw	x4

Assembly Instructions

Step 15

