

# INSTRUCTION MANUAL

## 1. Specification

Rated voltage and frequency: AC220-240V, 50/60HZ

Rated power: E14, 6X MAX. 60W

Attention : read the manual carefully before installing the lamp .

## 2. Warning:

A. The installation work should only be performed by qualified electrician

B. Ensure the lamp is disconnected from mains power before installation.

C. Make sure the lamp is securely supported

D. Just for indoor use

## 3. Important :

A. Wear gloves during installation , avoid scratching the lamp surface

B. Do not install the lamp on a damp or damaged ceiling

C. The weight is kg for this light , don't suggest to fit it to the plastic or soft ceiling

D. Ensure that the electrical supply complies with the type stated on rating label

E. Use lighting source shall be of suitable model and wattage

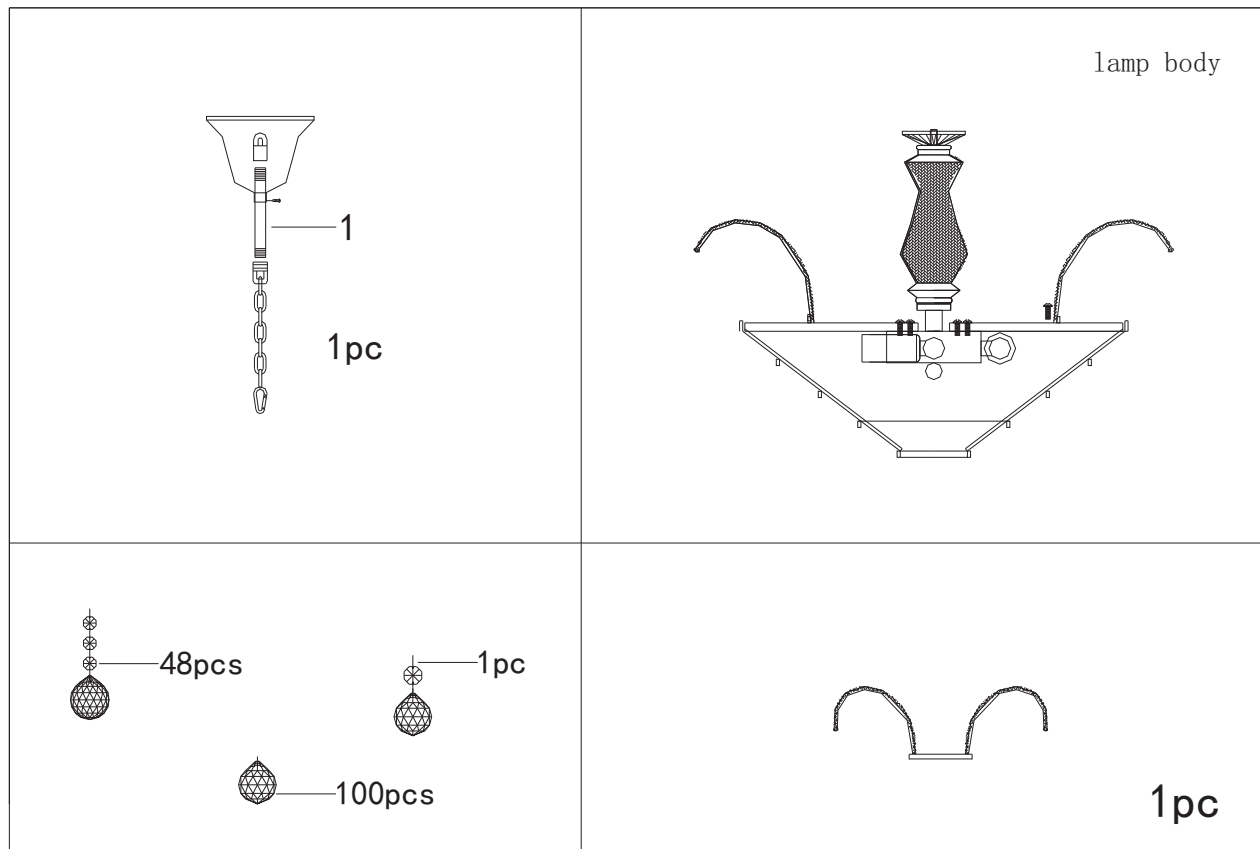
F. Avoid touching the lamp when the lamp is working

G. Pls cut off power and let the bulb & shade cool down before replacing the bulb and adjust the light direction

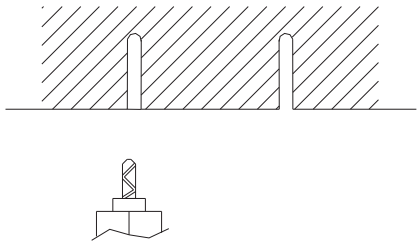
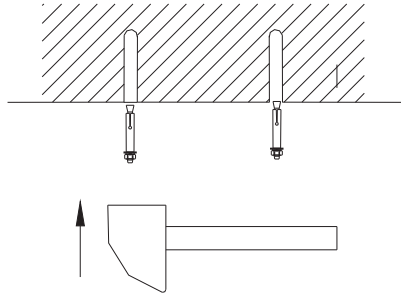
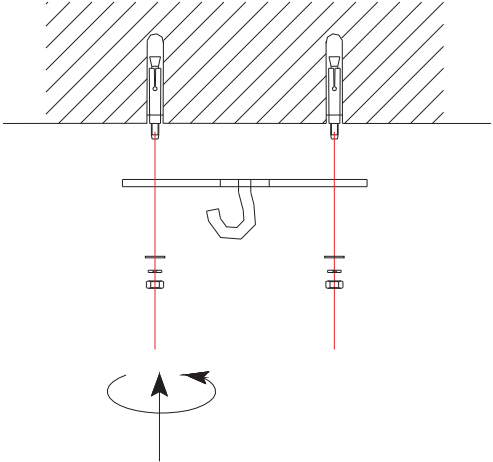
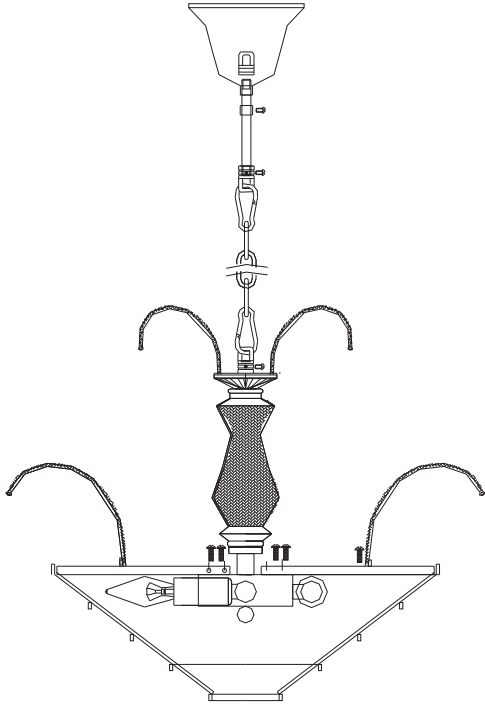
H. Pls use dry cloth and tampon to clean the lamp

I. If the external flexible cable or cord of this luminaire is damaged, it shall be exclusively replaced by the manufacture or his service agent or a similar qualified person in order to avoid a hazard

## 4. Parts Breakdown



## 5. Installation Step :

<p>1</p>  <p>The use of electric drill on the ceiling.</p>	<p>2</p>  <p>Put the plastic plug into the holes.</p>
<p>3</p>  <p>Use the screw to lock the plate onto the ceiling.</p>	<p>4</p>  <p>assemble the lamp body as drawing.</p>

