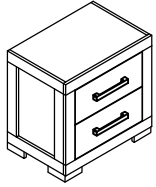


ASSEMBLY INSTRUCTIONS FOR NIGHT STAND, CHEST & DRESSER

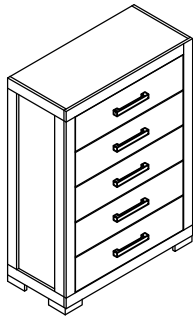
ASSEMBLY TIPS :

1. Remove hardware from box and sort by size.
2. Please check to see that all hardware and parts are present prior to start of assembly.
3. Please follow attached instructions in the same sequence as numbered to assure fast and easy assembly.

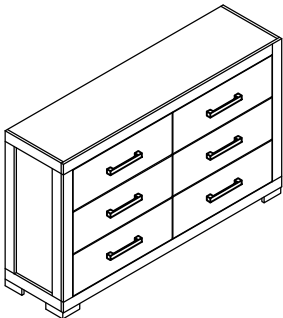
REVISION : A



NIGHT STAND (2 drawers)

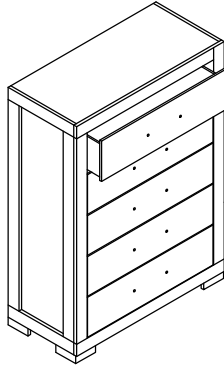


CHEST (5 drawers)

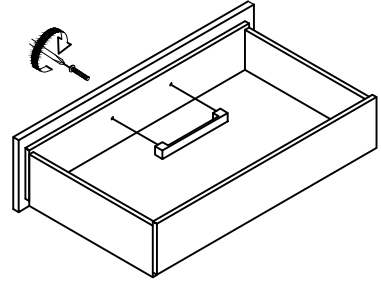


DRESSER (6 drawers)

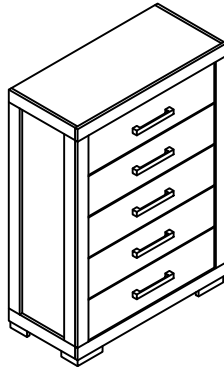
STEP 1: Pull out the **Drawer** of casegoods.



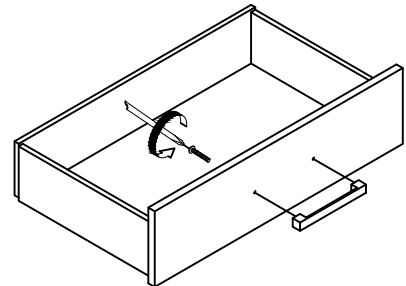
STEP 2: Use Screwdriver to remove the screws & handle.



STEP 4: Repeat the step 1 - 3 for the other drawers.

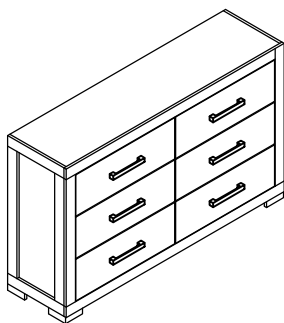


STEP 3: Position the handle in front of drawer panel and screw it tightly with the same screw.



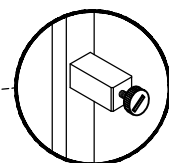
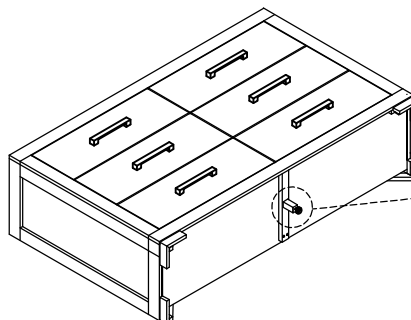
MODEL : LISA-DR

REVISION : A



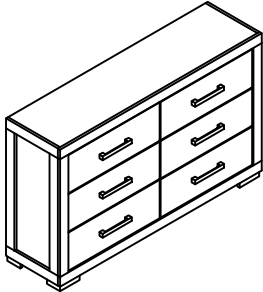




DRESSER

STEP 1: Align and tighten center support leg to bottom panel of dresser.



STEP 1

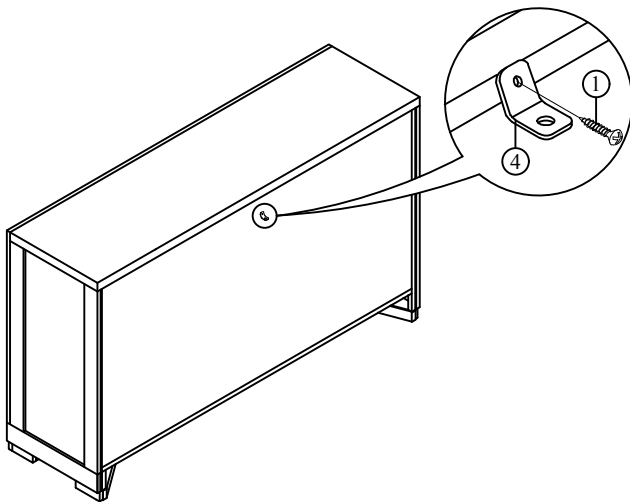
ANTI TIPPING KIT

PARTS IDENTIFICATION		HARDWARE IDENTIFICATION				
A. Dresser		1 Set	1		16mm Screw	1 Pc
			2		50mm Screw	1 Pc
			3		Tie Strap	1 Pc
			4		L Bracket	2 Pcs

THIS TIP RESTRAINT MUST BE ATTACHED TO A WALL STUD USING 50mm SCREW ENCLOSED

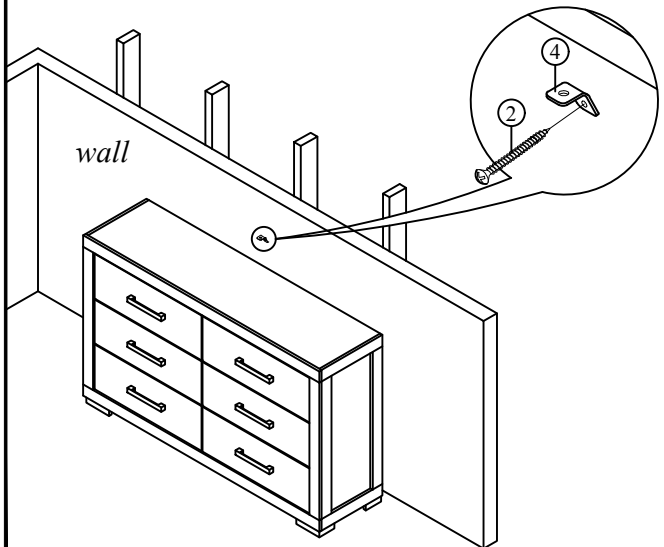
STEP 1

Attach the bracket securely to the back top rail of the Dresser using 16mm screw provided, through the smaller hole.



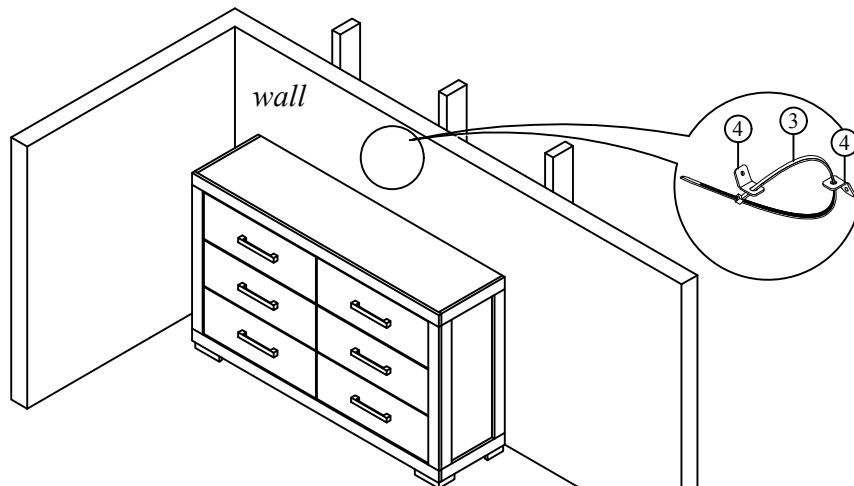
STEP 2

Locate the other bracket on the wall over a wall stud and two inches below the mounting bracket secured to the back of Dresser. Attached to the wall stud using the 50mm screw provided, through the smaller hole.

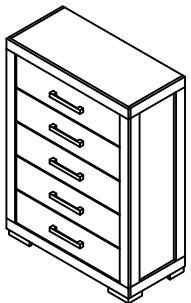






STEP 3

Place the Dresser into position so both mounting brackets are vertically in line. Pull the end of the restraint strap through the larger hole in each mounting bracket. Bring both ends together and slide the flat end through the locking end and draw it through until all slack is removed. Check that the strap is securely laced and locked.



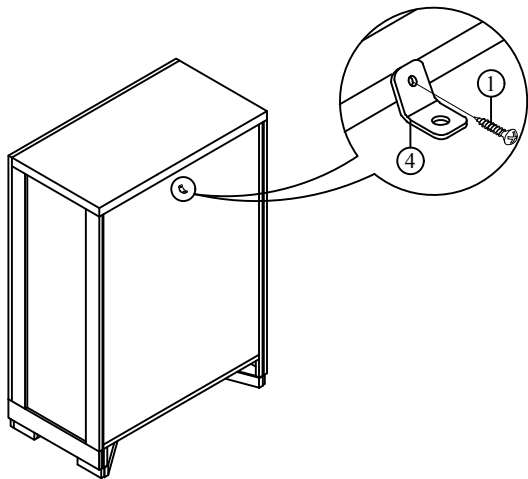
ANTI TIPPING KIT

PARTS IDENTIFICATION		HARDWARE IDENTIFICATION				
A. Chest		1 Set	1		16mm Screw	1 Pc
			2		50mm Screw	1 Pc
			3		Tie Strap	1 Pc
			4		L Bracket	2 Pcs

THIS TIP RESTRAINT MUST BE ATTACHED TO A WALL STUD USING 50mm SCREW ENCLOSED

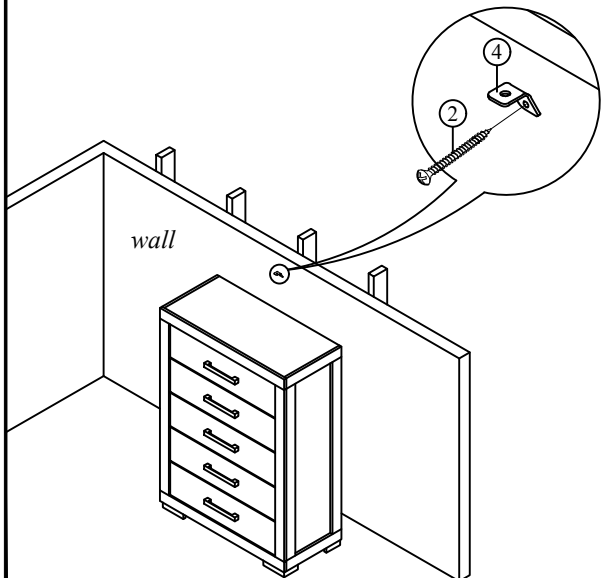
STEP 1

Attach the bracket securely to the back top rail of the Chest using 16mm screw provided, through the smaller hole.



STEP 2

Locate the other bracket on the wall over a wall stud and two inches below the mounting bracket secured to the back of Chest. Attached to the wall stud using the 50mm screw provided, through the smaller hole.



STEP 3

Place the Chest into position so both mounting brackets are vertically in line. Pull the end of the restraint strap through the larger hole in each mounting bracket. Bring both ends together and slide the flat end through the locking end and draw it through until all slack is removed. Check that the strap is securely laced and locked.

