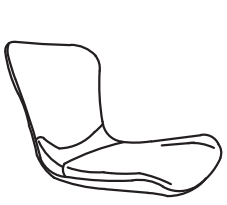
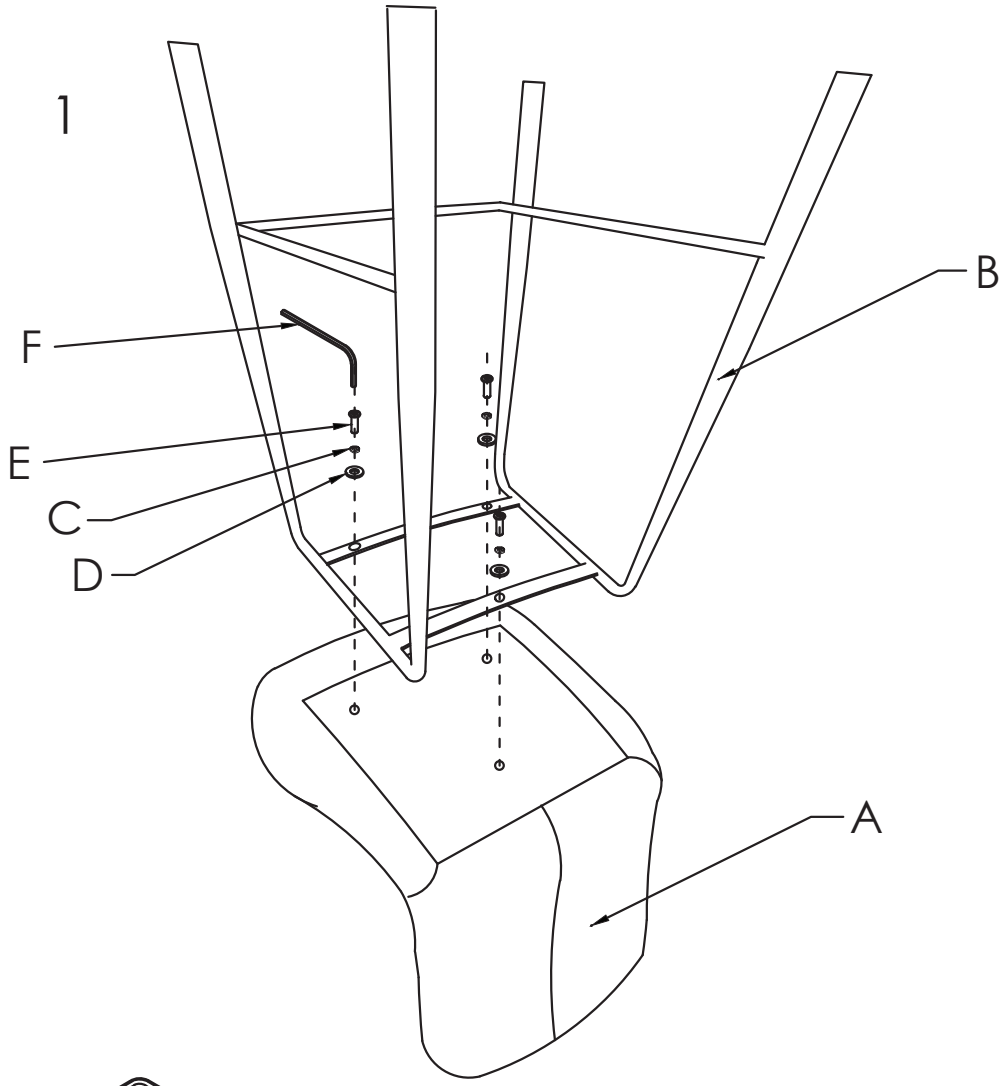
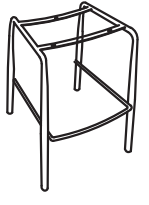


PLEASE NOTE: Check that you have received all components and hardware before assembling.

Assembly Instructions Counter Stool



A (1 pc)



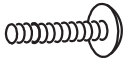
B (1 pc)



C (3 pcs)



D (3 pcs)



E (3 pcs)
M6-1x20mm



F (1 pc)

During assembly, hand tighten screws only. When the screws are in place, tighten completely.