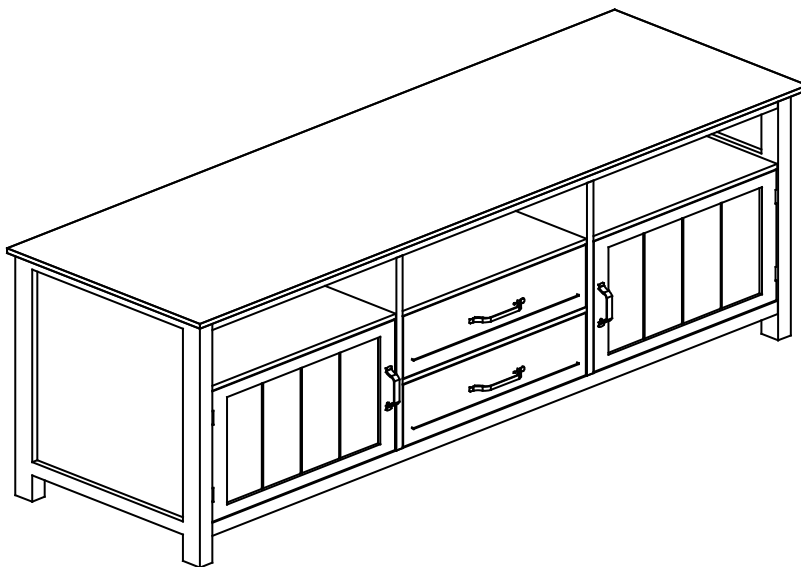
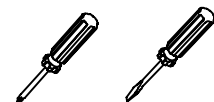


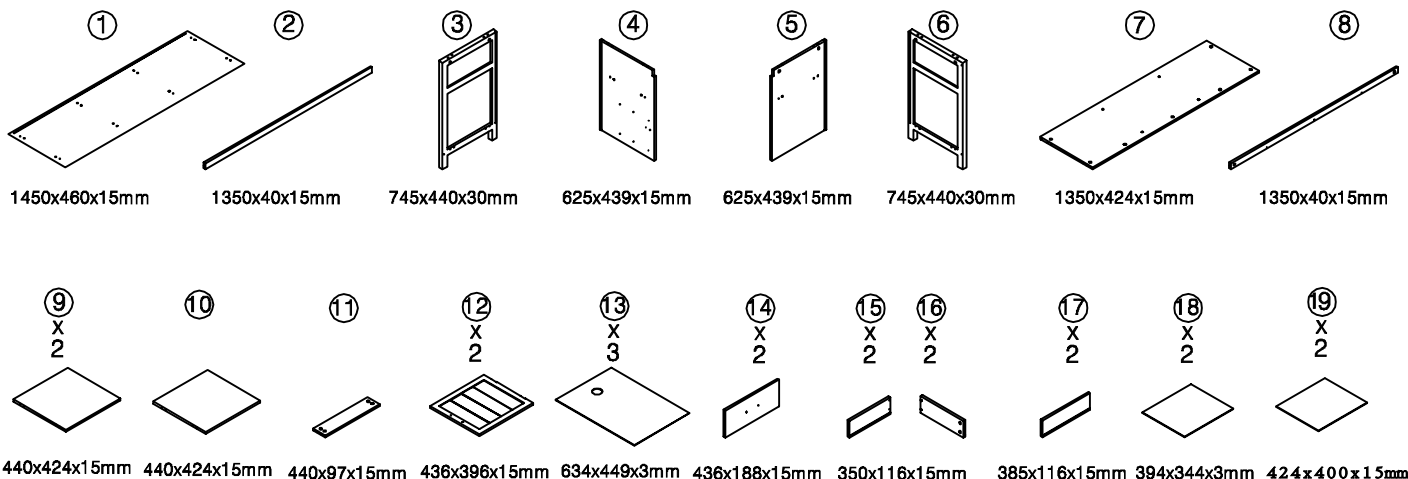
# User Manual



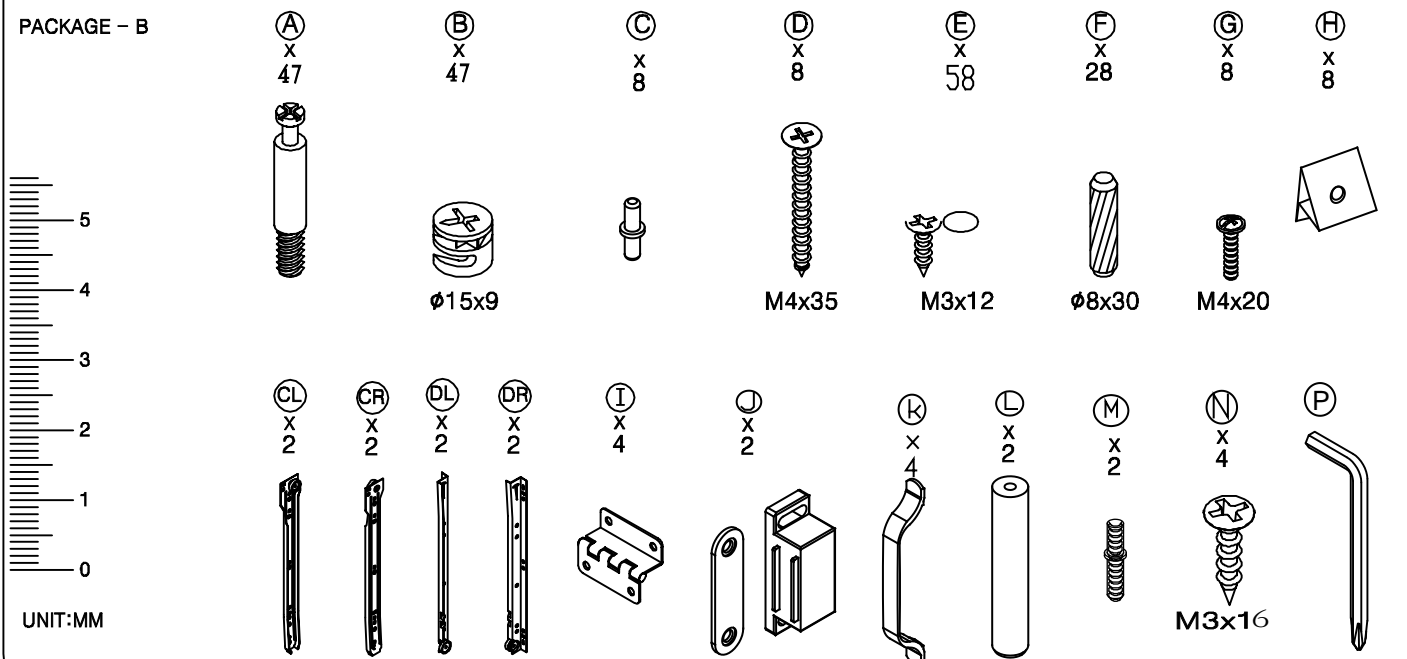
## TOOLS:



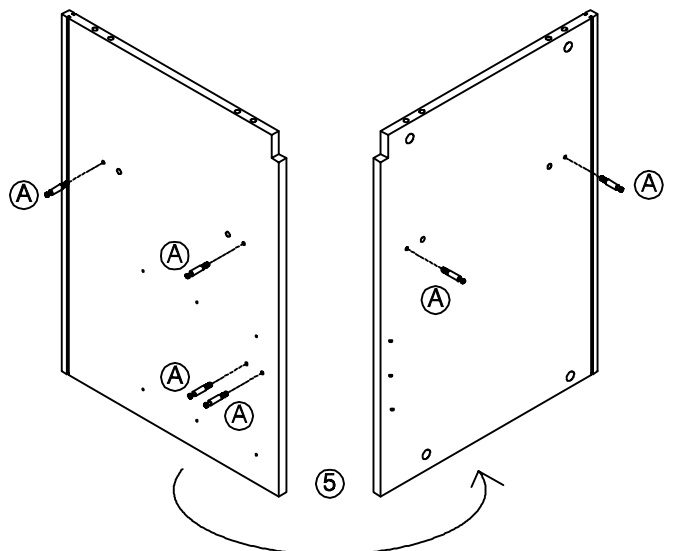
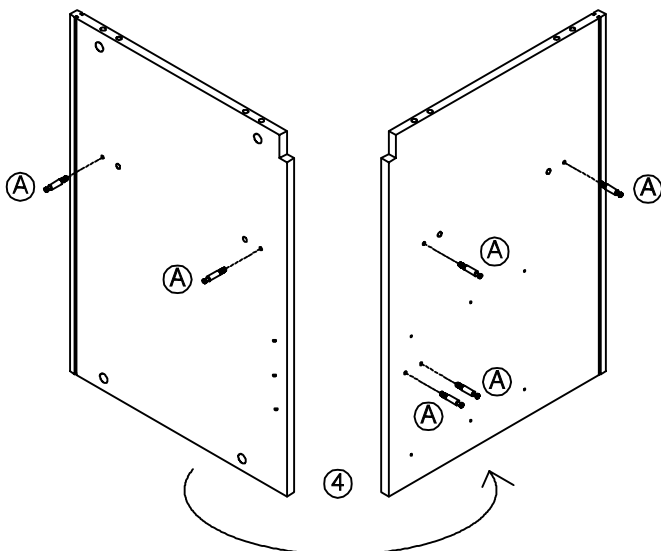
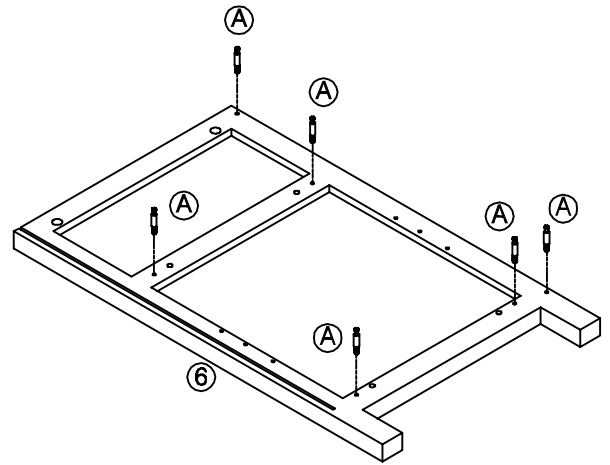
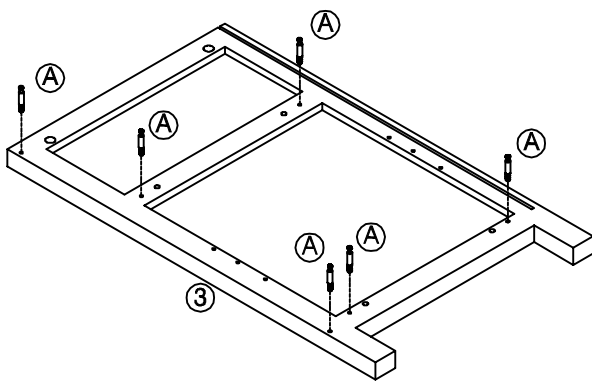
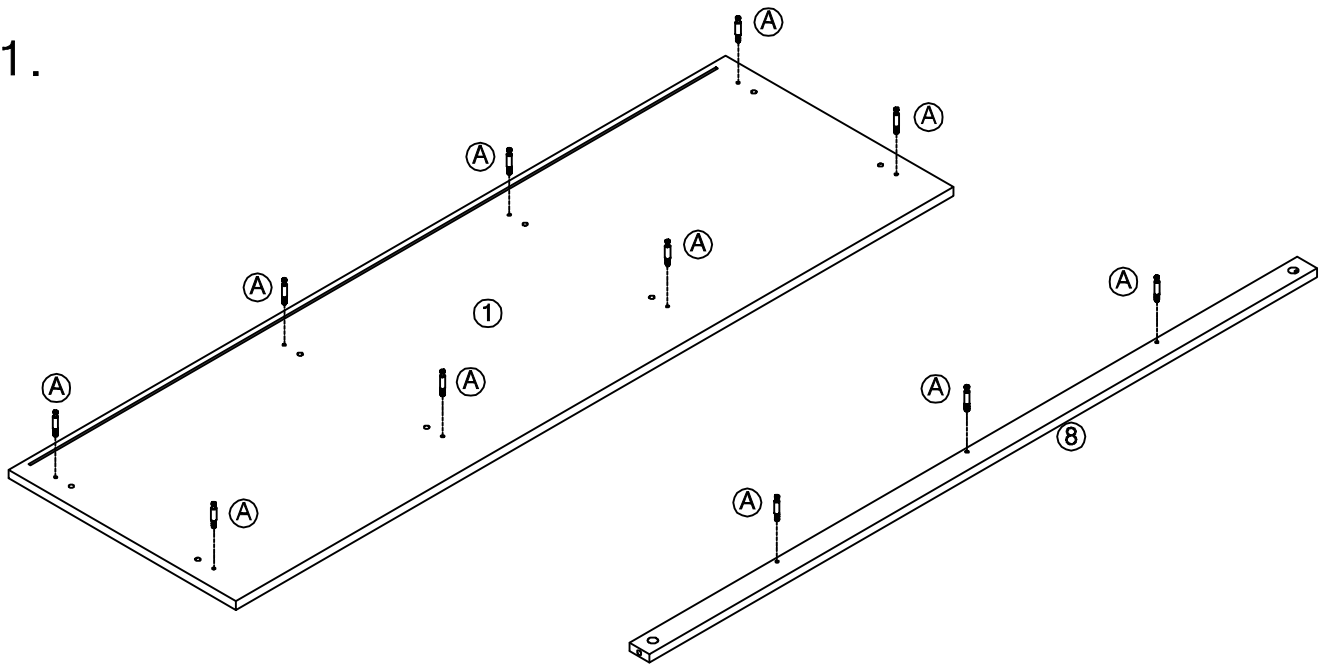
### UNIT-MM PACKAGE - A



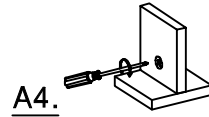
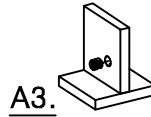
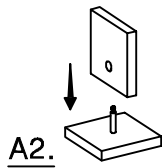
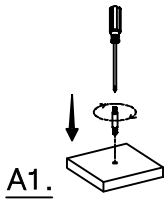
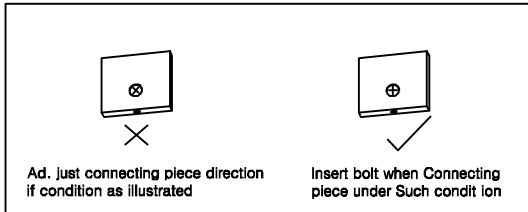
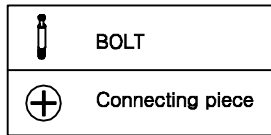
### PACKAGE - B



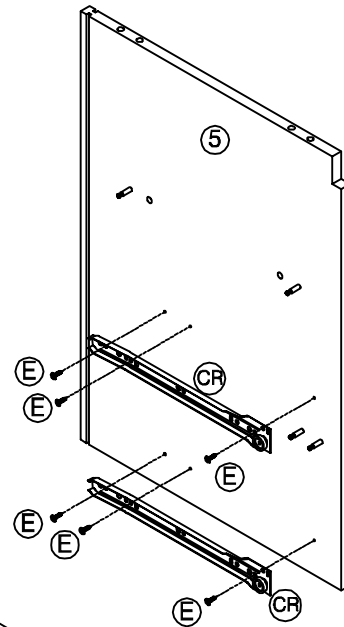
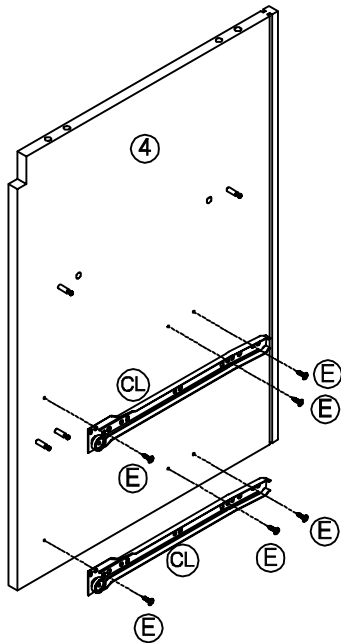
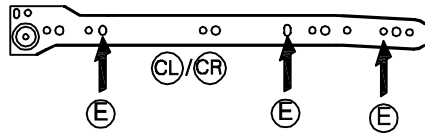
1.



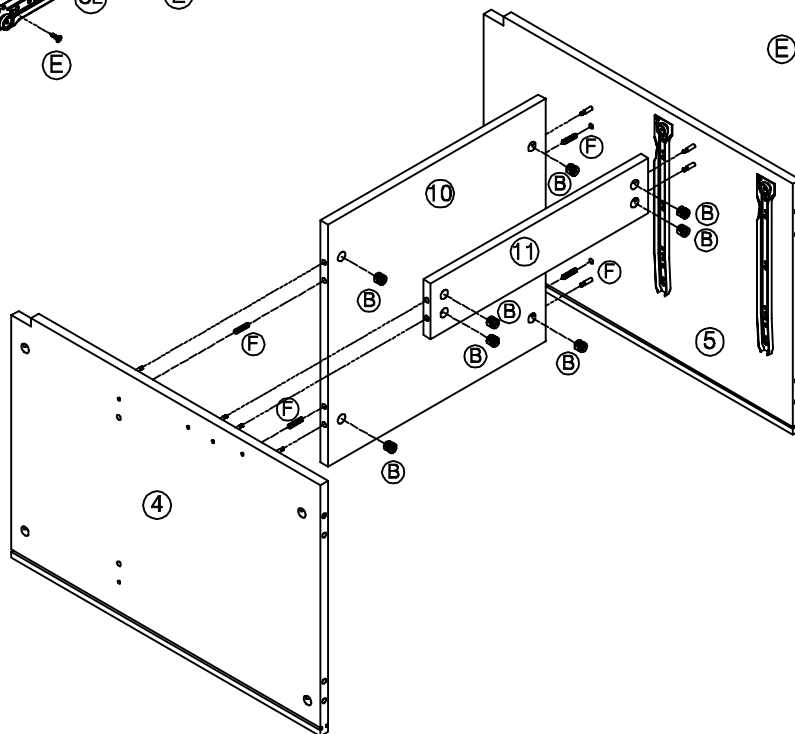
**BOLT INSTALLATION AS BELOW:**



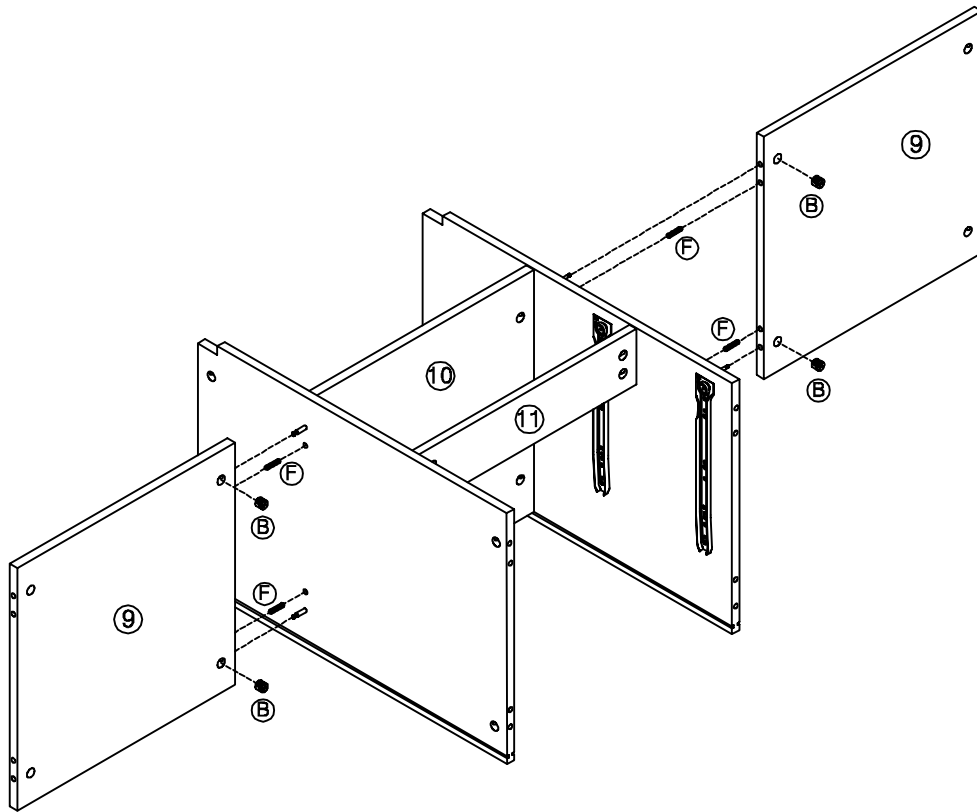
**2.**



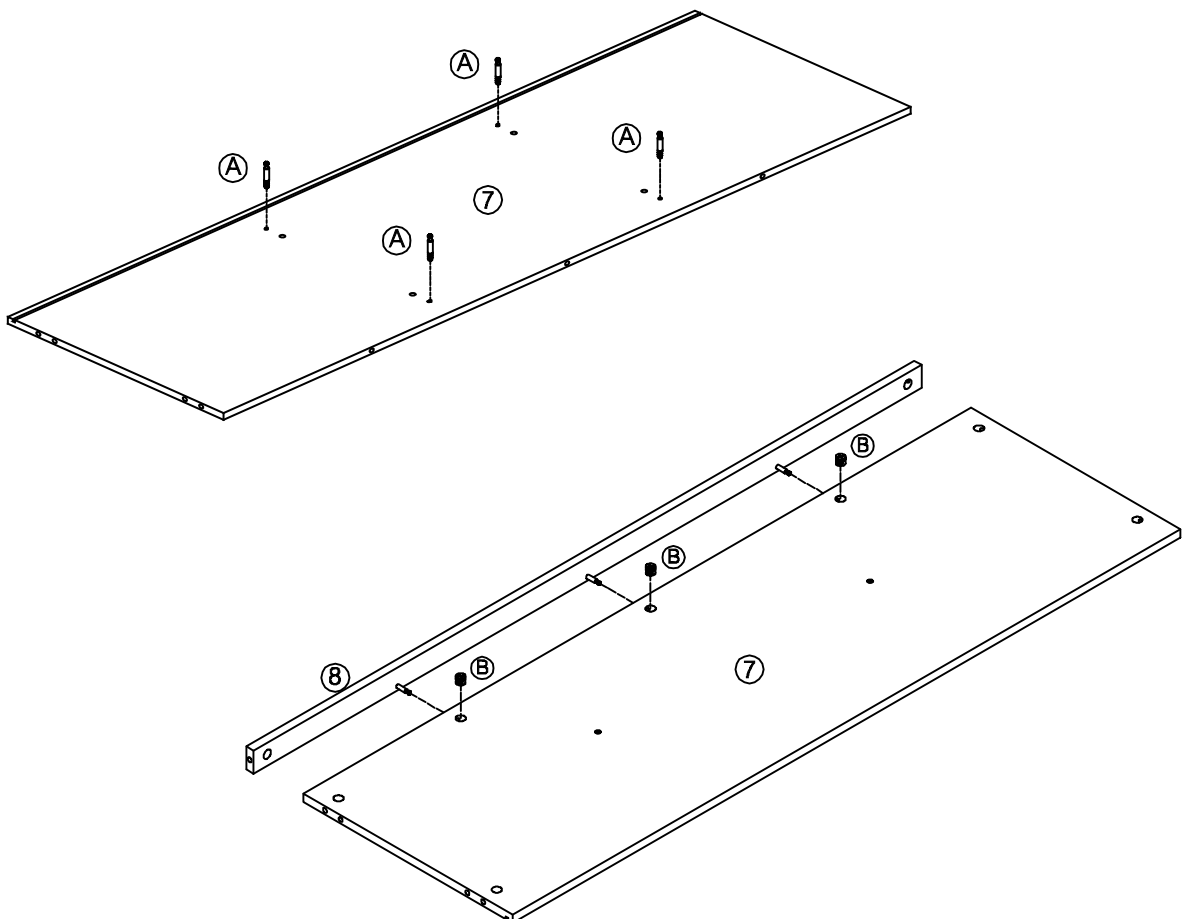
**3.**



4.

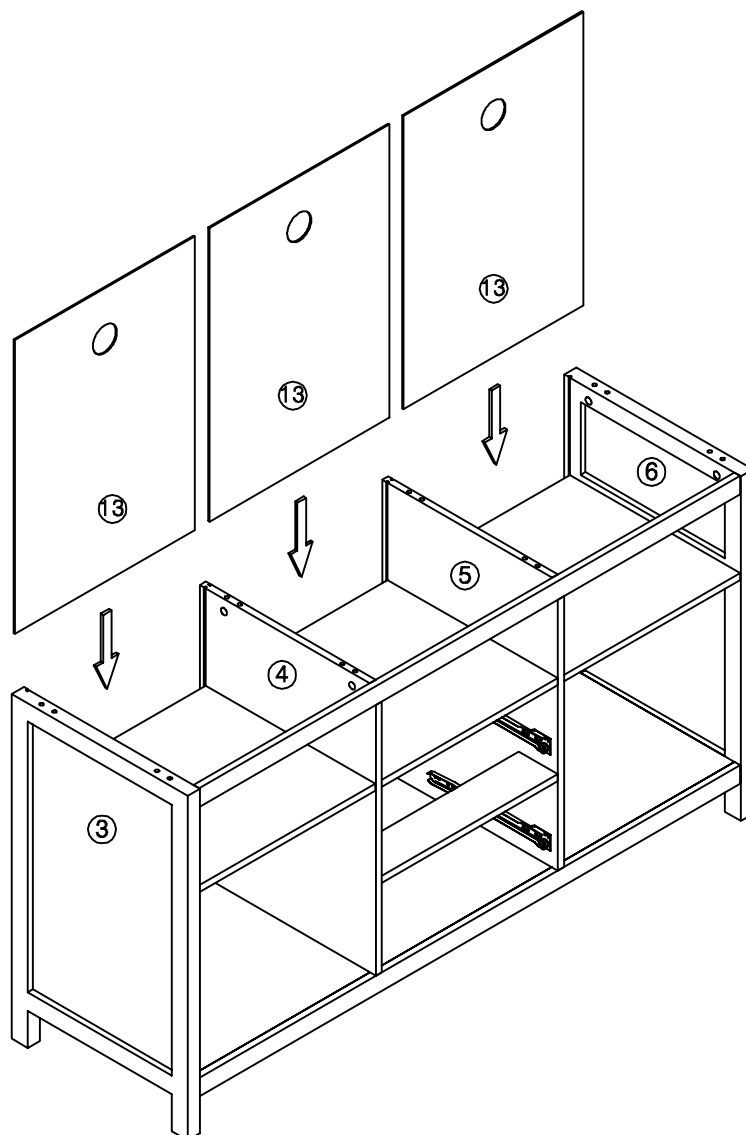


5.

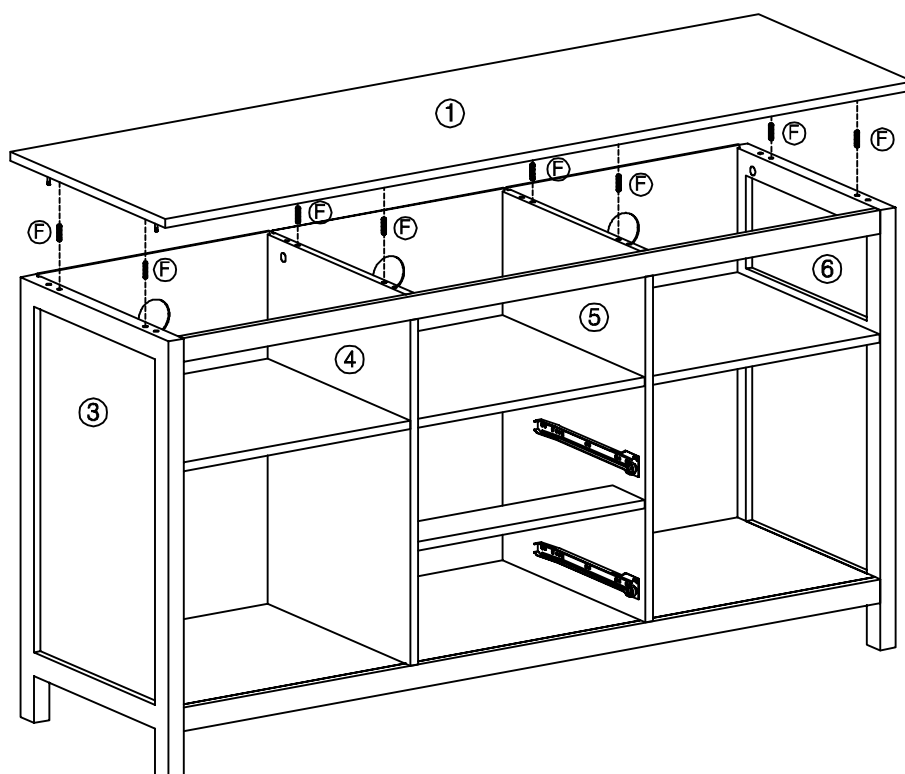




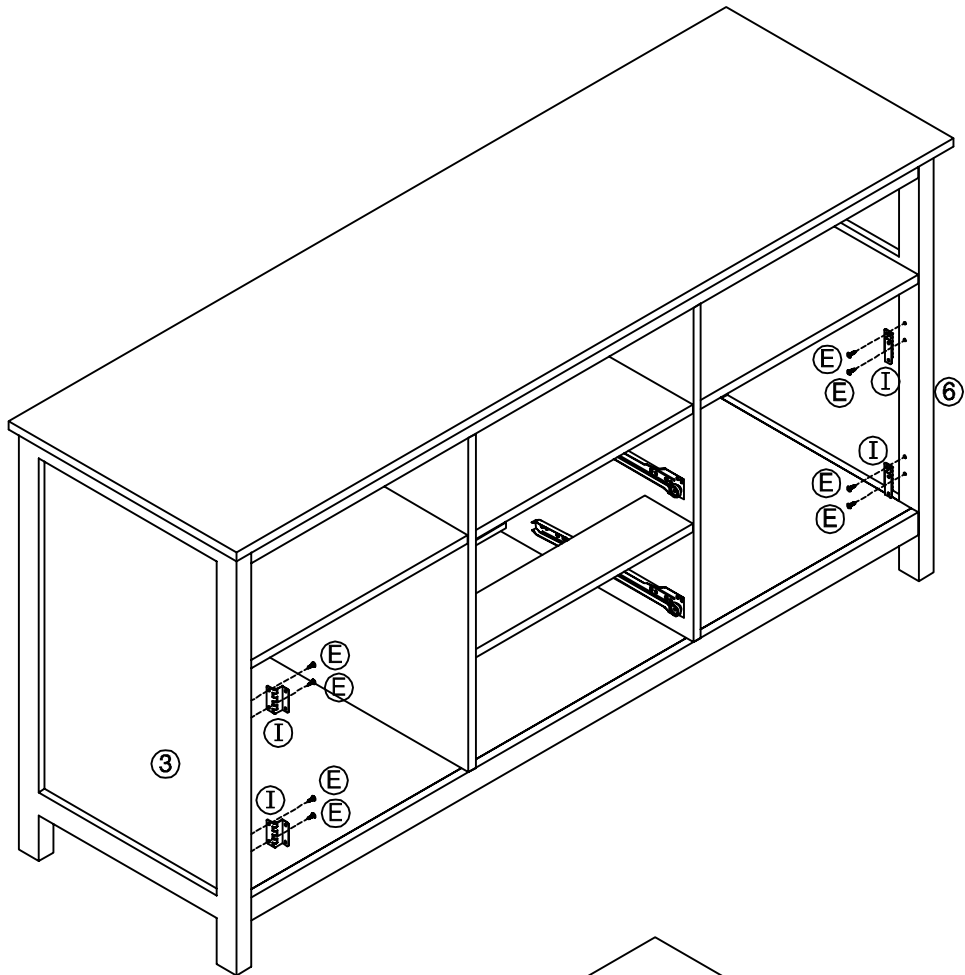
8.



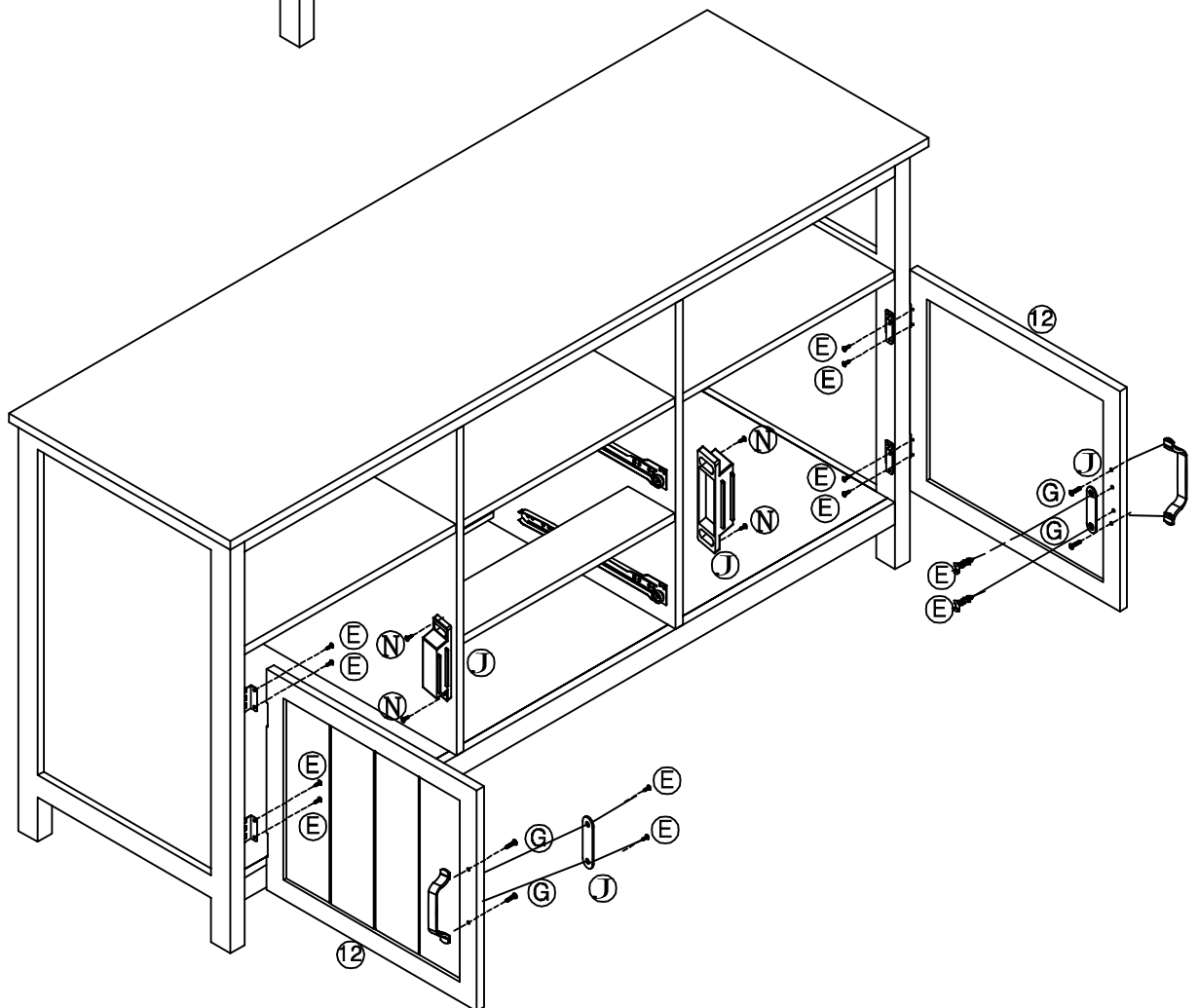
9.



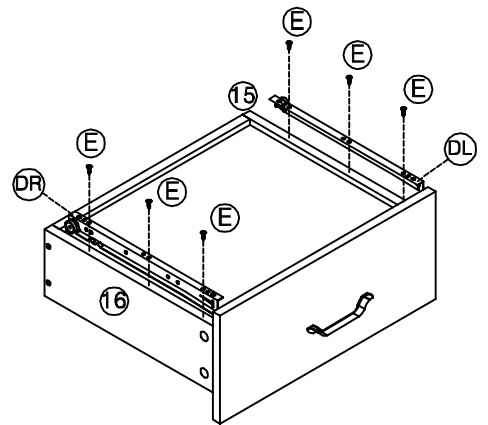
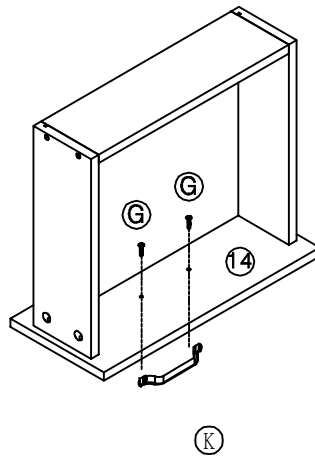
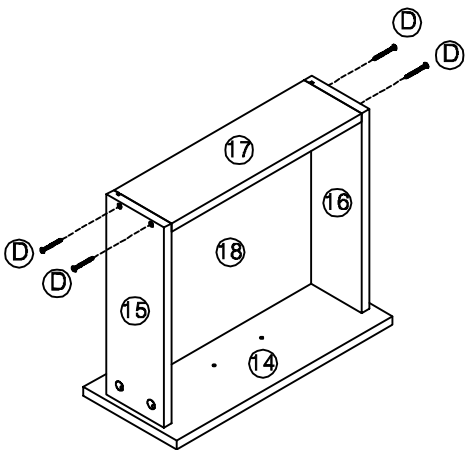
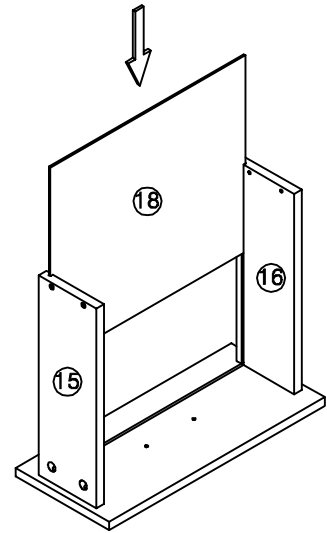
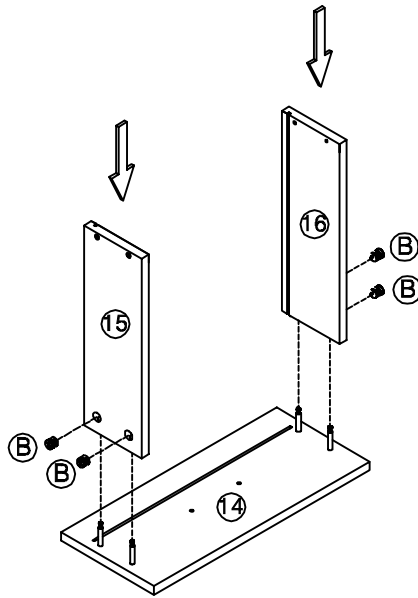
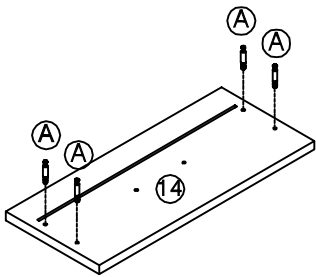
10.



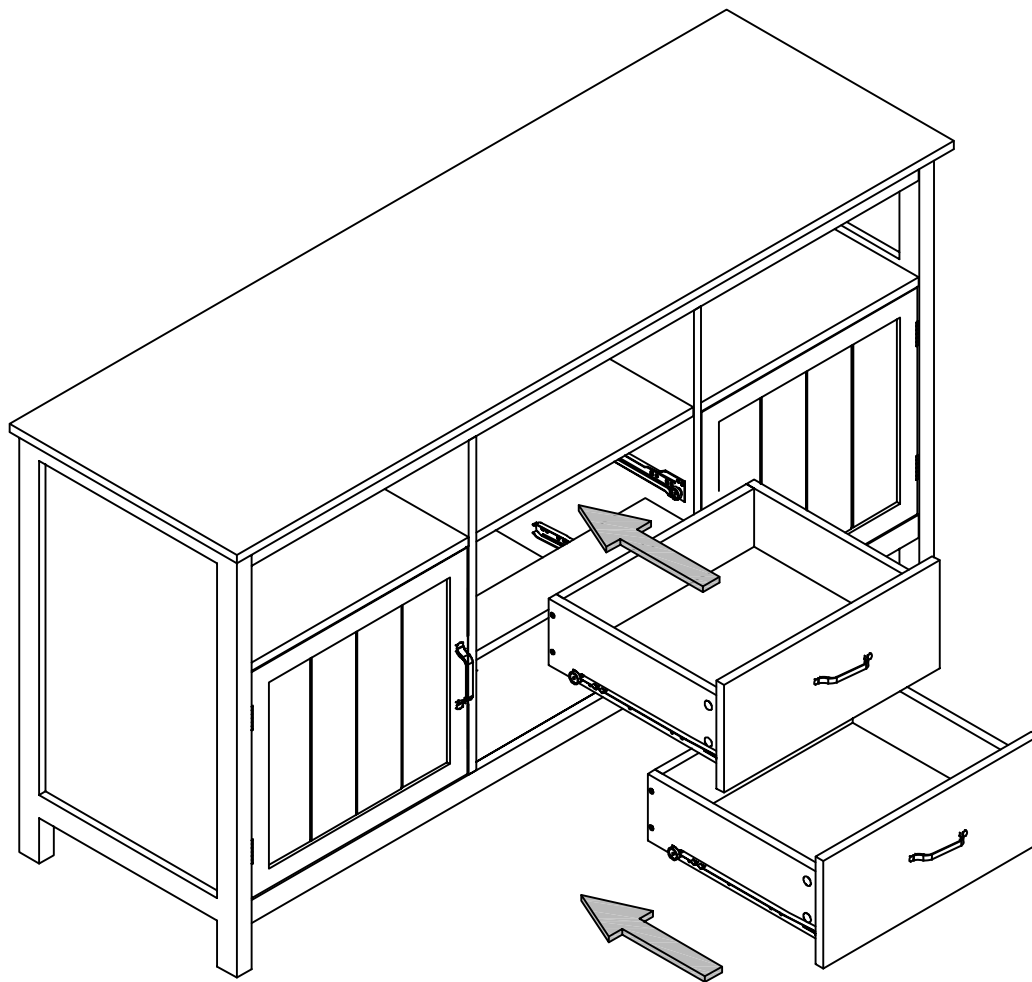
11.



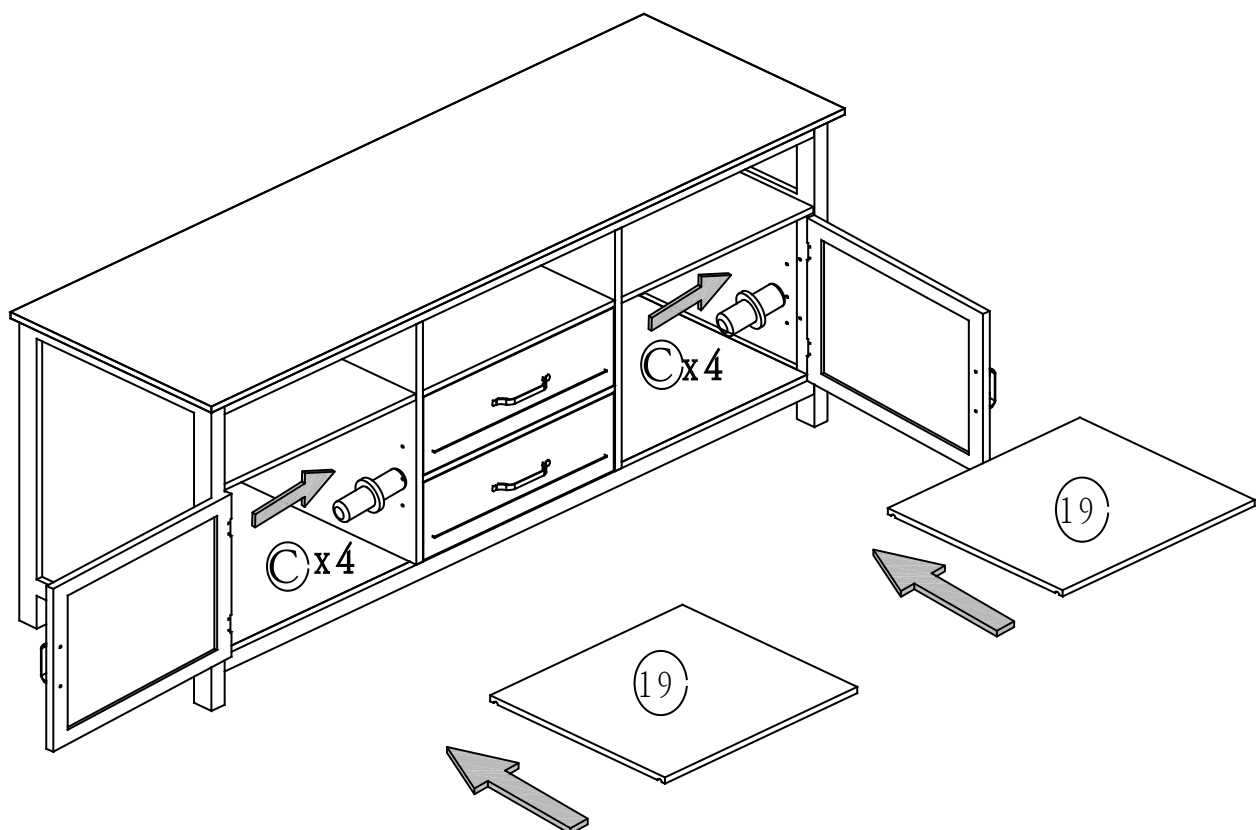
12.



13.



14.



15.

