






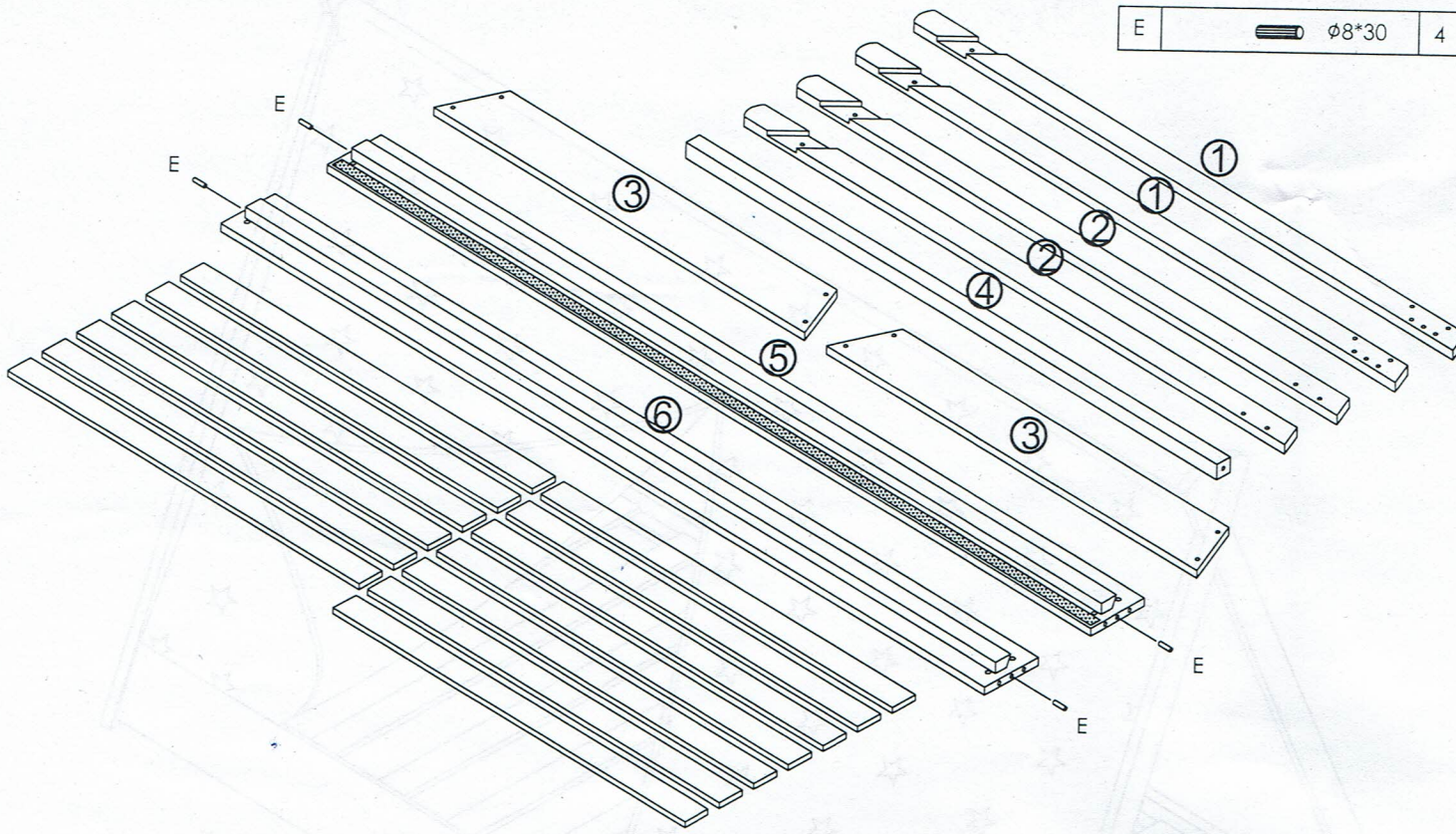
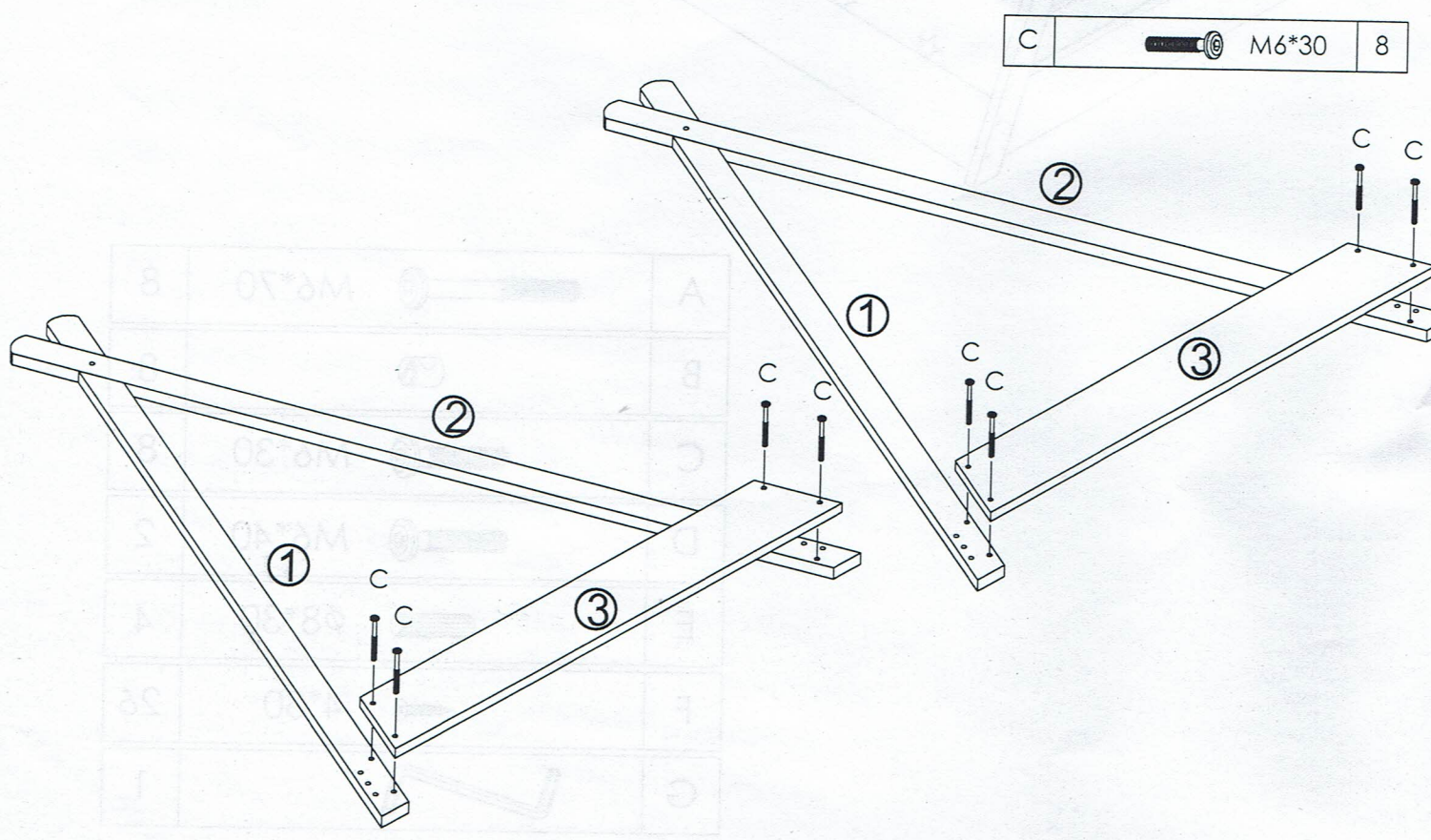


A		M6*70	8
B			8
C		M6*30	8
D		M6*40	2
E		∅8*30	4
F		4*30	26
G			1




STEP:1

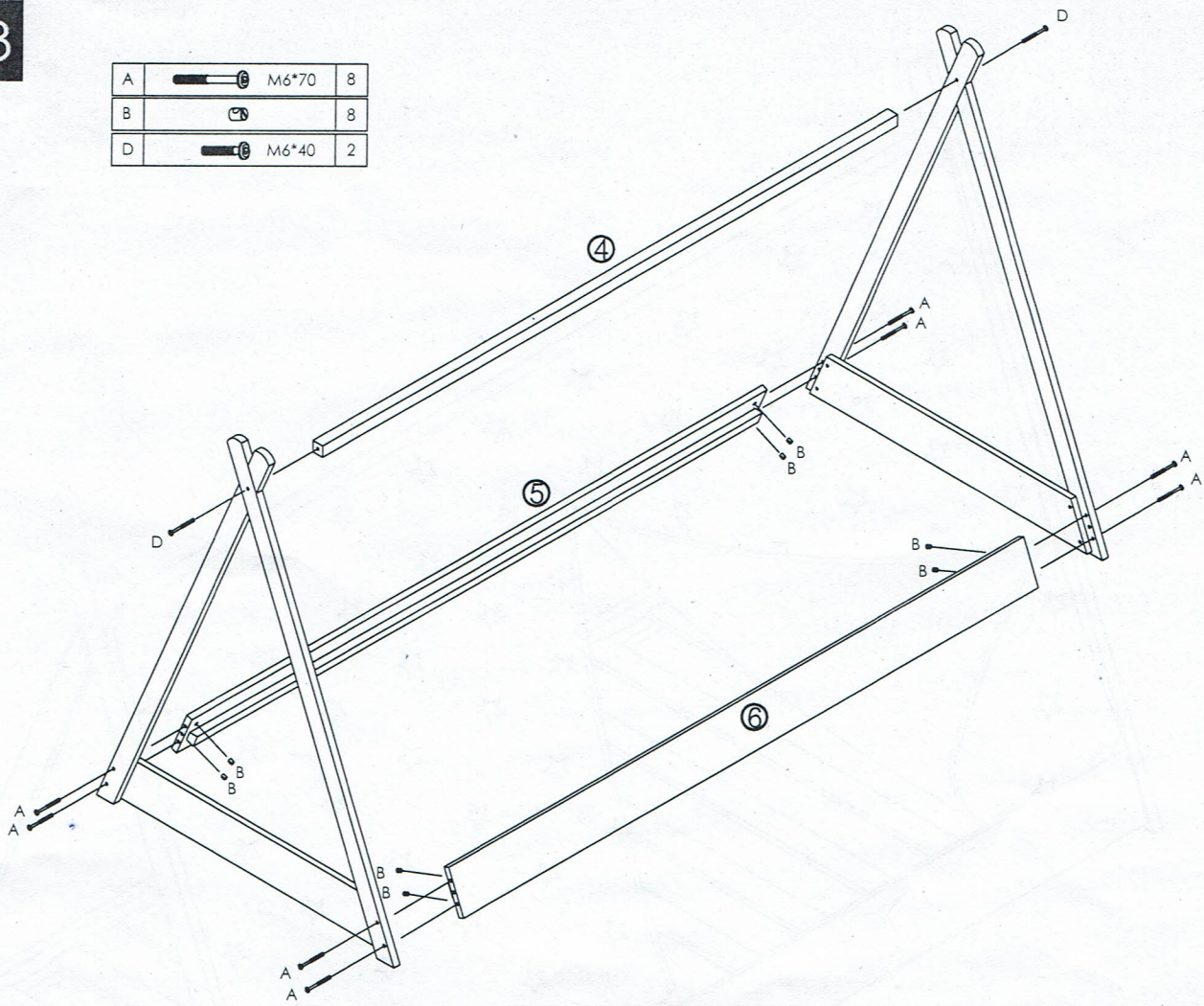


STEP:2




STEP:3

A		M6*70	8
B			8
D		M6*40	2



STEP:4

F		4*30	26
---	---	------	----

