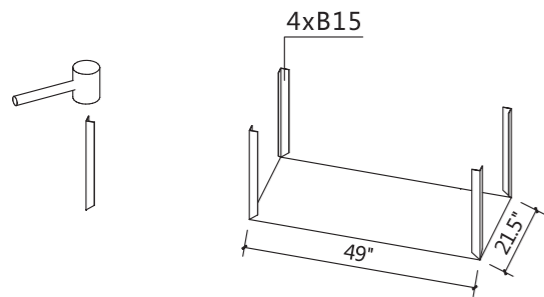


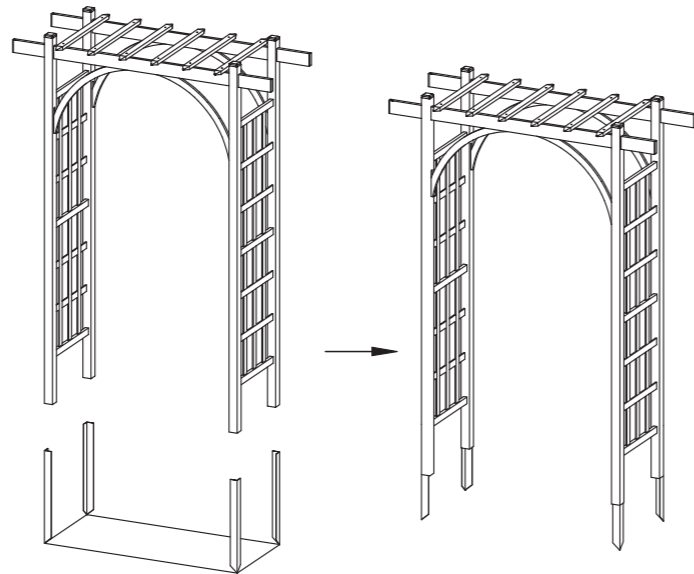
Step9

Insert the metal stakes at the marked location, 10" below ground and 11" above ground. Repeat this step to insert another three(3) metal stakes.

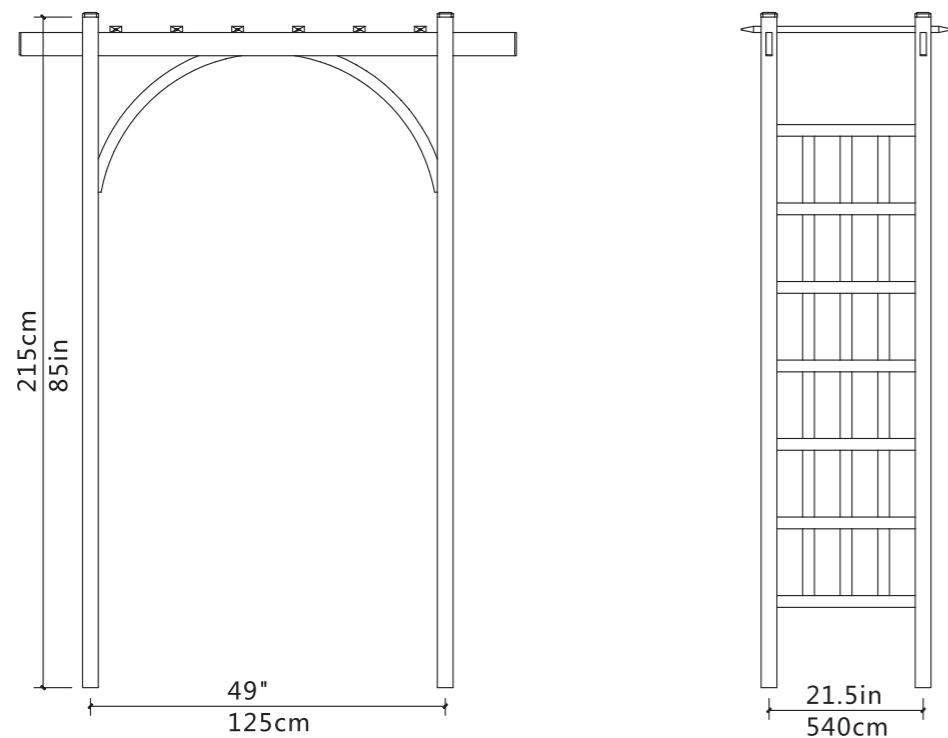


Step10

Attach the arbor to the top of your finished metal stakes. Congratulations on finishing it, it will make your garden even more perfect when placed on it.

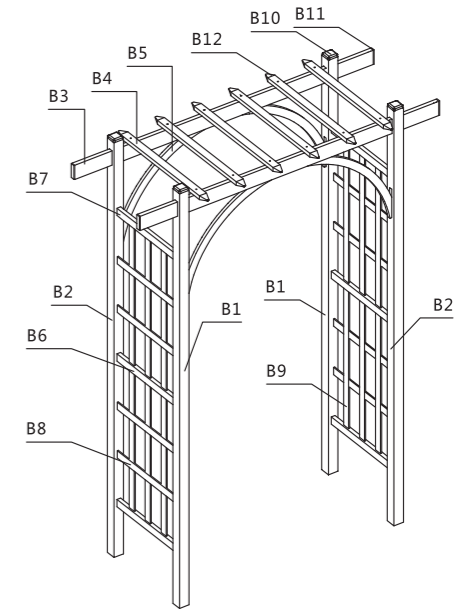


Drawing



PVC GARDEN ARBOR

Size: 85" x 49" x 21.5"



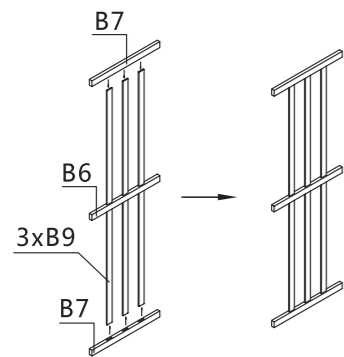
Parts List

PARTS	CODE	QUANTITY	DESCRIPTION	PARTS	CODE	QUANTITY	DESCRIPTION
	B1	2	Post 2"x2"85"		B3	2	Rail 2.75"x0.98"61"
	B2	2	Post 2"x2"85"				
	B4	6	Top Picket 1.5"x0.78"x23.6"		B5	4	Side Bracing 1.5"x0.78"x30"
	B6	2	Side Picket 1.5x0.78"x21.3"		B7	4	Side Picket 1.5"x0.78"x21.3"
	B8	8	Side Picket 1.5x0.24x21.3"		B9	6	Side Picket 1.5"x0.24"x61.5"
	B10	4	Post Cap 2x2				
	B11	4	Post Cap 2.75'x0.98"		B12	12	Top Picket Cap
	B13	12	M3.5/Screws for Top Picket/1.25"		B14	20	M3.5/Screws for Post/0.98"
	B15	4	Stand Steel 21.6"				

Assembly Instruction

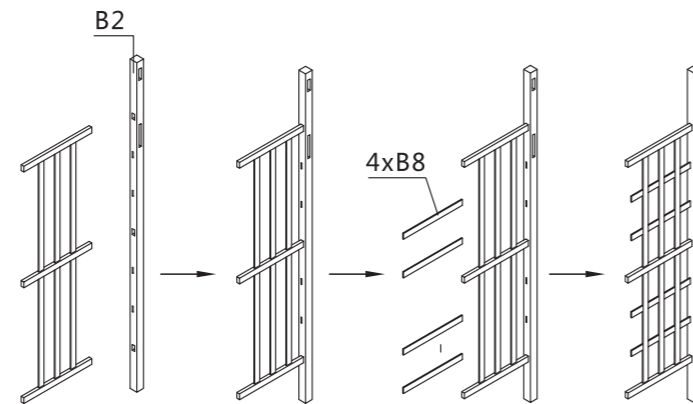
Step 1

Cross three B9 through one B6, then apply two B7 on both ends.



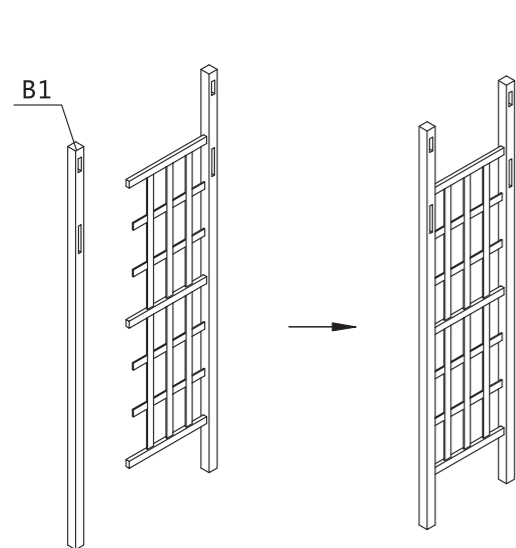
Step 2

Use one B2 to connect what was assembled in the first step, and insert four B8.(as shown below)



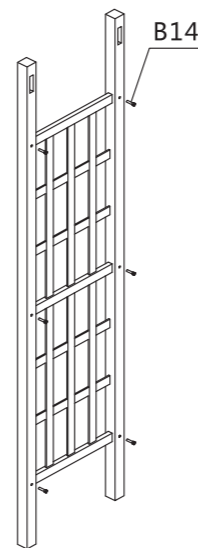
Step 3

Use one B1 to insert it directly and fix it firmly.



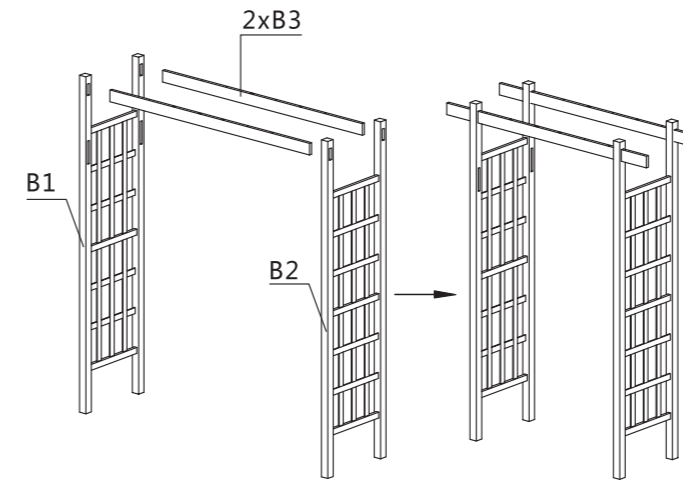
Step 4

Use an electric drill to secure the B14 screws to the side panel, and repeat this step to create the other side. (Product does not include electric drill)



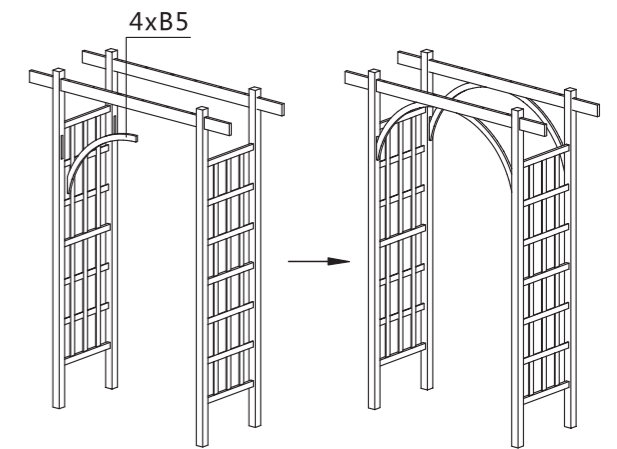
Step 5

Insert two B3 cross sections between both columns B1 and B2. At this step, you can put the side panel down to make it easier for you to install it.



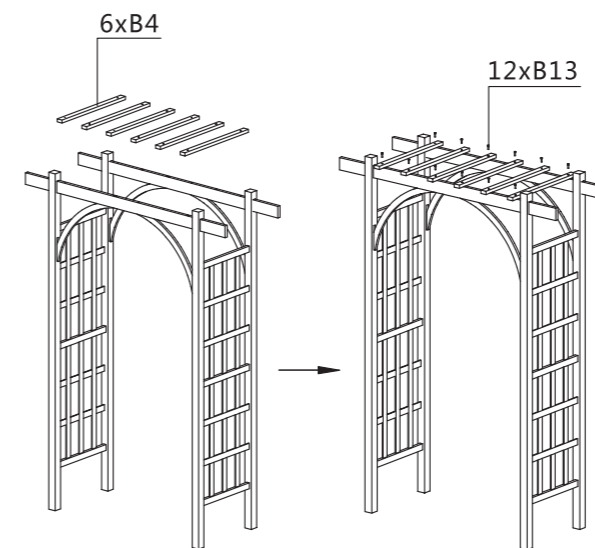
Step 6

Insert an arc segment B5 to connect B1 and B3, then repeat this step to insert another three arcs B5.



Step 7

Place the six B4 on the top of B3, and use an electric drill to secure the B13 screws to fix it. (Product does not include electric drill)



Step 8

Place B10 into the post, B11 into the rail, B12 into the top pickets (B4). (as shown below)

