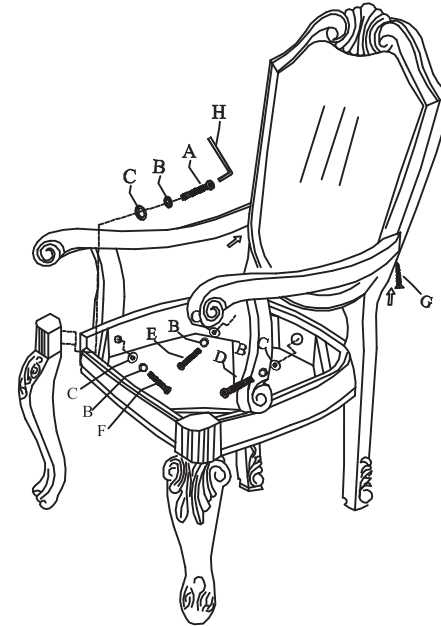


ASSEMBLY INSTRUCTION









Thank you for purchasing this quality product. Be sure to check all packing material carefully for small parts which may have come loose inside the carton during shipment. Separate, identify and count all parts and hardware. Compare with the parts list to be sure all parts are present. "DO NOT TIGHTEN SCREWS UNTIL COMPLETELY ASSEMBLED"

IMPORTANT:
PLEASE READ INSTRUCTION BEFORE STARTING THE ASSEMBLY

Step 1:



Hardware List:

| NO. | Description | Drawing | Size | Q'ty |
|----------|--------------|---|-----------------|------|
| A | Middle Bolt |  | ø5/16" * 2-1/4" | 4 |
| B | Lock Washer |  | ø5/16" * 12mm | 11 |
| C | Flat Washer |  | ø5/16" * 22mm | 11 |
| D | Short Bolt |  | ø5/16" * 1-1/2" | 1 |
| E | Long Bolt |  | ø5/16" * 3-1/4" | 4 |
| F | Arm Bolt |  | ø5/16" * 1-1/2" | 2 |
| G | Wood Screw |  | ø8" * 1-1/2" | 2 |
| H | Allen Wrench |  | 5mm | 1 |

Finish:

