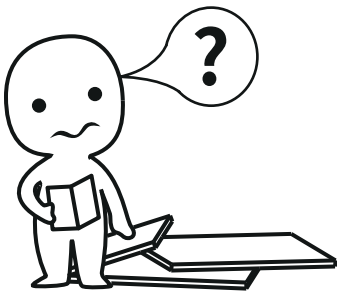


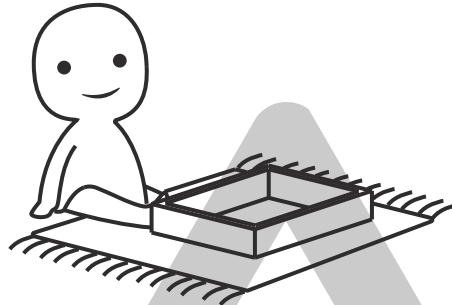
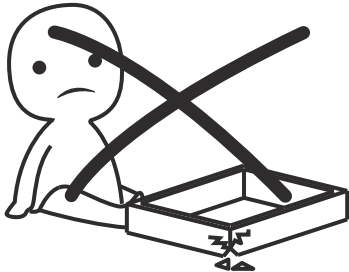
Nine bucket cabinets





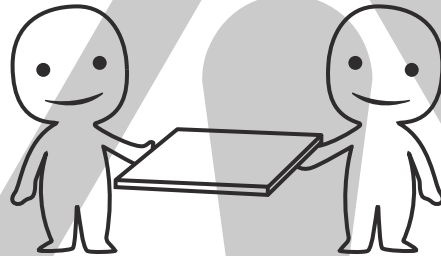
IMPORTANT INFORMATION!

please read the entire manual before starting to assemble and/or using this product. follow the manual thoroughly and keep it for further reference.



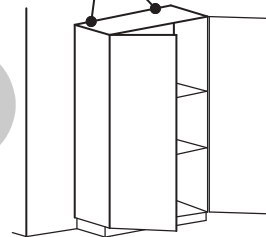
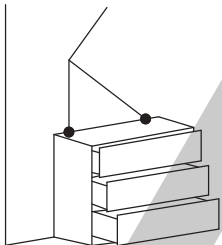
AVOID SCRATCHES!

In order to avoid scratching this furniture should be assembled on a soft layer- could be a rug.



IMPROVE EFFICIENCY !

Try to find a partner to install with you, which can speed up the installation efficiency and shorten the time.



ANTI-TOPPLE WARNING !

Overtipped furniture can cause serious or fatal crush injuries. To prevent tipping over, be sure to use the wall attachment, if not included with this product. Please purchase the wall attachment that fit your wall. If unsure, seek professional advice. Please read and follow each step of the instructions carefully.

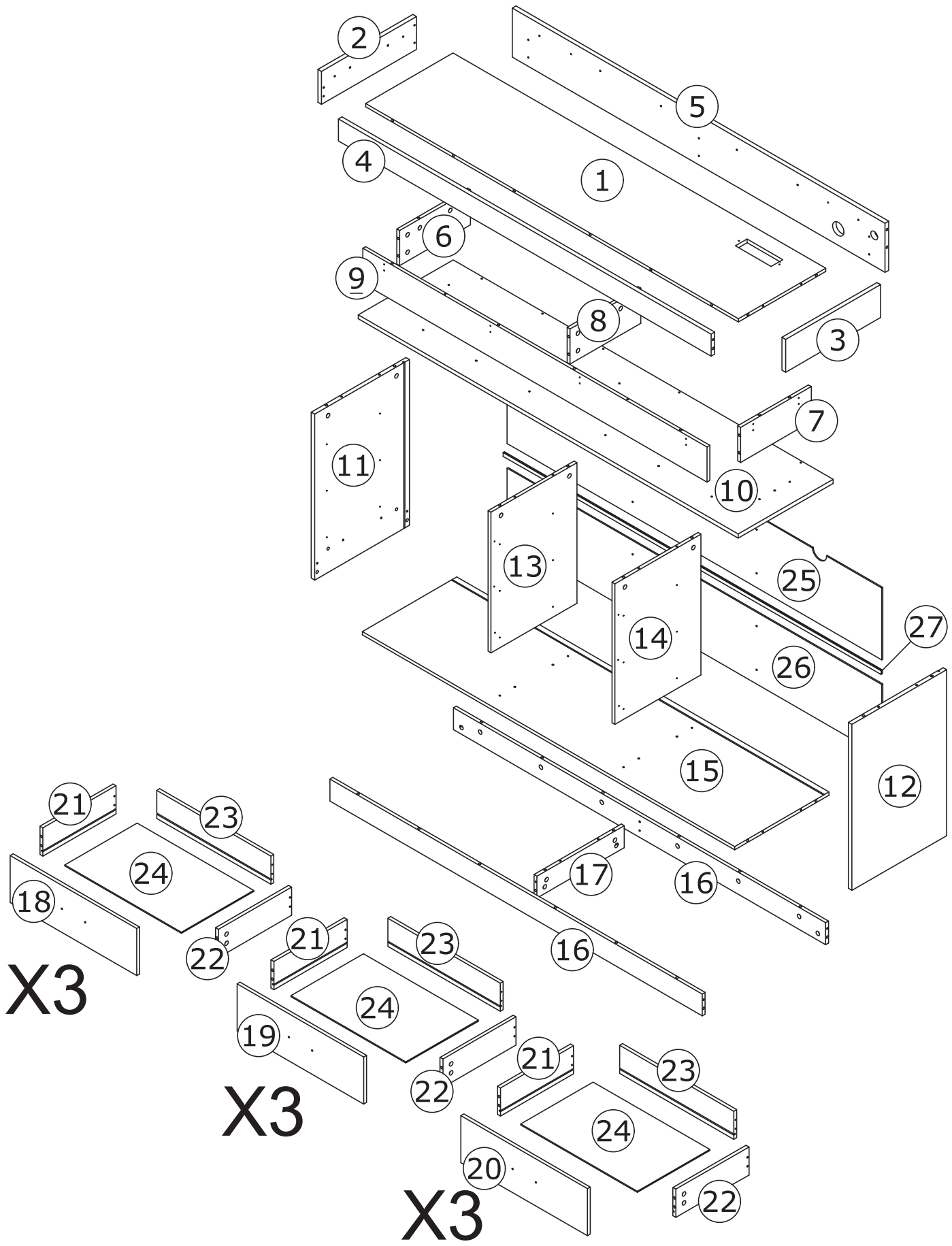
IMPORTANT !

It is important that any product which is assembled using any kind of screw is re-tightened 2 weeks after assembly, and once every 3 months - in order to assure stability through-out the lifespan of the product.

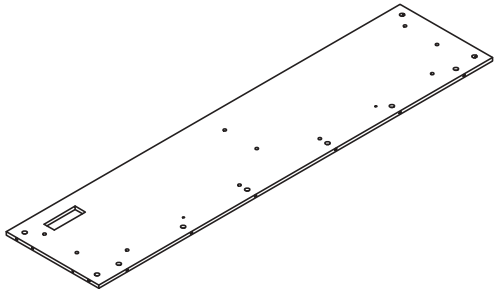
For regular maintenance and cleaning of the product, for the frame, please use a rag dipped in neutral detergent to fully wipe it, and then dry it with a clean rag. For glass materials, wipe with a rag dampened with water glass cleaner, and then dry with a dry rag.

Do not use an electric screwdriver, and do not use too much force when installing, because the board is easy to break.

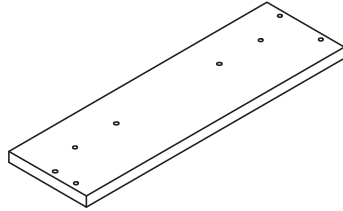
Board Identification



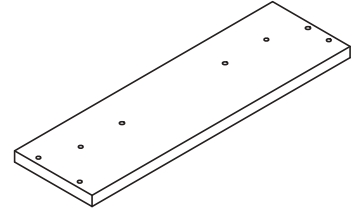
PARTS LIST



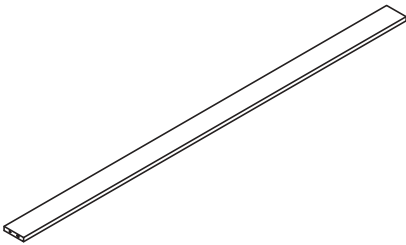
①



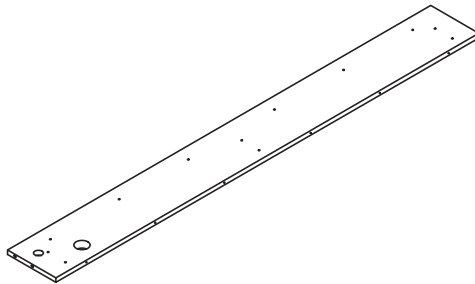
②



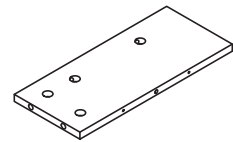
③



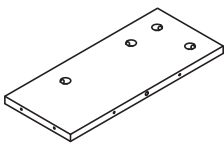
④



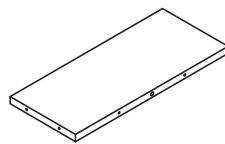
⑤



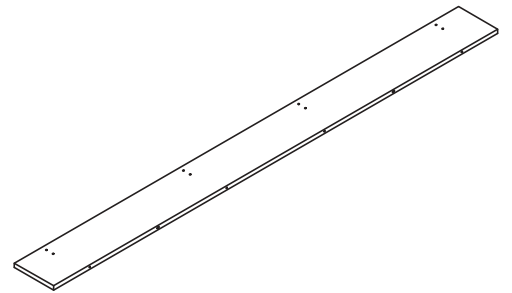
⑥



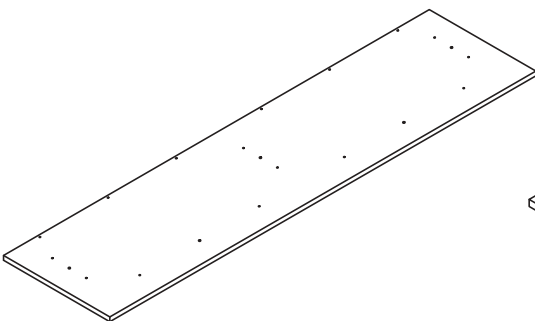
⑦



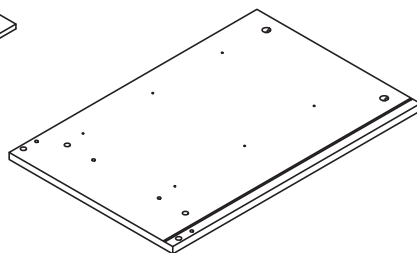
⑧



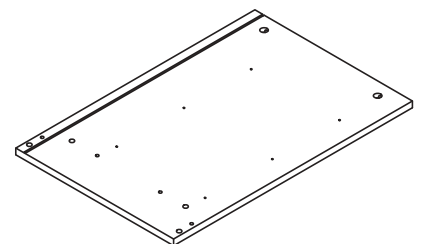
⑨



⑩

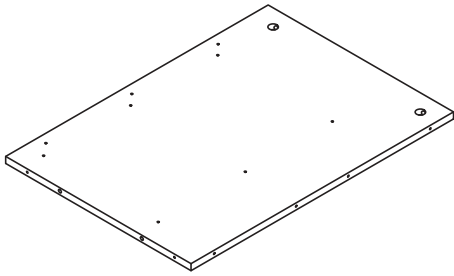


⑪

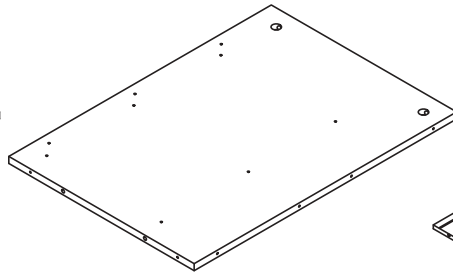


⑫

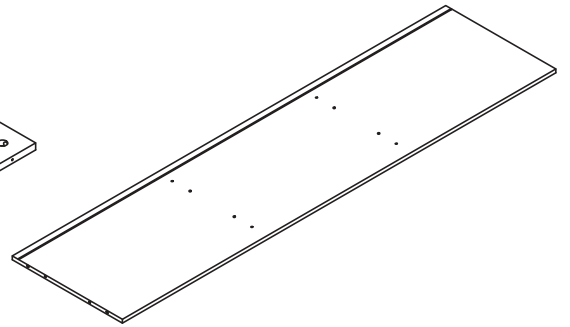
PARTS LIST



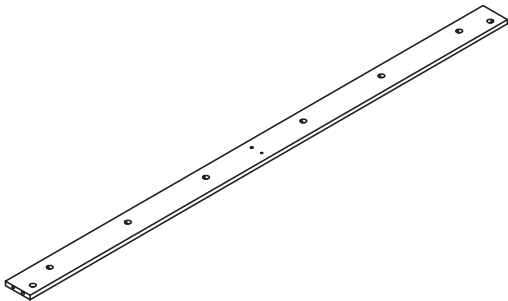
13



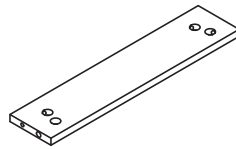
14



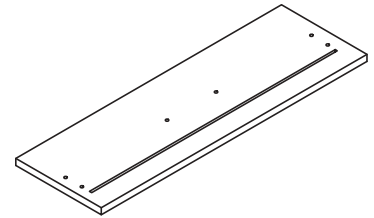
15



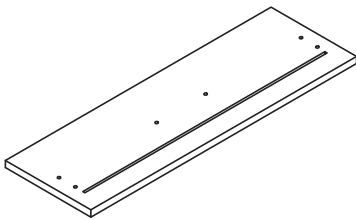
16 X2



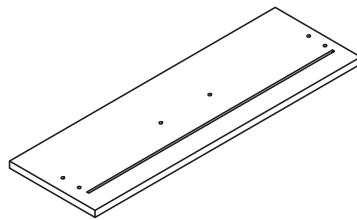
17



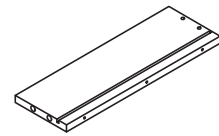
18 X3



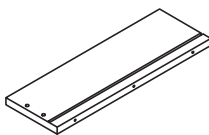
19 X3



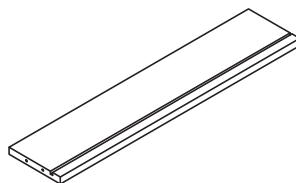
20 X3



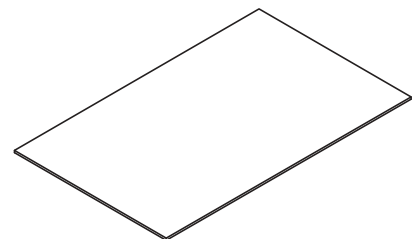
21 X9



22 X9

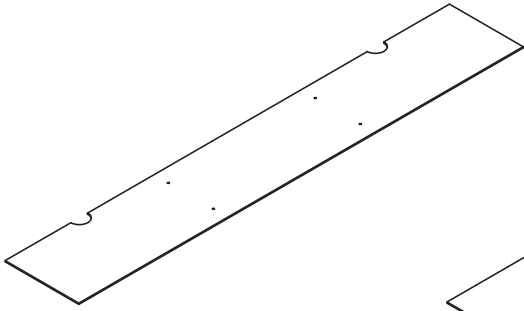


23 X9

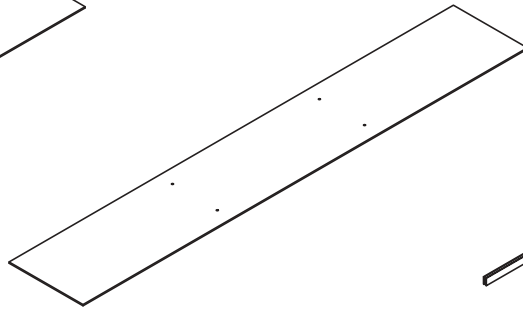


24 X9

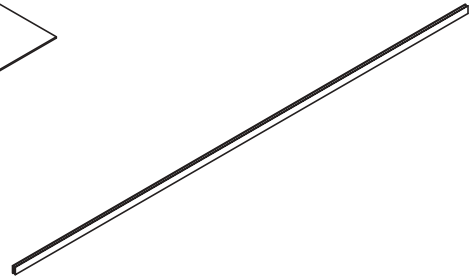
PARTS LIST



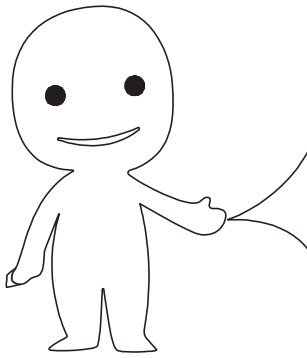
25



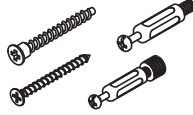
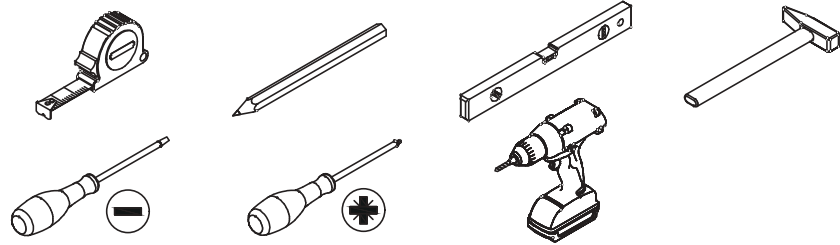
26



27



Please prepare the following tools



When installing, please carefully confirm whether each screw corresponds to the manual, accessories with similar shapes can be distinguished by size

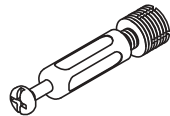
Tips: The number after “+” represents the spare hardware.

A x 100



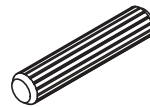
∅15 x 9.5 mm

B x 40



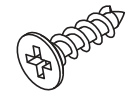
∅7 x 40 mm

C x 39



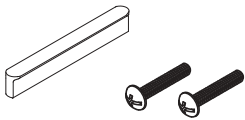
∅6 x 30 mm

D x 114



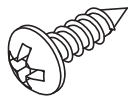
∅3.5 x 12 mm

E x 9



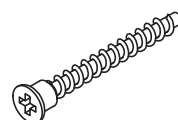
∅4 x 15 mm

F x 8



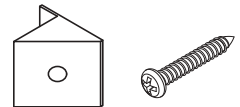
∅3 x 14 mm

G x 32



∅5 x 40 mm

H x 12



I x 36

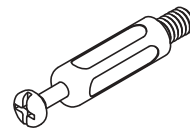


∅4 x 35 mm

J x 100

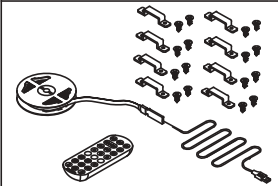


K x 60

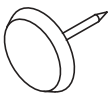


∅7 x 40 mm

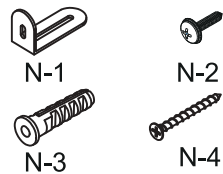
L x 1



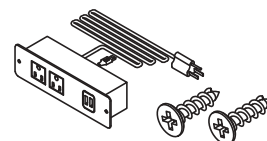
M x 8



N x 2

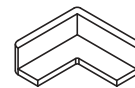


O x 1

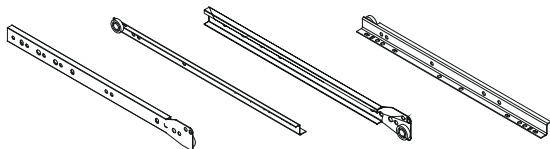


∅3.5 x 12 mm

P x 2



CL+CR+DL+DR

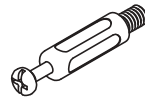
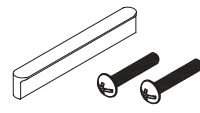
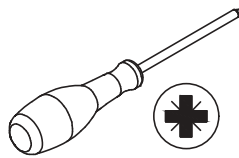


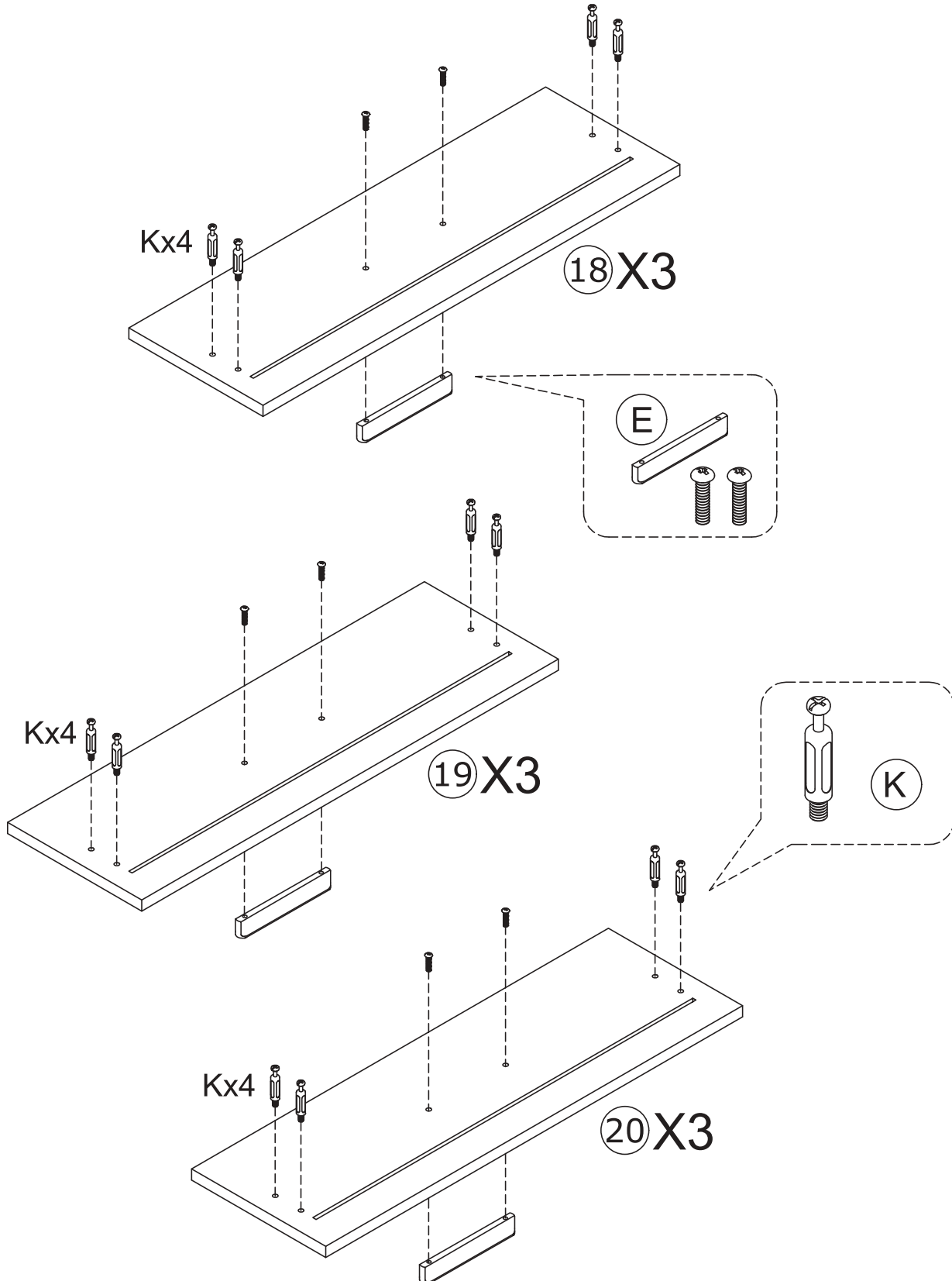
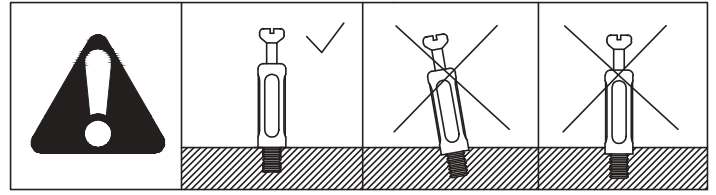
X 9

+ 2

SPARE BAG

1

<p>K x 36</p>  <p>Ø7 x 40 mm</p>	<p>E x 9</p>  <p>Ø4 x 15 mm</p>	
---	--	--

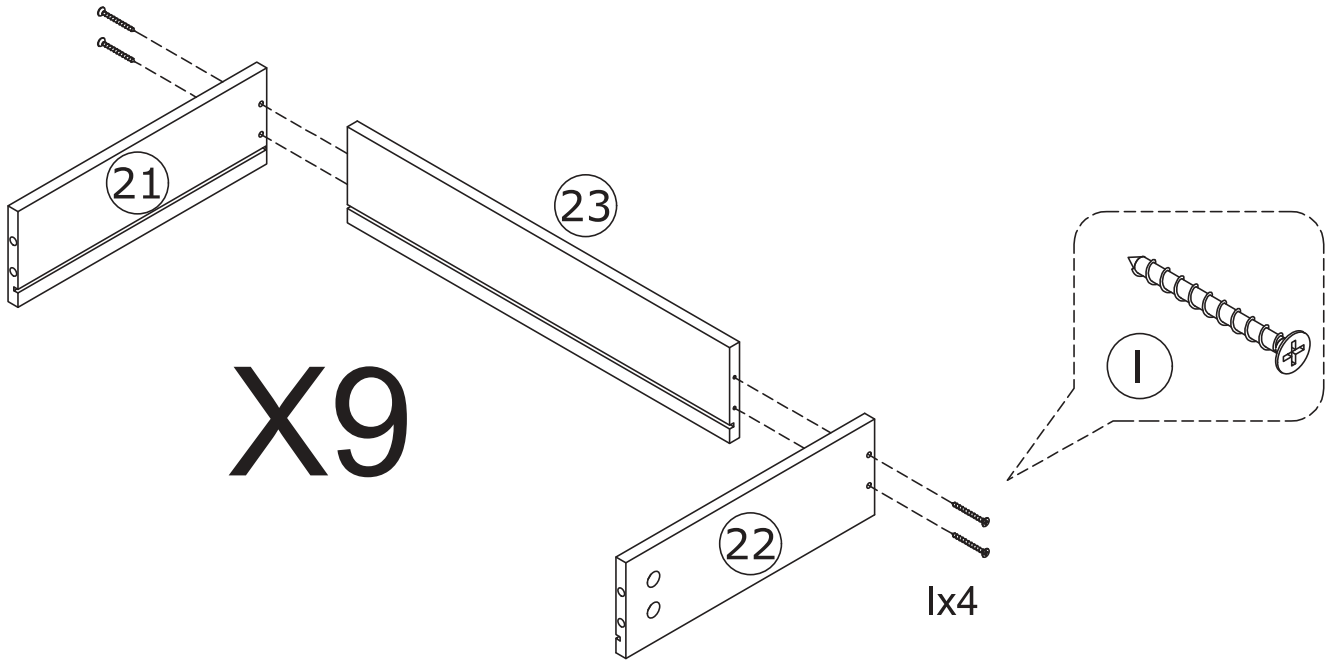
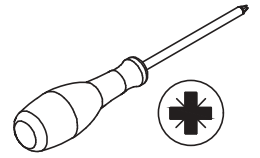


2

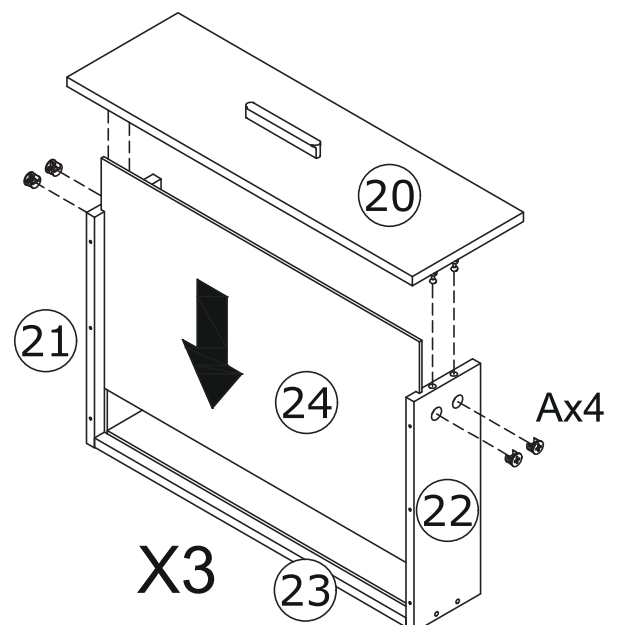
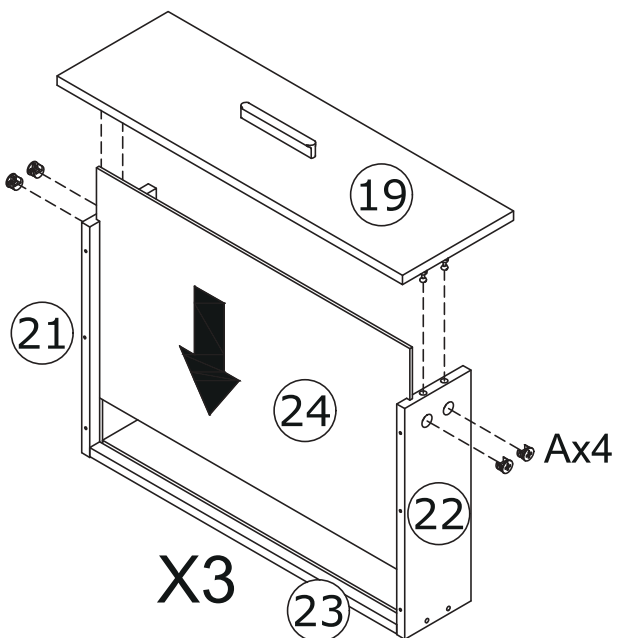
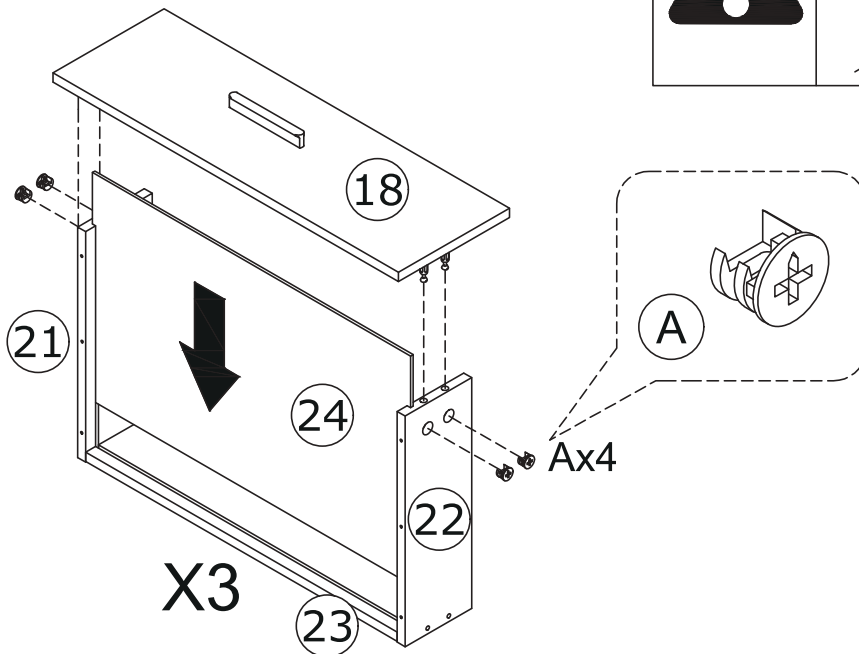
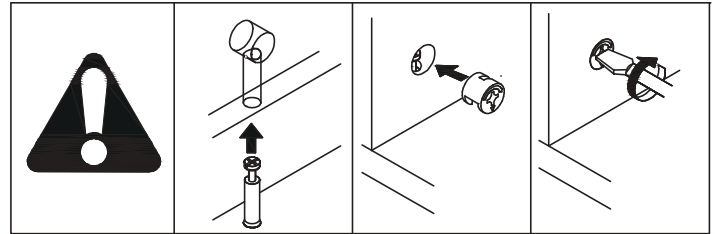
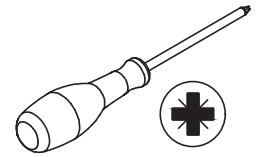
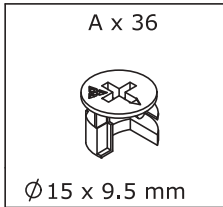
I x 36



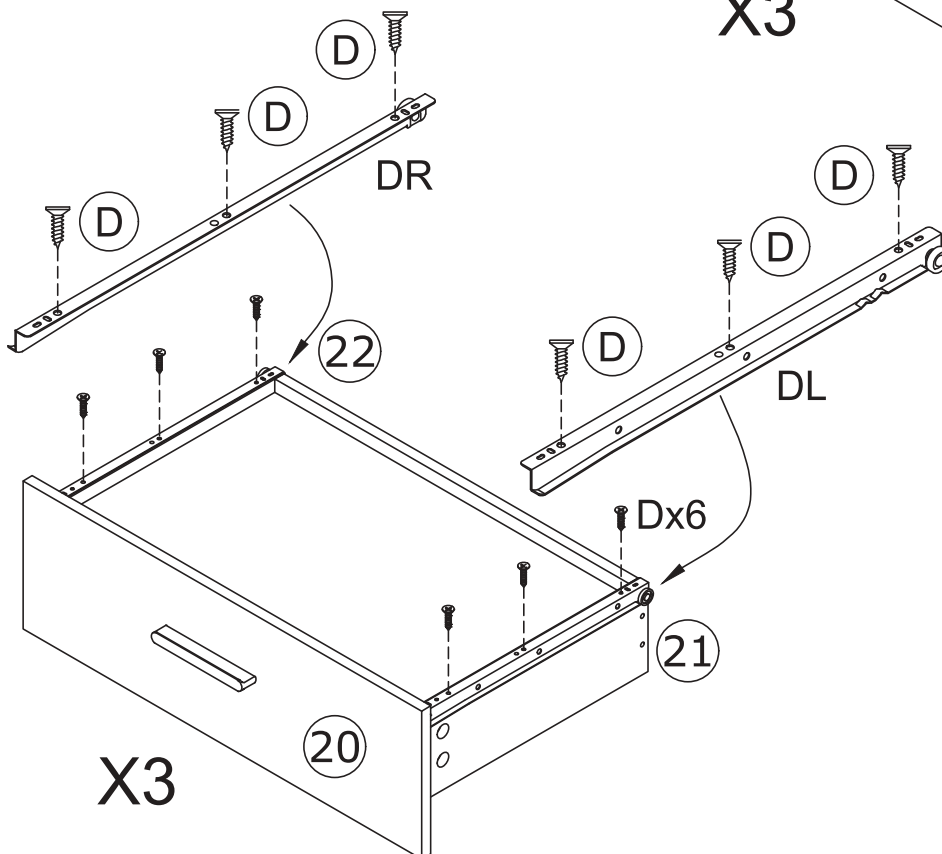
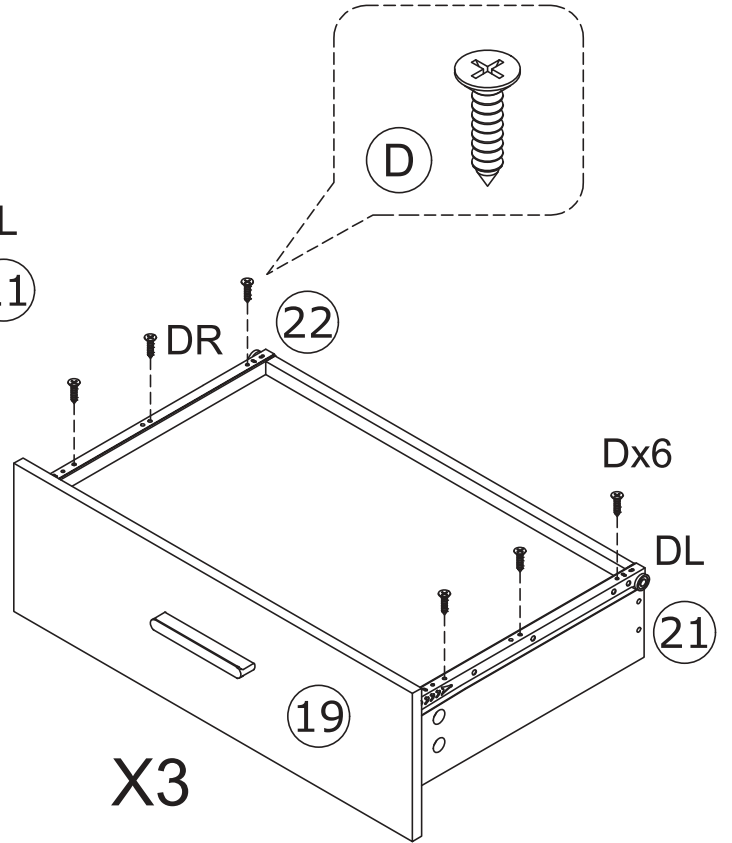
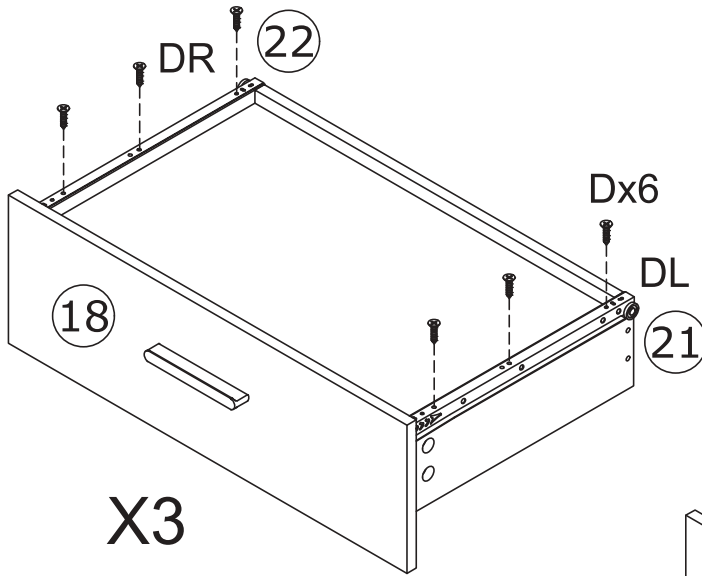
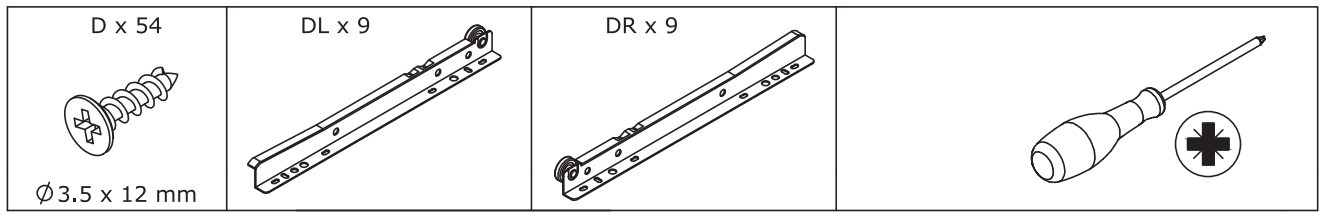
Ø4 x 35 mm




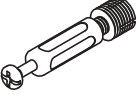

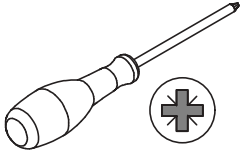
3

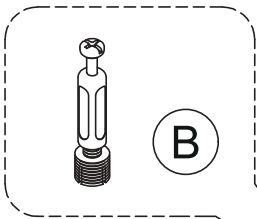
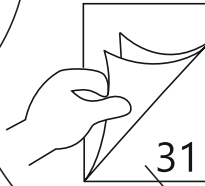
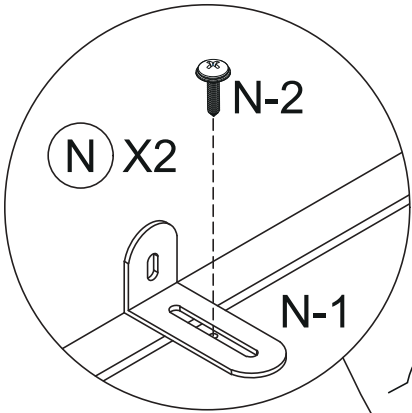
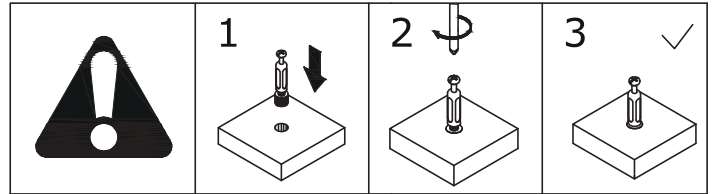
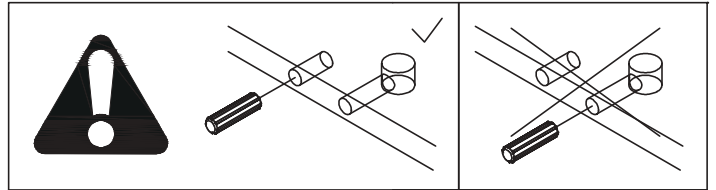


4

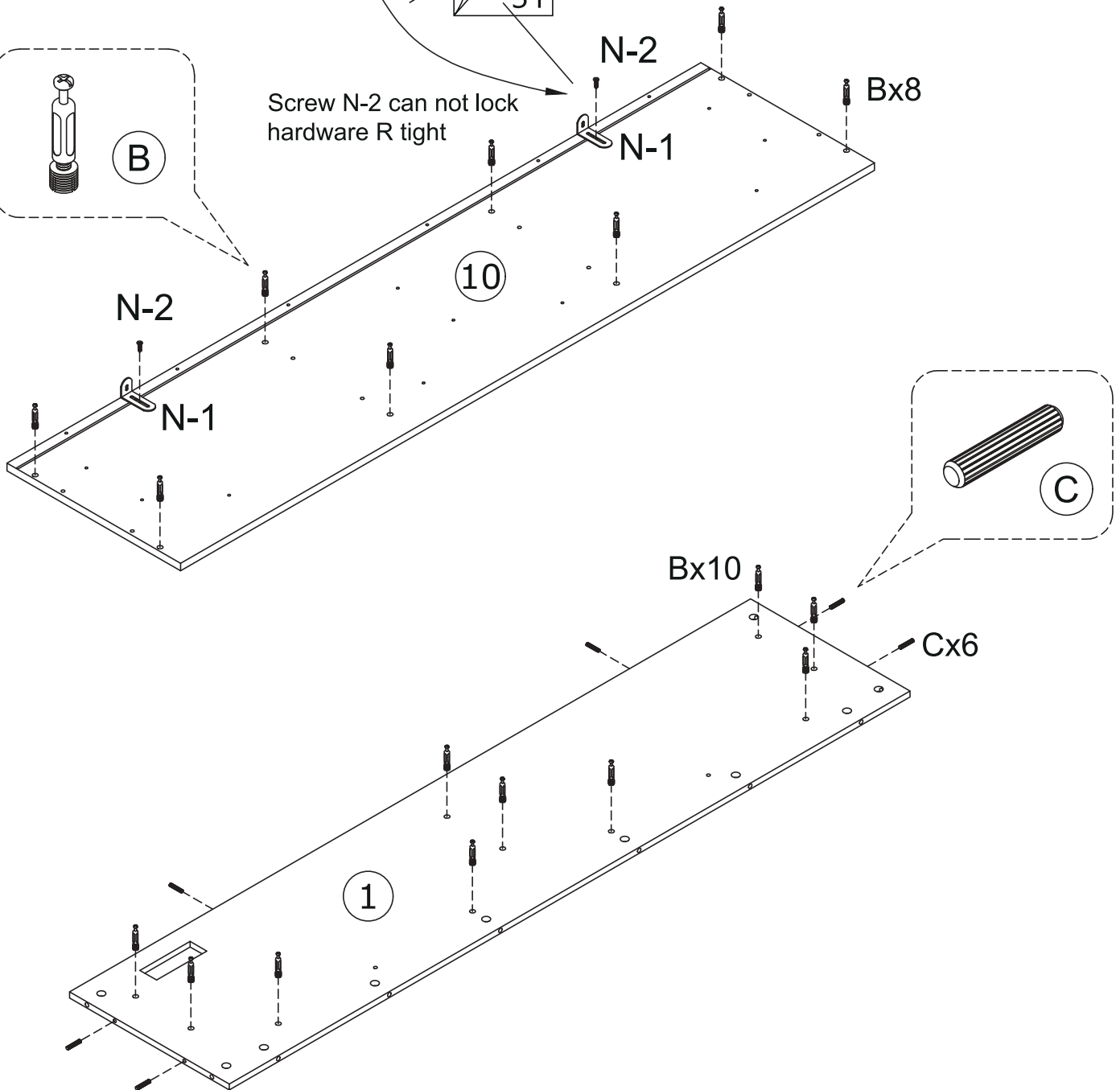


5

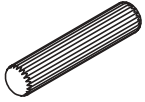
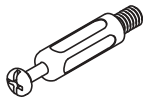
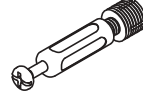
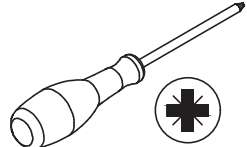

<p>C x 6</p>  <p>Ø6 x 30 mm</p>	<p>B x 18</p>  <p>Ø7 x 40 mm</p>	<p>N x 2</p>  <p>N-1 N-2</p>	
--	---	--	--


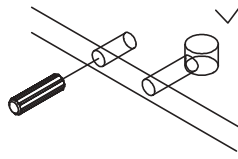
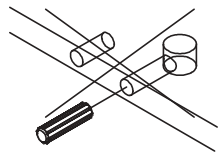

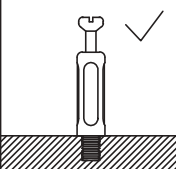
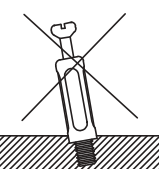
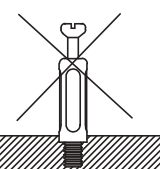


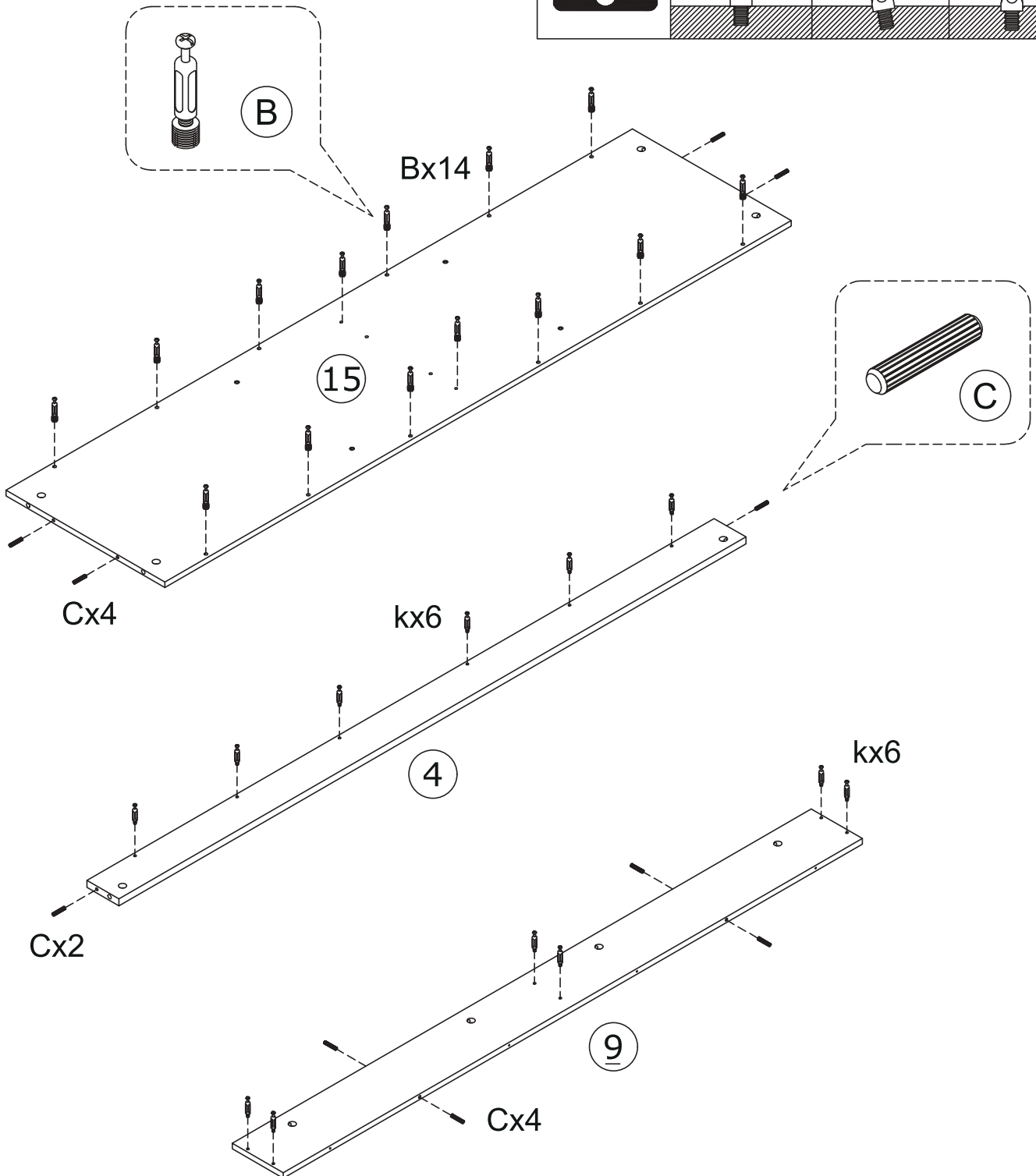
Screw N-2 can not lock hardware R tight



6

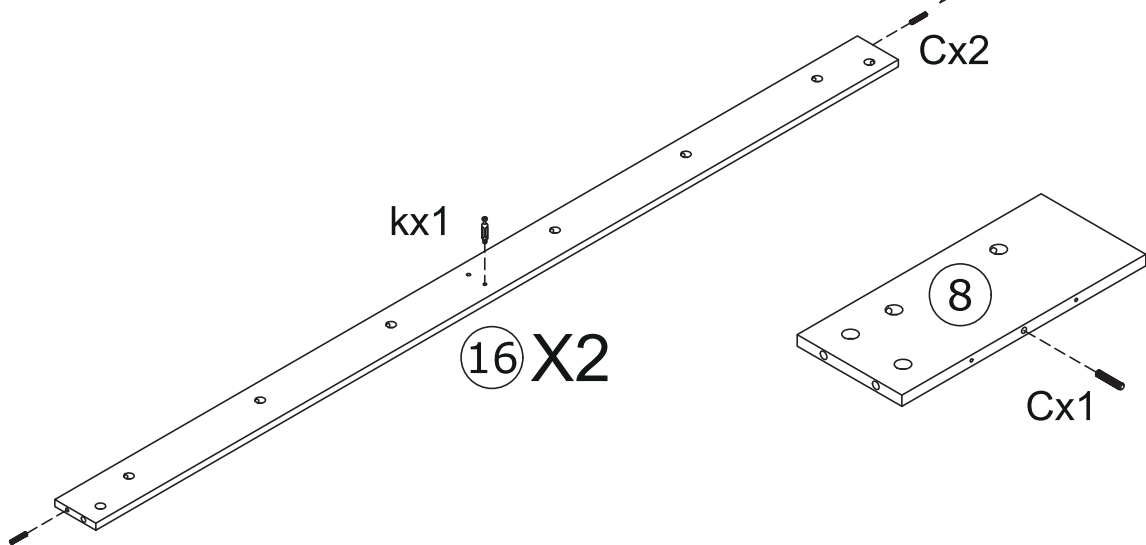
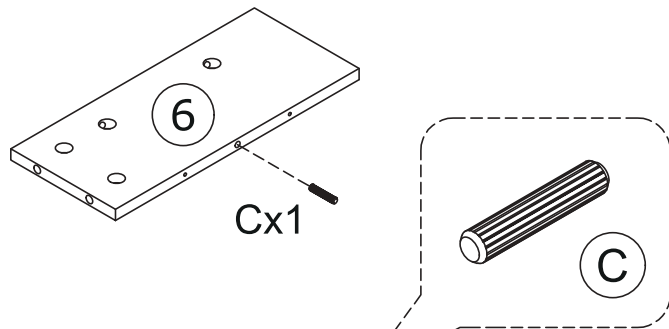
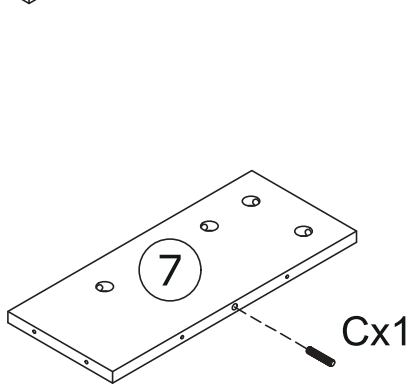
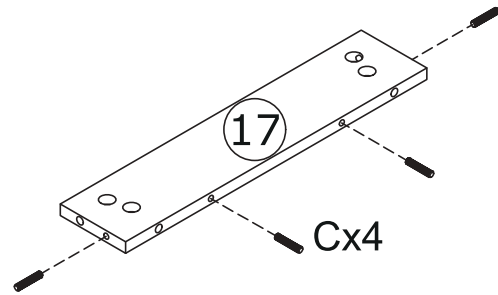
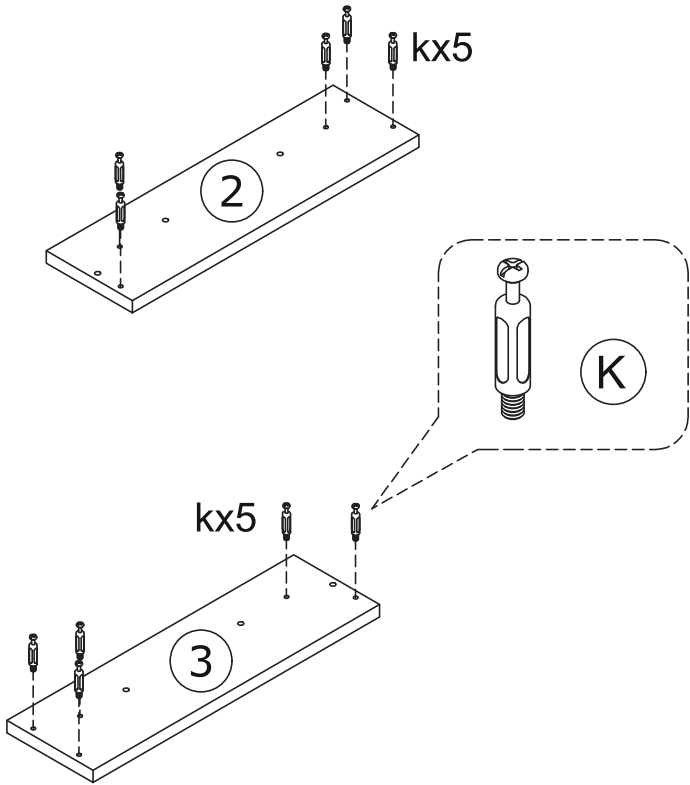
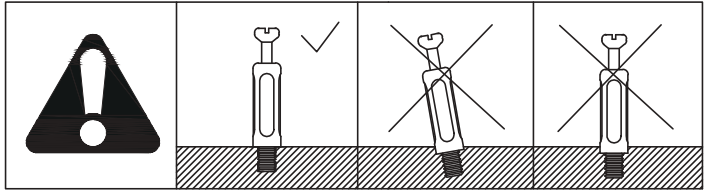
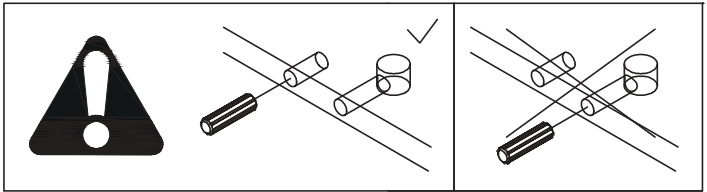
<p>C x 10</p>  <p>Ø6 x 30 mm</p>	<p>k x 12</p>  <p>Ø7 x 40 mm</p>	<p>B x 14</p>  <p>Ø7 x 40 mm</p>	 
---	---	---	--

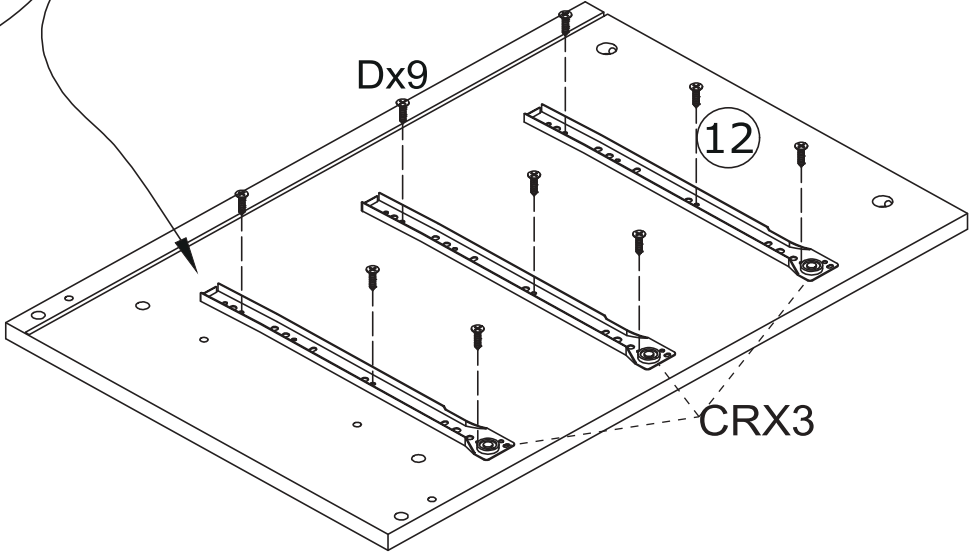
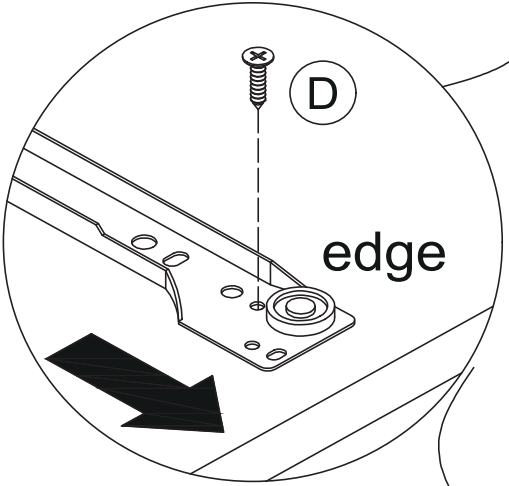
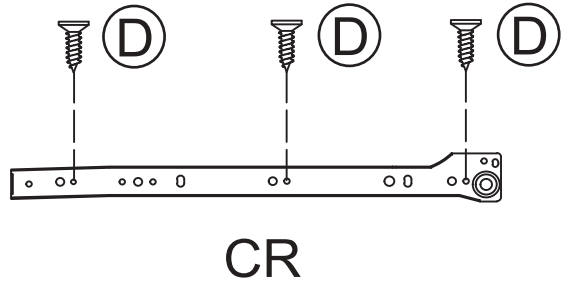
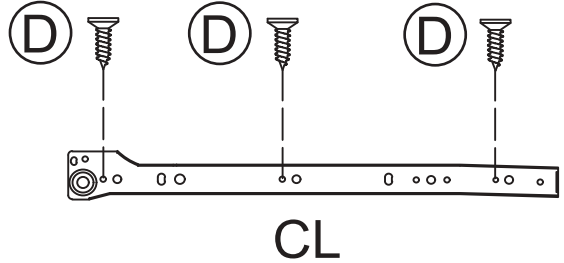
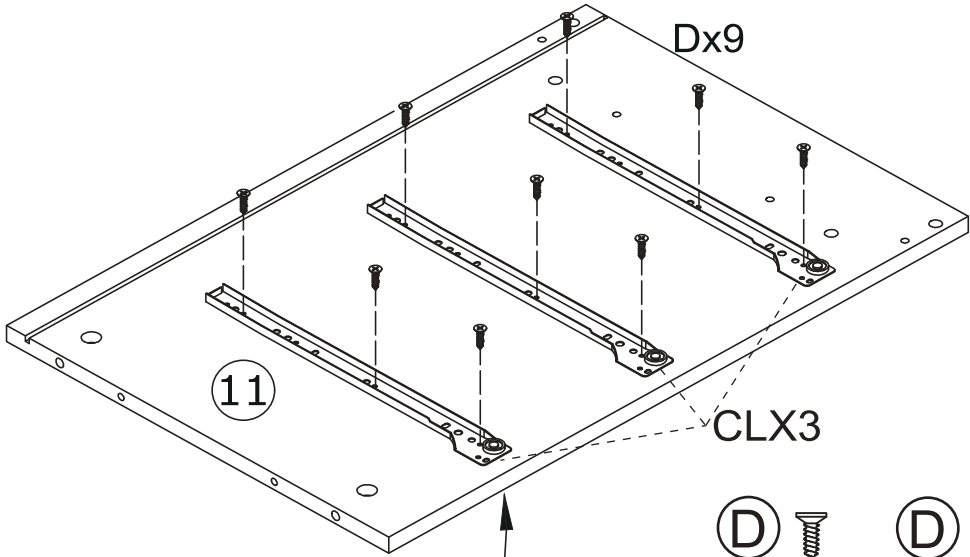
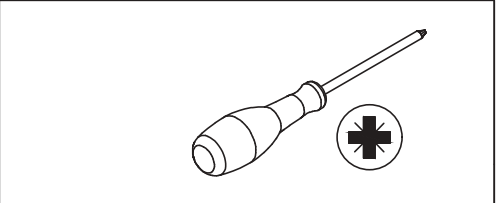
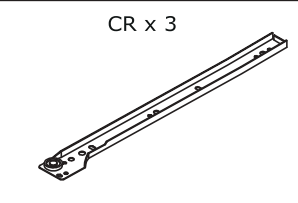
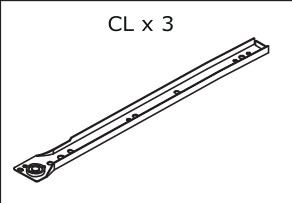
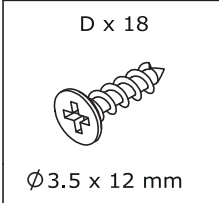


7

<p>C x 11</p>  <p>Ø6 x 30 mm</p>	<p>k x 12</p>  <p>Ø7 x 40 mm</p>	
---	---	--

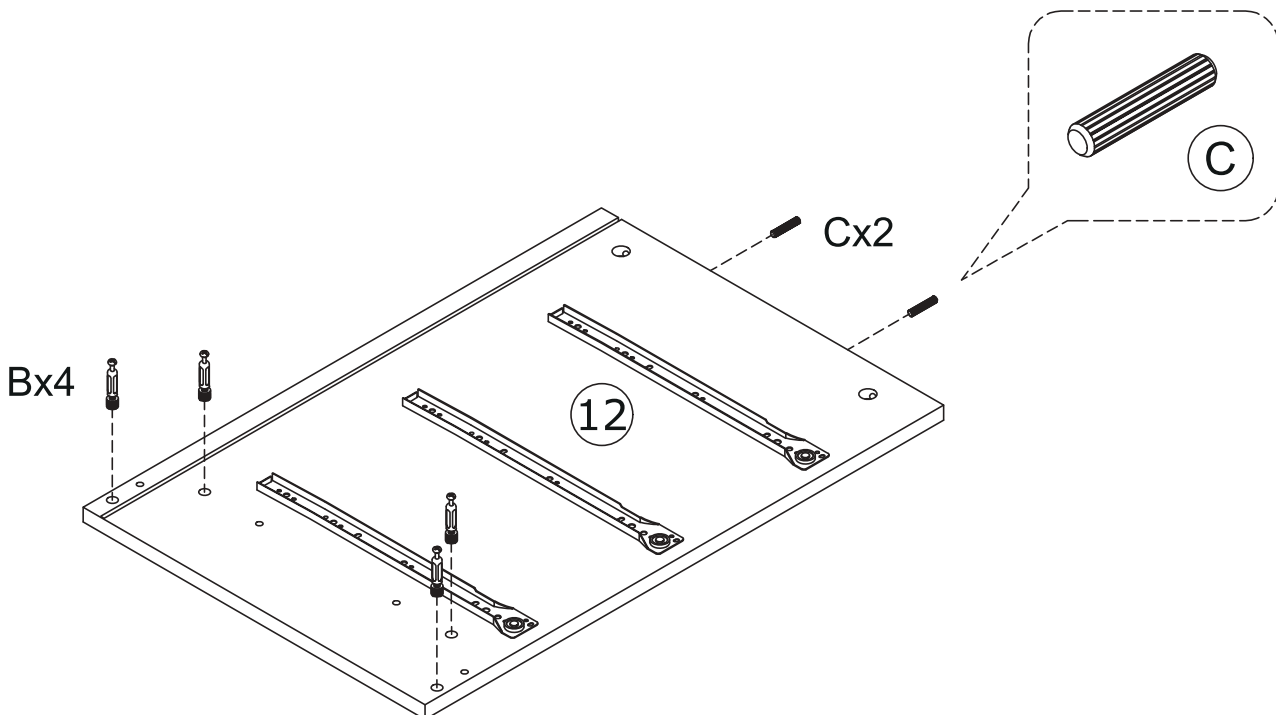
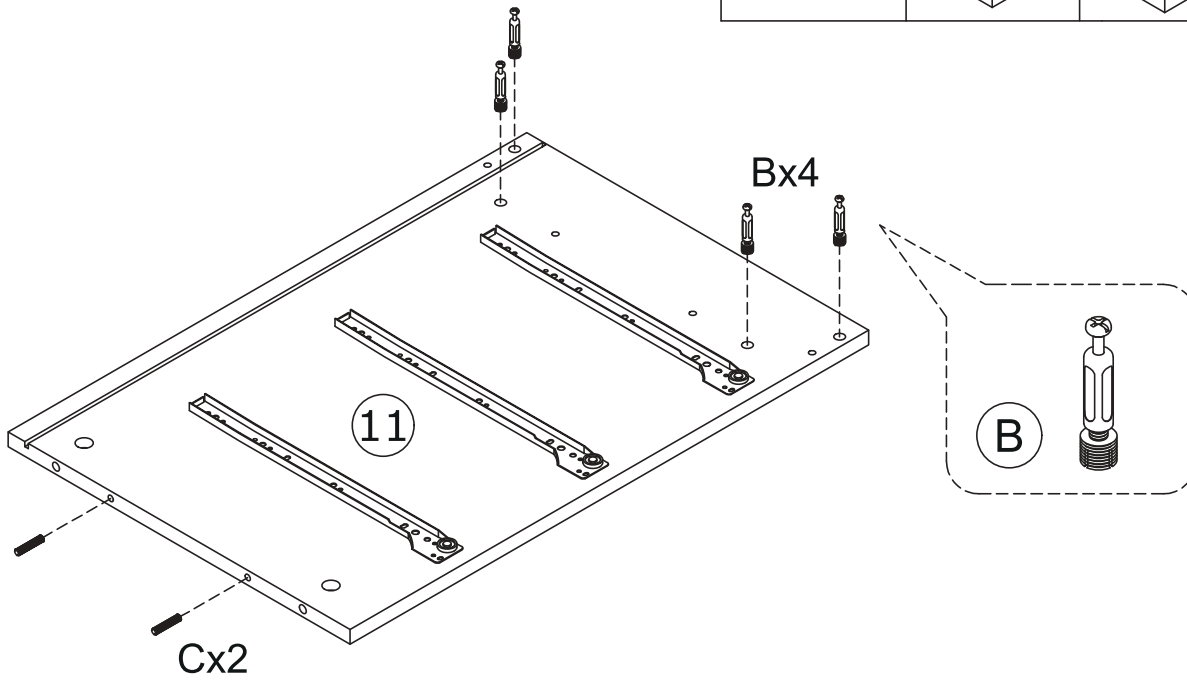
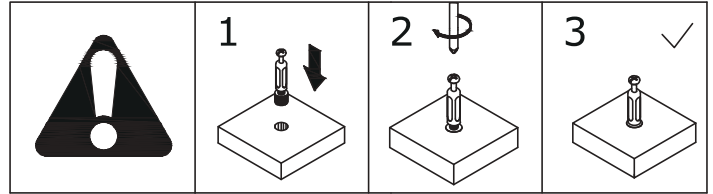
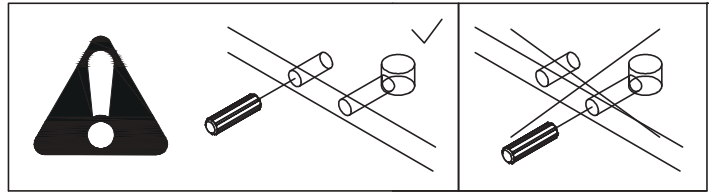


8

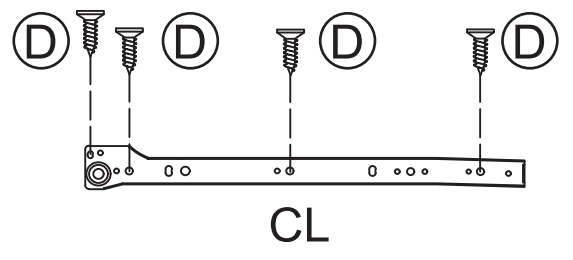
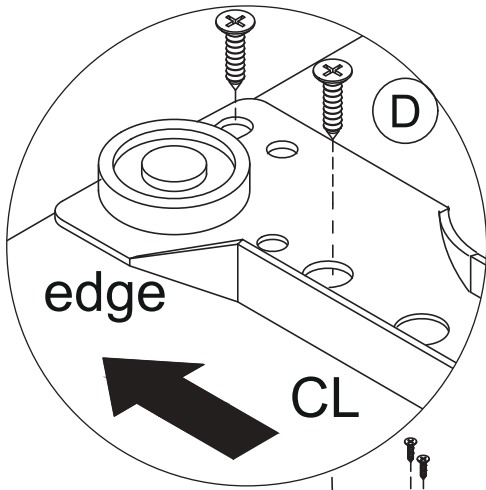
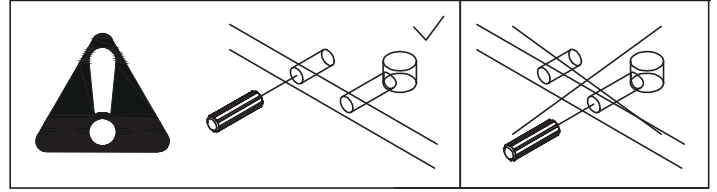
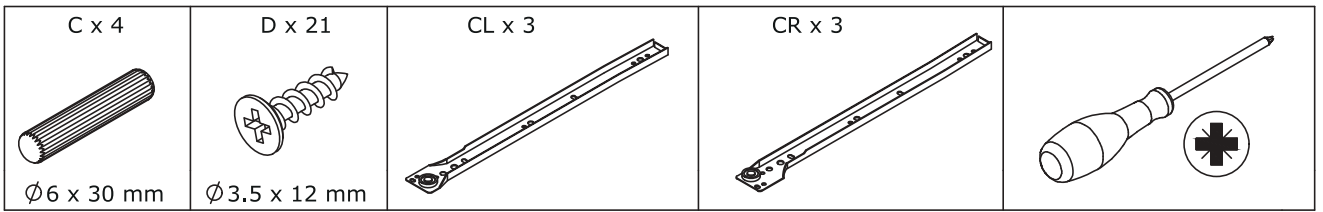


9

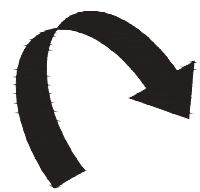
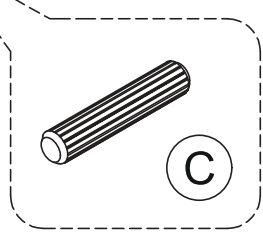
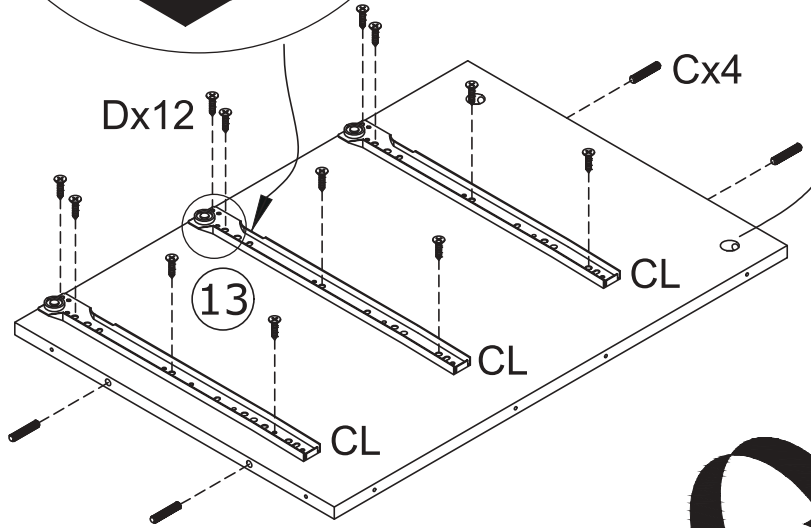
<p>C x 4</p>  <p>Ø6 x 30 mm</p>	<p>B x 8</p>  <p>Ø7 x 40 mm</p>	 
--	--	--



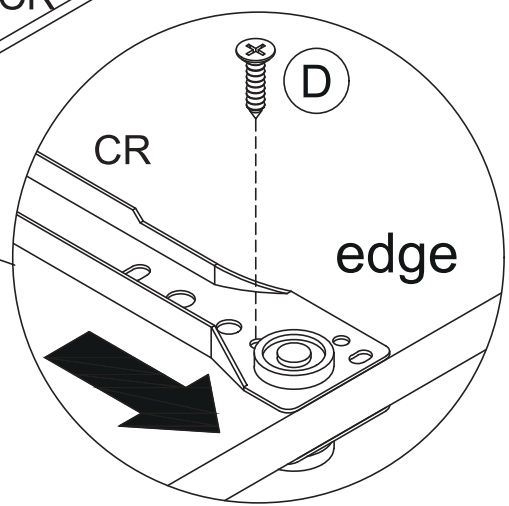
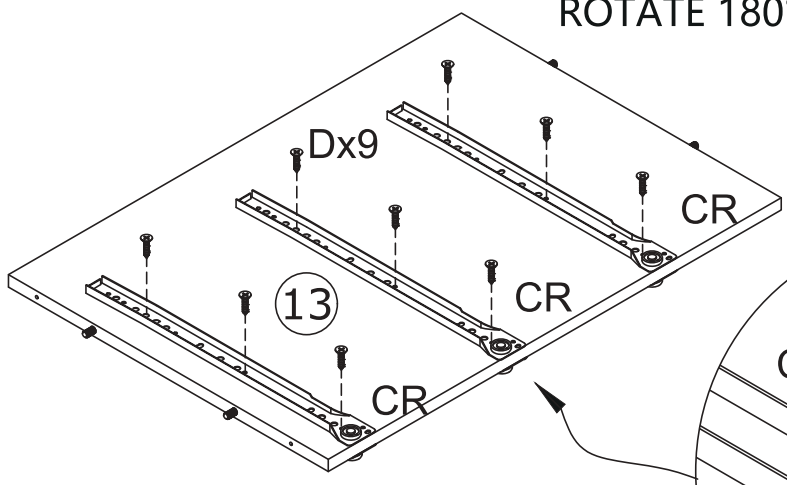
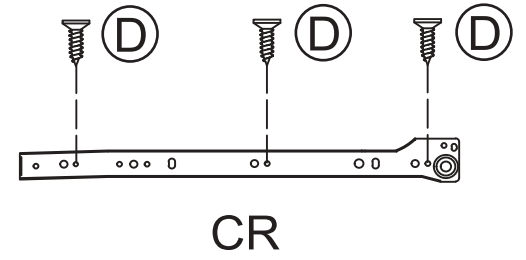
10



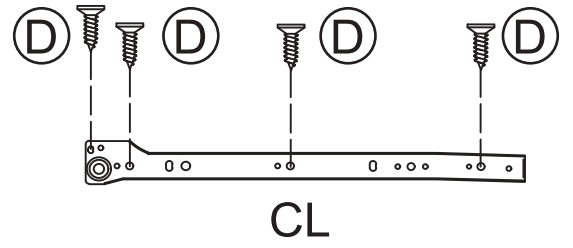
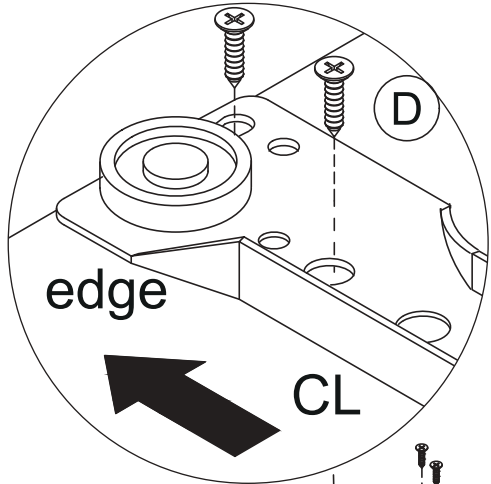
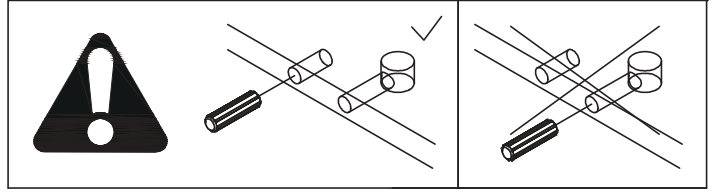
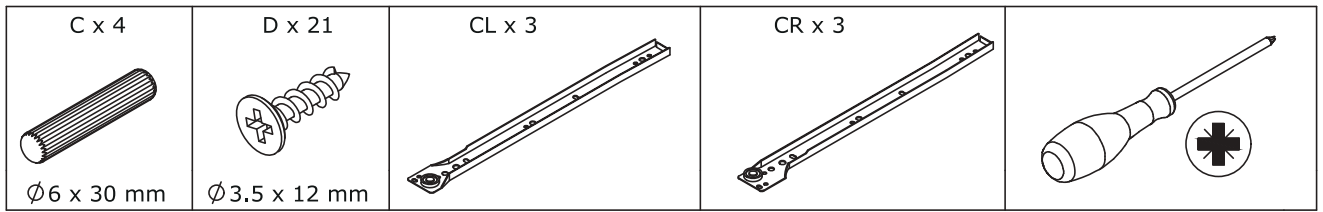
The perforated side of plate 13
assembles rail CL



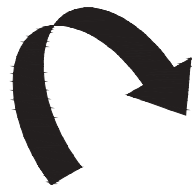
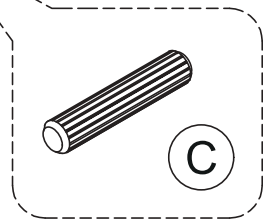
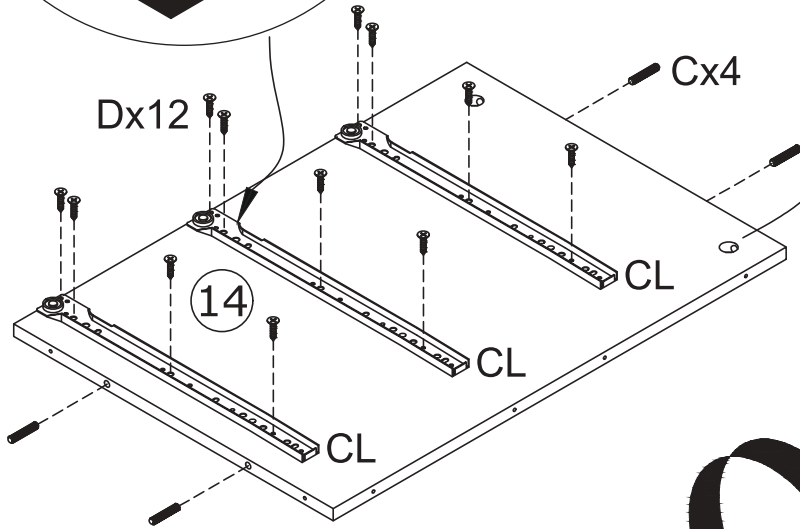
ROTATE 180°



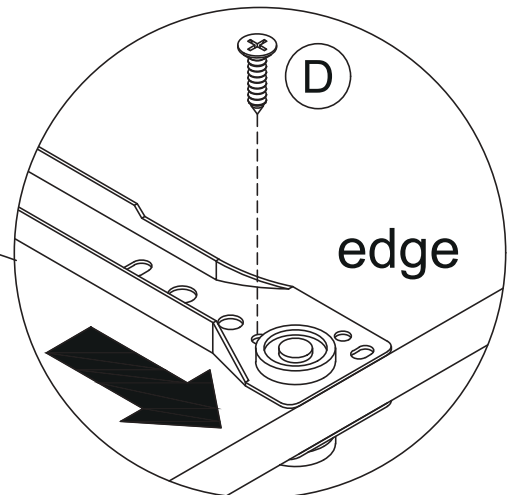
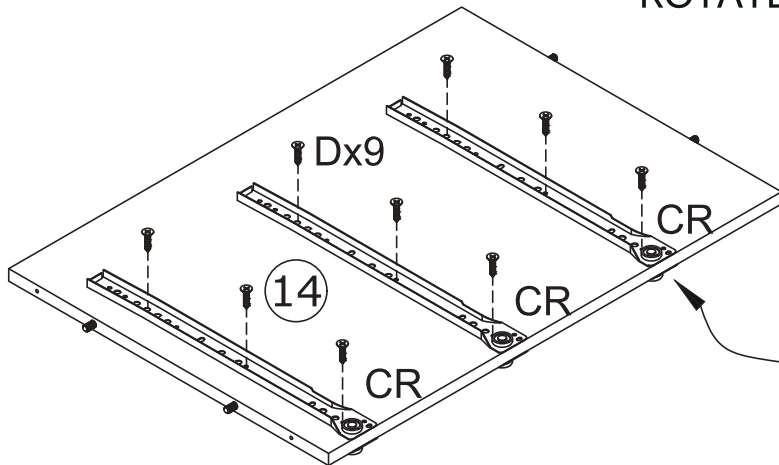
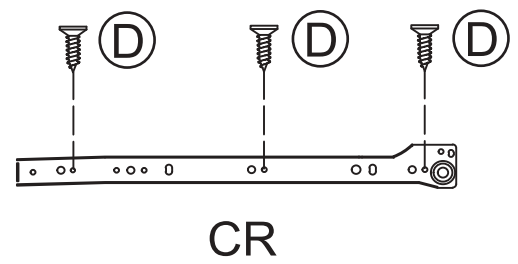
11




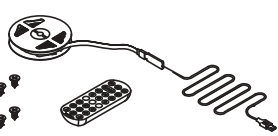
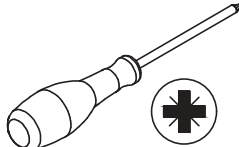
The perforated side of plate 14 assembles rail E


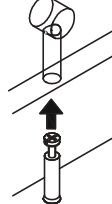
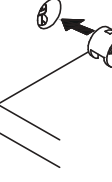
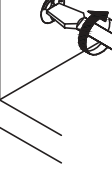


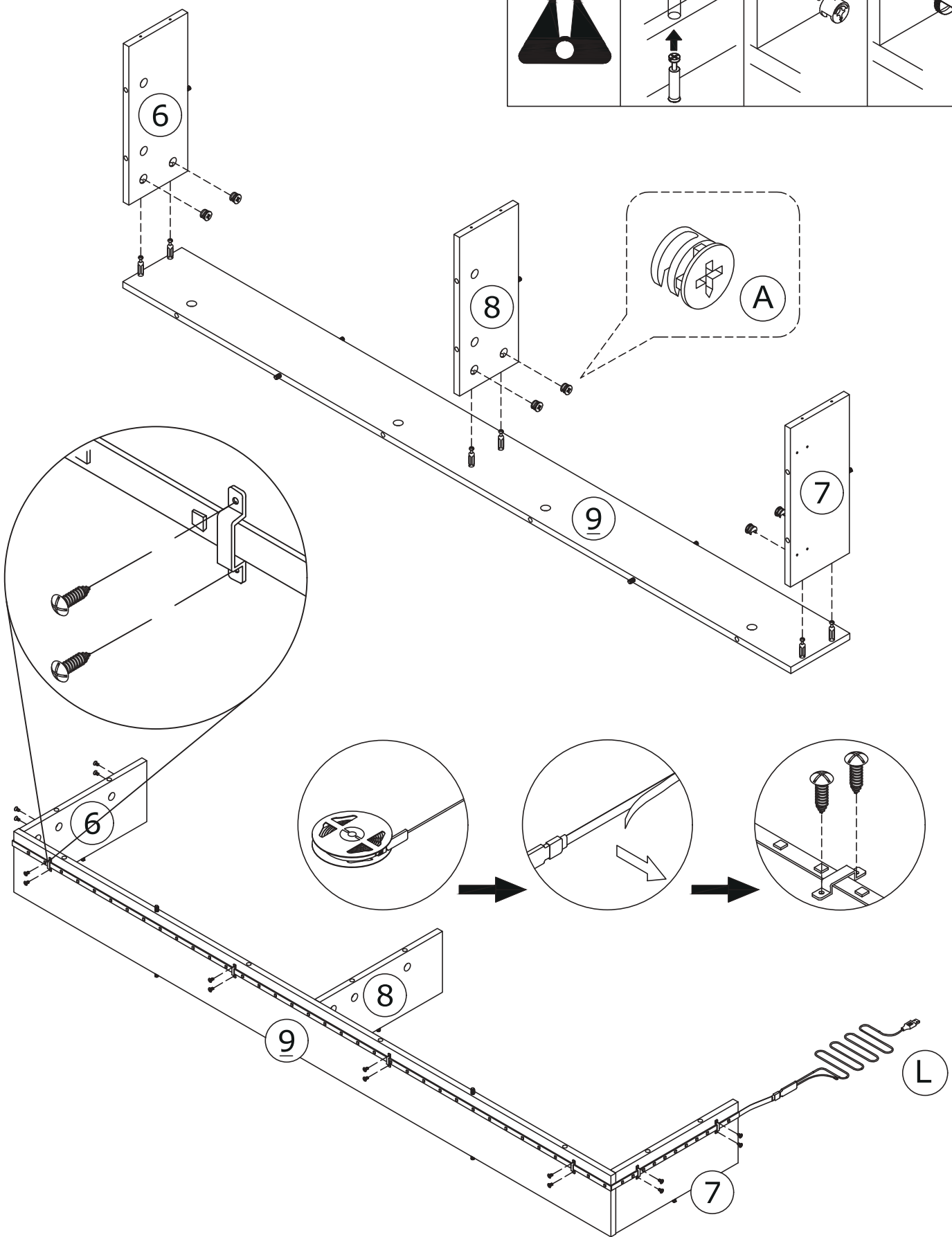
ROTATE 180°



12

<p>A x 6</p>  <p>Ø 15 x 9.5mm</p>	<p>L x 1</p> 	
--	--	--

			
---	---	---	---

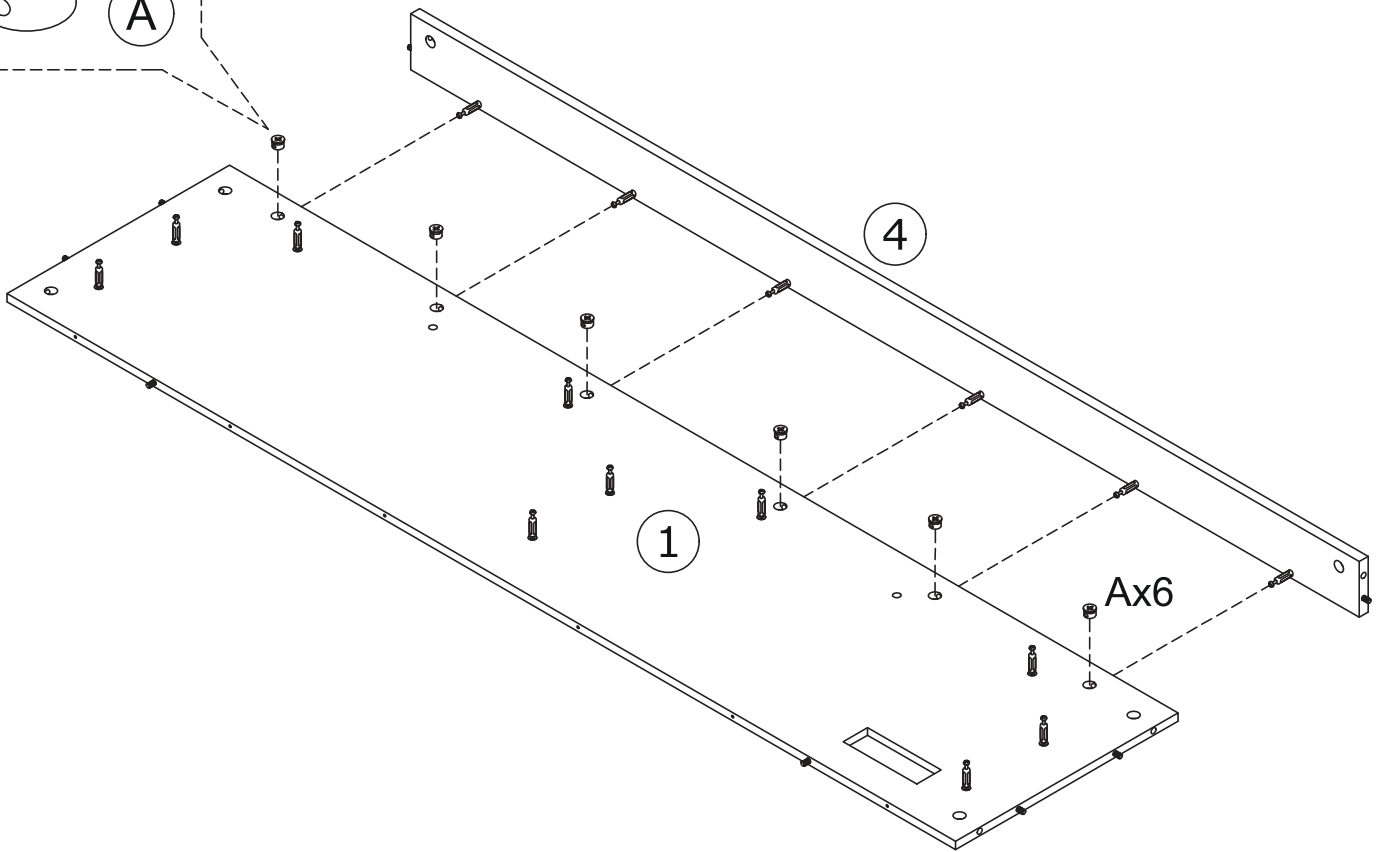
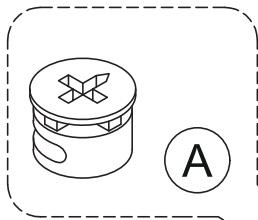
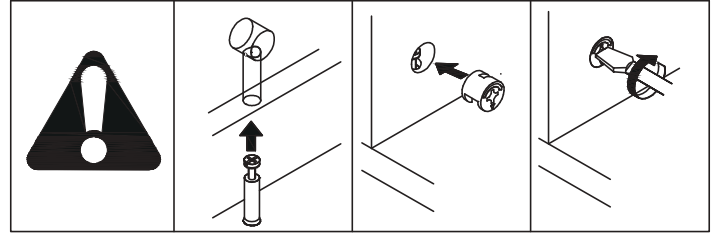
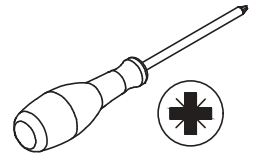


13

A x 6



Ø15 x 9.5 mm

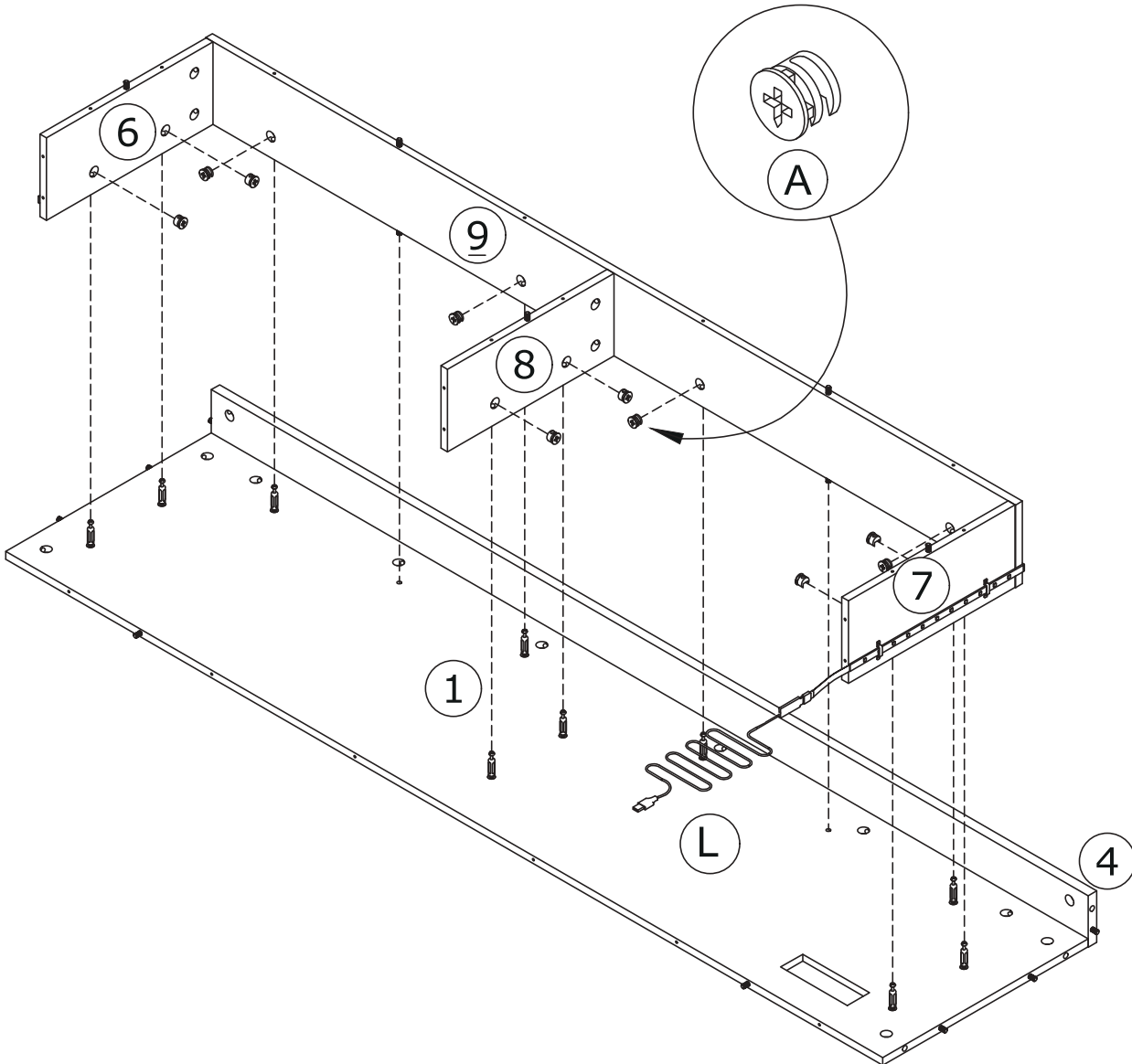
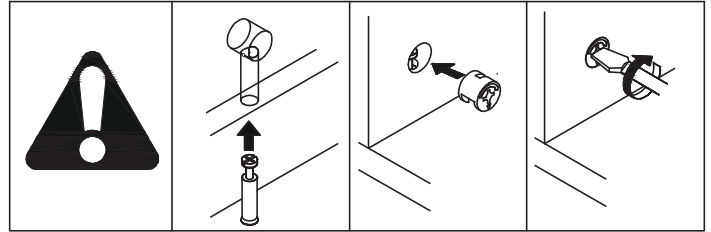
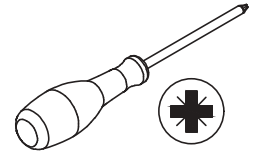


14

A x 10

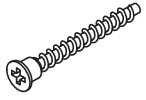


Ø 15 x 9.5 mm

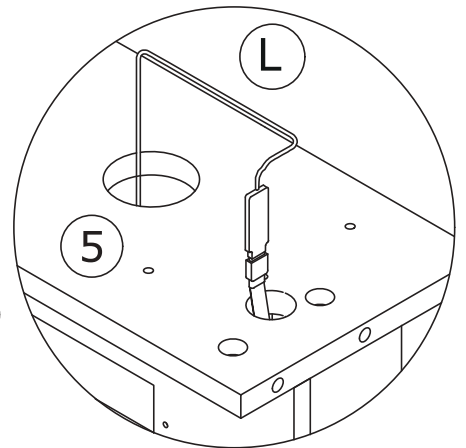
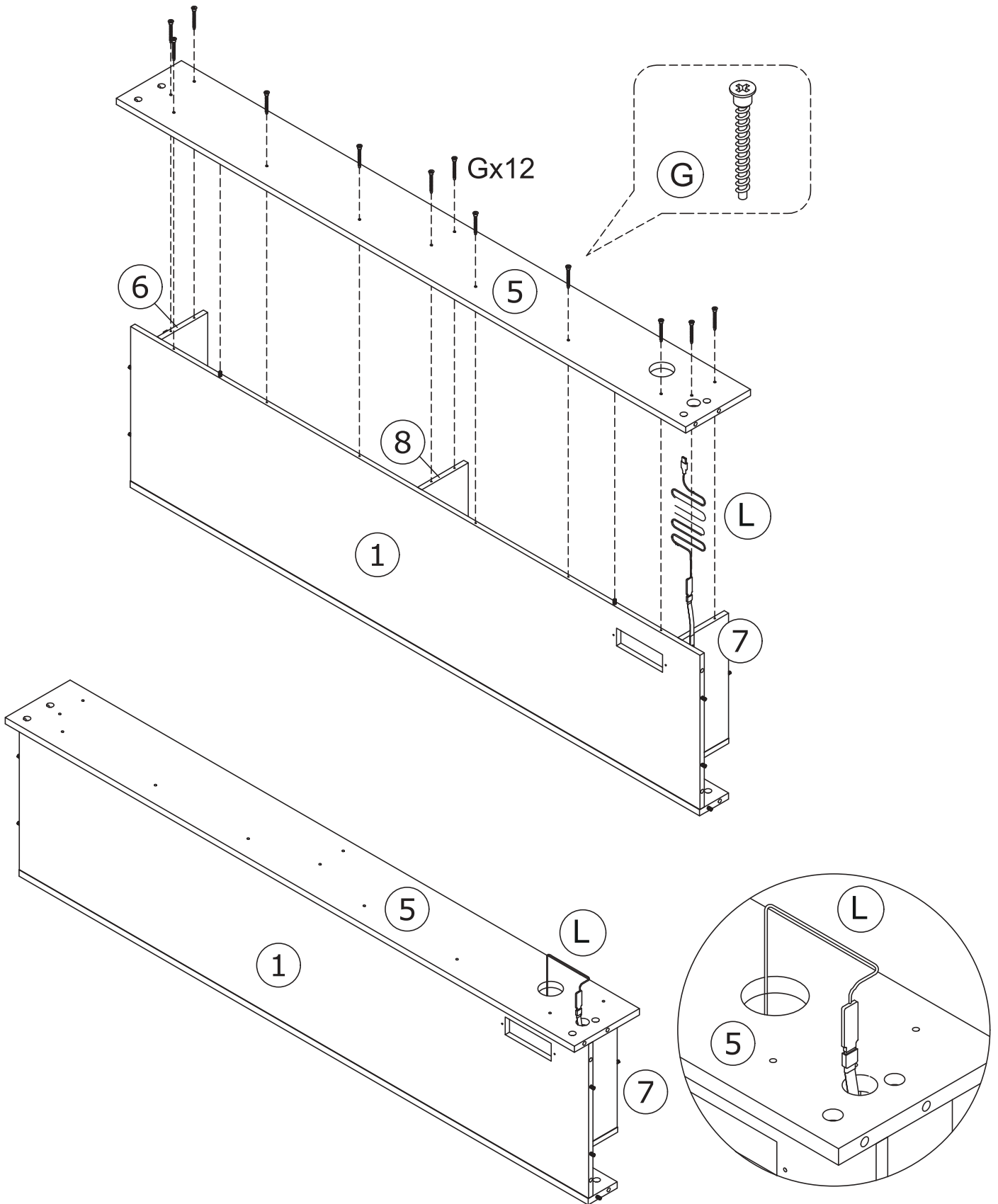
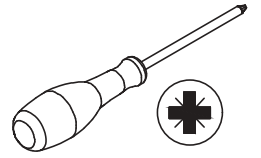


15

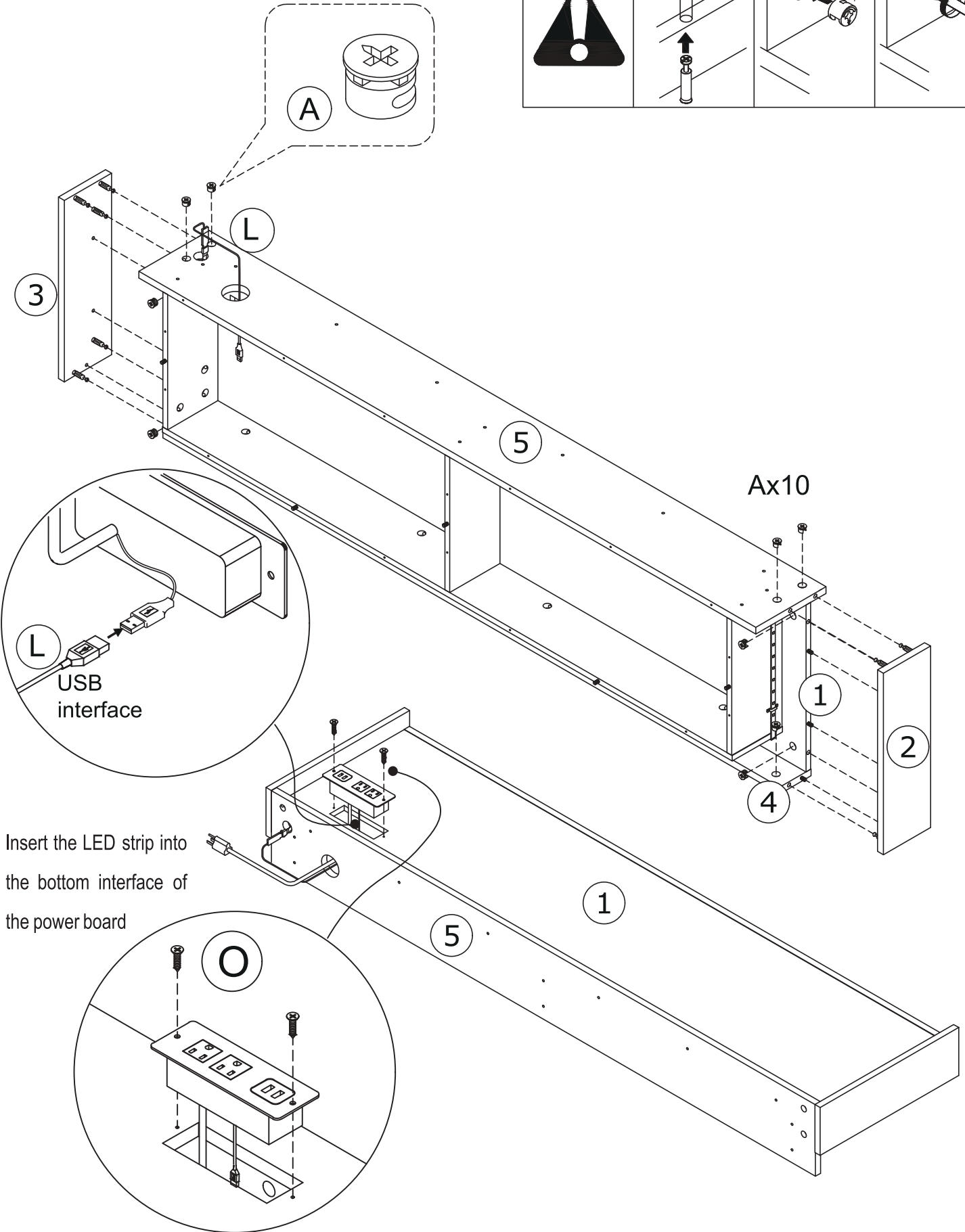
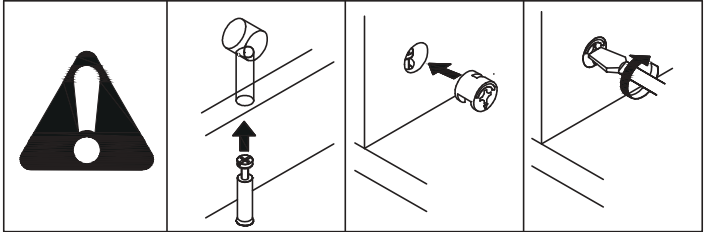
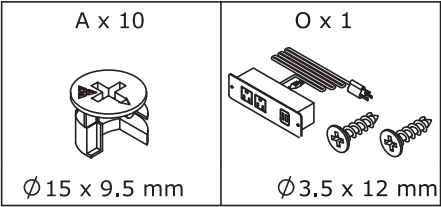
G x 12



Ø5 x 40 mm



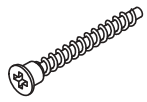
16



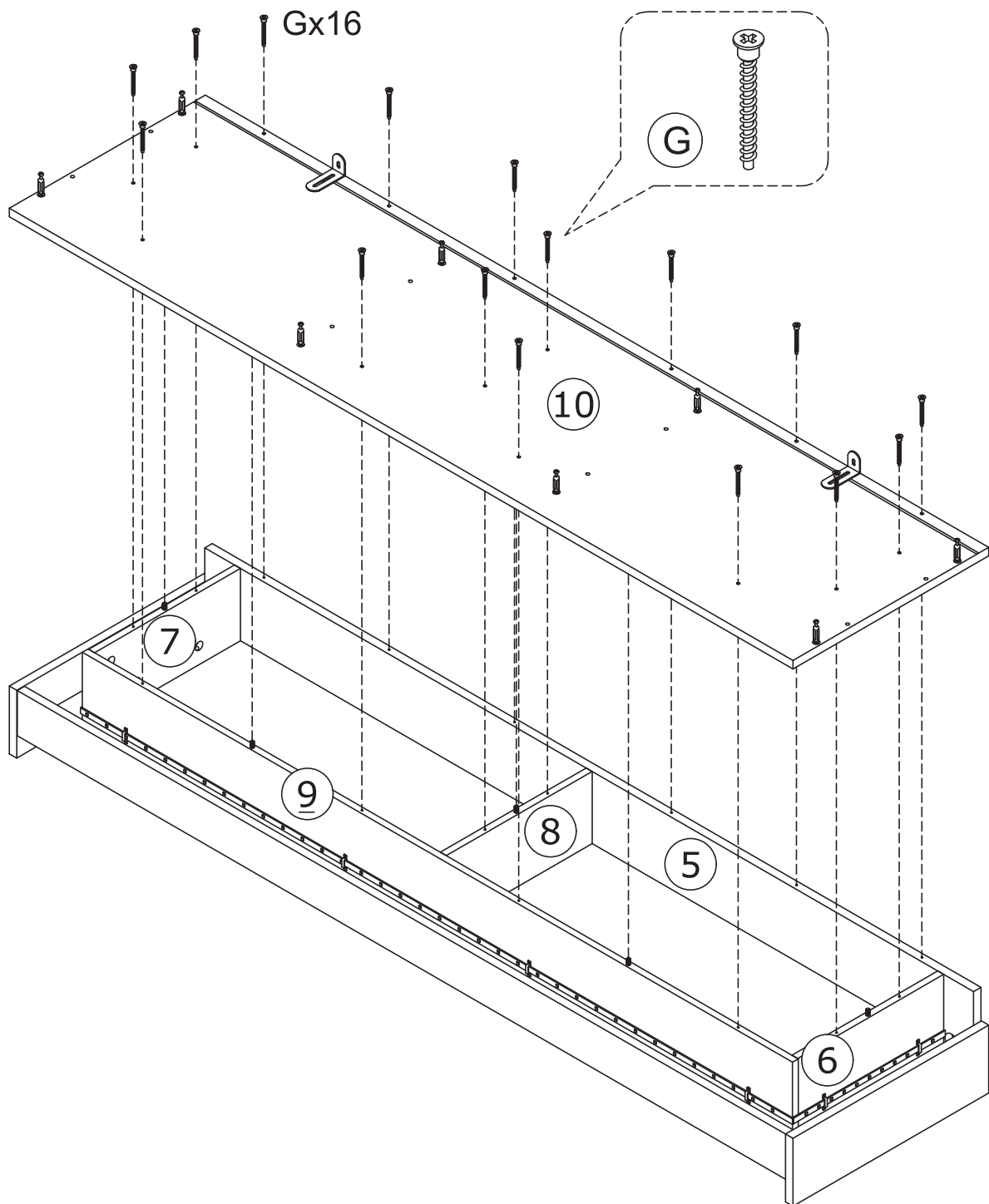
Insert the LED strip into the bottom interface of the power board

17

G x 16



Ø5 x 40 mm

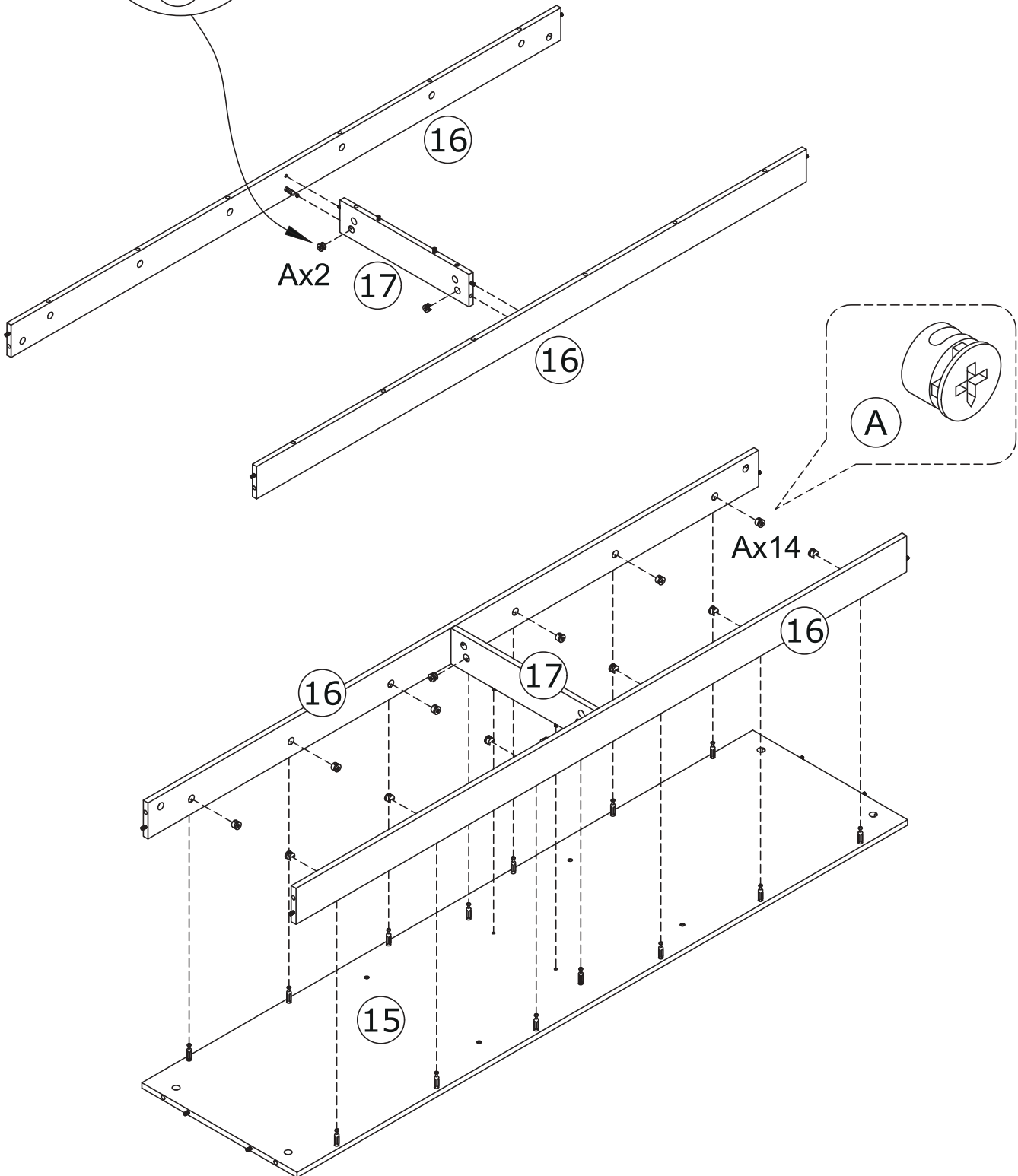
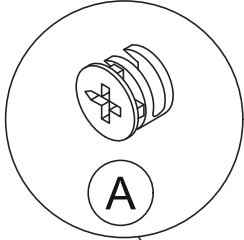
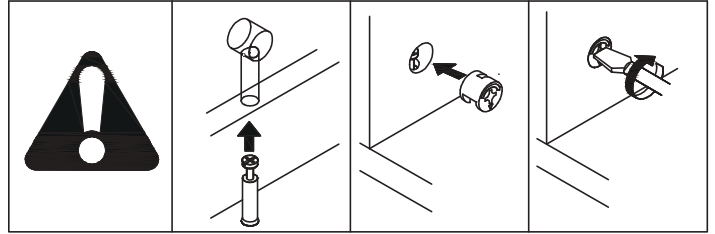


18

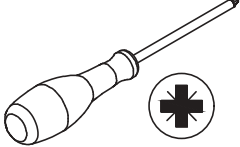
A x 16







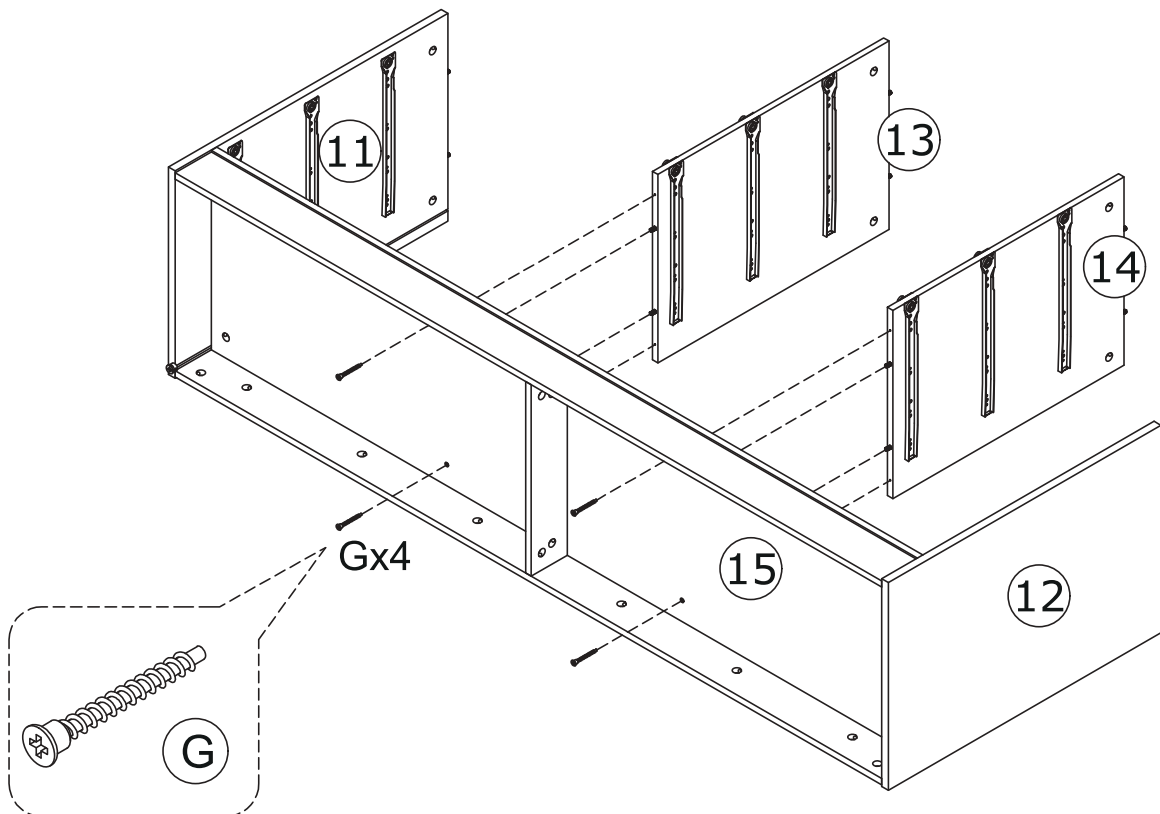
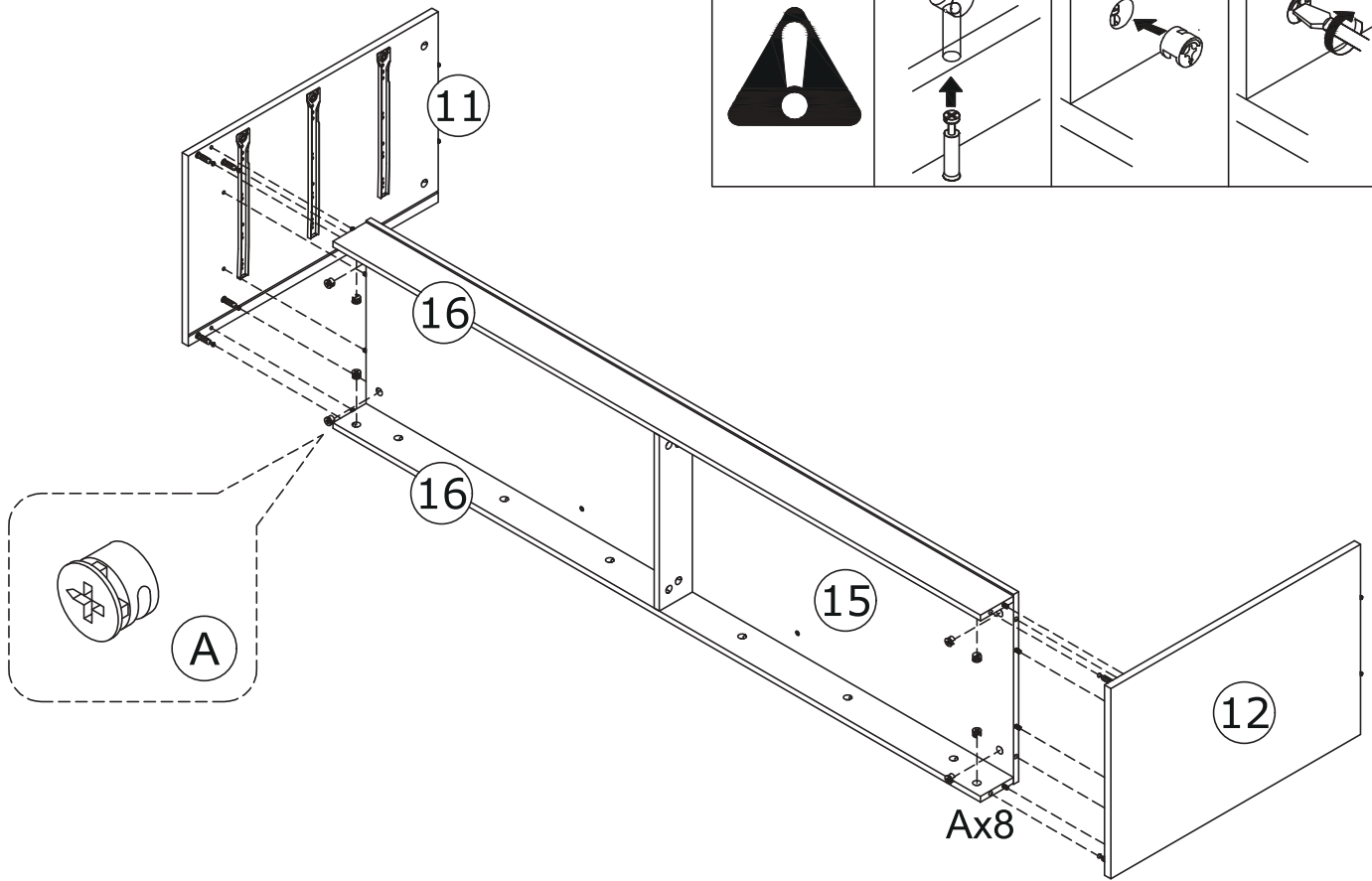
Ø15 x 9.5 mm



19

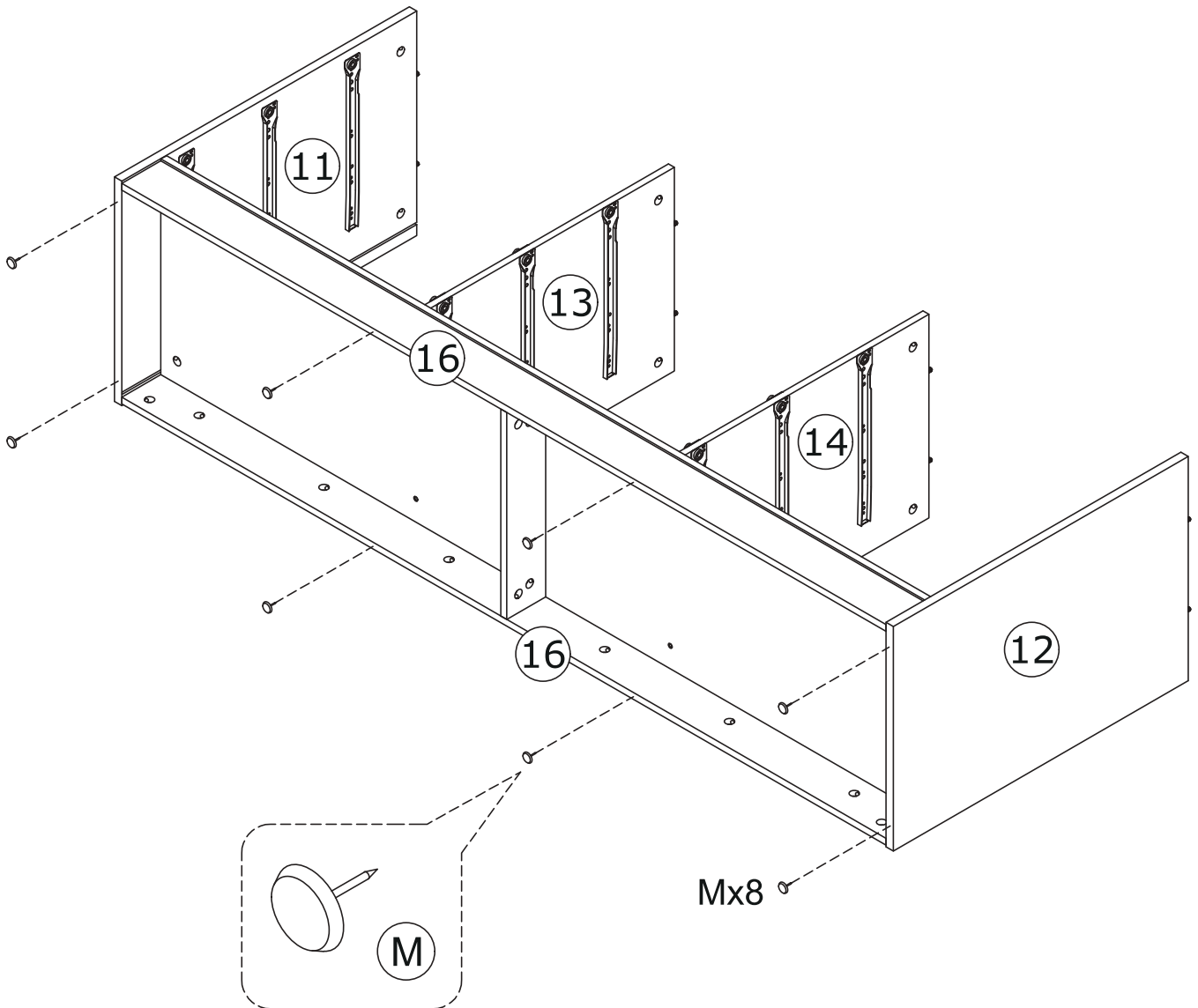
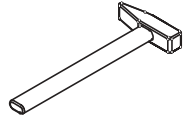
<p>A x 8</p>  <p>Ø 15 x 9.5 mm</p>	<p>G x 4</p>  <p>Ø 5 x 40 mm</p>	 
---	---	---

			
---	---	---	---

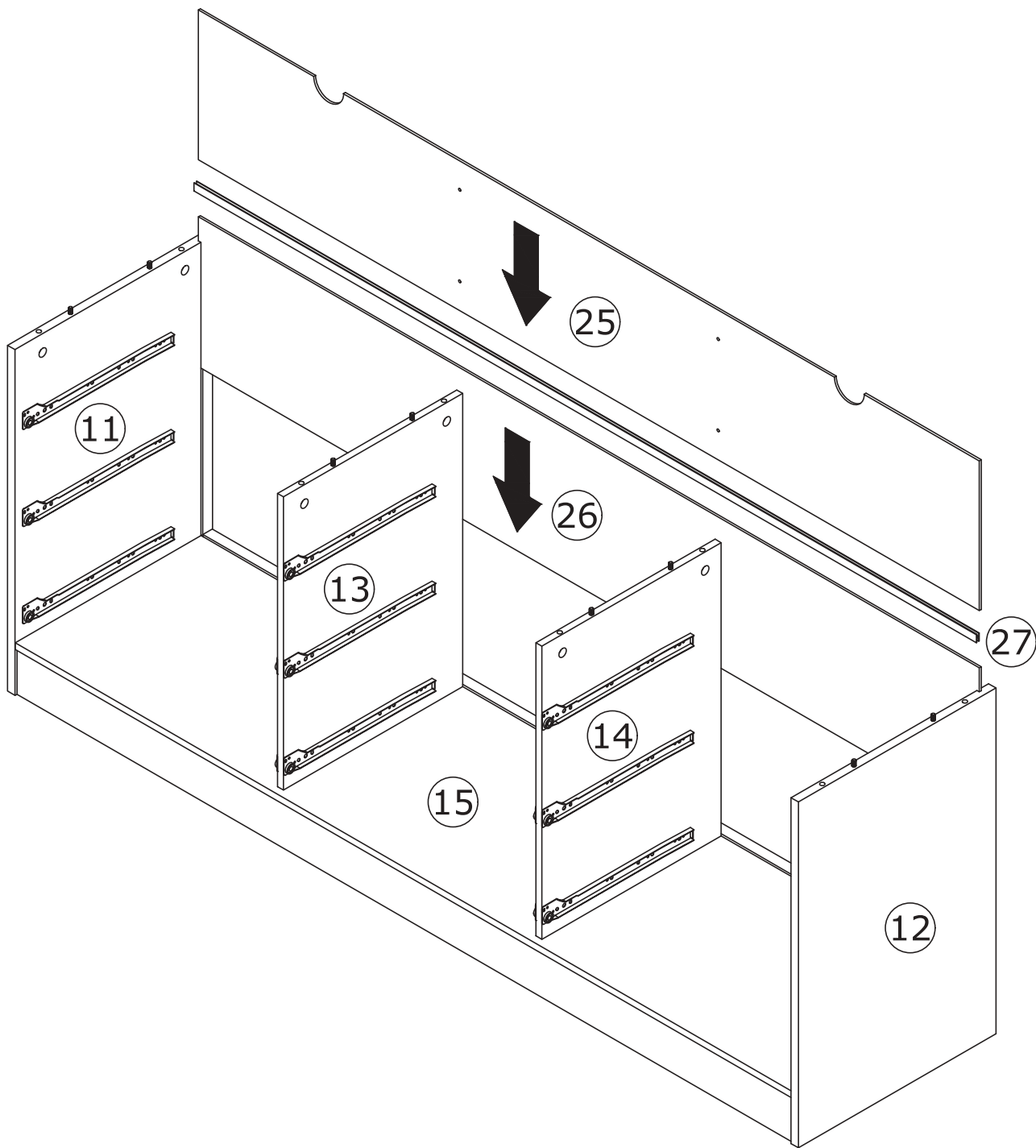


20

M x 8



21

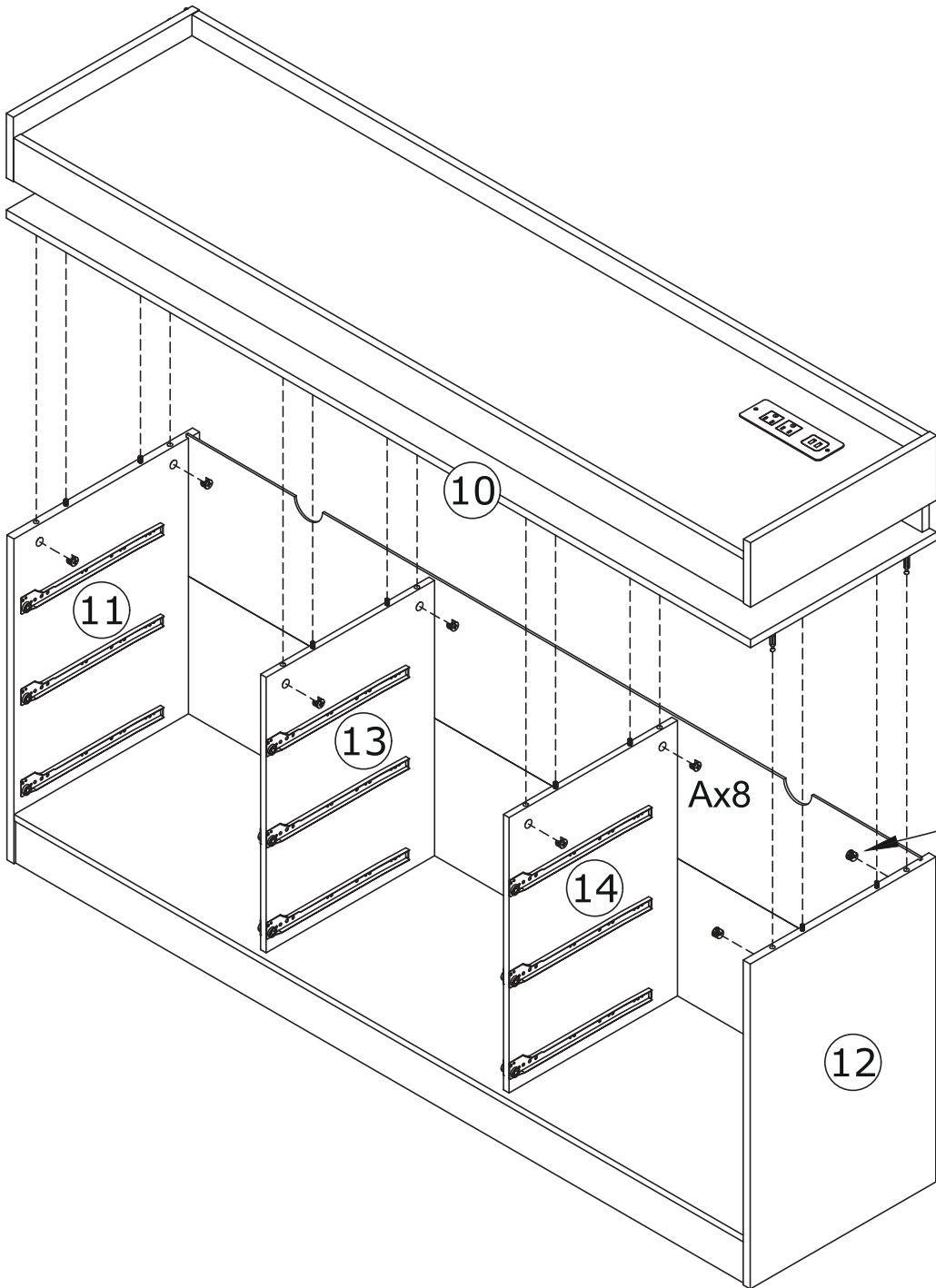
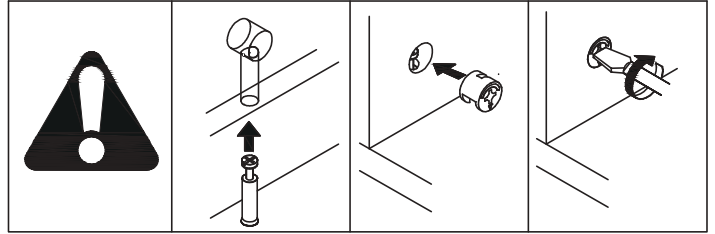
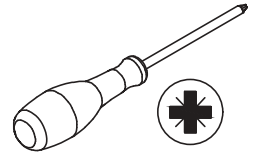


22

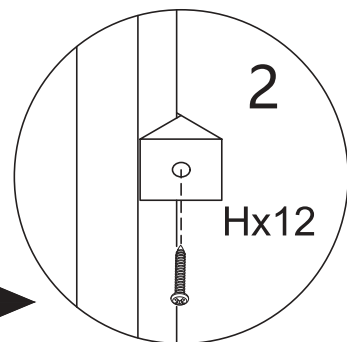
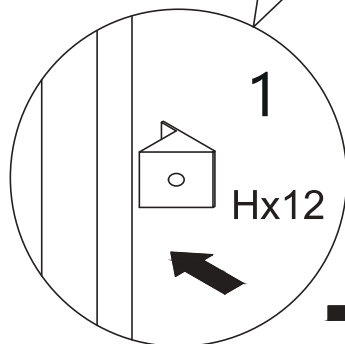
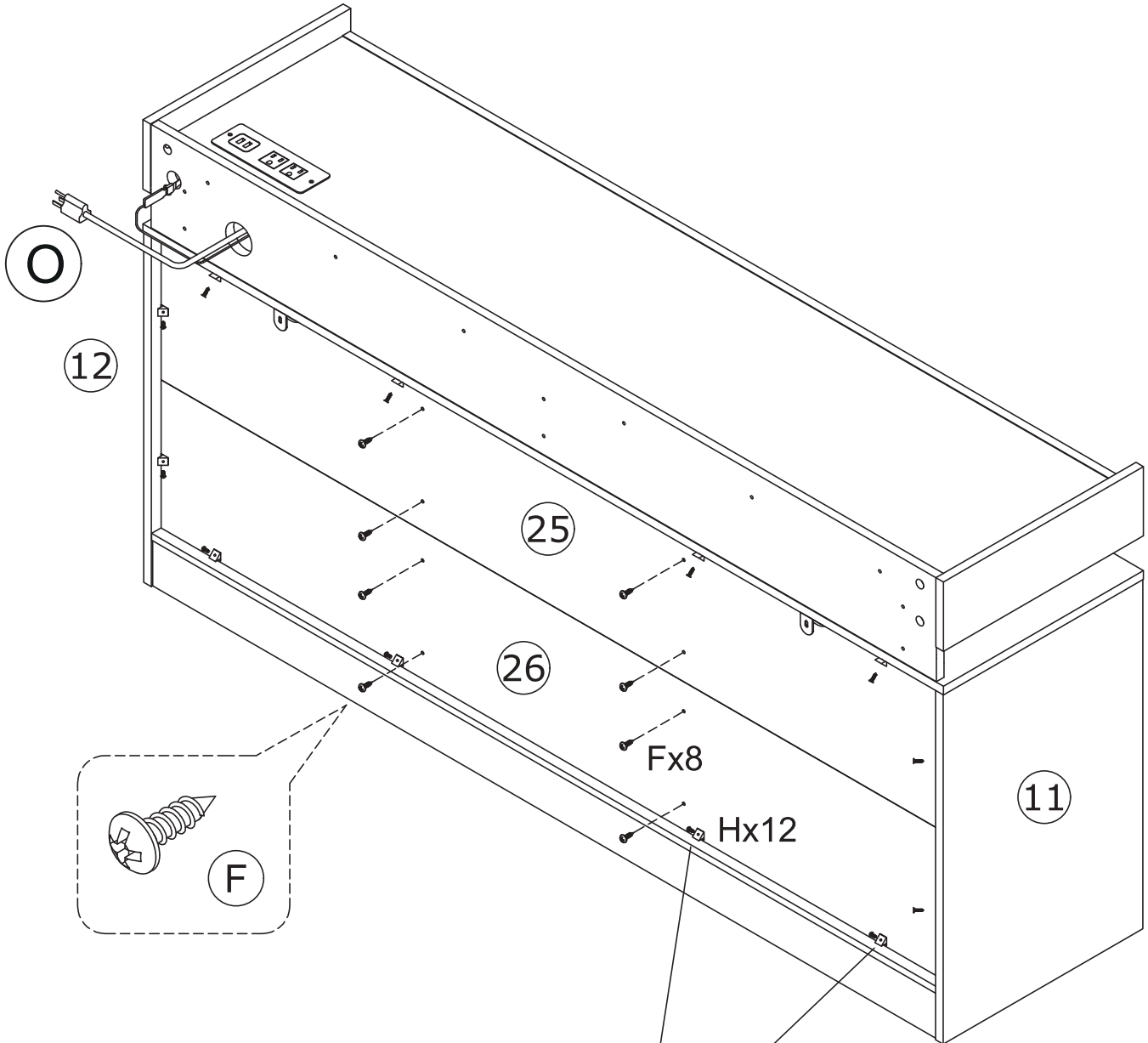
A x 8



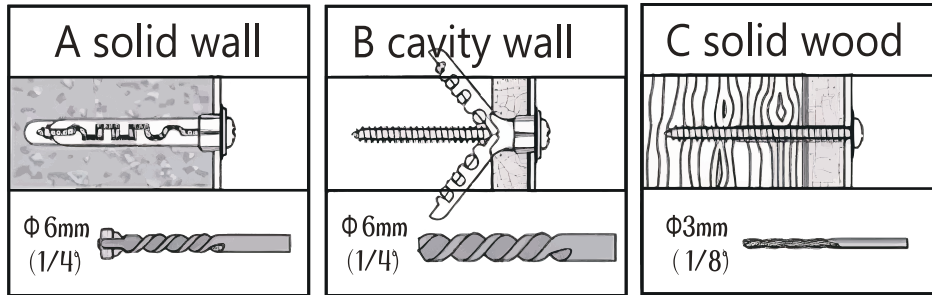
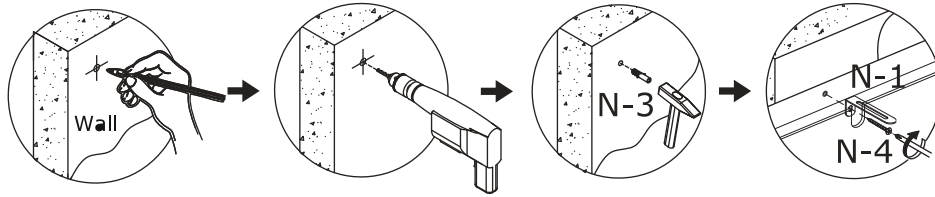
Ø15 x 9.5 mm



23

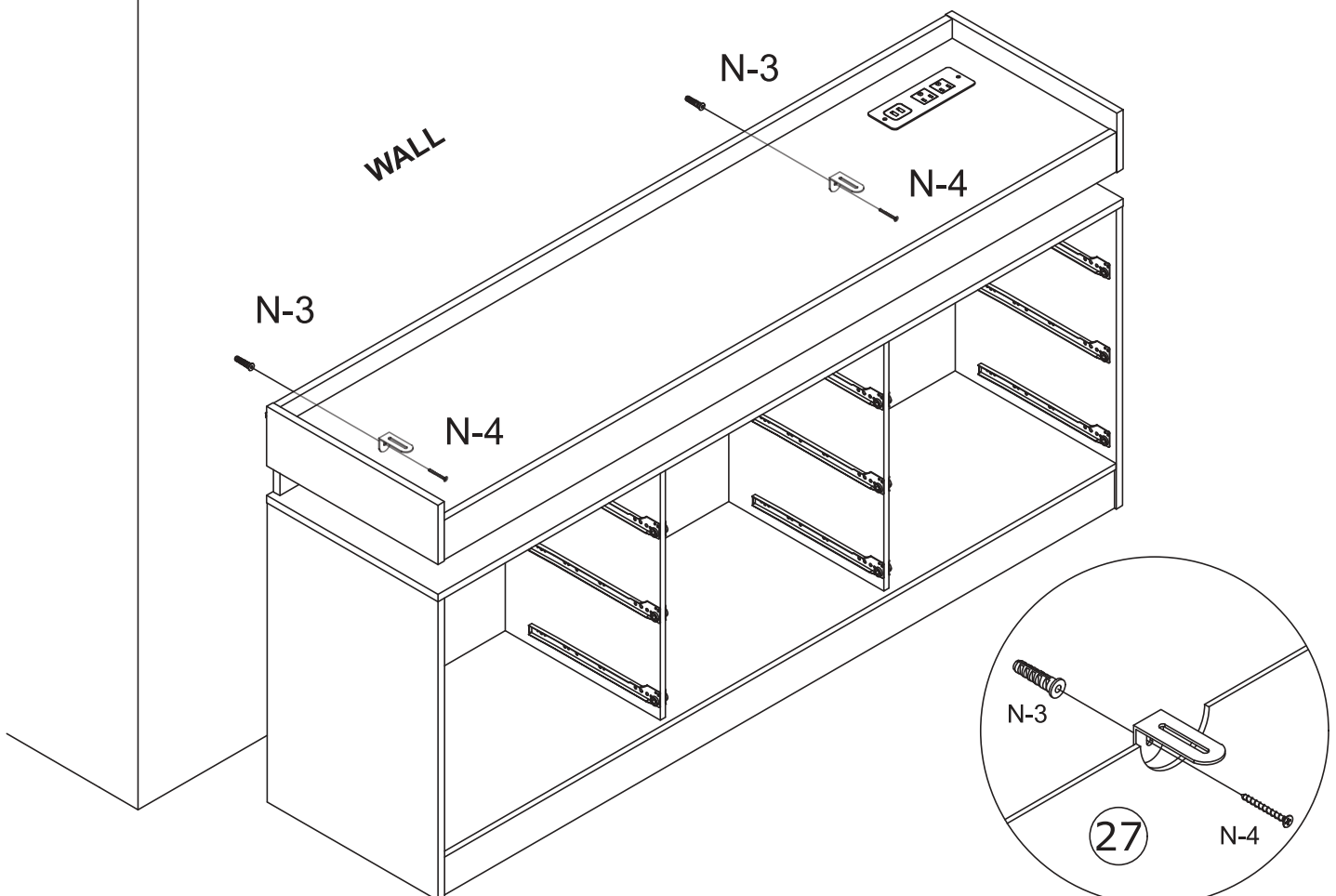


24

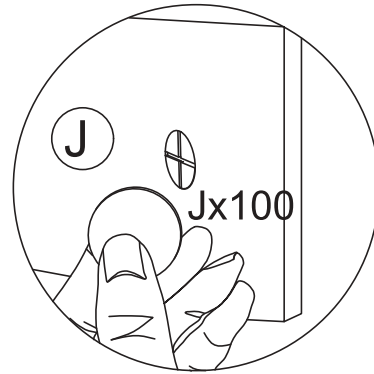
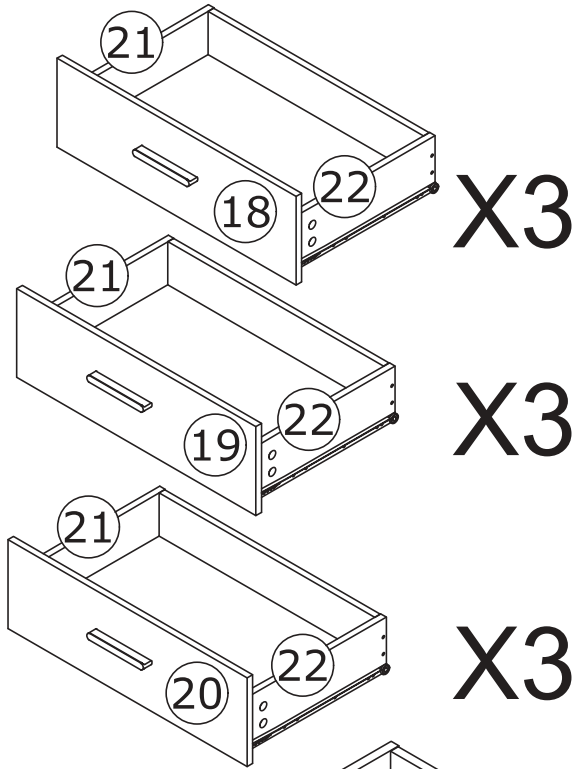


⚠ Warning: If you overturn the furniture, it may cause serious or fatal crushing injuries. We have a wall connection device attached, please use it to hold the furniture following these instructions.

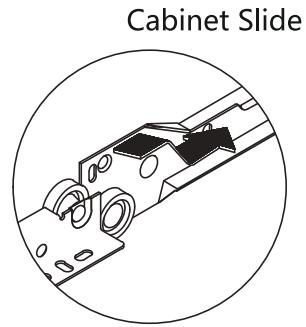
1. Mark the corresponding hole positions where you want to place the furniture;
2. Use a impact drill to drill holes and pay attention to avoid wires and water pipes;
3. Knock the expansion pipes into the wall holes;
4. Place the furniture in the corresponding position and tighten the wall connection device with screws, and lock the N-2 screw tightly.



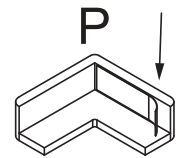
25



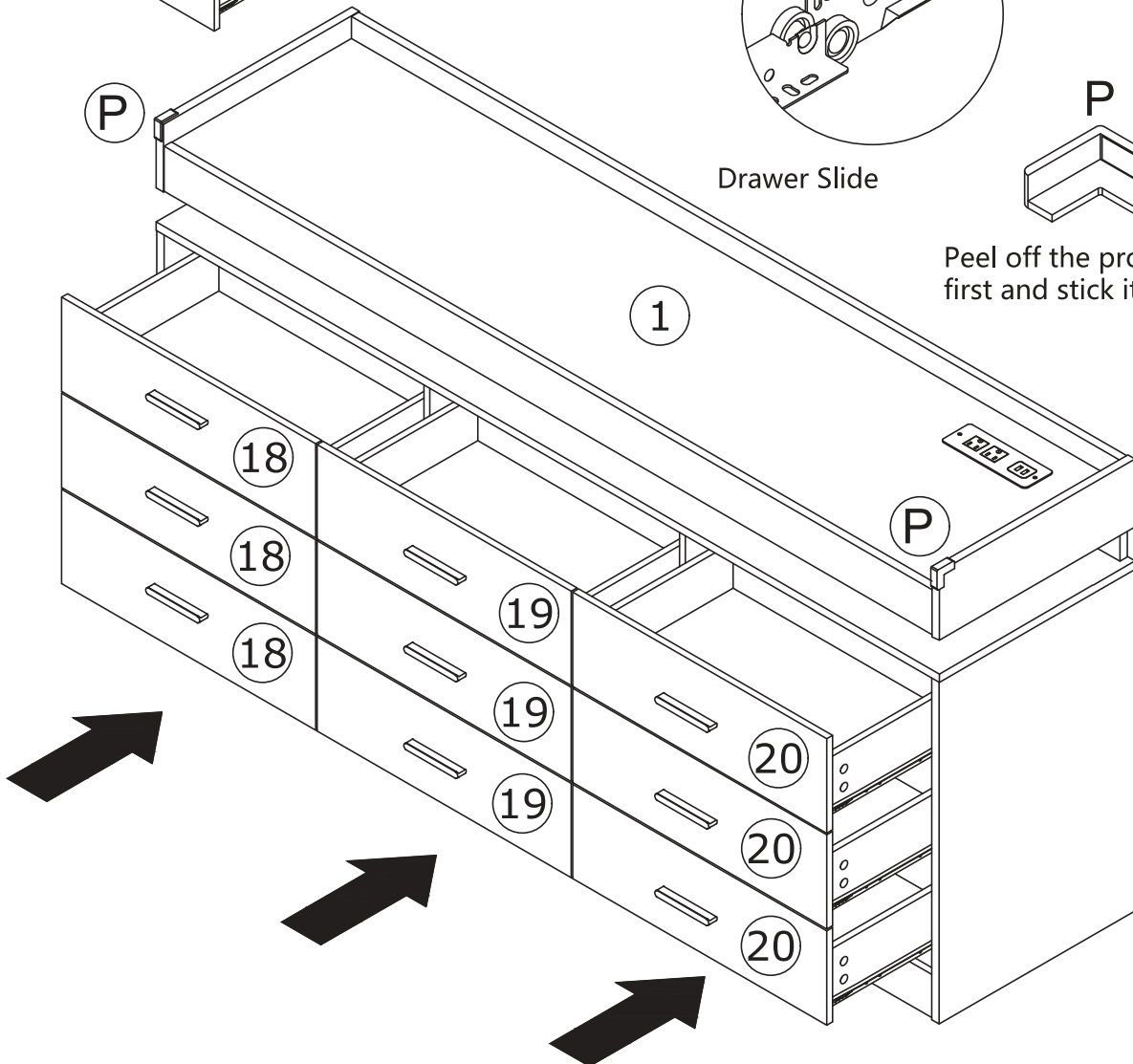
Stick the ring patch J on the lock holes!



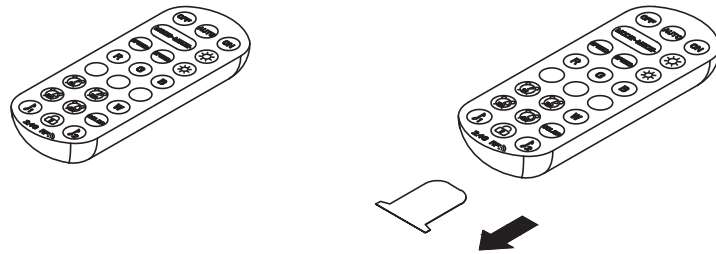
Drawer Slide



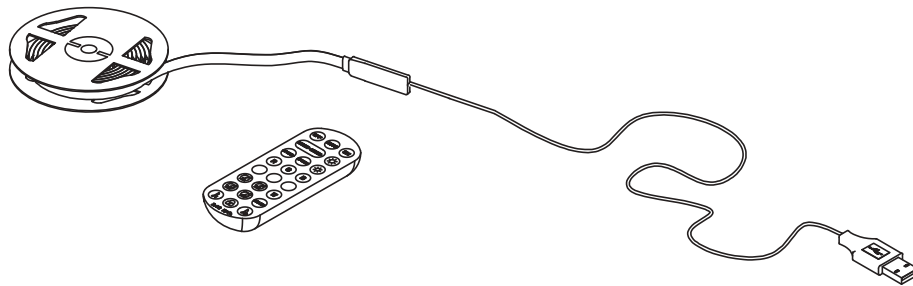
Peel off the protective film first and stick it well.



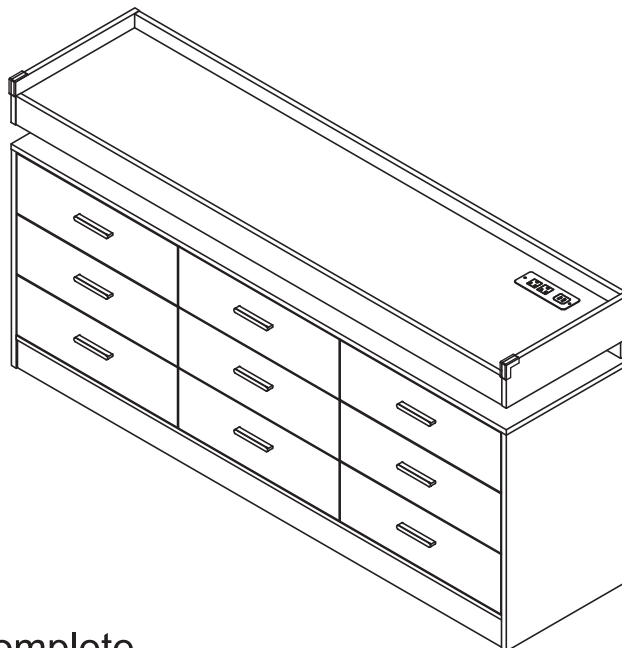
-LED lamp with effective remote control distance of 5 meters



1. Take out the remote control gasket

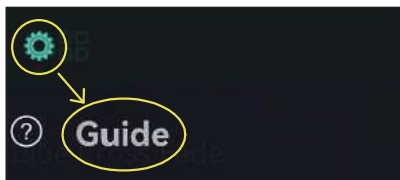


2. Align remote controller to the RGB Control box to adjust the color mode



- Installation complete.

APP PROGRAM USAGE



Notes:
detailed operating instructions,
enter the menu "Guide":

- Product Paramters:
- Bluetooth: BLEV4.2
 - Input Voltage:4.5~26V
 - Working Temp:-25~75°C
 - Size:43*22*11mm
 - Weight:30g
 - Max Power:144W(24V)

LED mobile phone Bluetooth

controllerProduct Features

- LED Bluetooth controller is directly via mobilephone control remote distance can reach 20m without the need to set up, easy to connect open the software within 5 seconds you can automatically connect the controller
 - Flow the rhythm of the music changes
 - Group control
 - Brightness, speed addition and subtraction
 - Maximum can be 10 meters RGB(W) strip
 - The software shows that the text is based onthe language of the mobile phone set up automatic transformation of Chinese and English
- Animation Effect:
- Colorful gradient
 - All kinds of monochrome, double color gradient
 - All kinds of monochrome, double color,colorfull flashing
 - Colorful jump
 - Follow the thymh of the music chagnes