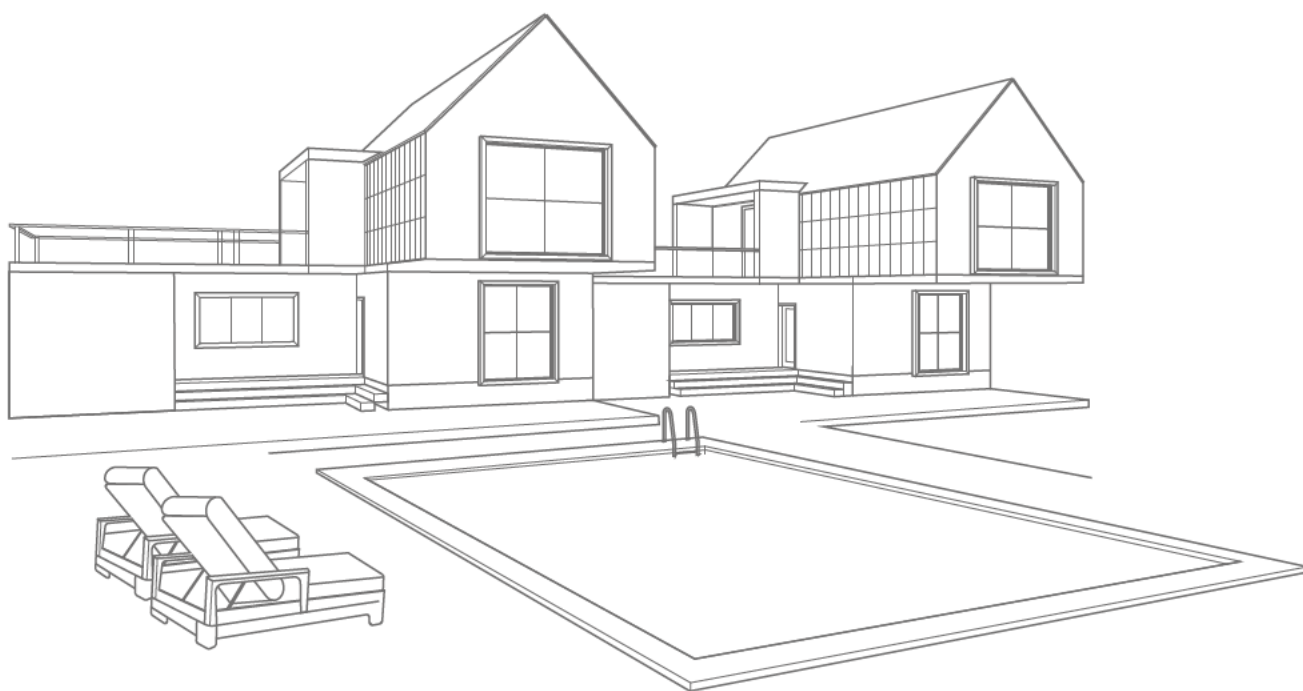





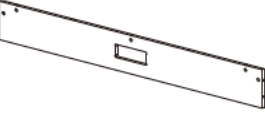

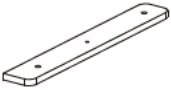
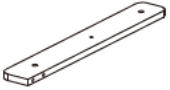

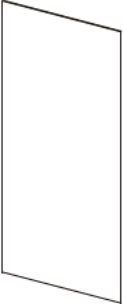
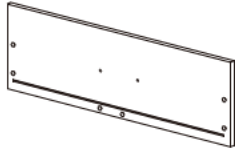
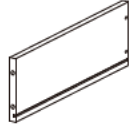
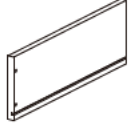




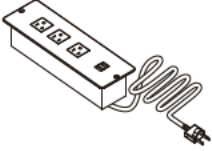

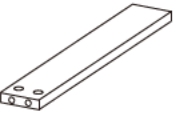



# Wooden Dresser with LED Light





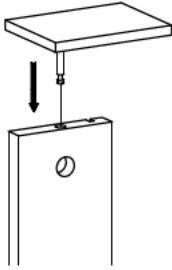
# BOARD IDENTIFICATION

				
<b>Ax1</b>	<b>Bx1</b>	<b>Cx1</b>	<b>Dx1</b>	<b>Ex1</b>
				
<b>Fx1</b>	<b>Gx2</b>	<b>Hx1</b>	<b>Ix1</b>	<b>Jx1</b>
				
<b>Kx2</b>	<b>Lx6</b>	<b>Mx6</b>	<b>Nx6</b>	<b>Ox6</b>
				
<b>Px6</b>	<b>Qx2</b>	<b>Rx1</b>	<b>Sx1</b>	<b>Tx5</b>
				
<b>Ux6</b>	<b>Vx2</b>			

# BOARD IDENTIFICATION

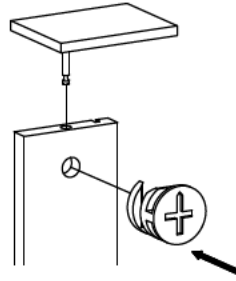
## Installation of Eccentric Wheel Nut Set

1



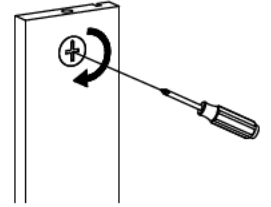
Screw the end of cambolt on the board, find the corresponding board and insert the other end.

2

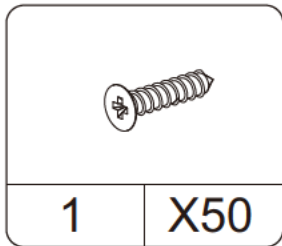


Stuff the camlock into the round hole. The arrowpoints to the cambolt.

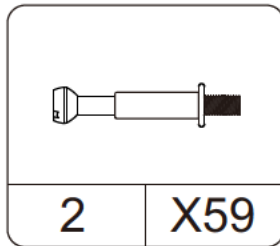
3



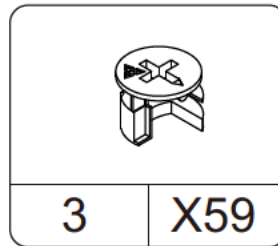
Turn clockwise about 180° to lock the plate.



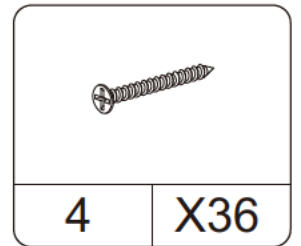
Screws  
M4X10



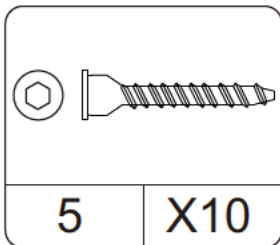
Cam bolt  
Ø6X18



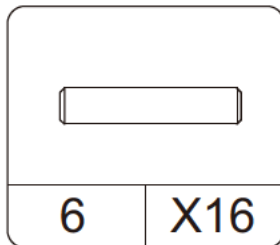
Cam lock  
Ø 12X10



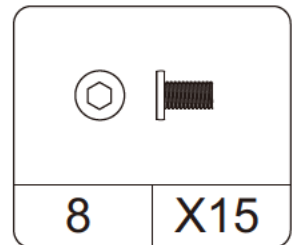
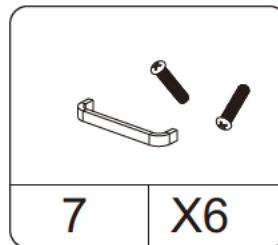
Screws  
M4x30



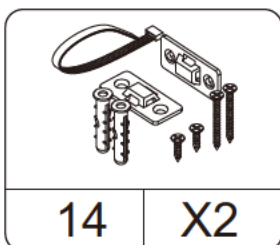
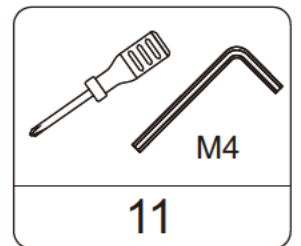
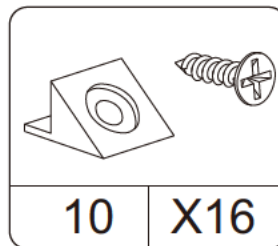
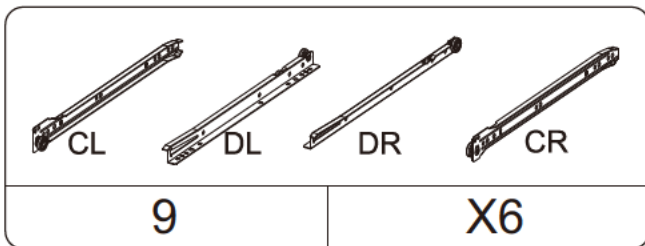
Screws  
M6.3x50



Wood dowel  
Ø6X30

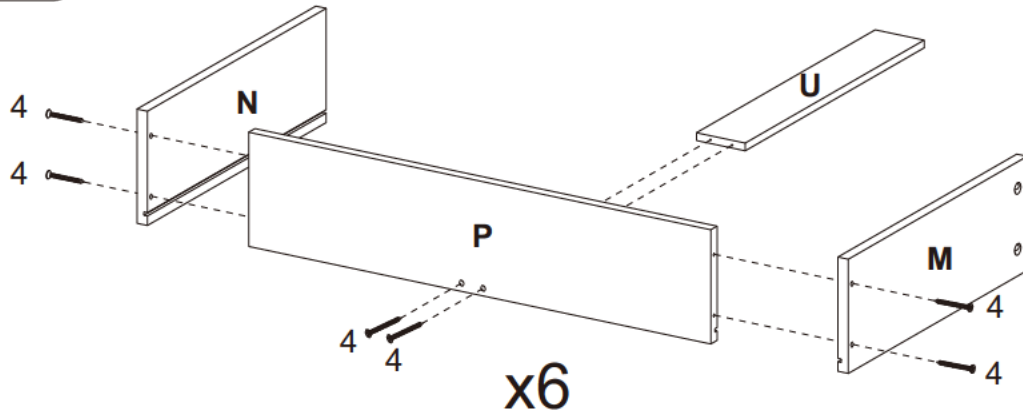
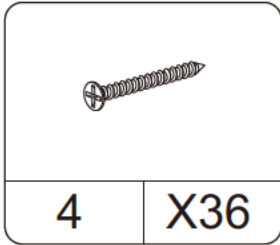


Screws  
M6x10

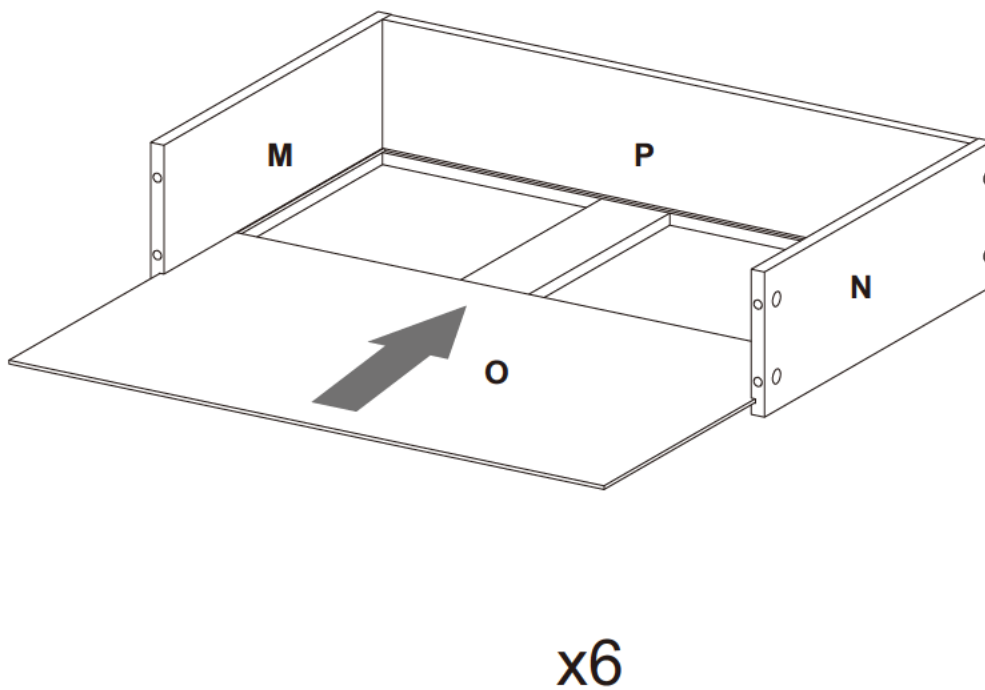


# INSTALLATION STEPS

STEP1:

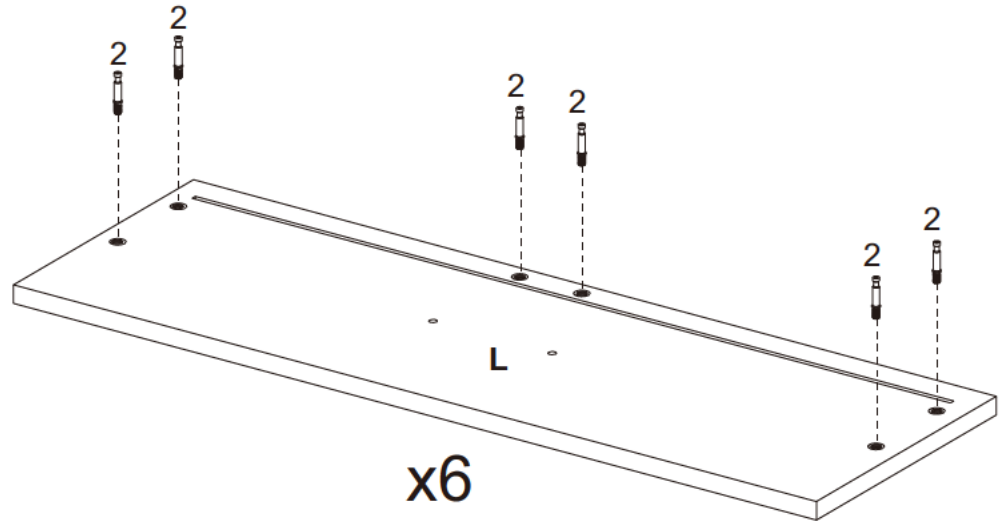
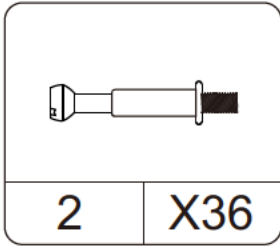


STEP2:

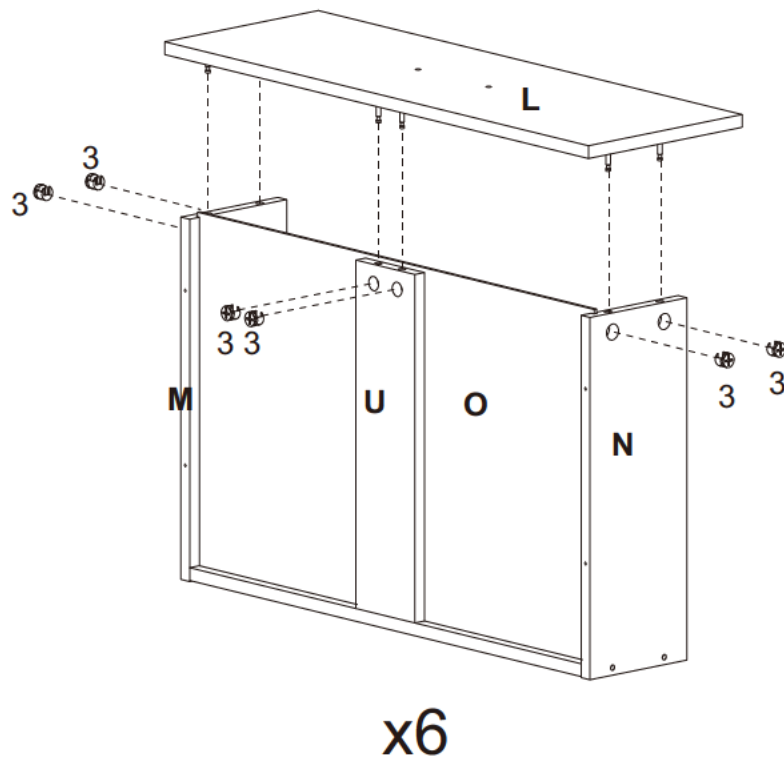
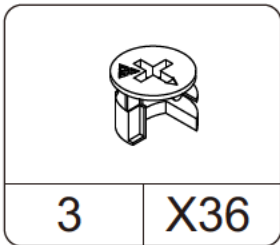


# INSTALLATION STEPS

## STEP3:

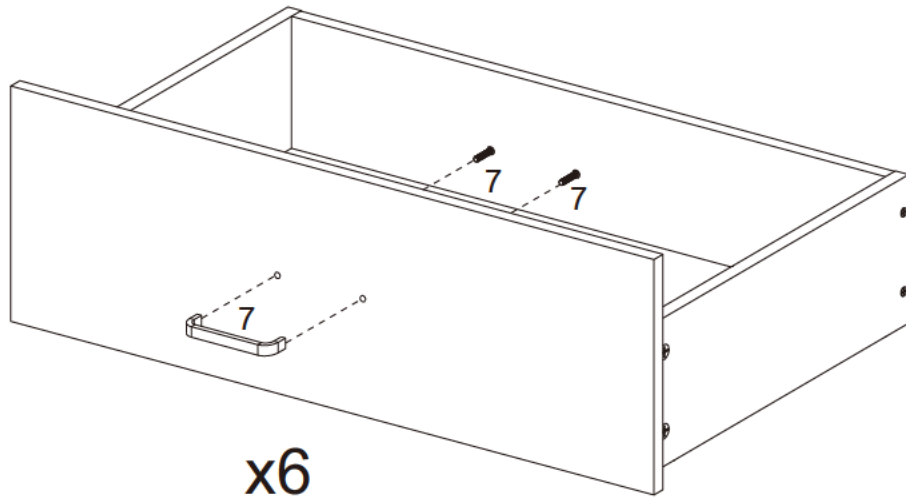
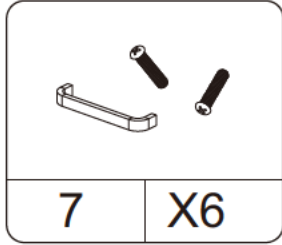


## STEP4:

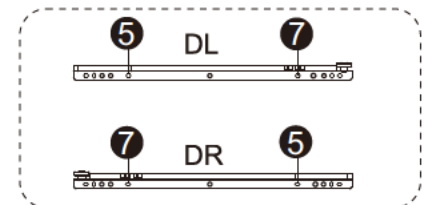
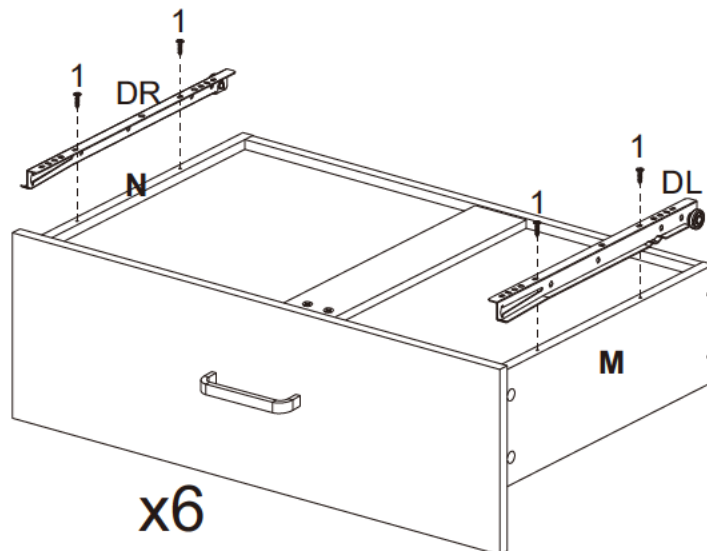
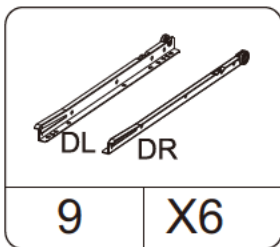
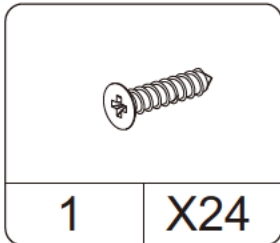


# INSTALLATION STEPS

## STEP5:

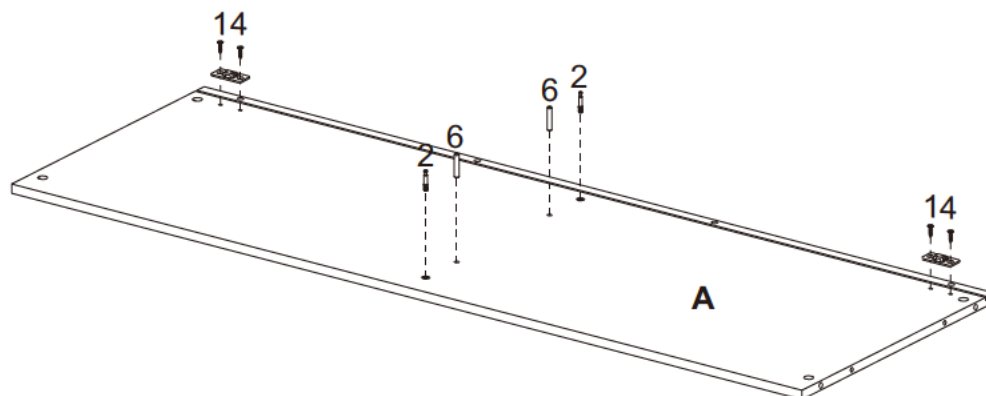
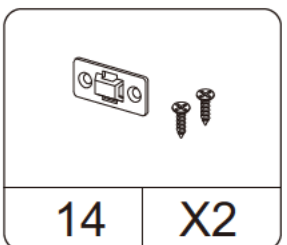
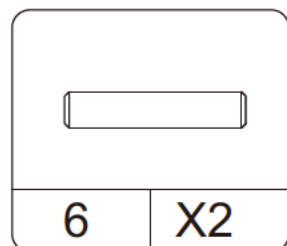
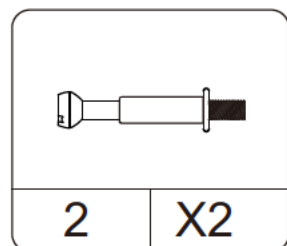


## STEP6:

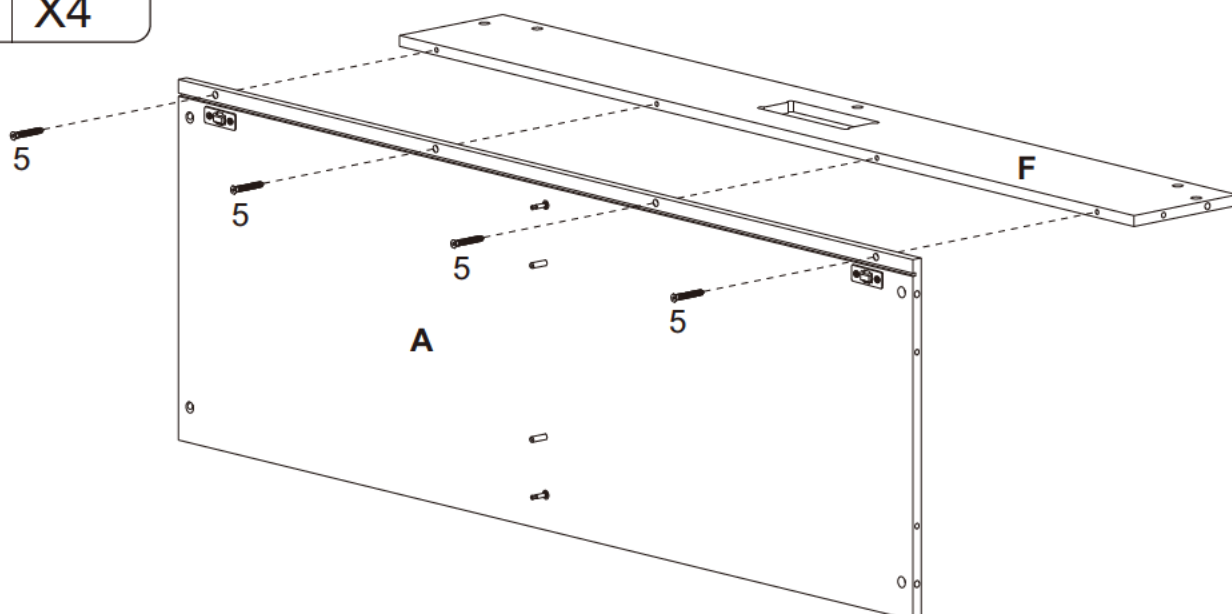
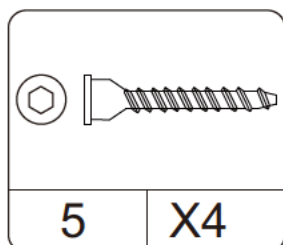


# INSTALLATION STEPS

## STEP7:

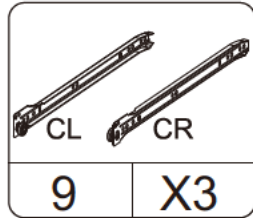
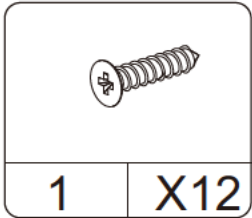
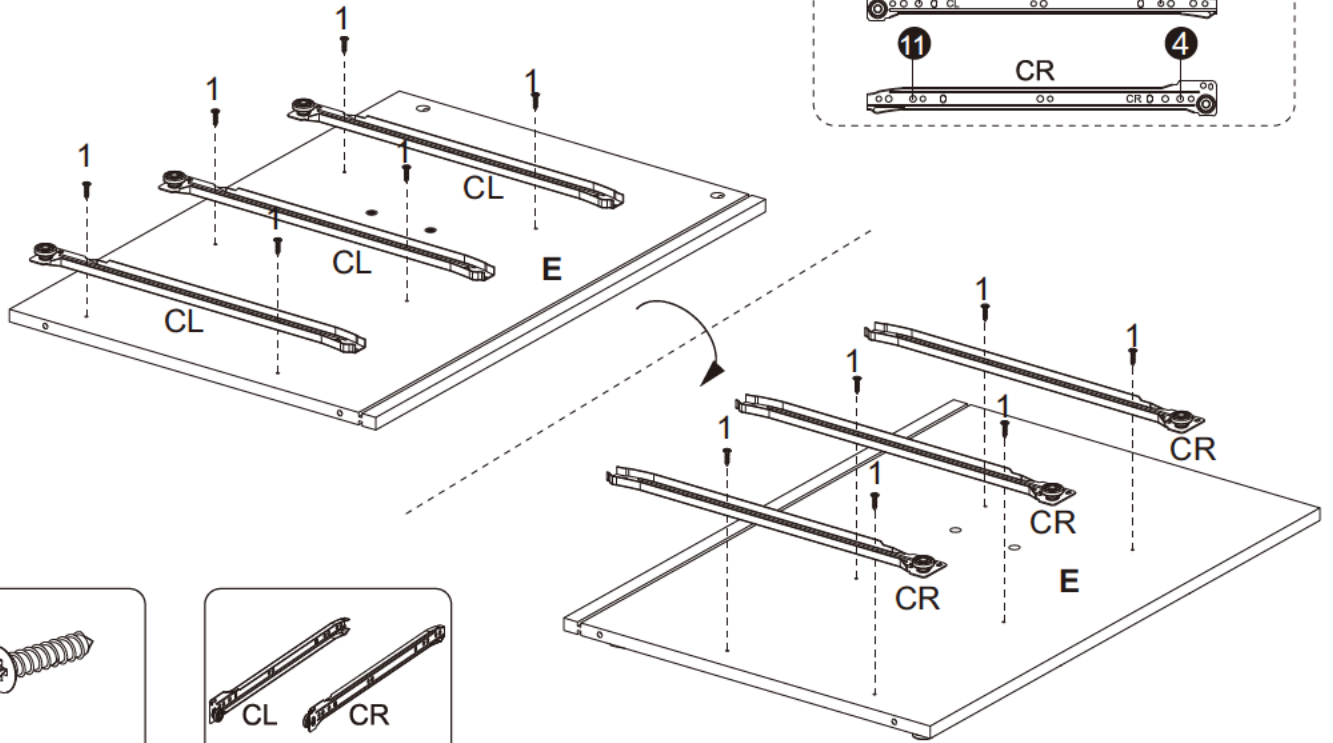


## STEP8:

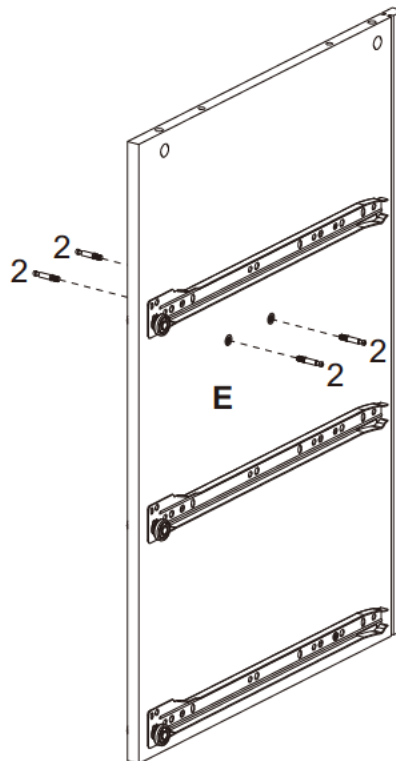
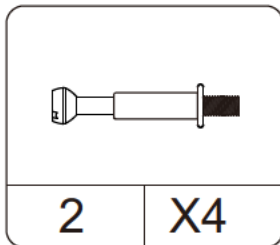


# INSTALLATION STEPS

## STEP9:

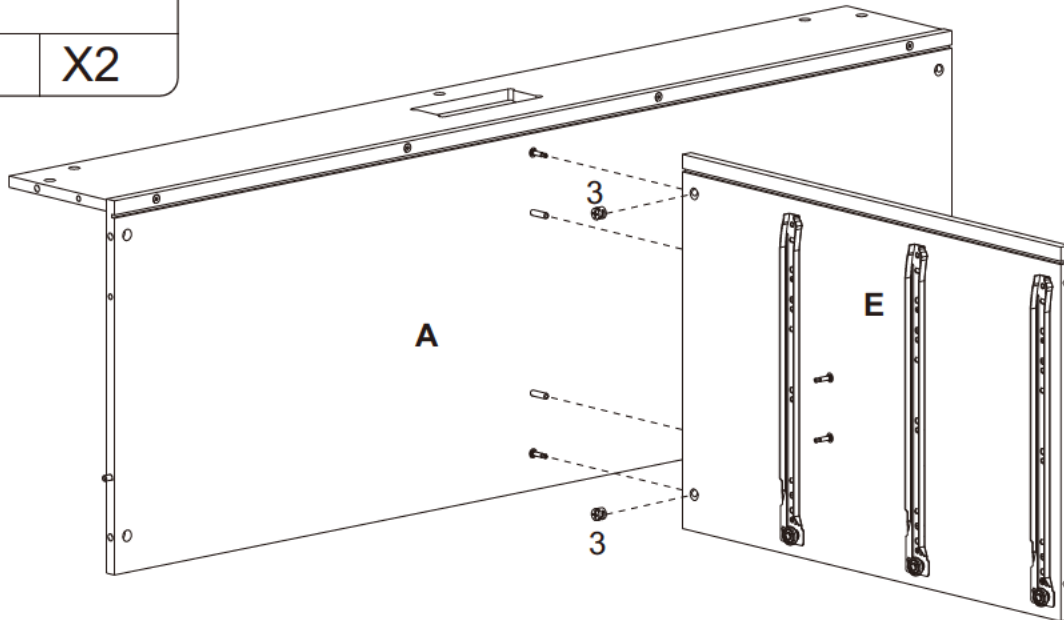
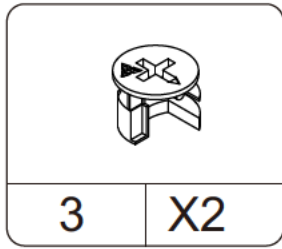


## STEP10:

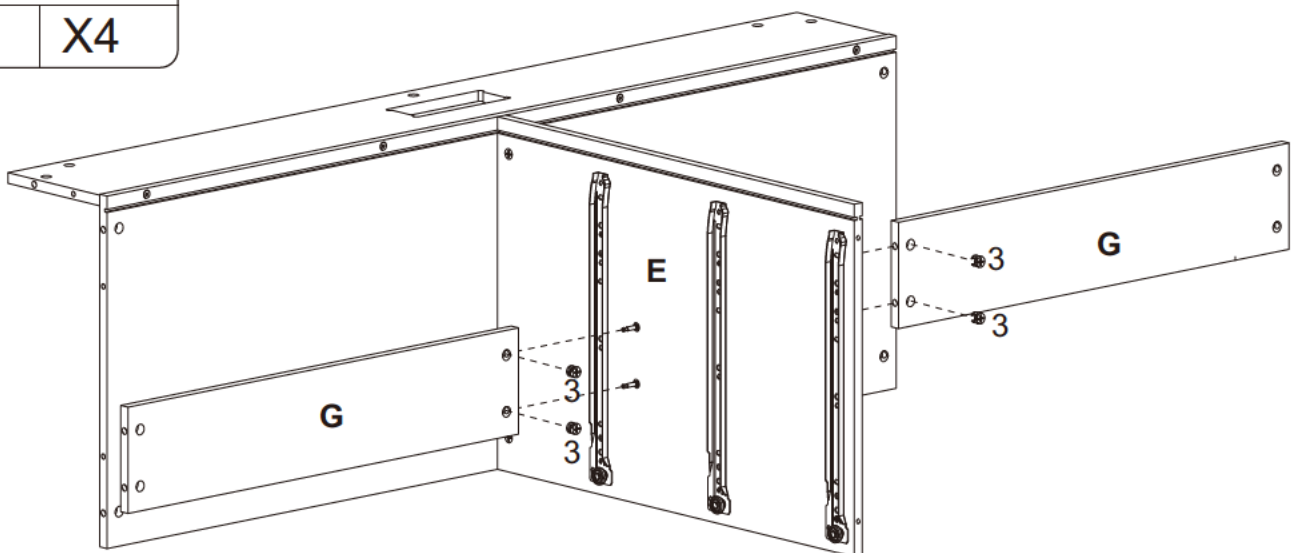
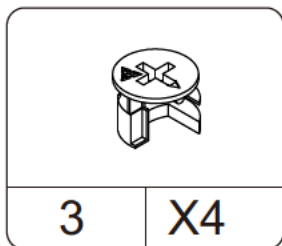


# INSTALLATION STEPS

## STEP 11:

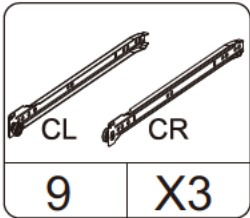
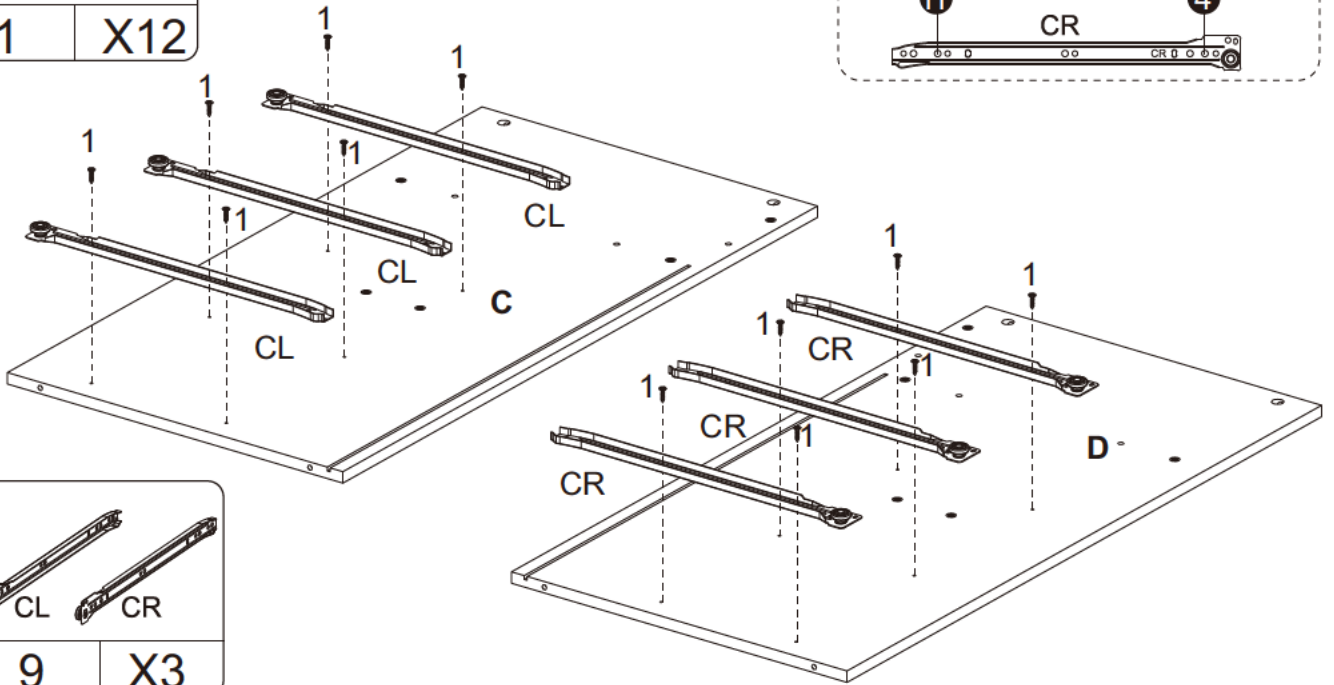
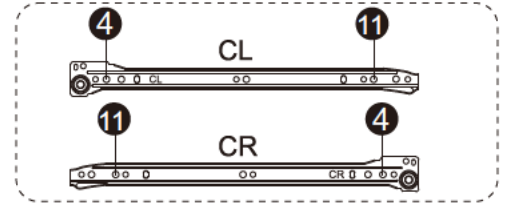
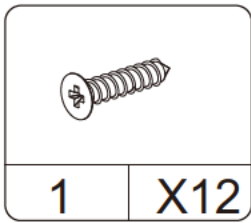


## STEP 12:

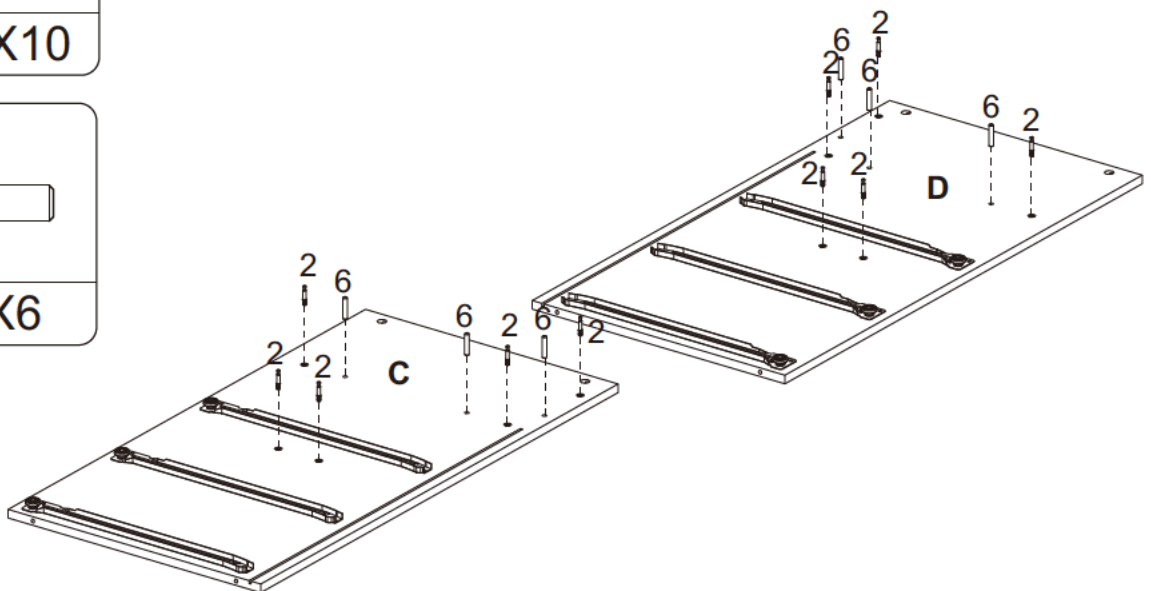
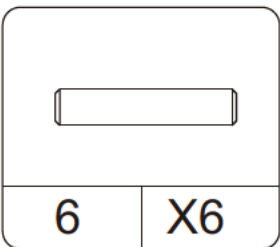
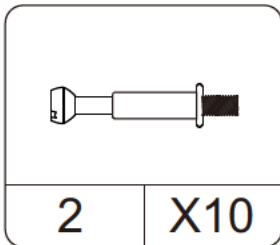


# INSTALLATION STEPS

## STEP 13:

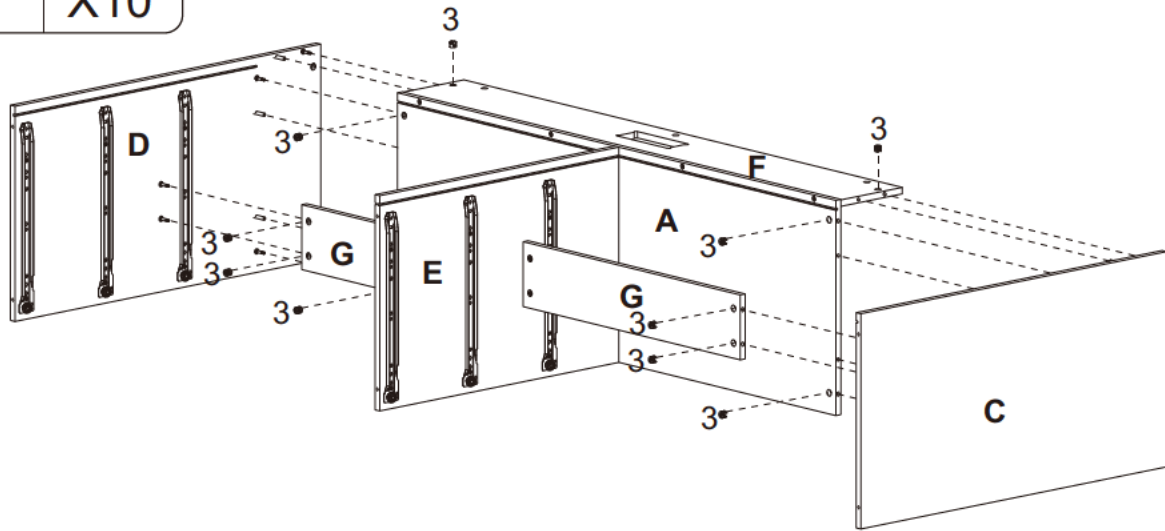
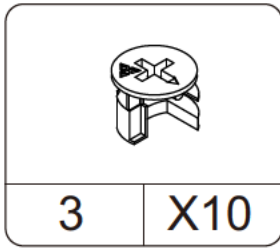


## STEP 14:

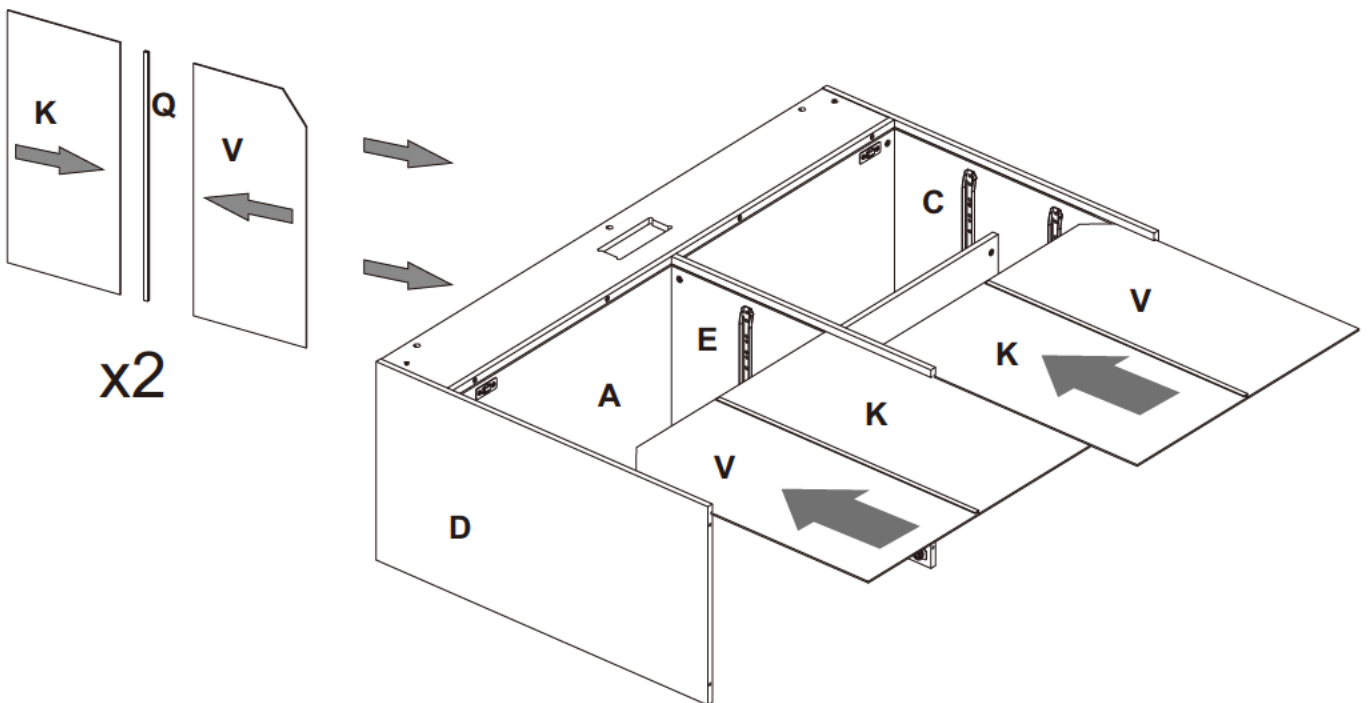


# INSTALLATION STEPS

## STEP 15:

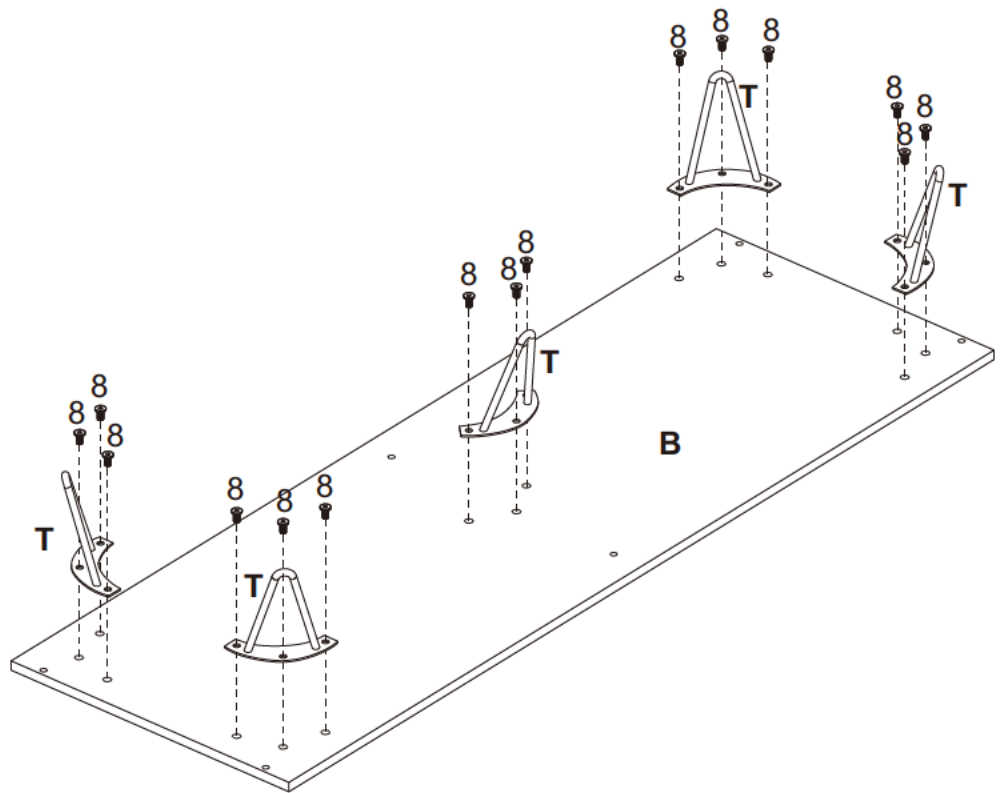
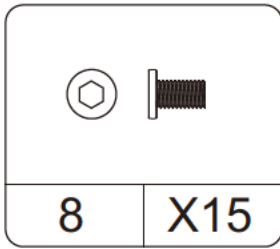


## STEP 16:

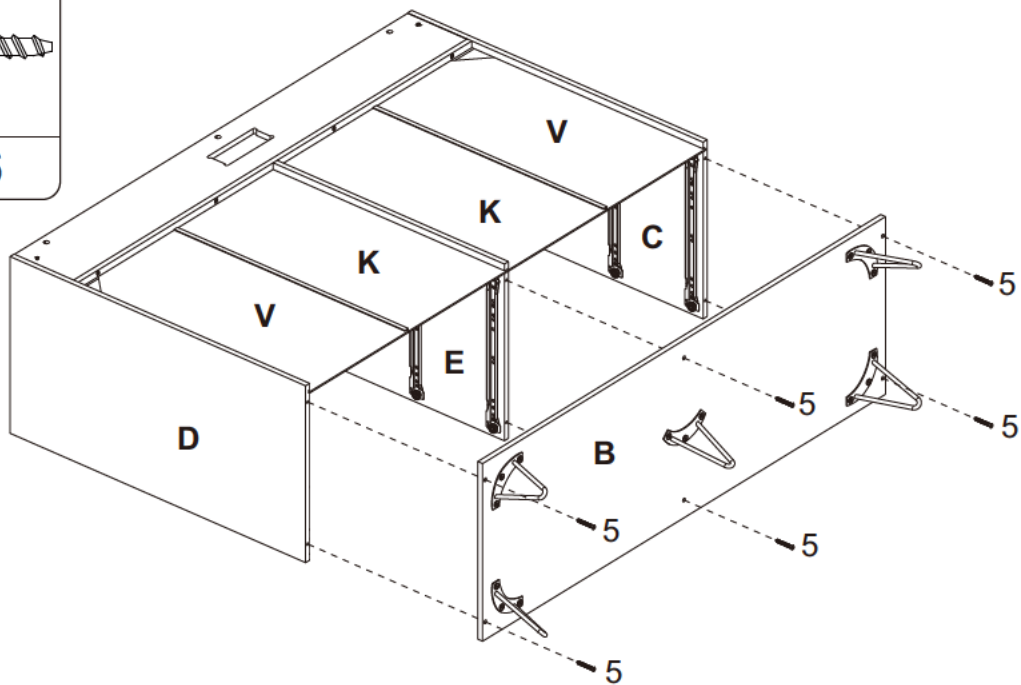
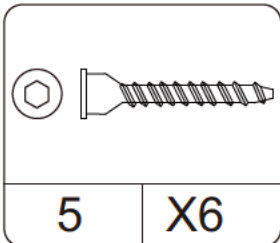


# INSTALLATION STEPS

## STEP 17:

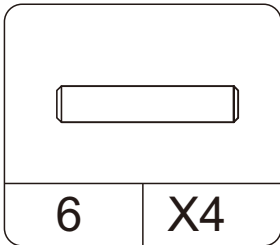
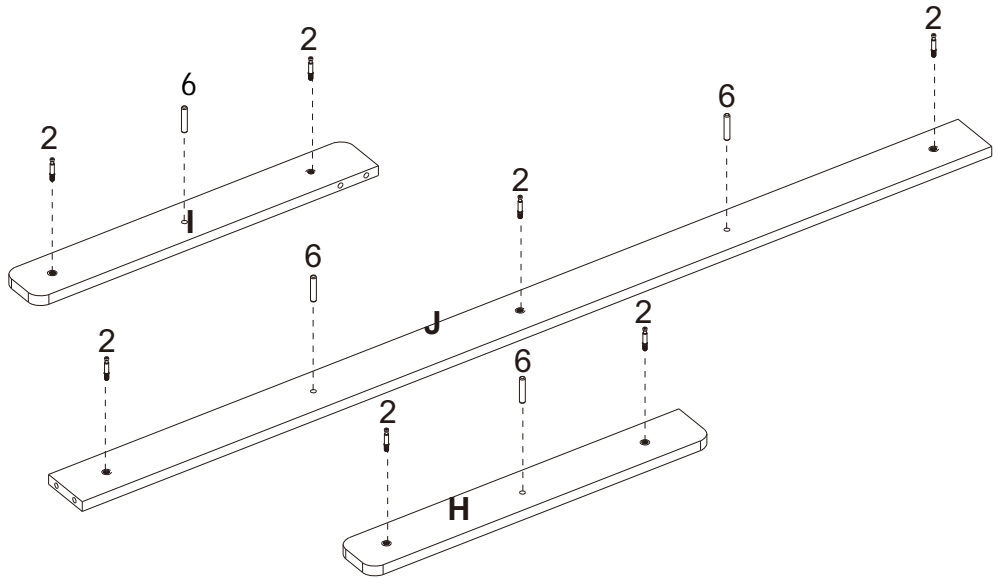
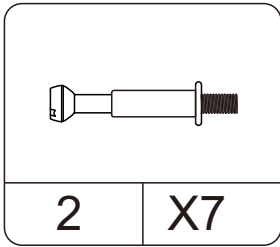


## STEP 18:

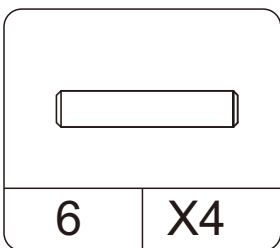
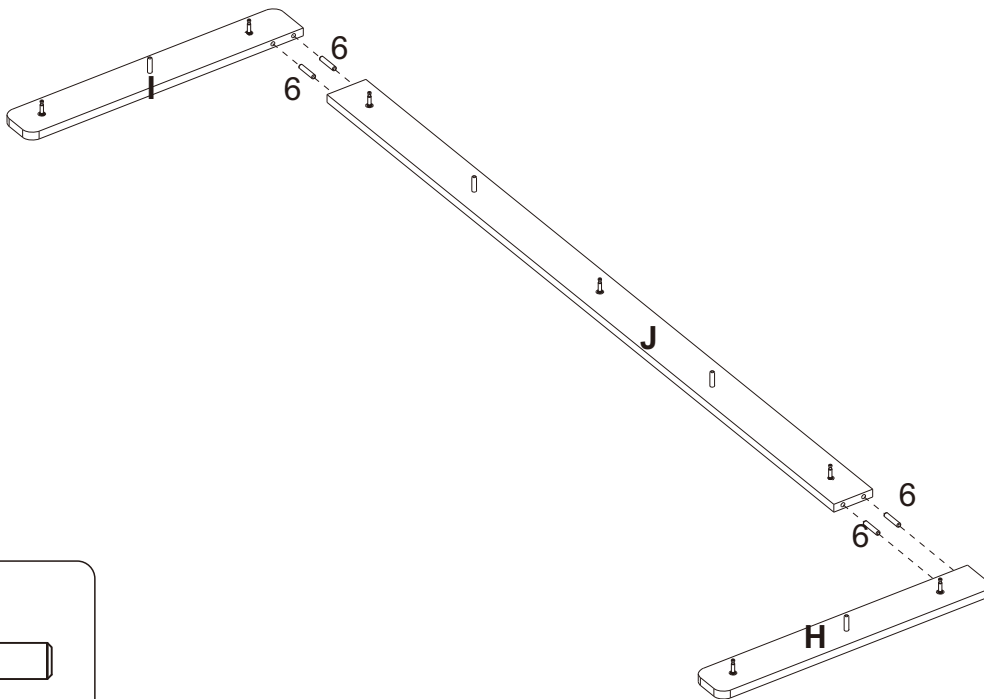


# INSTALLATION STEPS

## STEP19:

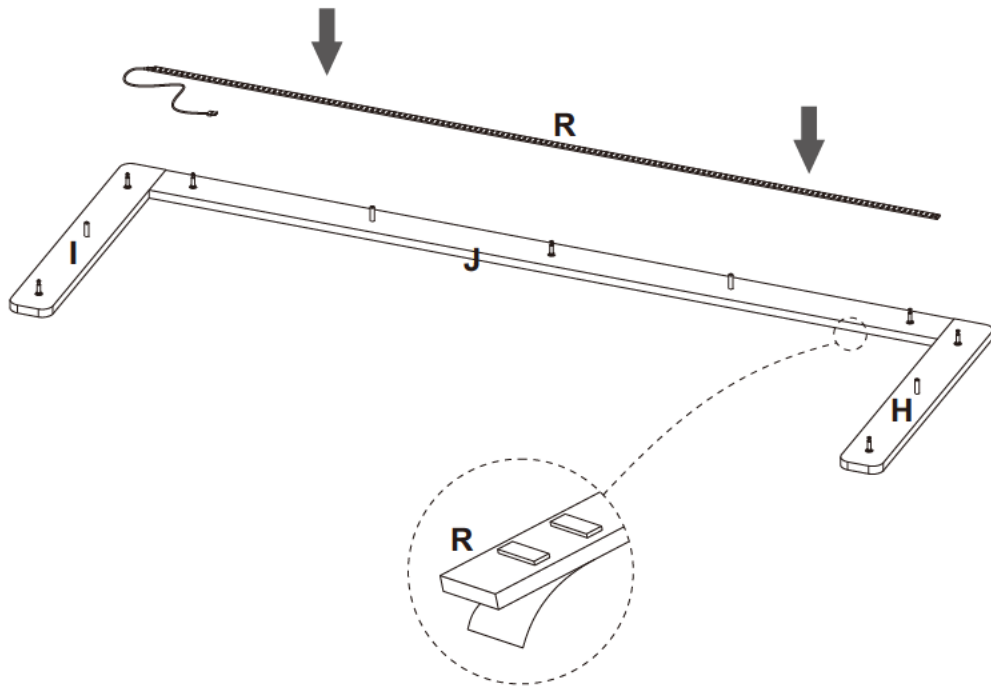


## STEP20:

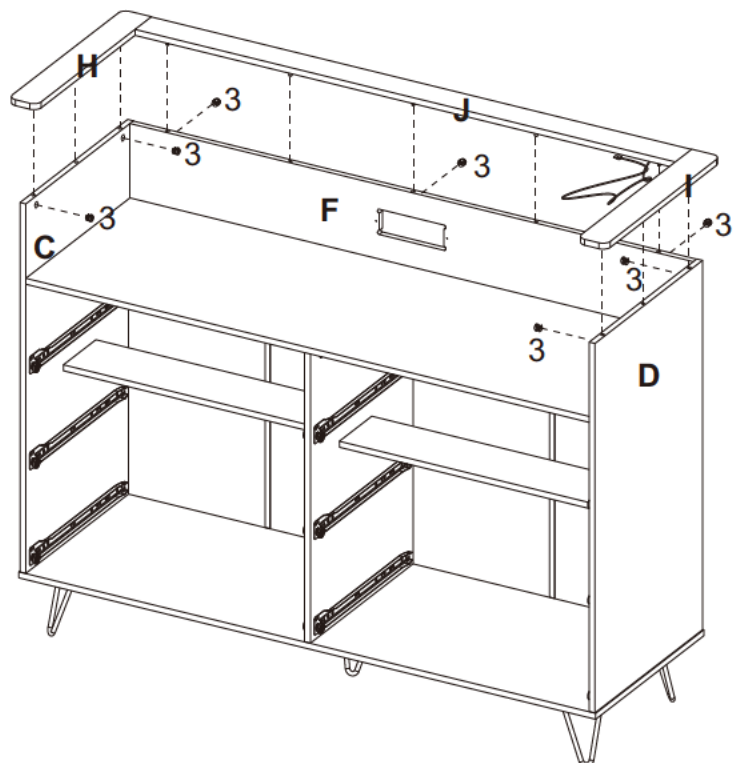
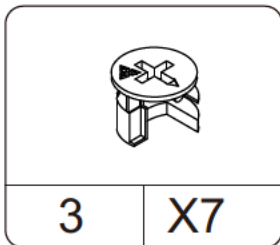


# INSTALLATION STEPS

STEP21:

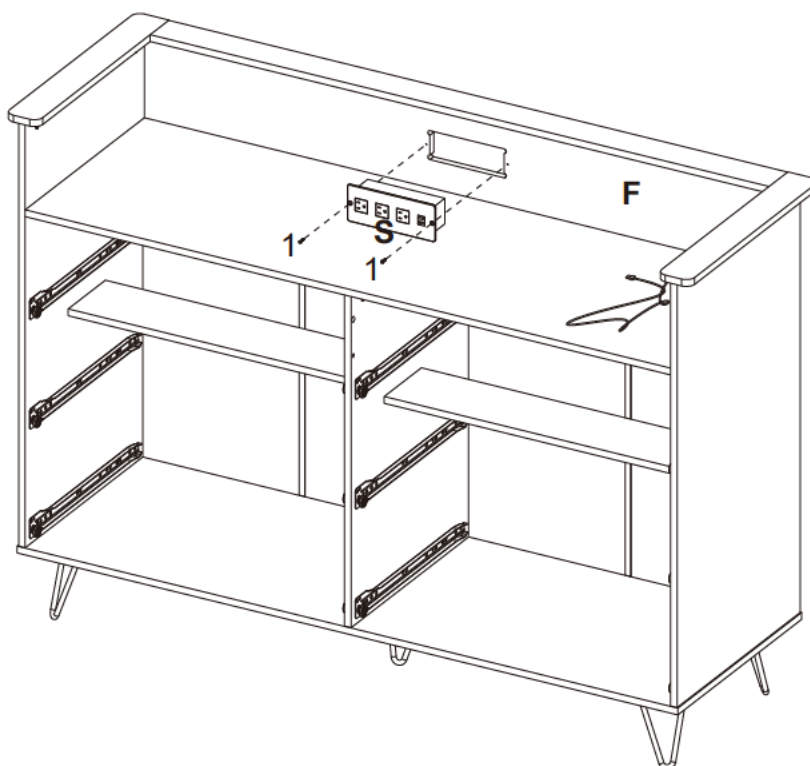
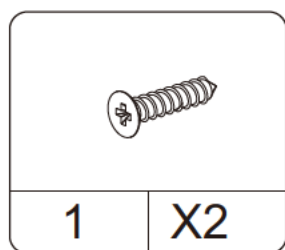


STEP22:

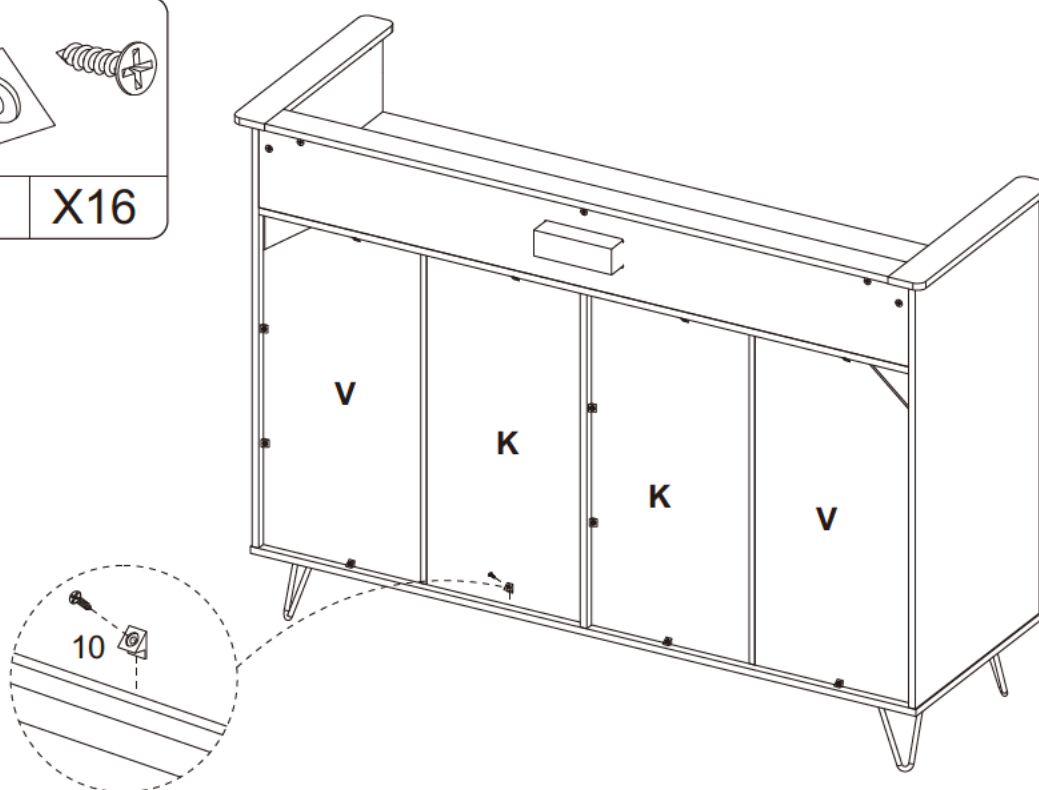
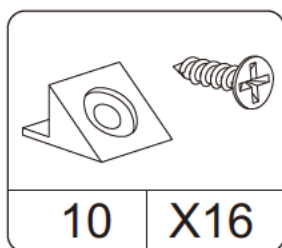


# INSTALLATION STEPS

## STEP23:

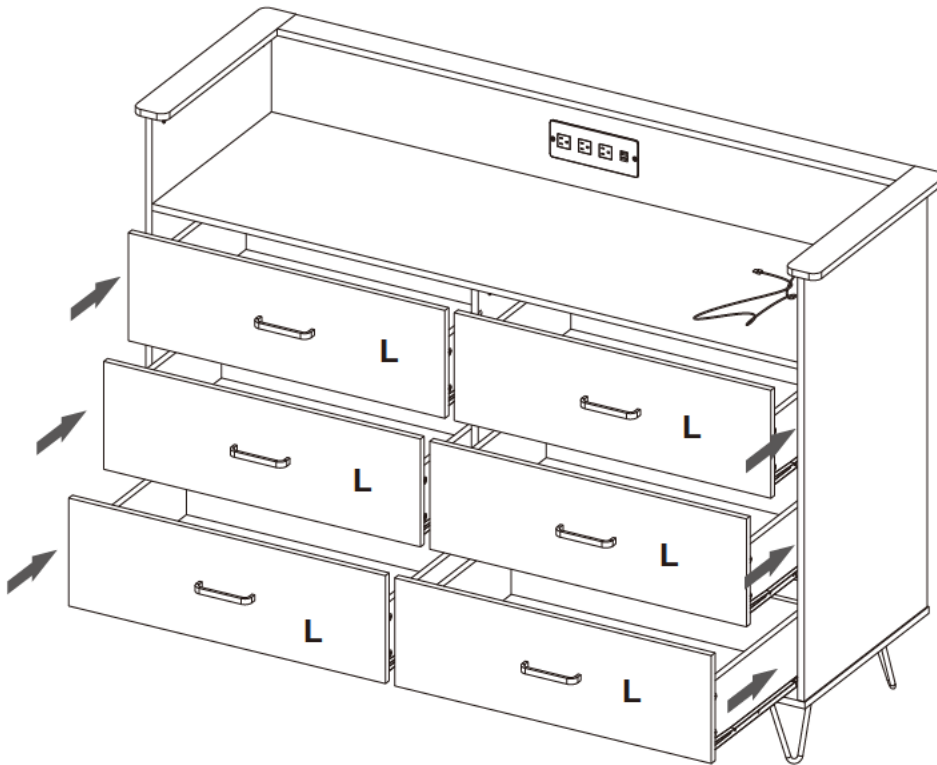


## STEP24:



# INSTALLATION STEPS

STEP25:



STEP26:

