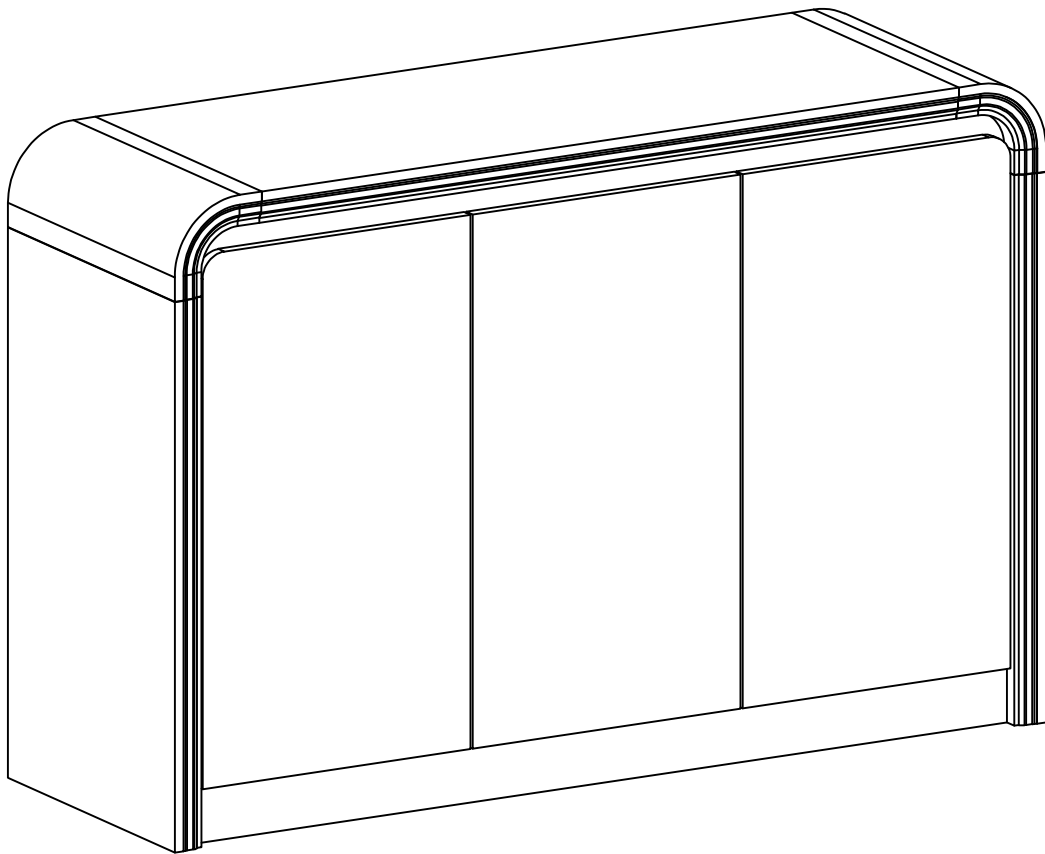


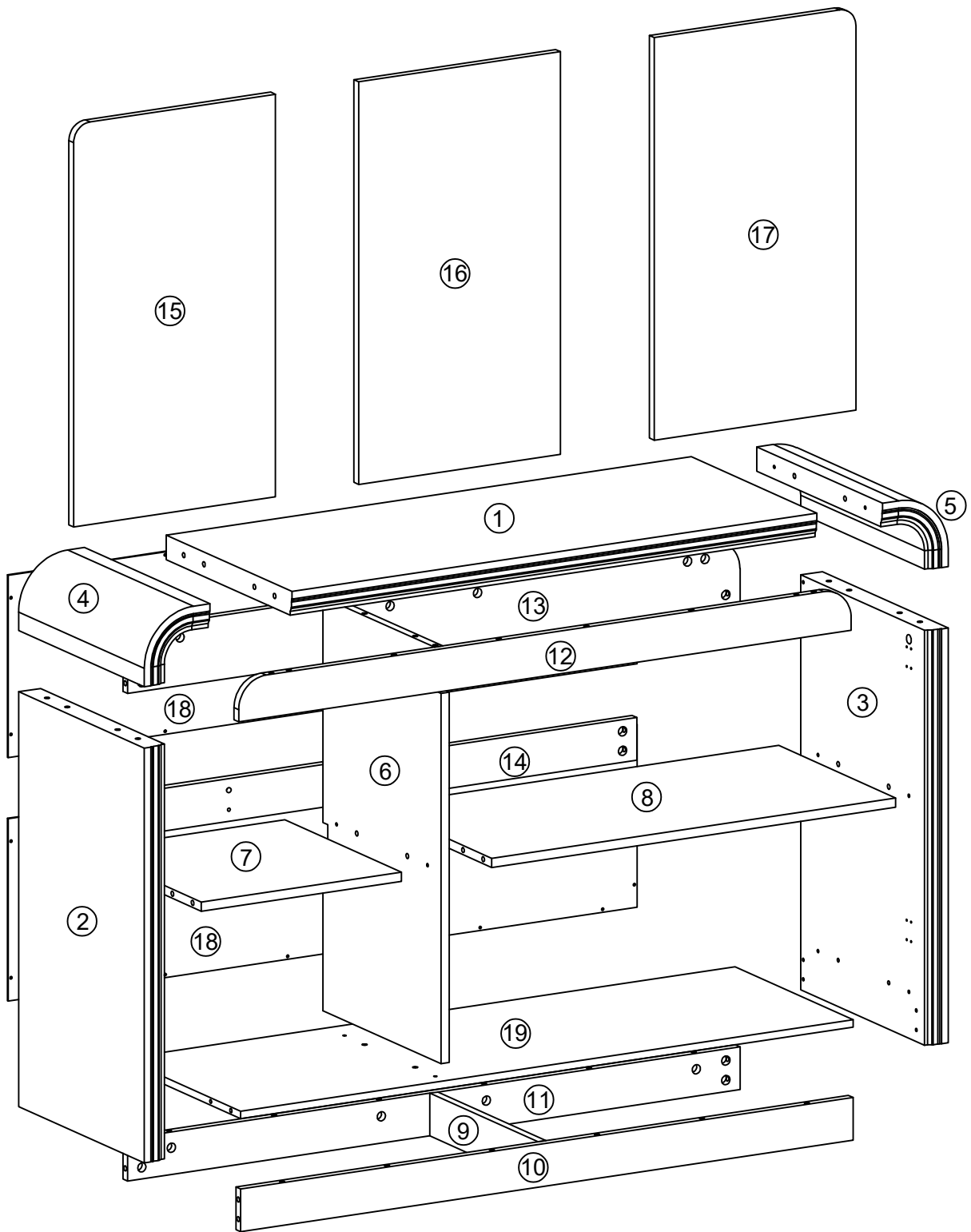
Multifunctional storage

Assembly Instructions

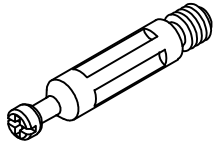
we recommend using the included manual installation tool for assembly.
If you choose to use a power drill, please set it to the lowest torque setting to prevent over-tightening, which may damage the wooden panels.



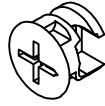
Parts List



Hardware

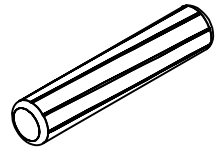


A x 64sets



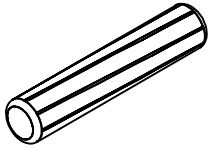
∅15X9.5MM

B x 64sets



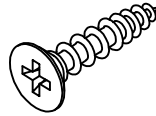
∅8 x 30MM

C x 32pcs



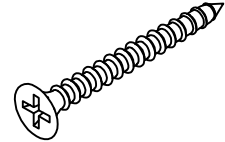
∅6 x 30MM

D x 5sets



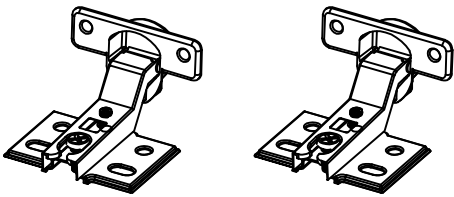
3.5 x 12MM

E x 54pcs



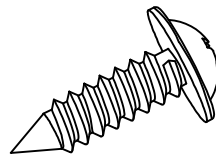
3.5 x 35MM

F x2pcs



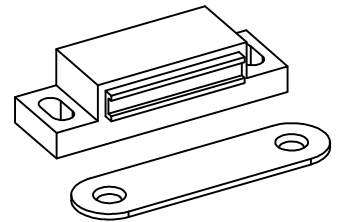
Ⓒ x 4sets

Ⓓ x 2sets

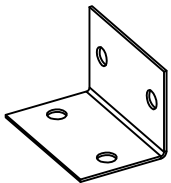


3.5 x 12MM

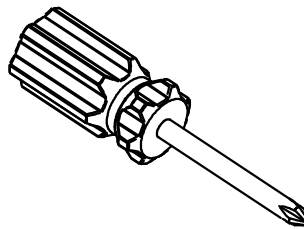
I x36pcs



J x3pcs



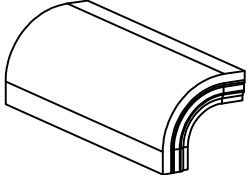
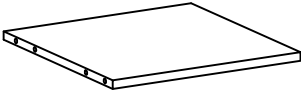
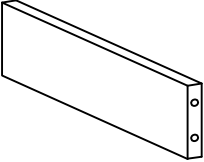
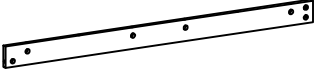
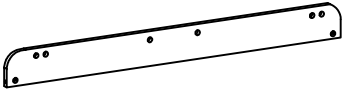




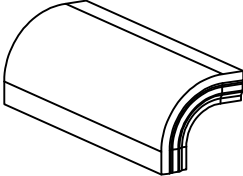






K x1pcs



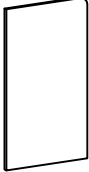
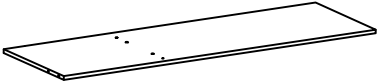
L x1pcs

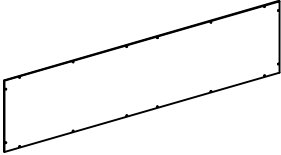
ASSEMBLY MATERIAL

Item no.	Reference Image	Oty.
①		X1
③		X1
⑤		X1
⑦		X1
⑨		X1
⑪		X1
⑬		X1
⑮		X1

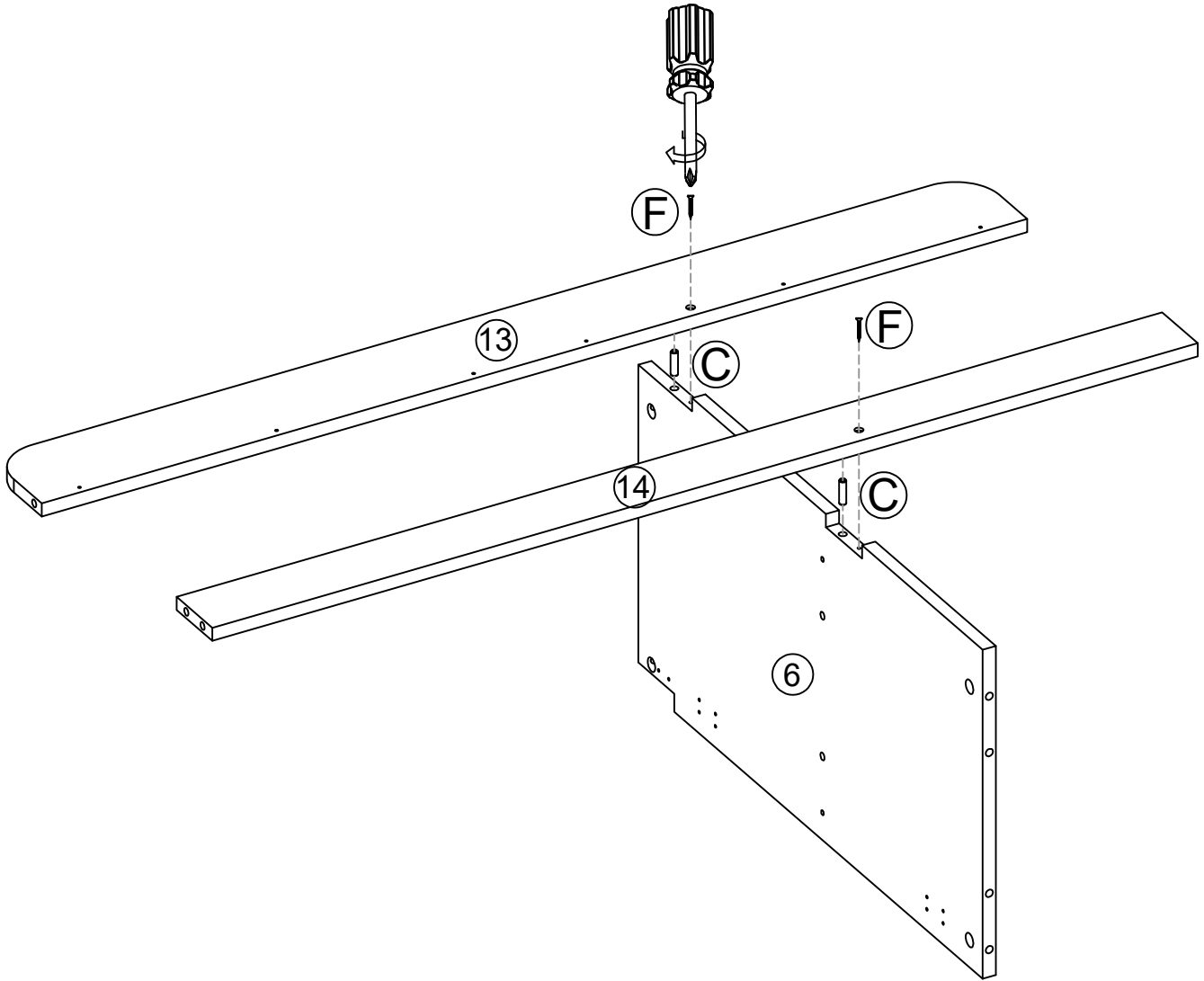
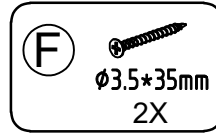
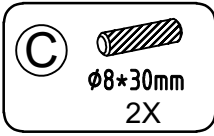
Item no.	Reference Image	Oty.
②		X1
④		X1
⑥		X1
⑧		X1
⑩		X1
⑫		X1
⑭		X1
⑯		X1

ASSEMBLY MATERIAL


Item no.	Reference Image	Oty.
17		X1
19		X1


Item no.	Reference Image	Oty.
18		X2

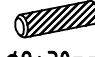
Step 1




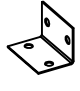
Step 2

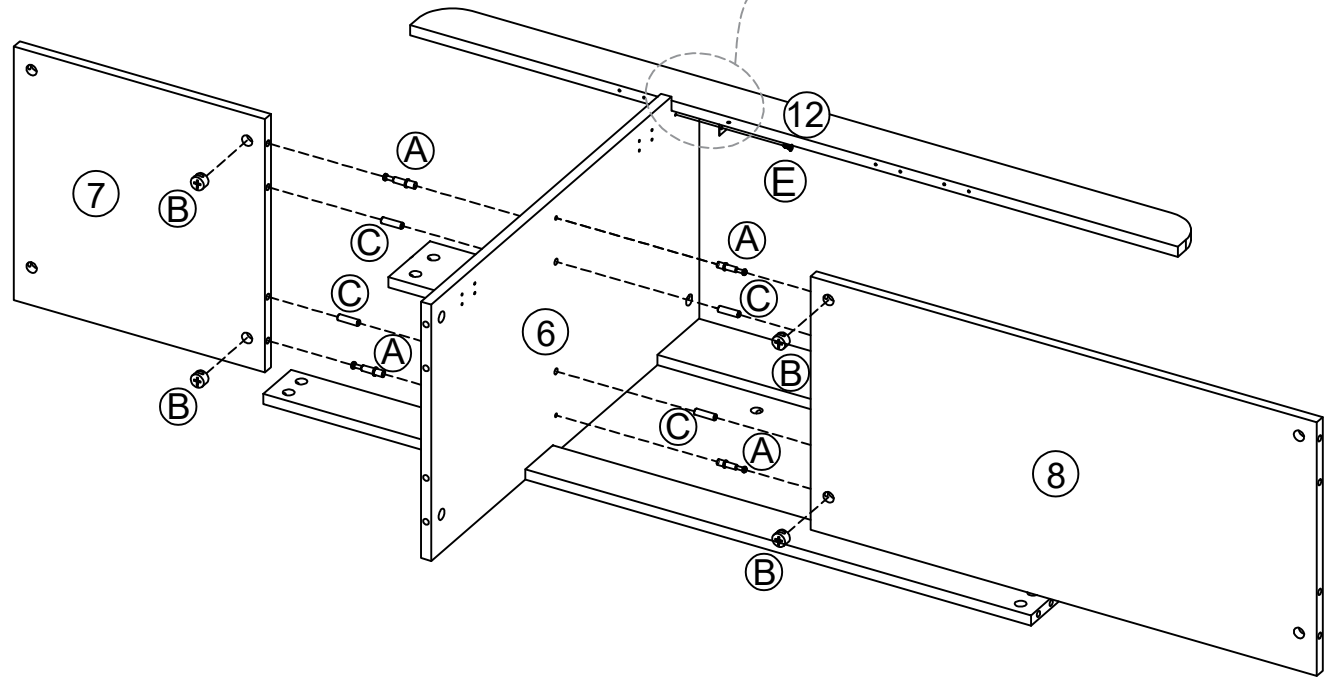
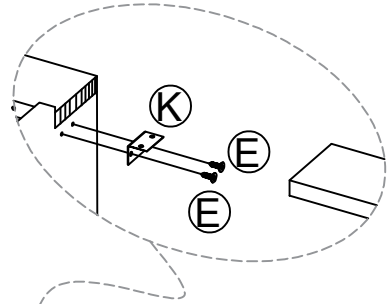
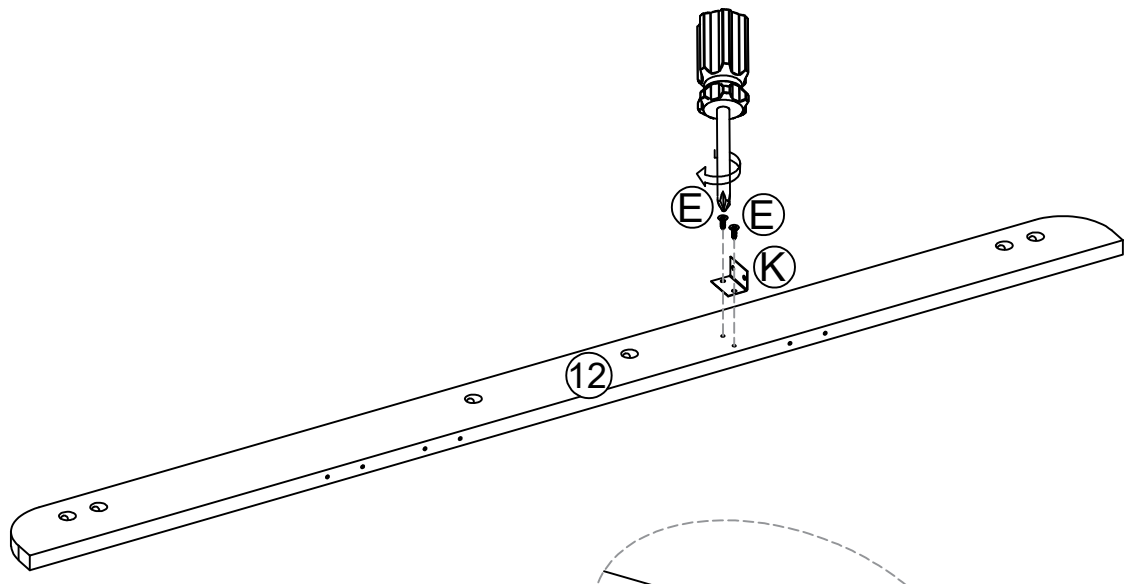
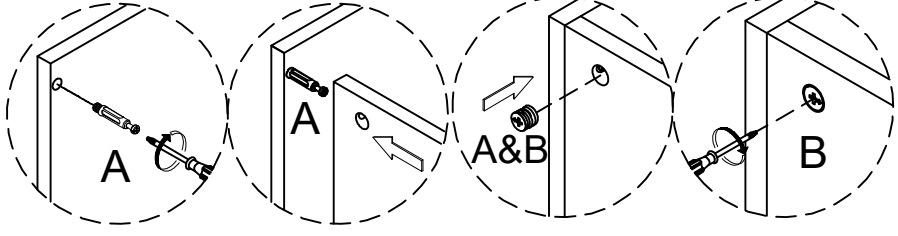
(A)  4X

(B)  4X

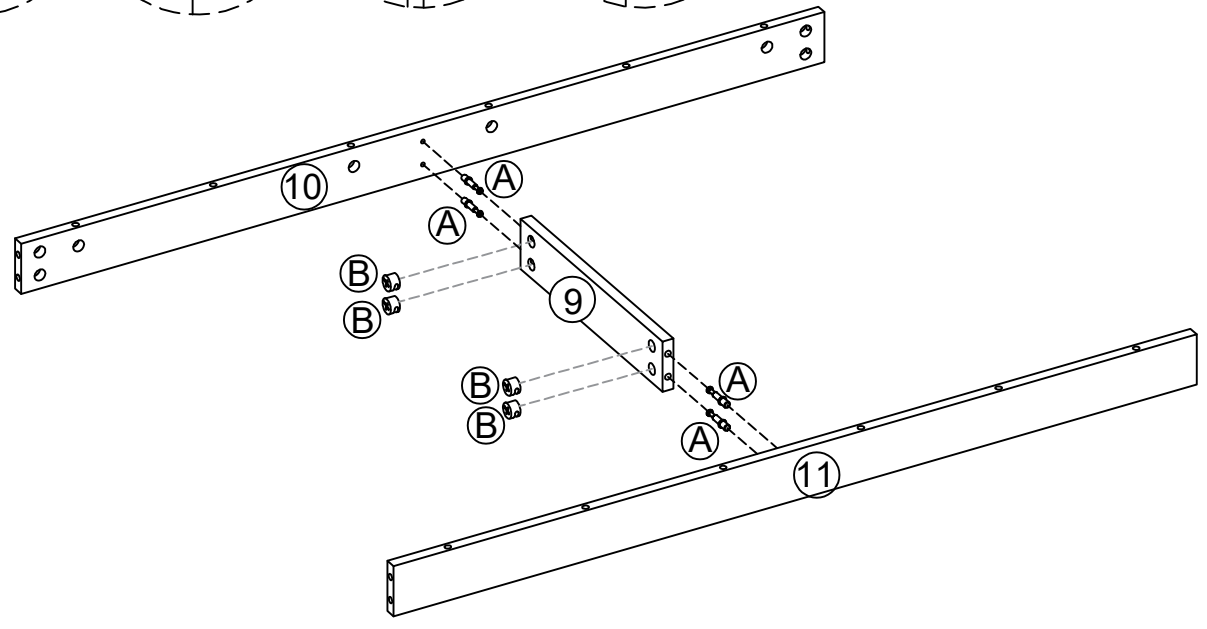
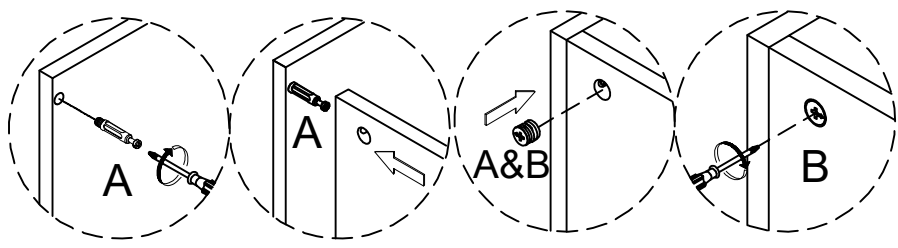
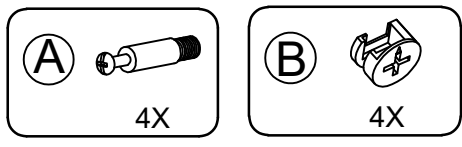
(C)  $\phi 8 \times 30\text{mm}$ 4X

(E)  $\phi 3.5 \times 12\text{mm}$ 4X

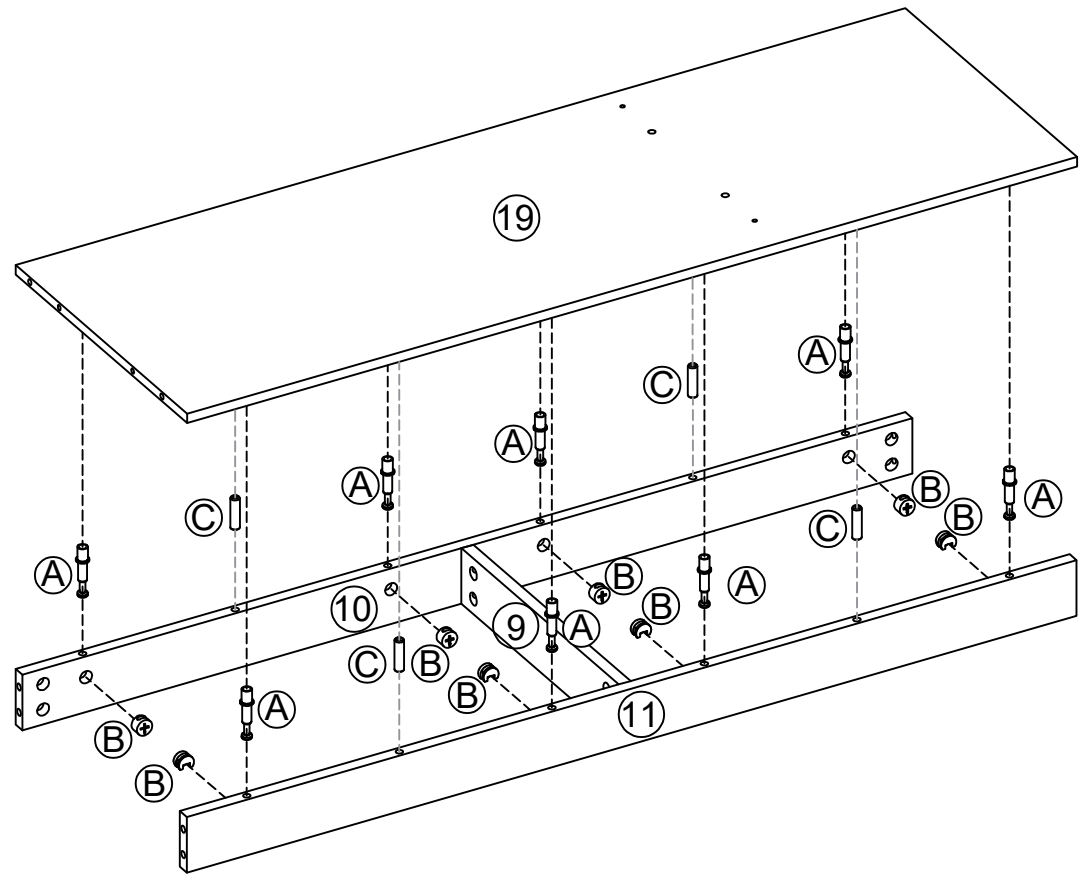
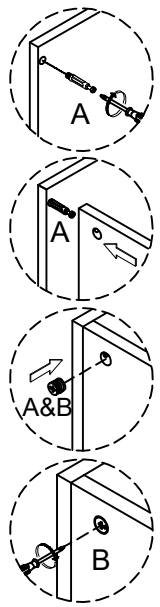
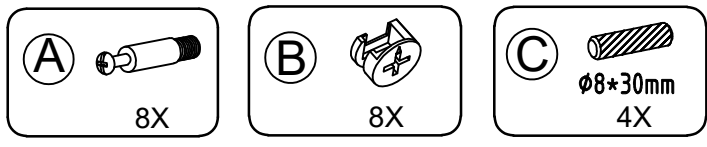
(K)  1X



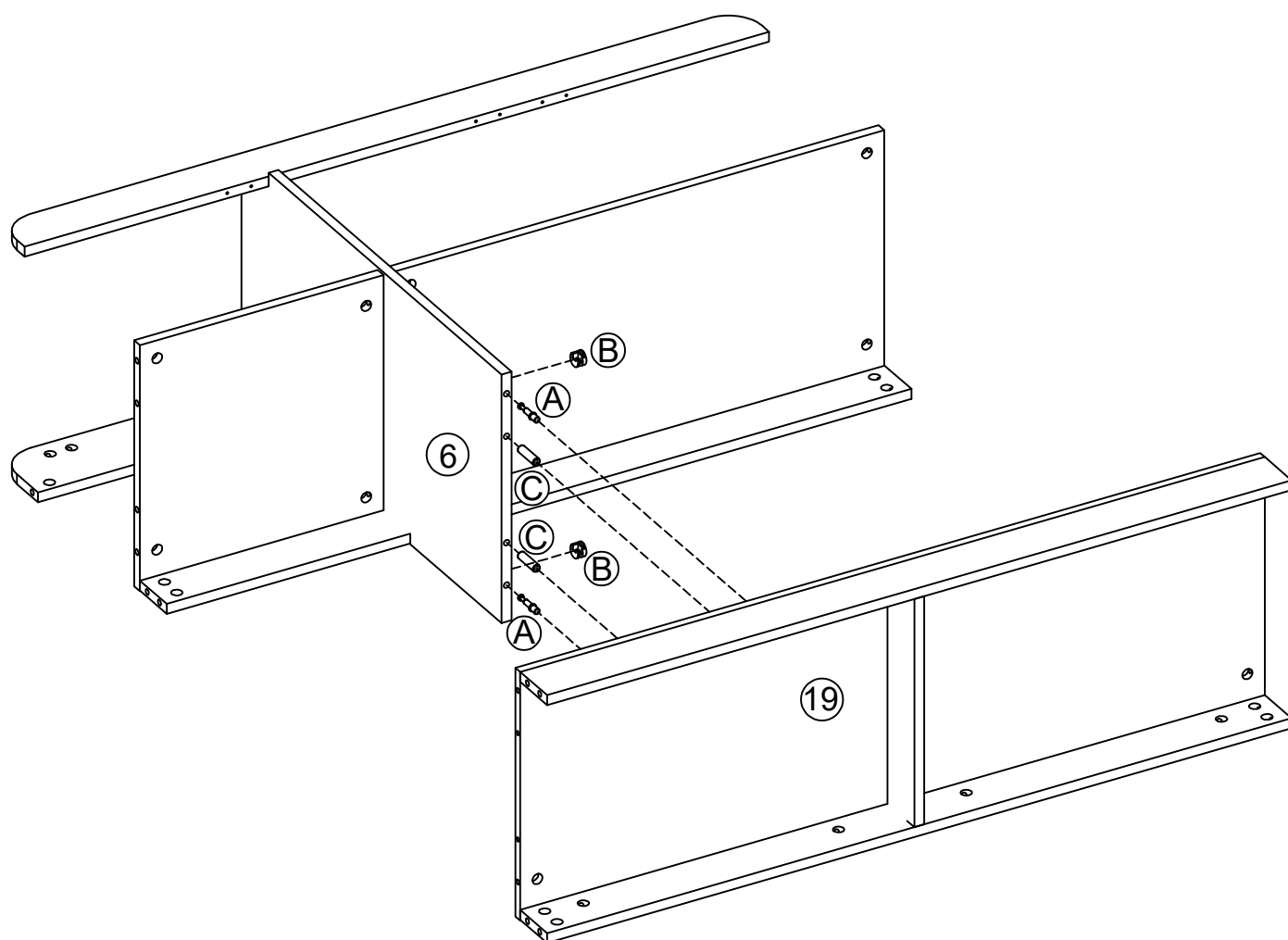
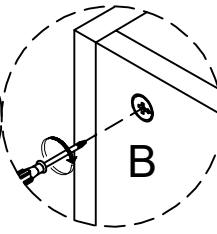
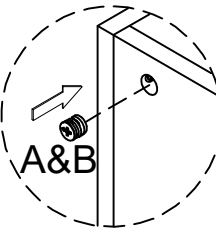
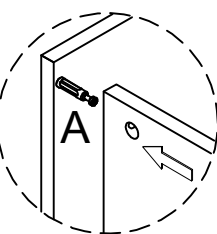
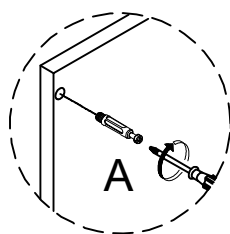
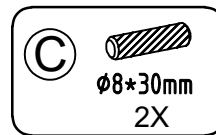
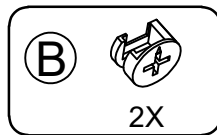
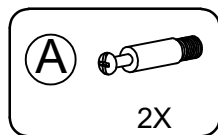
Step 3




Step 4





Step 5




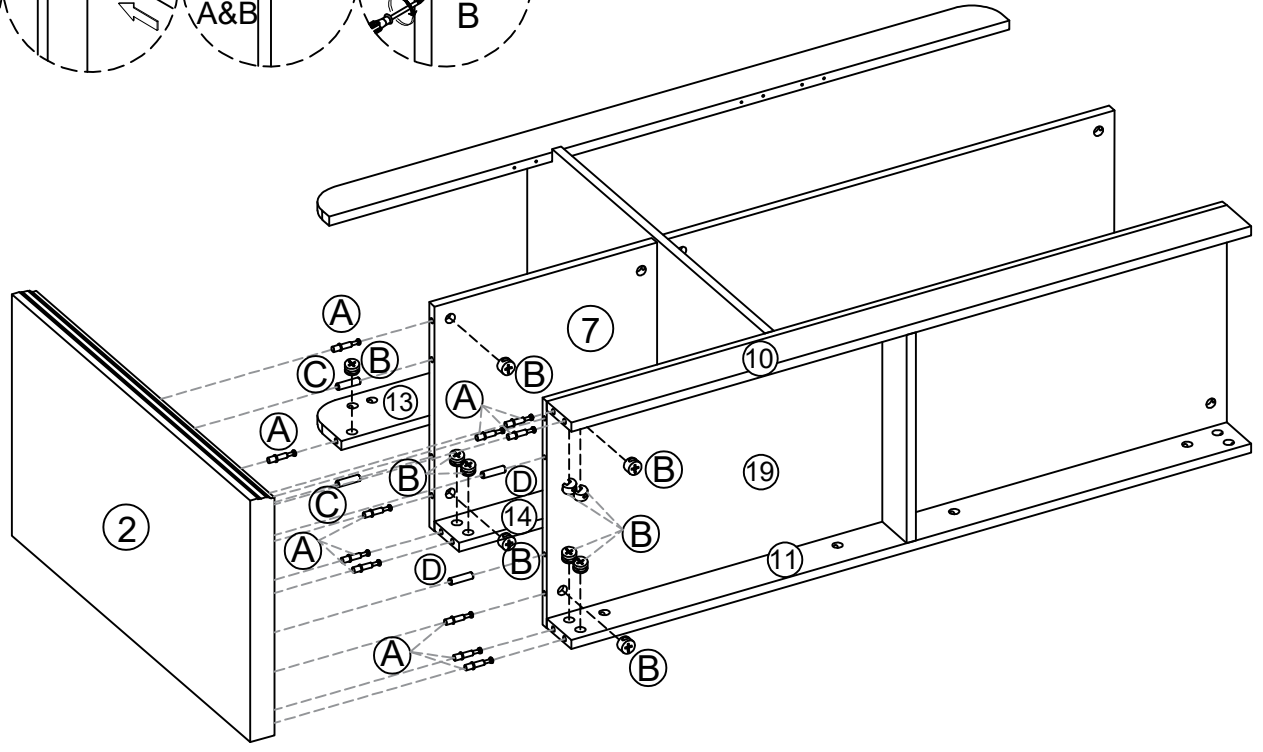
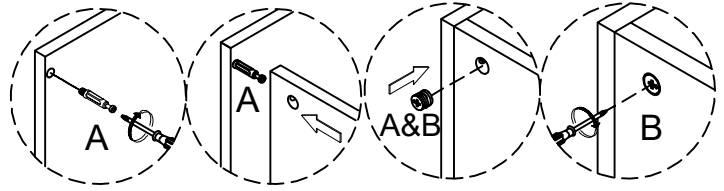
Step 6

(A)  11X


(B)  11X


(C)  $\varnothing 8 \times 30\text{mm}$ 2X


(D)  $\varnothing 6 \times 30\text{mm}$ 2X




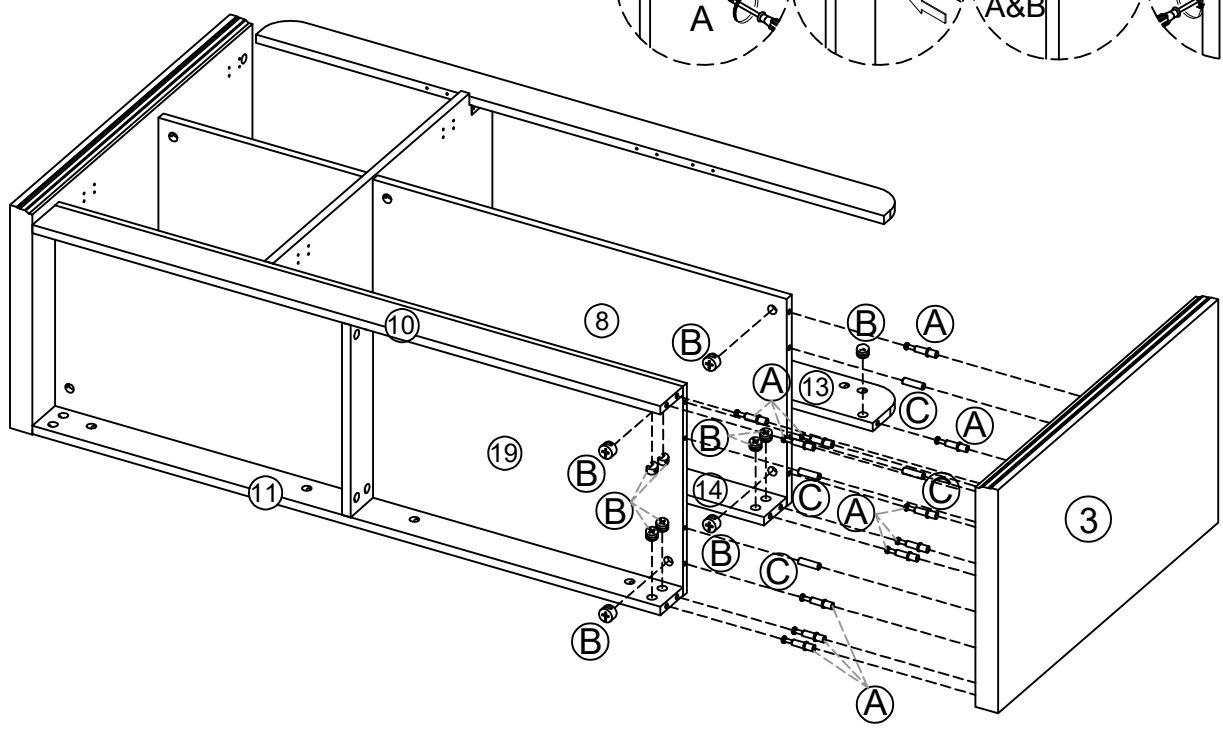
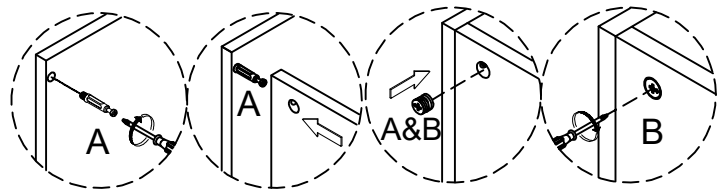
Step 7

(A)  11X


(B)  11X


(C)  $\varnothing 8 \times 30\text{mm}$ 2X


(D)  $\varnothing 6 \times 30\text{mm}$ 2X

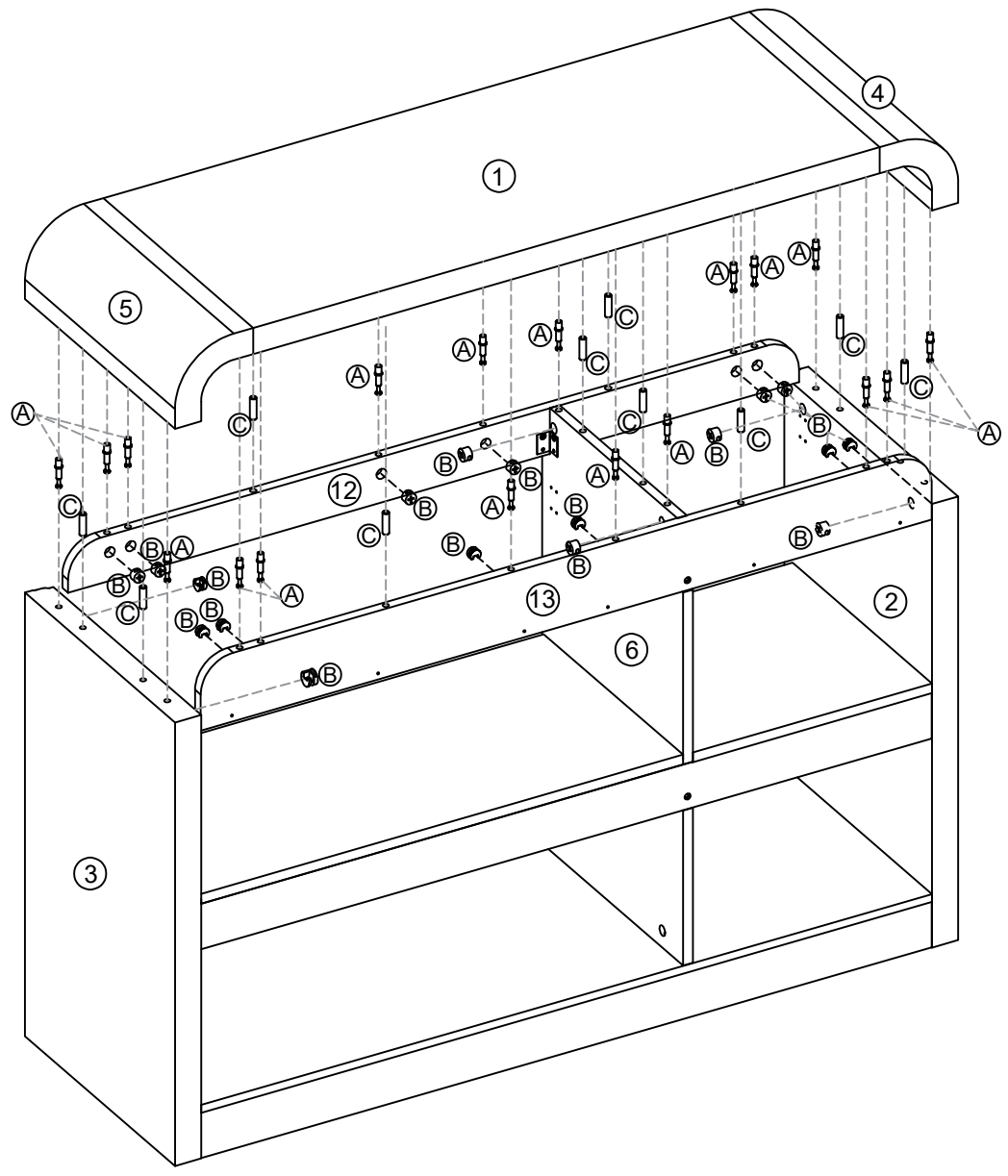
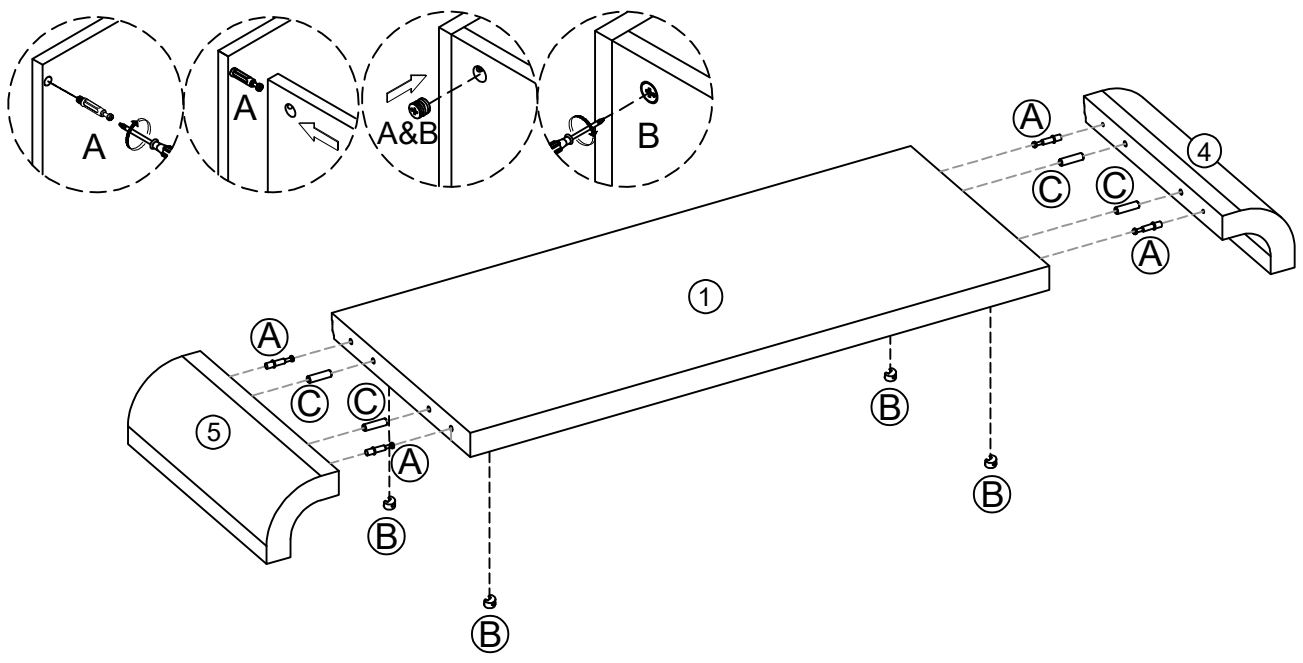


Step 8

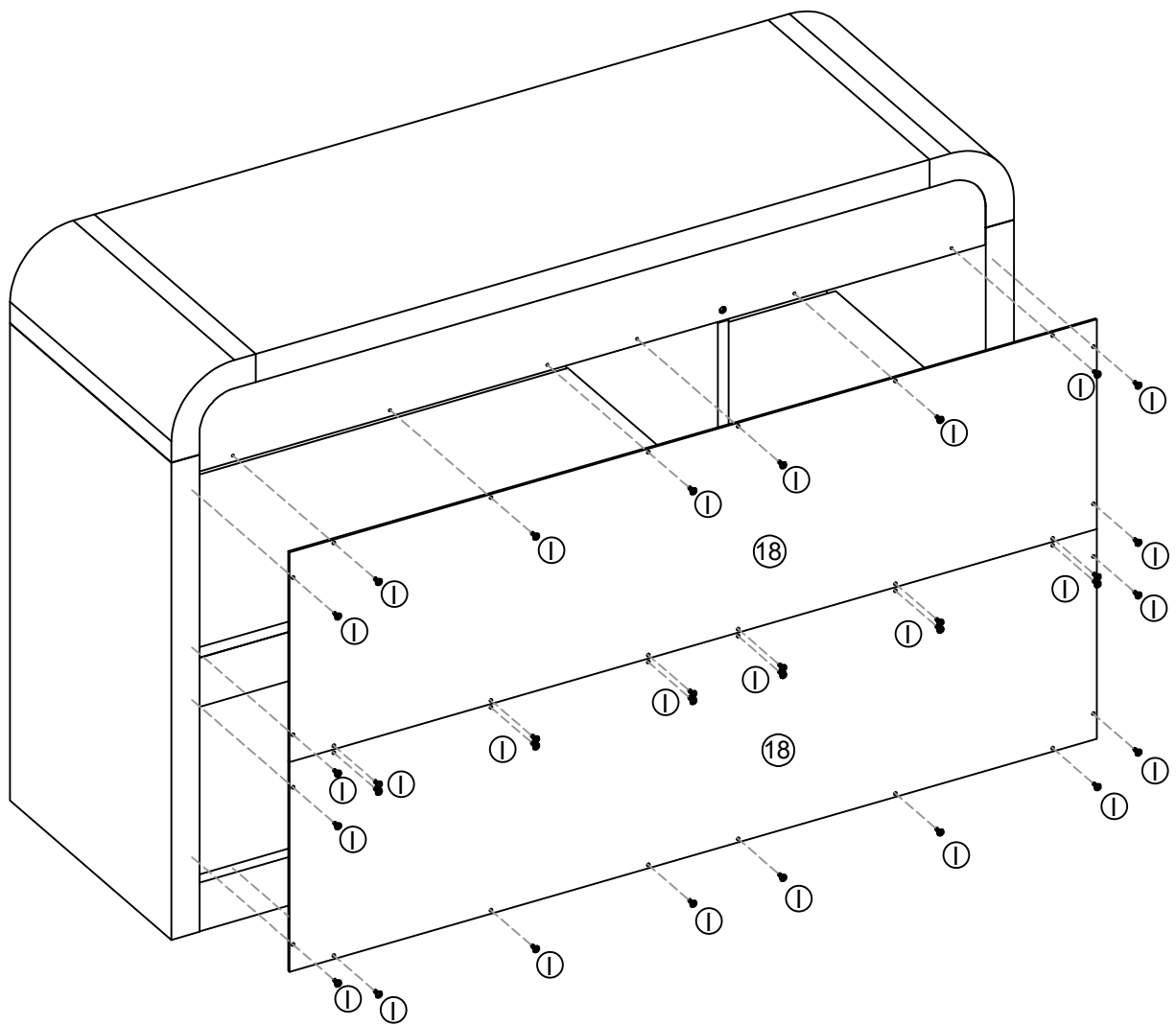
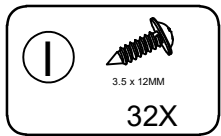
(A)  22X

(B)  22X

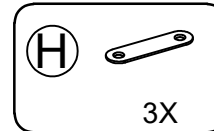
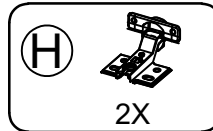
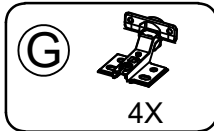
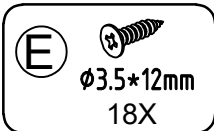
(C)  $\varnothing 8 \times 30\text{mm}$
14X



Step 9

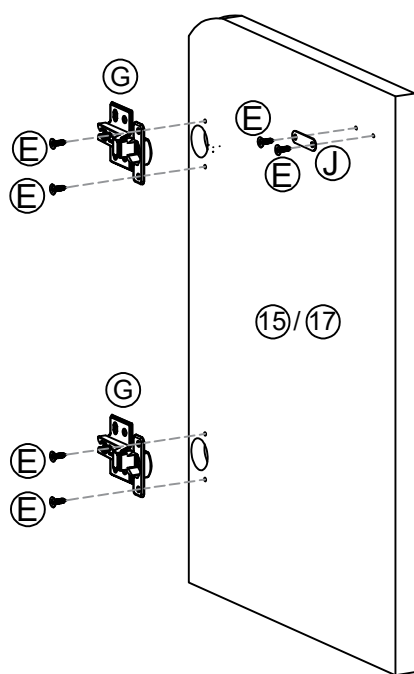


Step 10

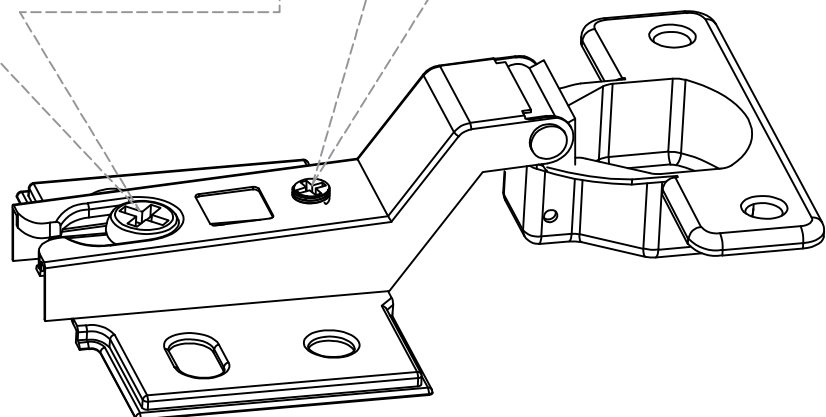


Clockwise rotation of the bolt increases the door hinge height; counterclockwise rotation of the bolt decreases the door hinge height.

Loosen the screw to adjust the length of the door hinge



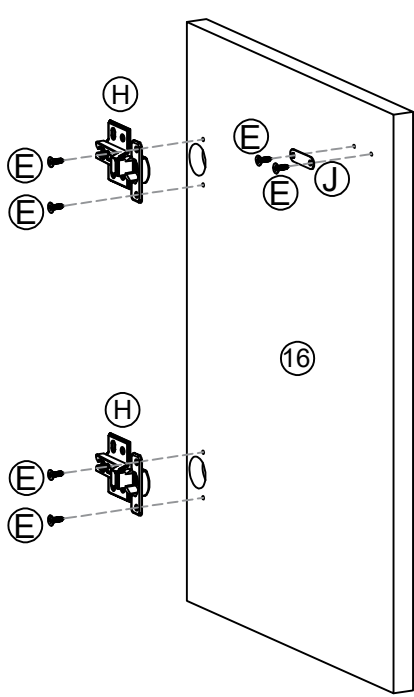
X2



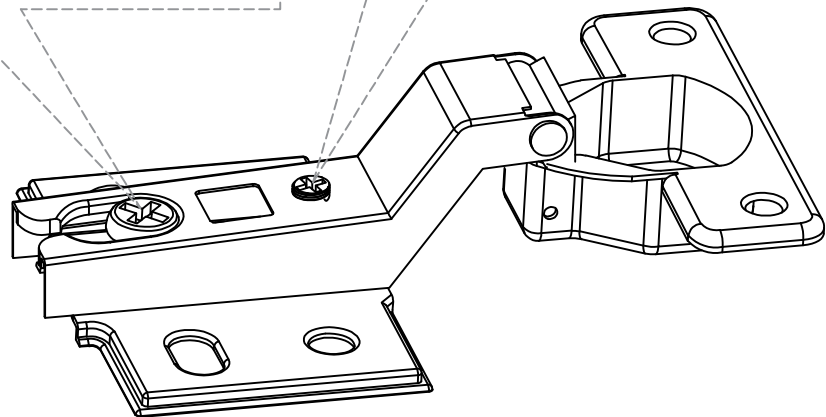
Hinge of big bend

Clockwise rotation of the bolt increases the door hinge height; counterclockwise rotation of the bolt decreases the door hinge height.

Loosen the screw to adjust the length of the door hinge




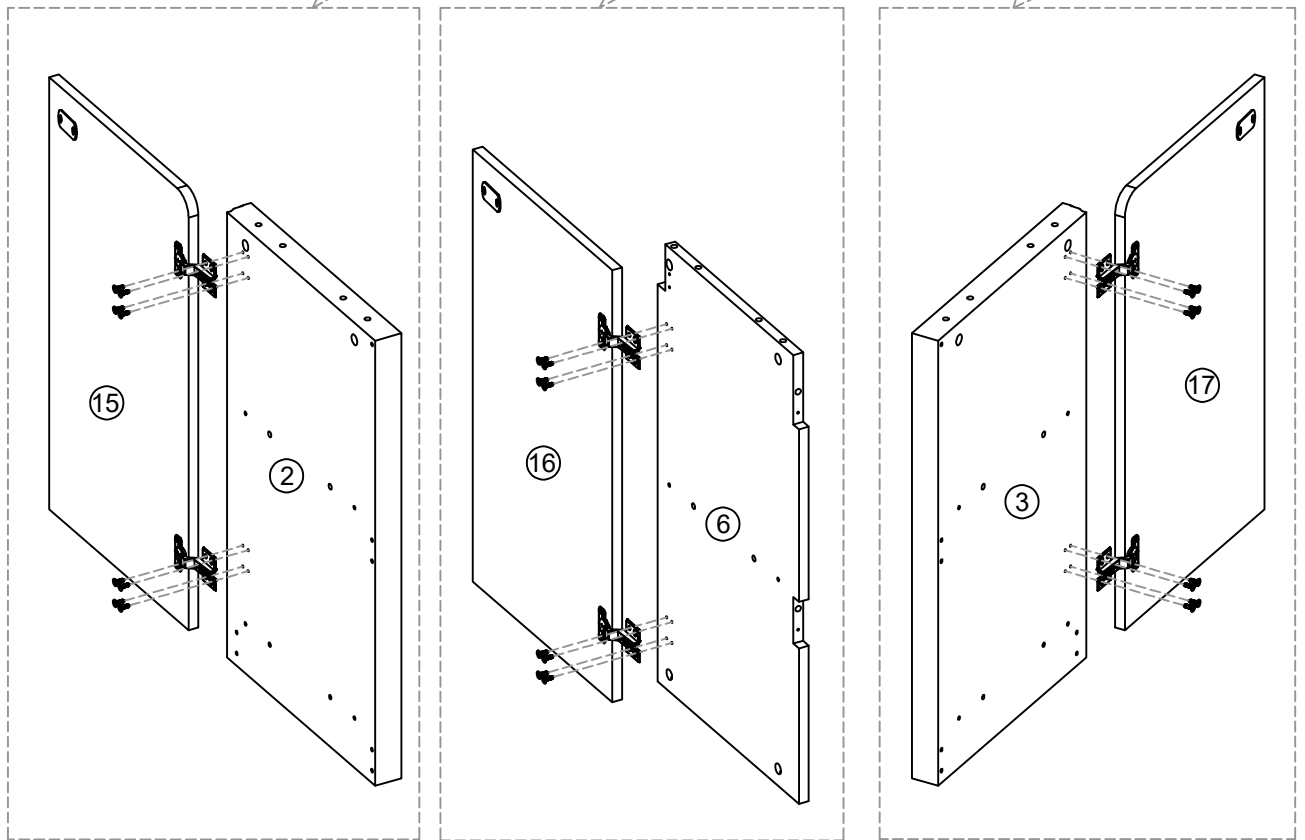
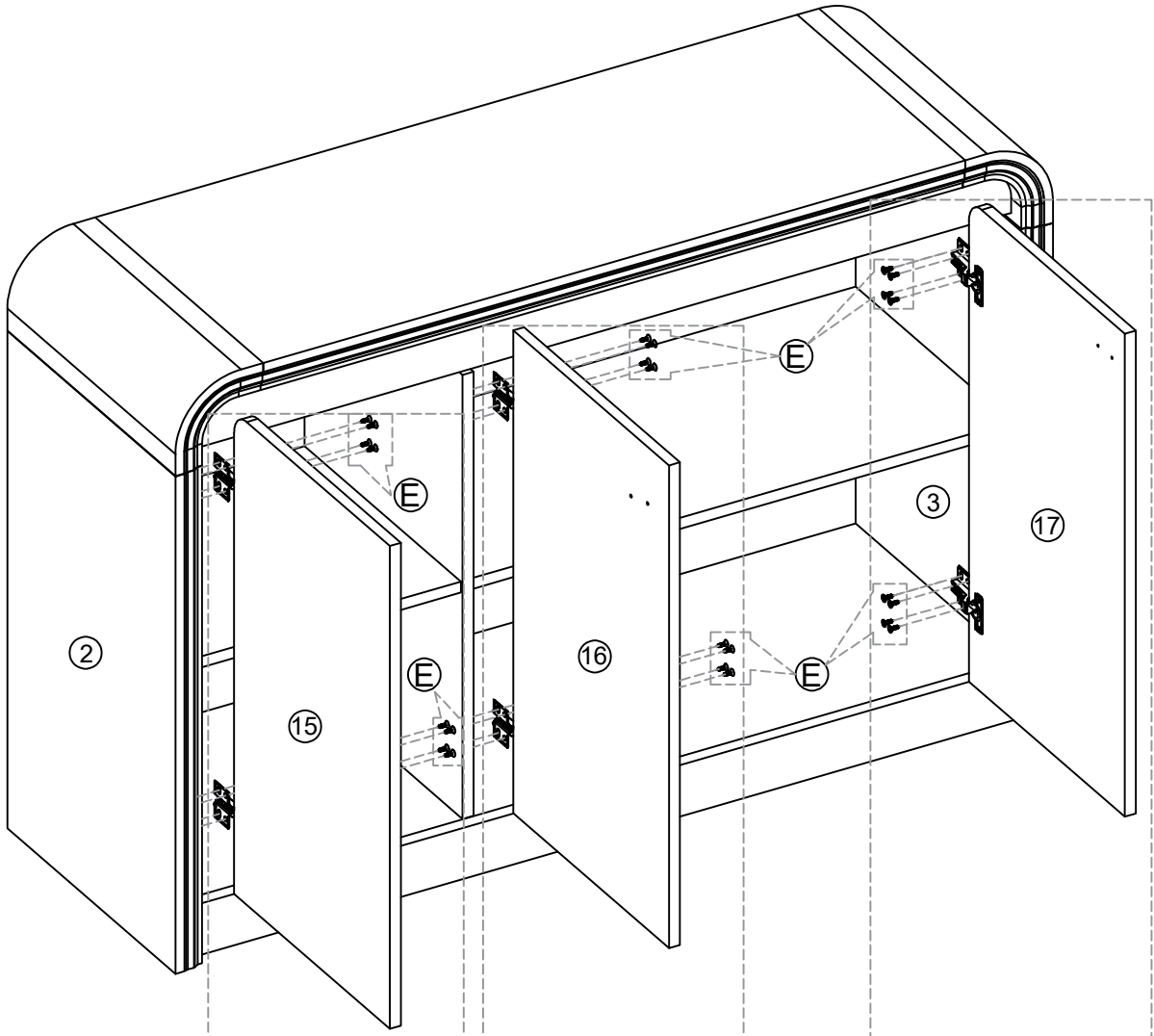
X1



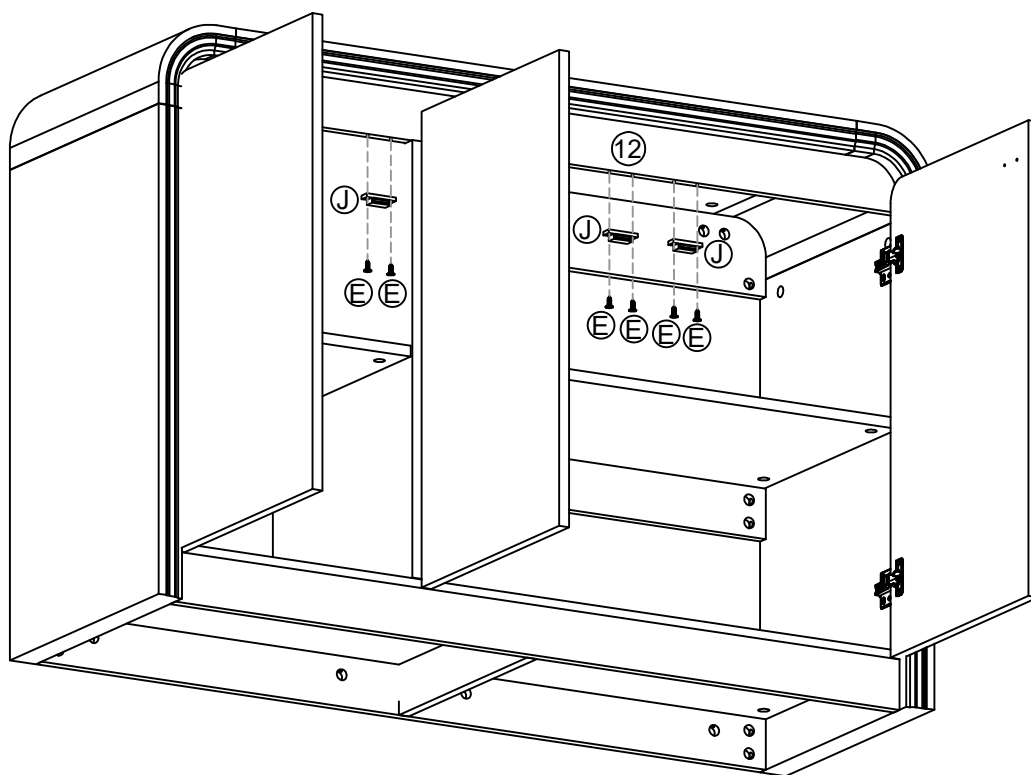
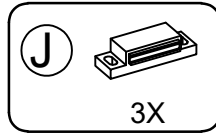
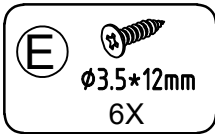
Hinge with a medium bend

Step 11

(E) 
Ø3.5*12mm
24X



Step 12



Step 13

