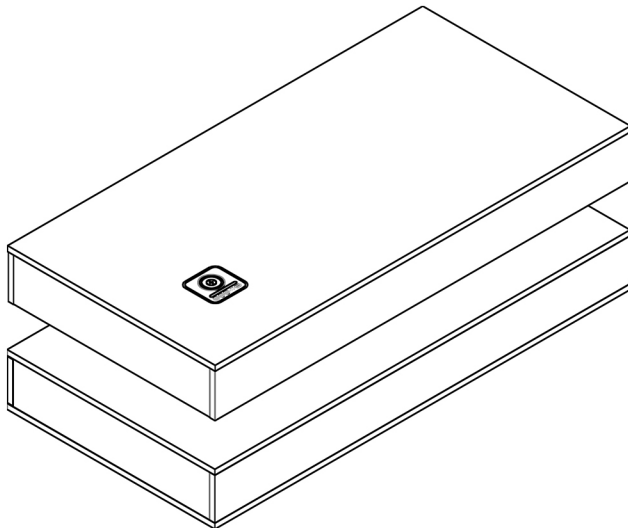
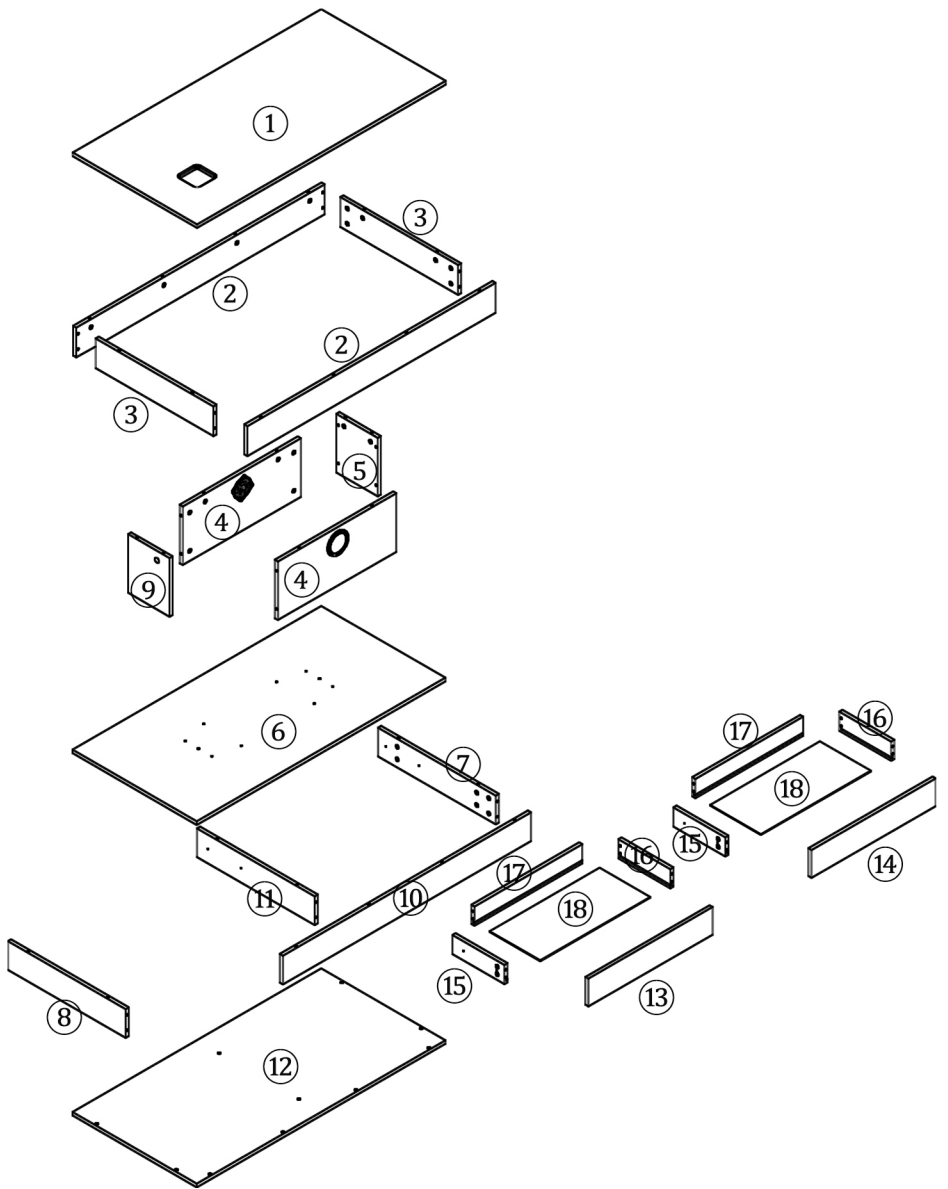


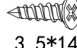


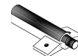








ASSEMBLY INSTRUCTION

- Please follow the instructions to assemble the items correctly.
- Please ensure the safety of the glass when assembling.
- Do not make the screws too loose or too tight.
- As shown in the figure, Insert the screw into the hole.
The arrow in the picture, Then rotate 90° or 180° clockwise.
- The accessory bag contains some small accessories, which should be kept away from children.
- The remaining parts are spare parts.
- Warm reminder white backboard please install the white side inward
- The operating instruction of RGB light is included in the package , please read it carefully when assembling



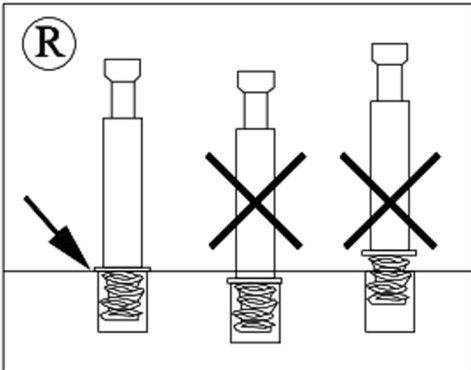
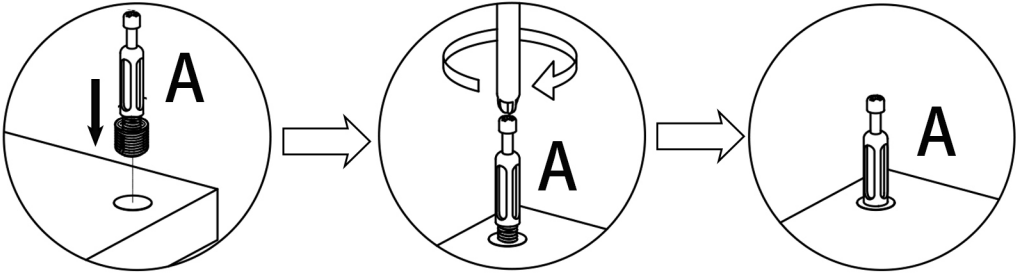


A  78pcs	B  78pcs	C  3.5*14 20pcs	C3  4*40 8pcs	E  8*40 2pcs	H  2pcs	K  4pcs	AC  8pcs	AG  1pcs
AM  Decorative paper 10pcs	BF  1pcs	BC1  1pcs						



Hardware installation demonstration

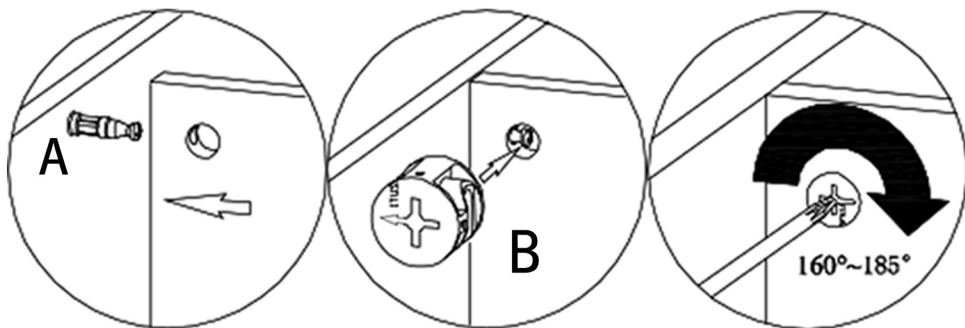
● Please make sure "A" hardware tightened and can't be pulled out





Hardware installation demonstration

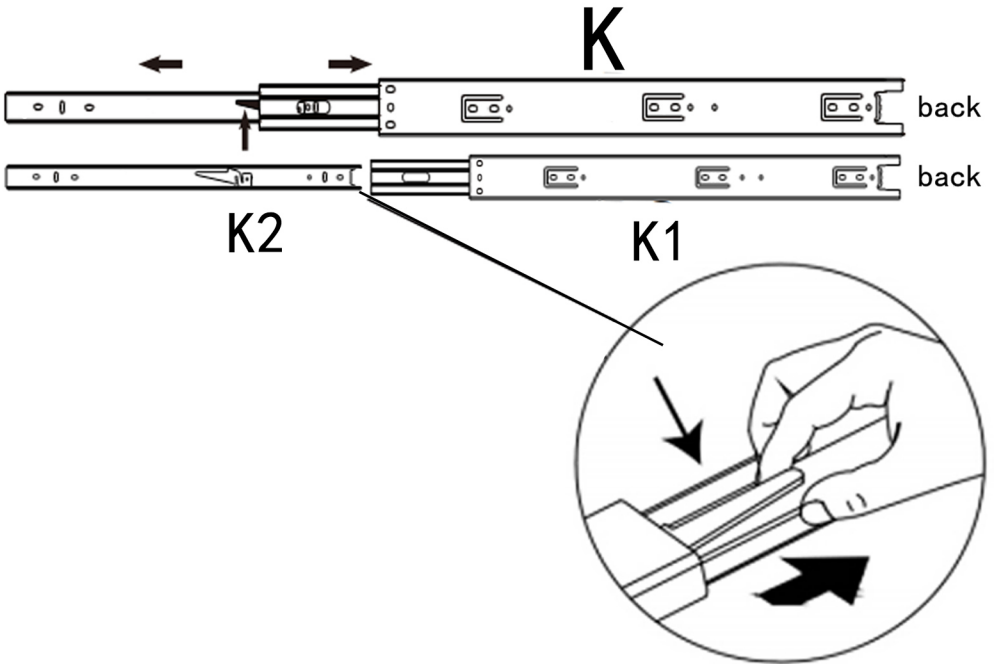
- When inserting cam ensure arrowhead on cam points toward to the hole on the panel edge





Hardware installation demonstration

- Before installing the drawer rail, you need to separate the K1 and K2 first.



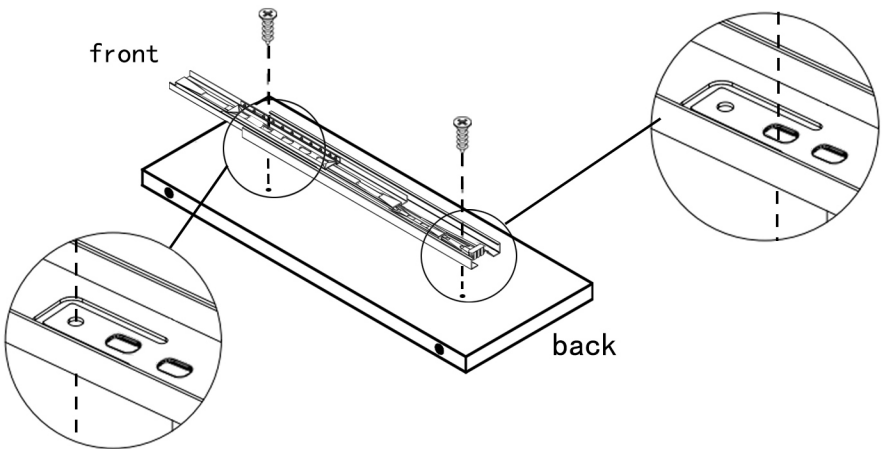
Warm Reminder: Press it and split



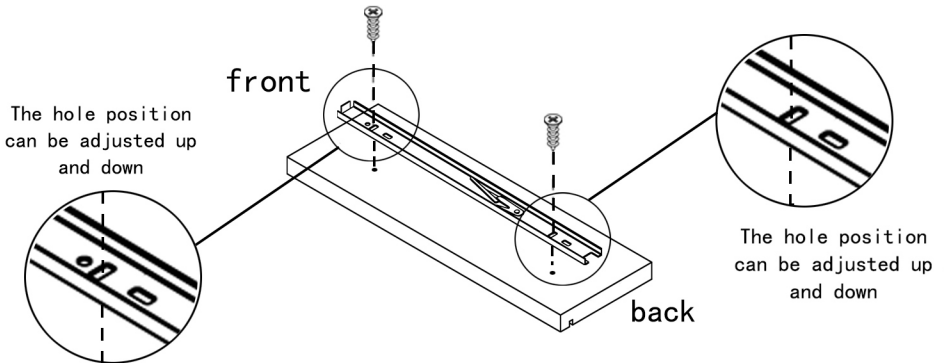
Hardware installation demonstration



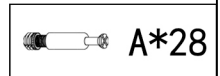
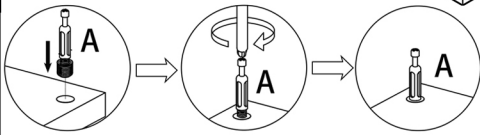
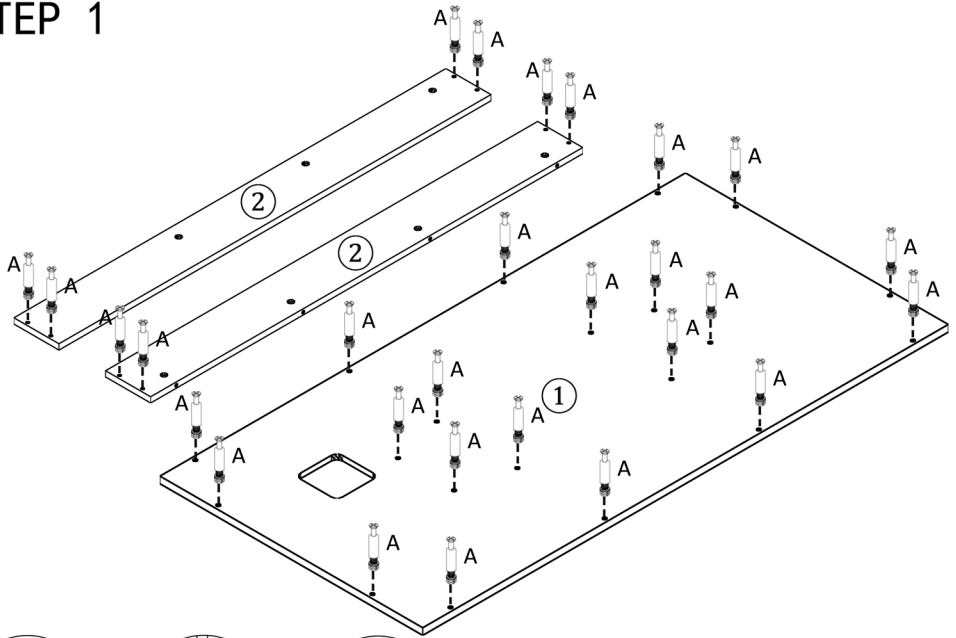
The first screw hole should corresponded with the board location hole



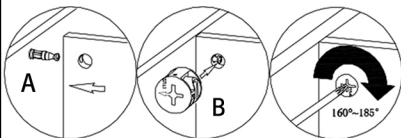
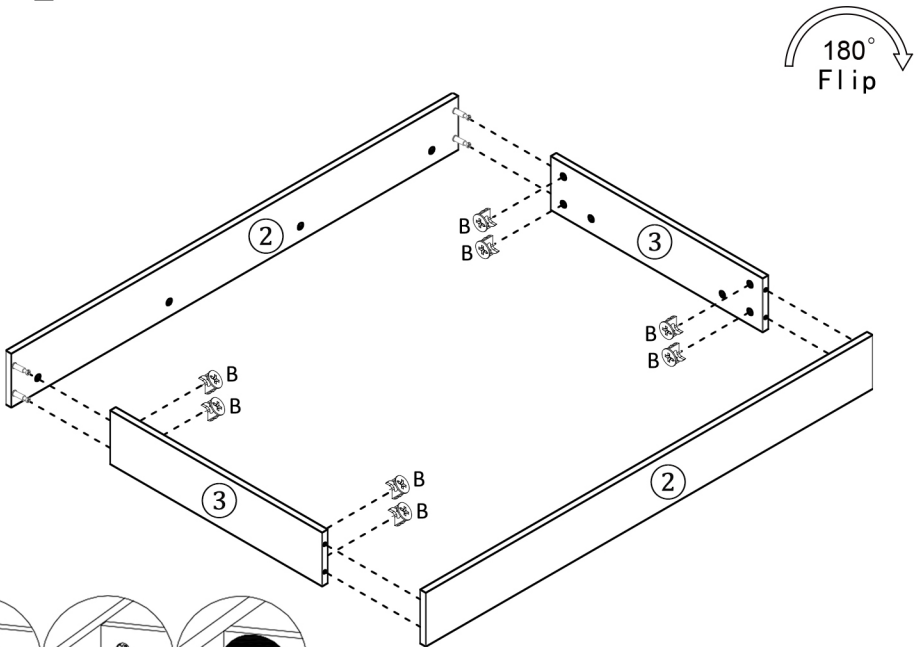
The first screw hole should corresponded with the board location hole



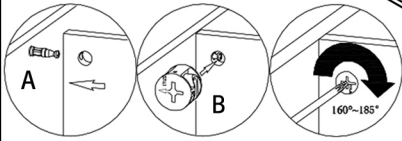
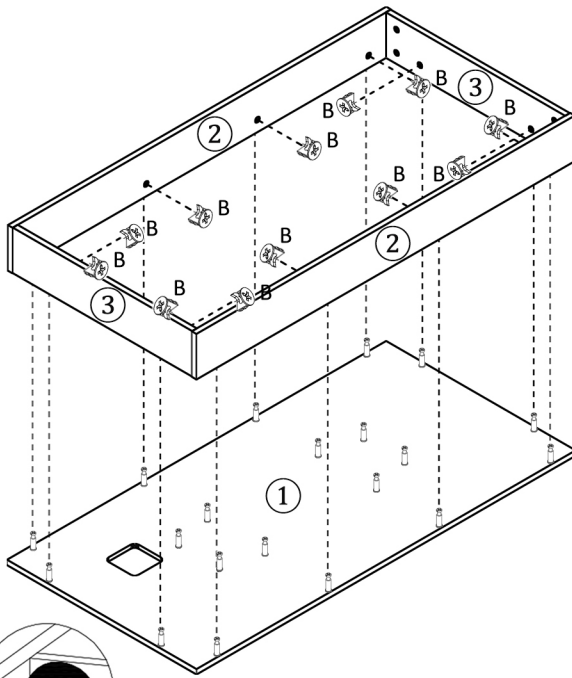
STEP 1



STEP 2



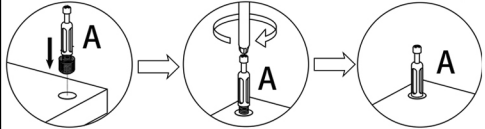
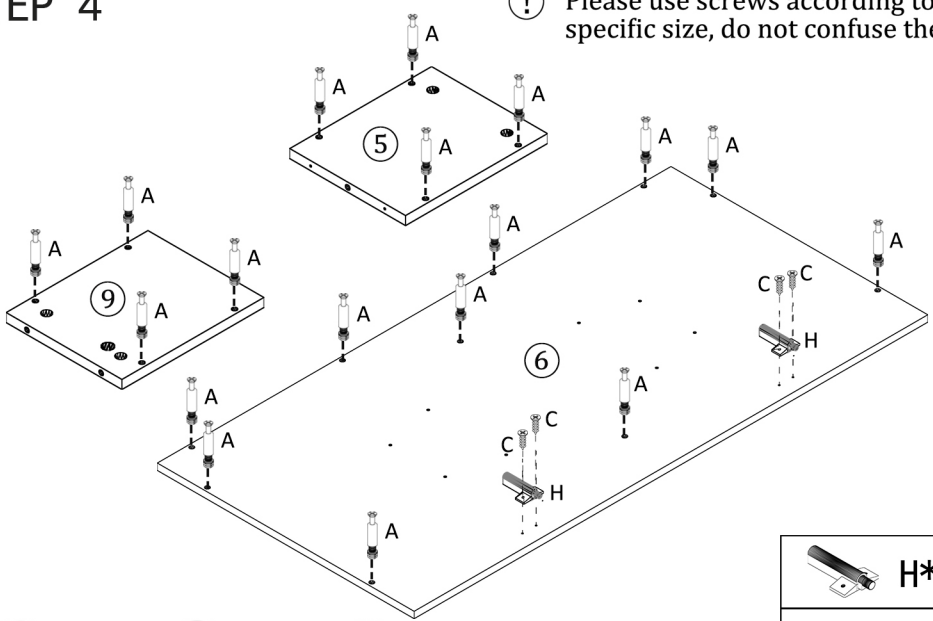
STEP 3






 B*12

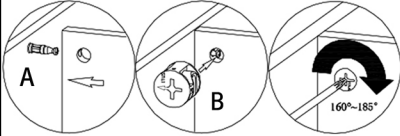
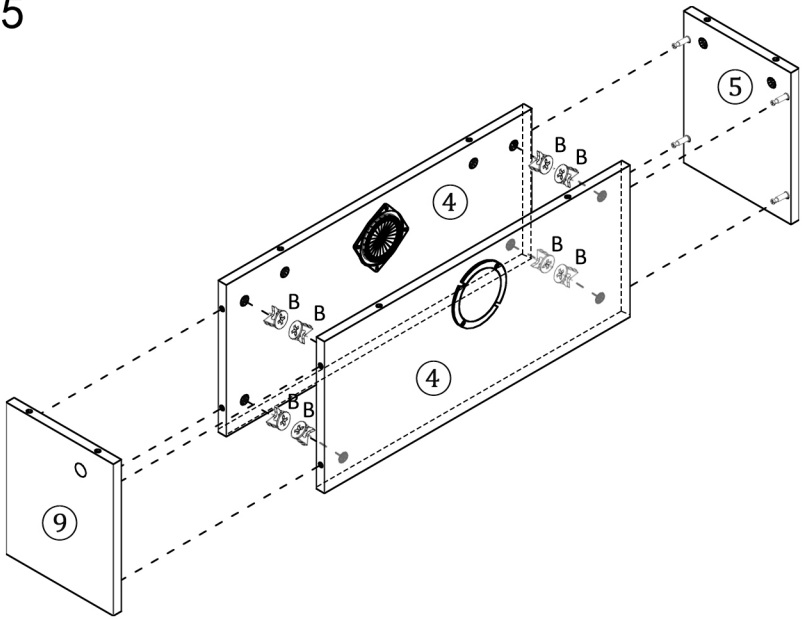
STEP 4

⚠ Please use screws according to the specific size, do not confuse them.



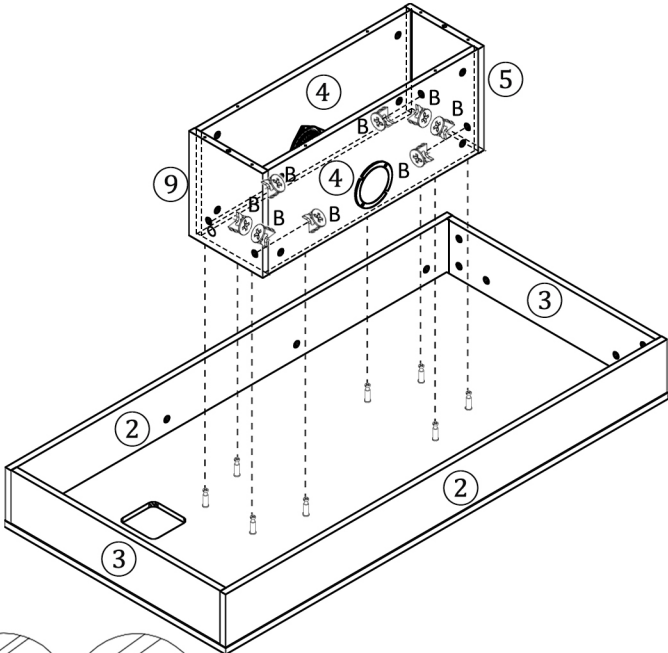
 H*2
 C*4
 A*18


STEP 5

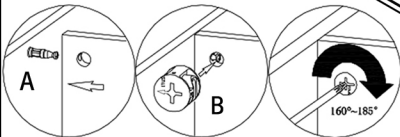


 B*8

STEP 6



 180°
Flip



 B*8

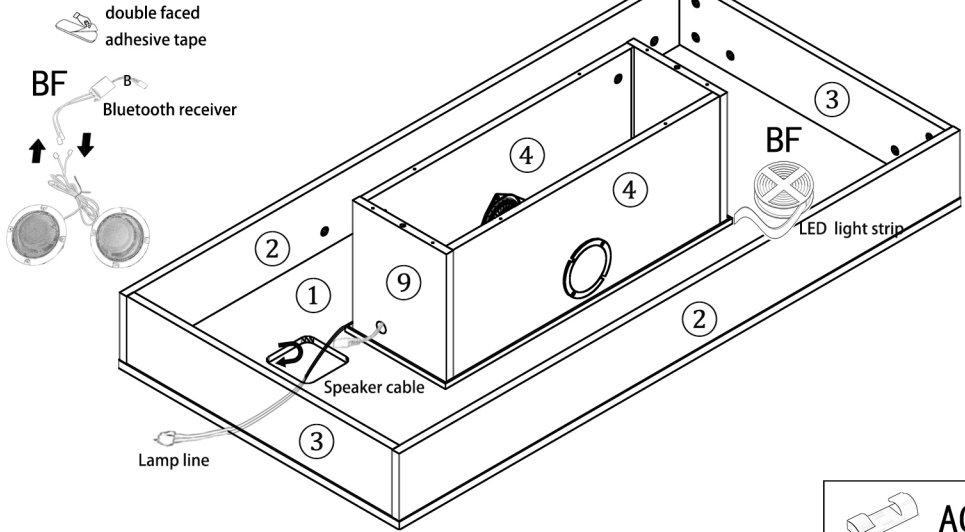
STEP 7

1. Please paste the LED strip on the board in a circle
2. Pull the LED strip interface through the No. 1 board

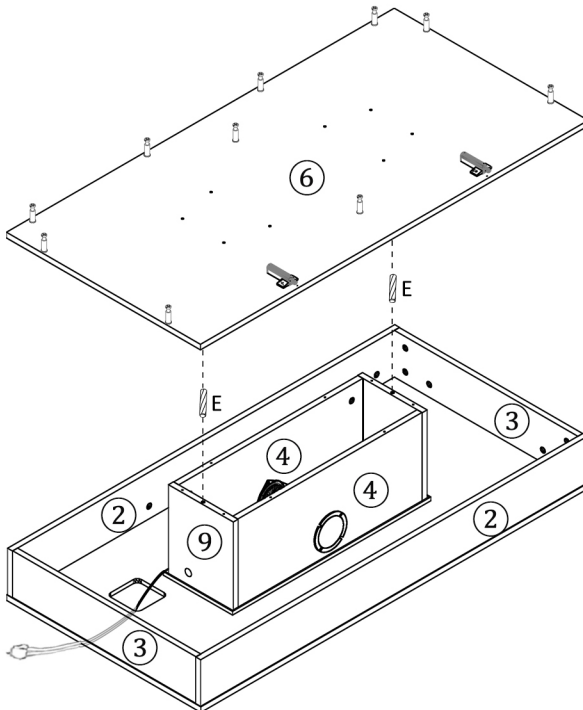
⚠ please peel off the film when use it
Fix the cable with cable organizer



Attach the Bluetooth receiver to a suitable location using double-sided tape.

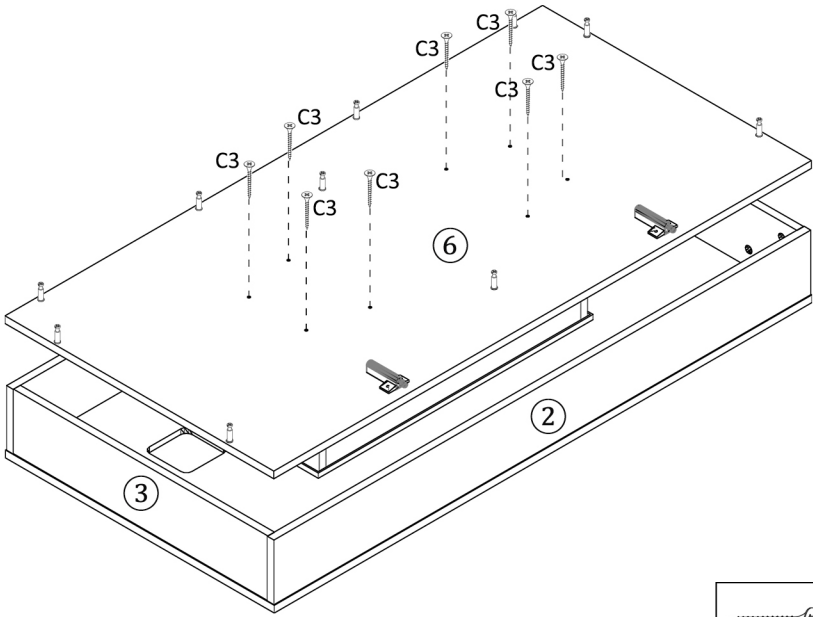


STEP 8



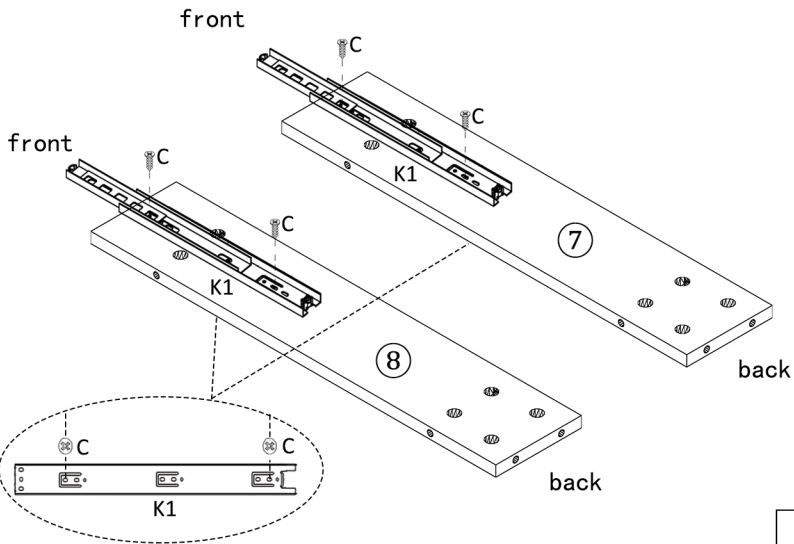
STEP 9

⚠ Please use screws according to the specific size, do not confuse them.

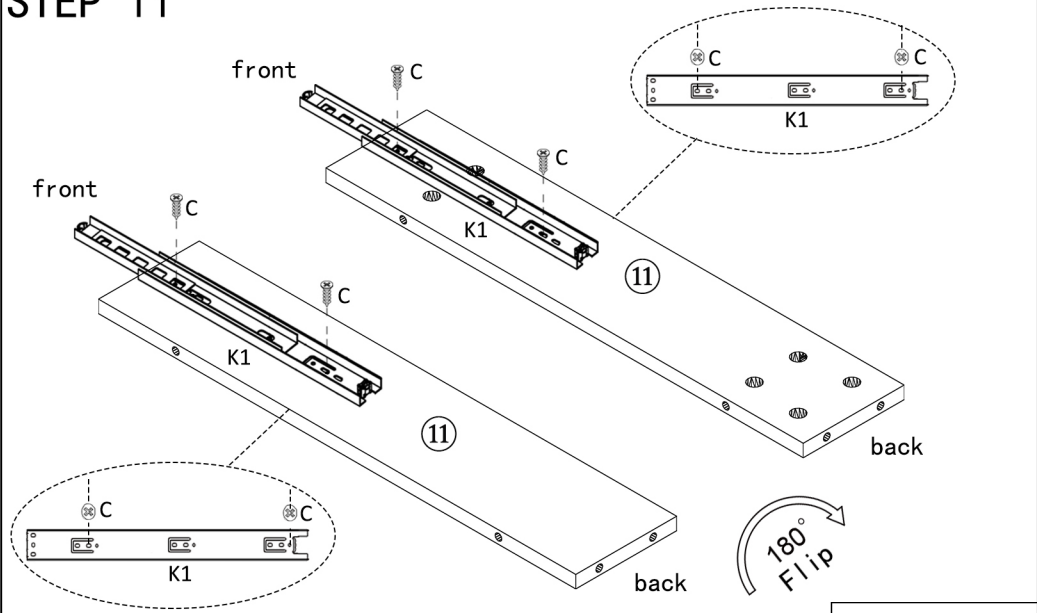




STEP 10

⚠ Please use screws according to the specific size, do not confuse them.



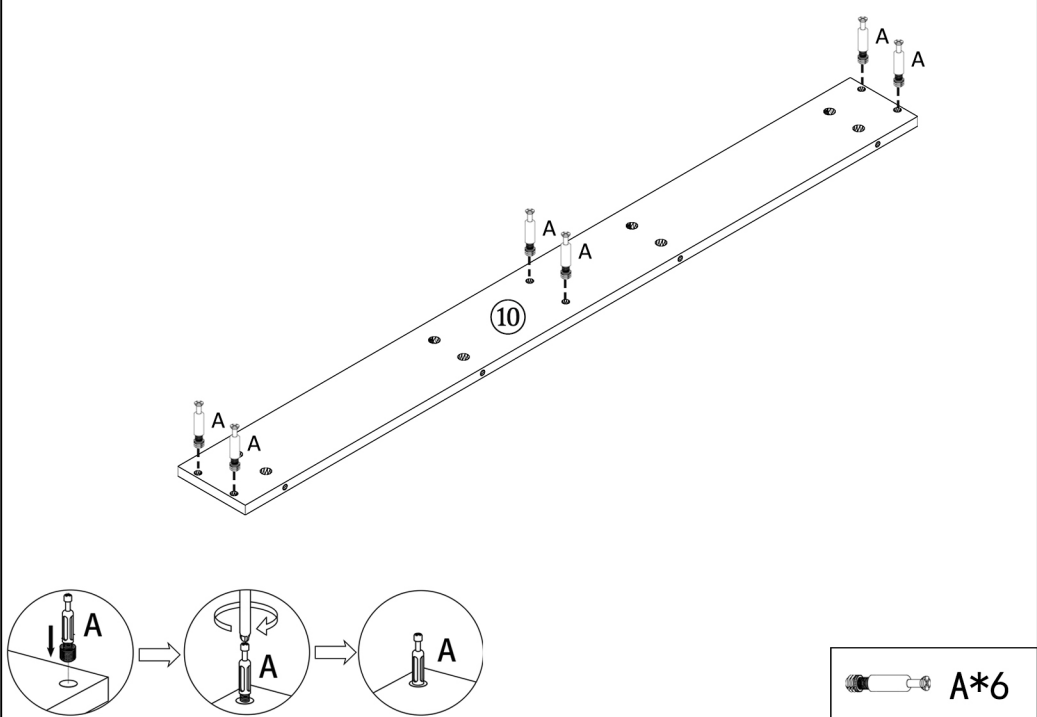
STEP 11




	C*4
	K1*2

Notice: that the positioning holes of the slide rails on board #11 are different

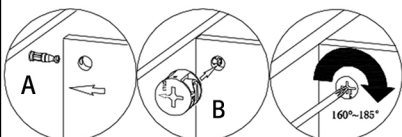
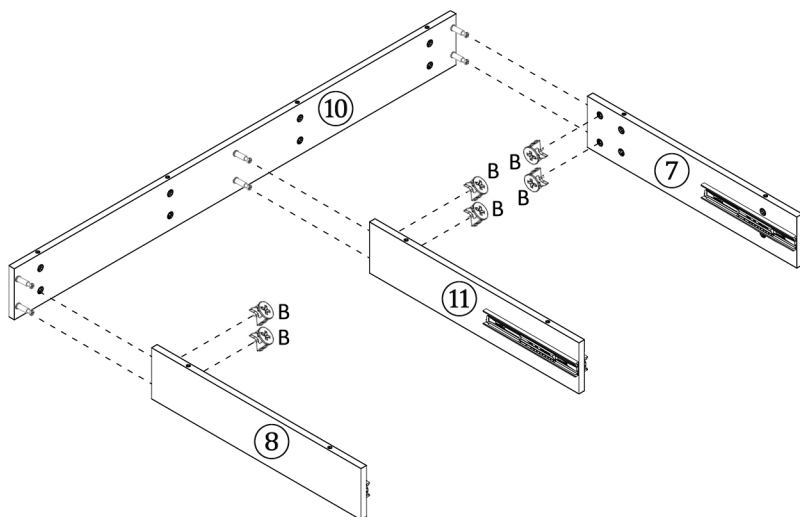
STEP 12



	A*6
---	------------

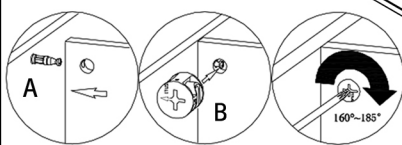
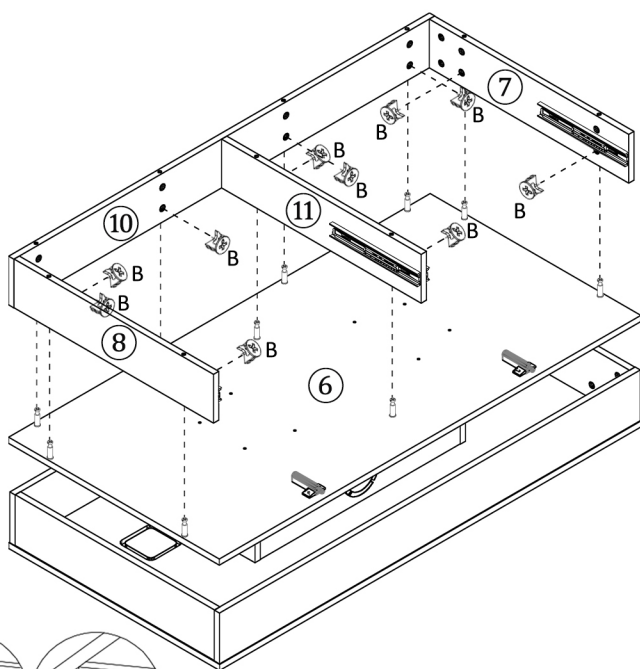
STEP 13

180°
Flip



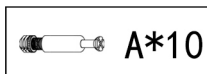
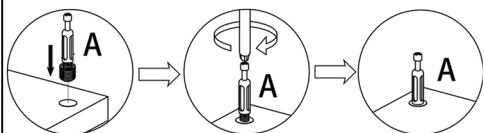
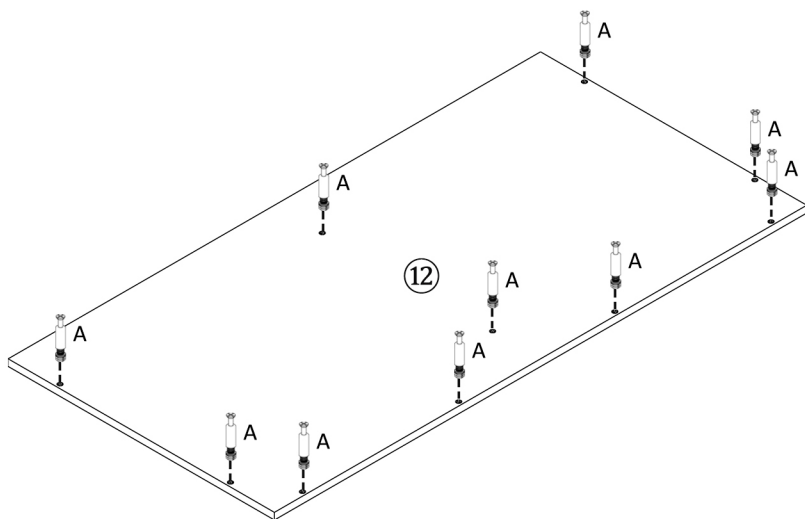
 B*6

STEP 14

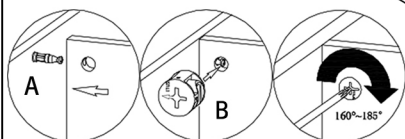
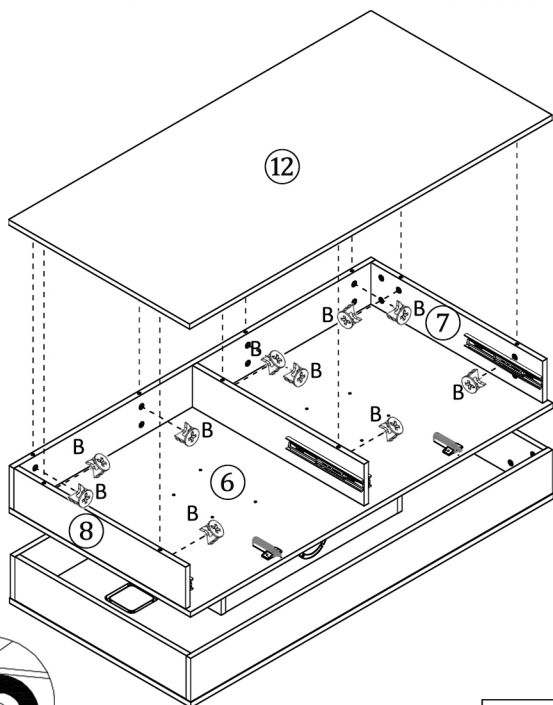


 B*10

STEP 15



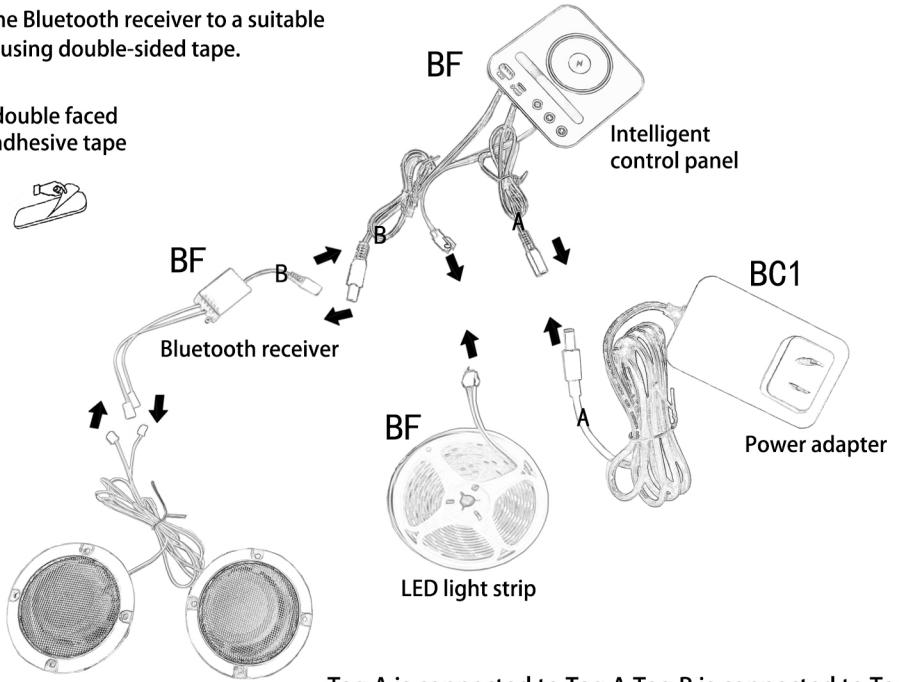
STEP 16



STEP 17 Installation diagram of electronic accessories

Attach the Bluetooth receiver to a suitable location using double-sided tape.

double faced adhesive tape



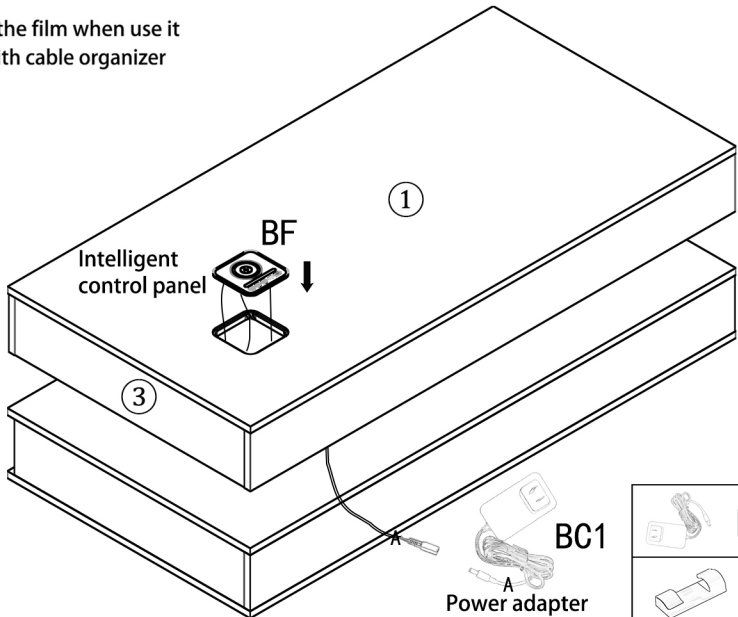
Tag A is connected to Tag A, Tag B is connected to Tag B.

STEP 18

Follow Step 17 to connect the horn cable to the lamp cable

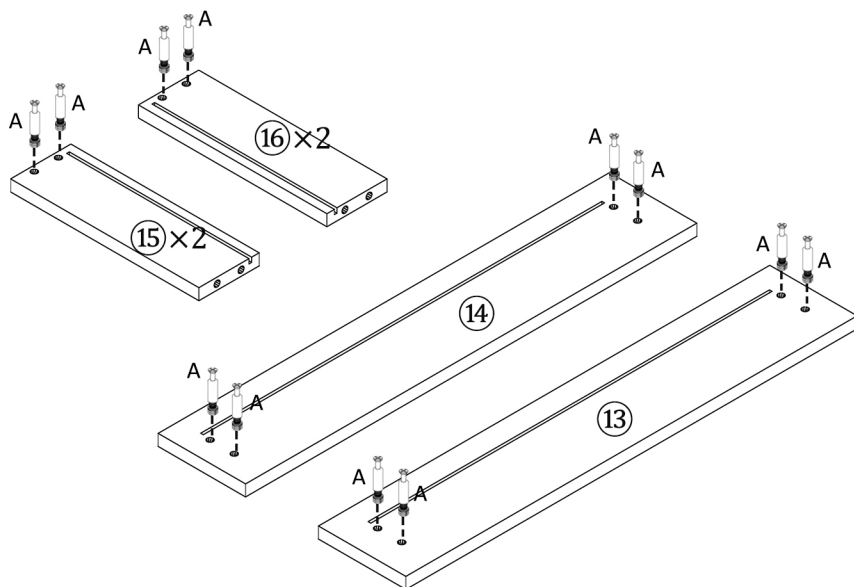


- ⚠ please peel off the film when use it
- Fix the cable with cable organizer



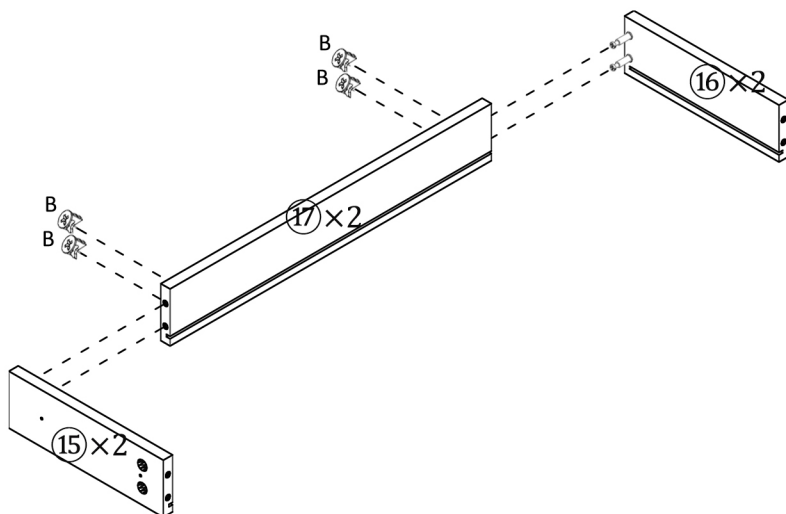
	BC1*1
	AC*4

STEP 19



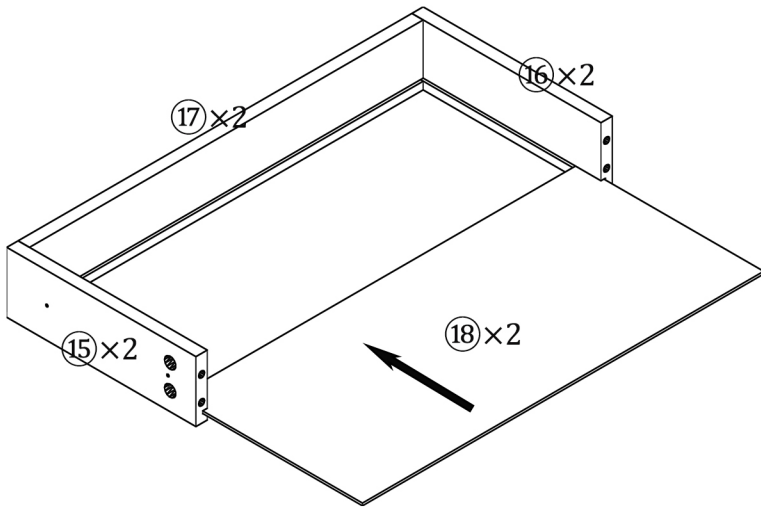
$A \times 16$

STEP 20

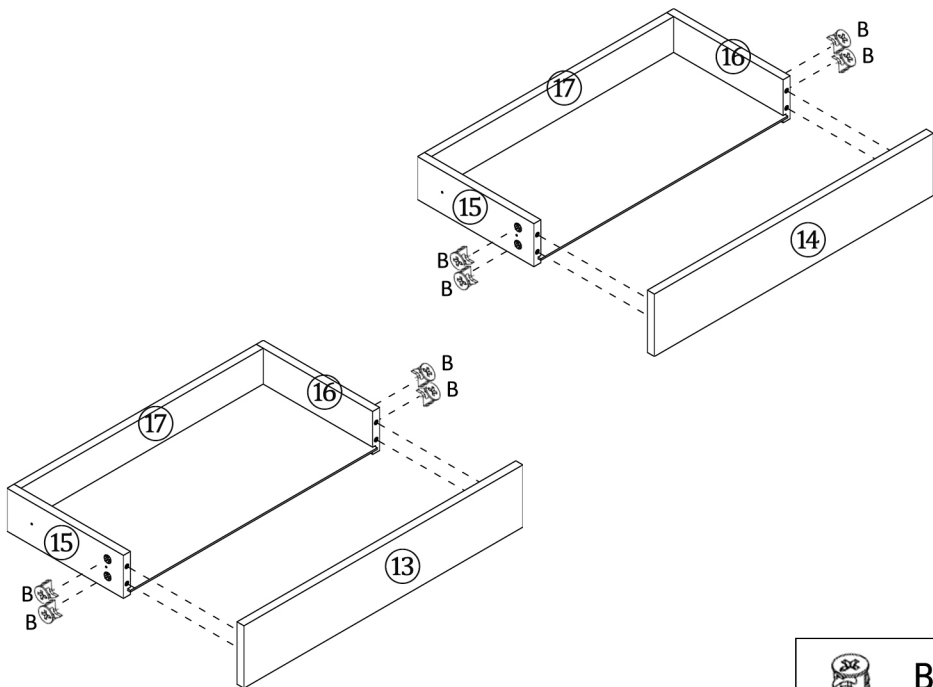


$B \times 8$

STEP 21

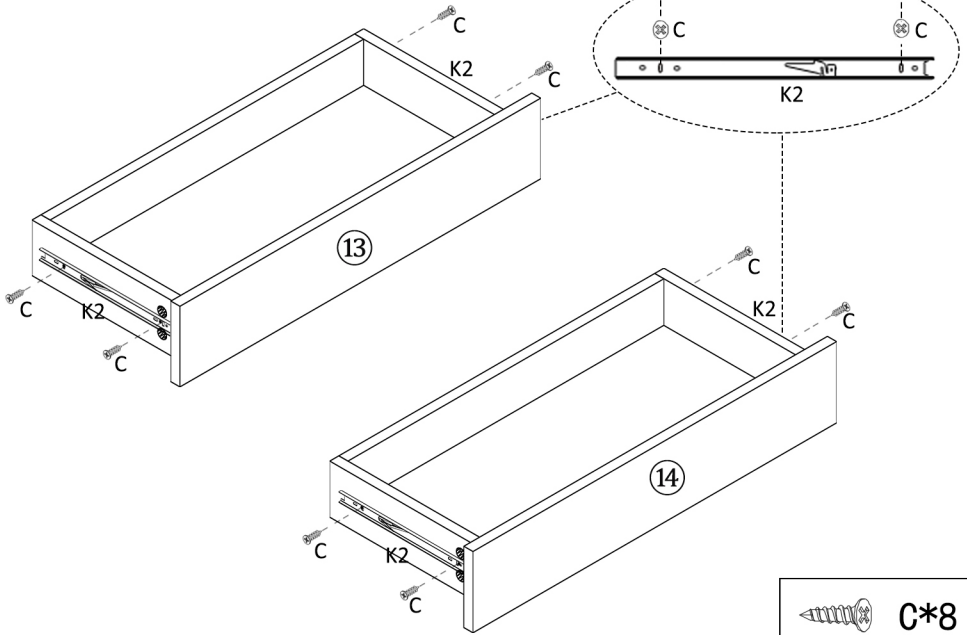


STEP 22



B*8

STEP 23



⚠ Please use screws according to the specific size, do not confuse them.

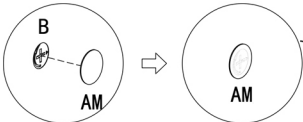
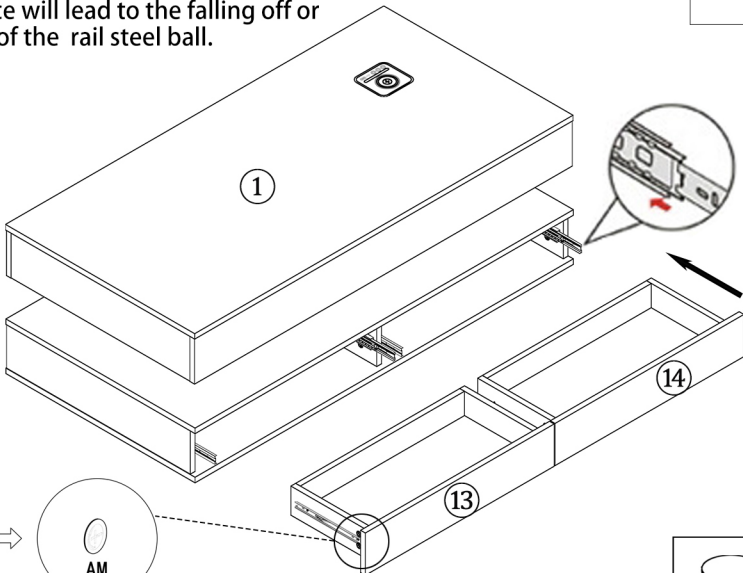
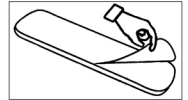
 C*8

 K2*4

STEP 24

Note: When assembling the inner slide rail, it is necessary to place the inner slide rail on the steel ball component first, and push the inner rail parallel to the outer rail together. Direct violence will lead to the falling off or deformation of the rail steel ball.

For the high gloss panel, please peel off the plastic film after assembling



 AM*10
Decorative paper