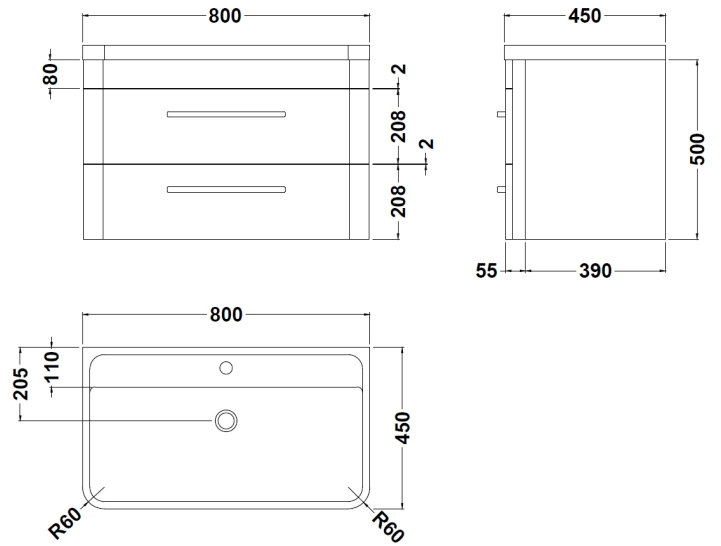


# CUSTOMER DATA SHEET

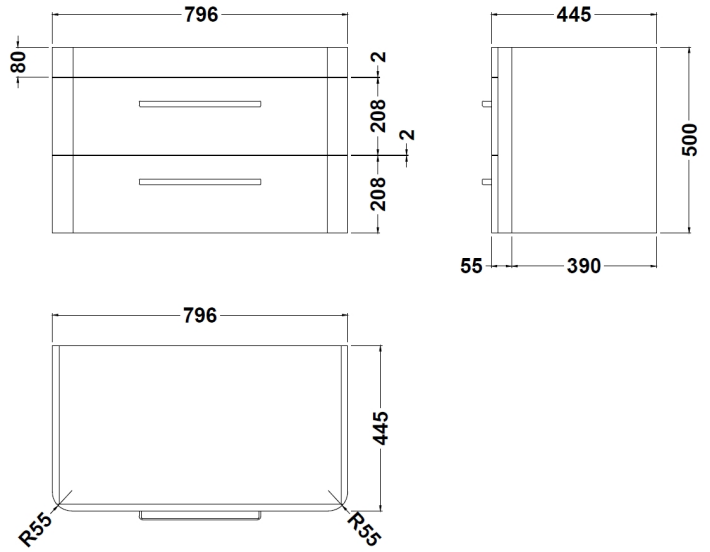
**DESCRIPTION:**

800 W/H 2-Drawer Unit & Basin



# CUSTOMER DATA SHEET - FURNITURE

**DESCRIPTION:** 800 W/H 2-Drawer Unit 500 X 796 X 447



### PRODUCT DIMENSIONS

Height (mm)	Width (mm)	Depth (mm)	Nett Wgt Kg
500	796	445	27

### PACKAGING DIMENSIONS

Height (mm)	Width (mm)	Depth (mm)	Gross Wgt Kg
570	870	510	28

### PACKAGING DATA

Box Colour	Brown Cardboard Box		
Box Qty	1	Label Colour	White Label
Label Size	150 x 100	Label Qty	2

### OUTER BOX DIMENSIONS (If Applicable)

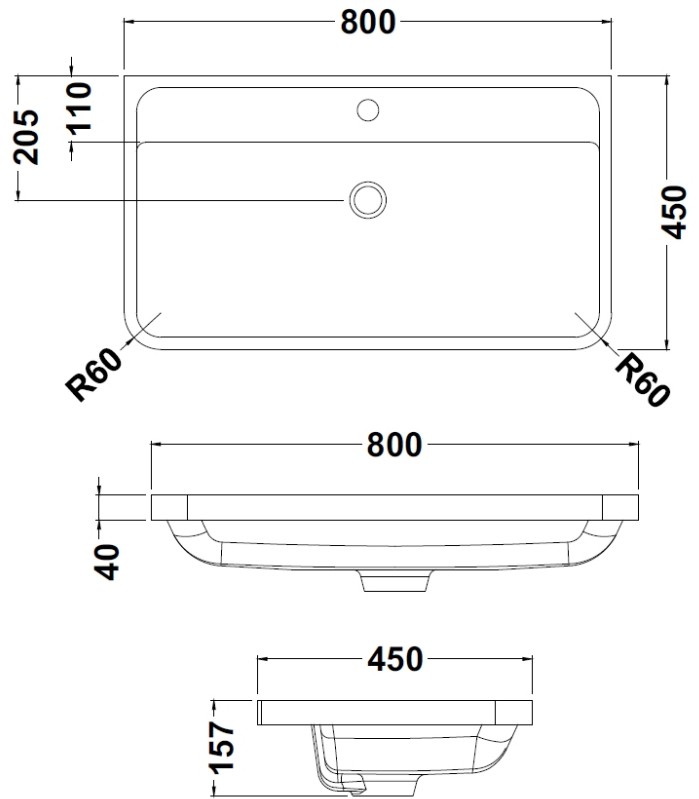
Height (mm)	Width (mm)	Depth (mm)	Gross Wgt Kg

### PRODUCT DETAILS

Country of Origin	United Kingdom			
Fitting Instruction	No			
Constr' Method	Cam & Wood Dowel			
Cabinet Finish	Mdf Vinyl Smooth Matt			
Cab Thickness (mm)	18			
Drawer Included	Yes			
No of Shelves	0			
Hinge Inc'	Not Applicable			
Fixings Inc'	Yes			
Handle Inc'	Yes			
Handle Type	D-Shape			
Certification	FSC	Yes	CE	
Colour	Pure White			
Constr' Type	Rigid			
Fascia Finish	Mdf Vinyl Smooth Matt			
Fas Thickness (mm)	18			
Drawer Type	80mm High Metal S/C Inc Galler			
Hinge Type	Not Applicable			
Adjustable Legs	Not Applicable			
Handle Style	Modern			
Waste Shroud	Yes			

# CUSTOMER DATA SHEET - CERAMICS

**DESCRIPTION:** 800X450mm Poly Marble Basin



### PRODUCT DIMENSIONS

Height (mm)	Width (mm)	Depth (mm)	Nett Wgt Kg
450	800	157	18.12

### PACKAGING DIMENSIONS

Height (mm)	Width (mm)	Depth (mm)	Gross Wgt Kg
167	840	470	18.12

### PACKAGING DATA

Box Colour	Brown Cardboard Box - Printed		
Box Qty	1	Label Colour	White Label
Label Size	100 x 50	Label Qty	2

### OUTER BOX DIMENSIONS (If Applicable)

Height (mm)	Width (mm)	Depth (mm)	Gross Wgt Kg

### PRODUCT DETAILS

Country of Origin	China
Fitting Instruction	No

Certification	CE	No	WRAS	N/A	WRAS Number	N/A
Product Material	Polymarble					

### PANS/BIDETS

Trap Style	Not Applicable	Includes Seat	Not Applicable
------------	----------------	---------------	----------------

### CISTERNS

Fittings	Not Applicable	Operating Type	Not Applicable
Lever Type	Not Applicable		

### SEAT

Type	Not Applicable	Function	Not Applicable
Material	Not Applicable		
Hinge Type	Not Applicable	Hinge Material	Not Applicable

### BASINS

Tap Hole	One Taphole	Chain Stay Hole	No
Template	Not Required	Waste Type Req'd	Slotted
Overflow Incl.	Yes	Overflow Cover	Yes
Inner Bowl Depth	105mm		

### GENERAL

Fixing Supplied	No
-----------------	----