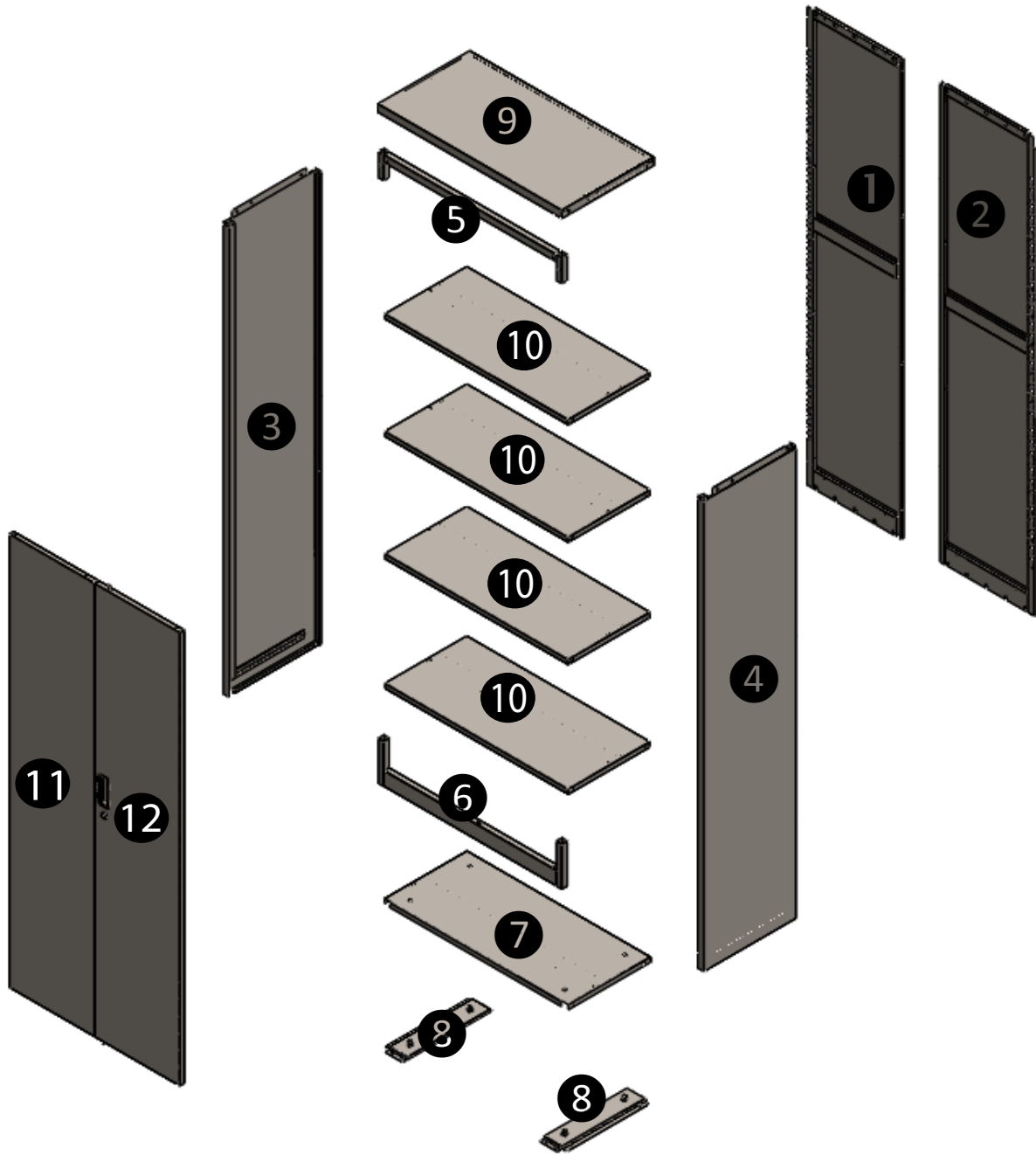



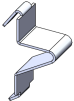
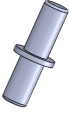




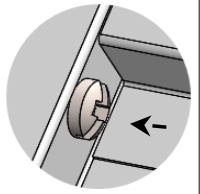
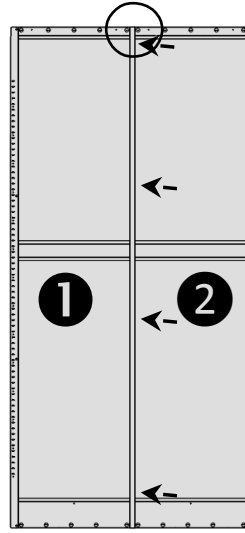
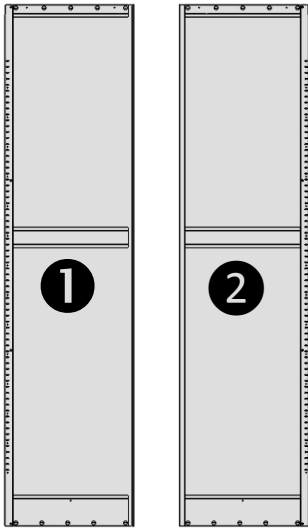
assembly guide

parts breakdown



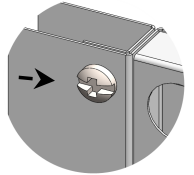
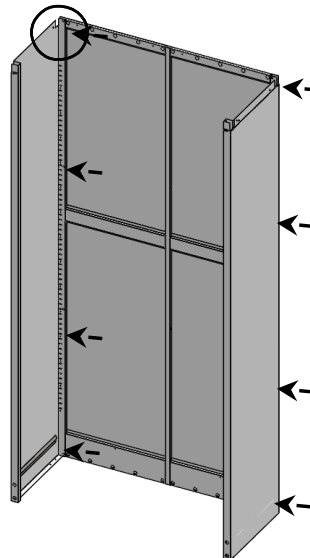
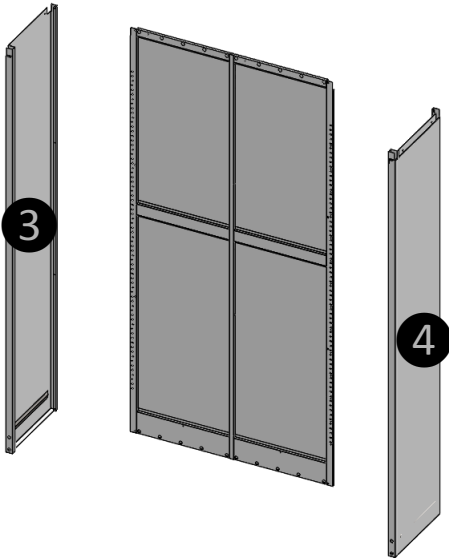
 <p>X4</p>	 <p>X32</p>	<p>M6x20mm</p>  <p>X6</p>	 <p>X16</p>	 <p>X2</p>
---	--	---	--	---

step 1



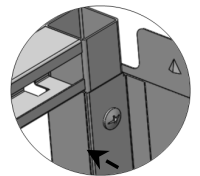
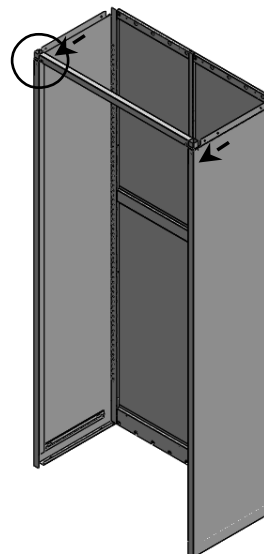
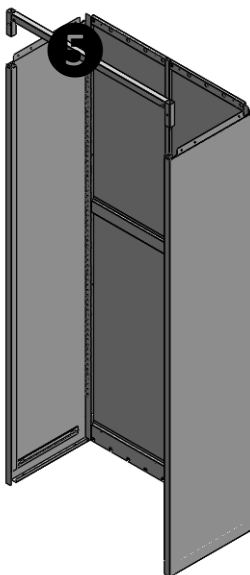
X4

step 2



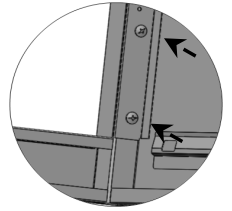
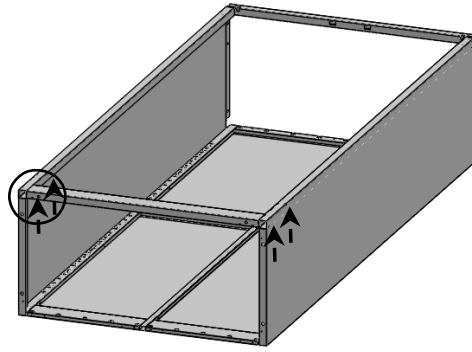
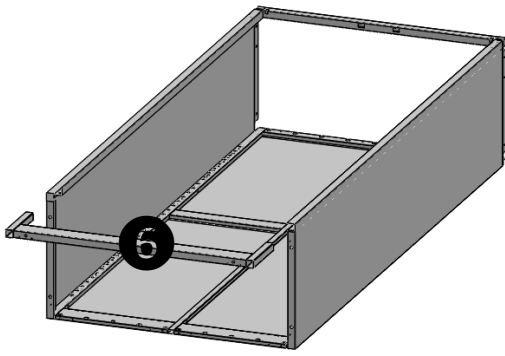
X8

step 3

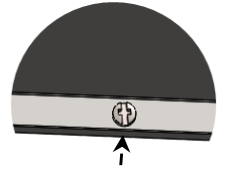
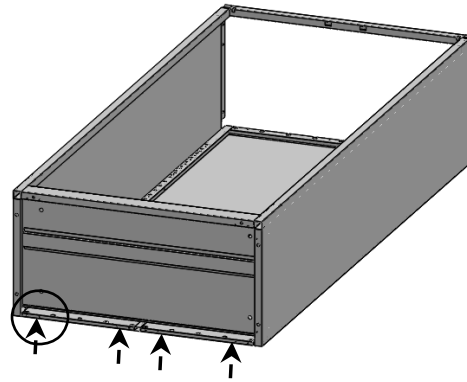
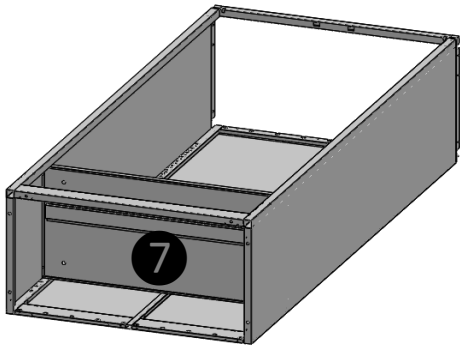


X2

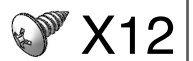
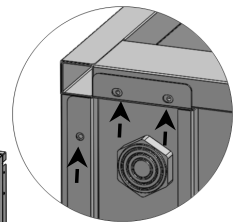
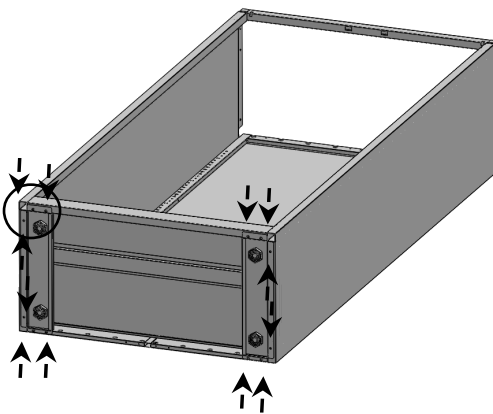
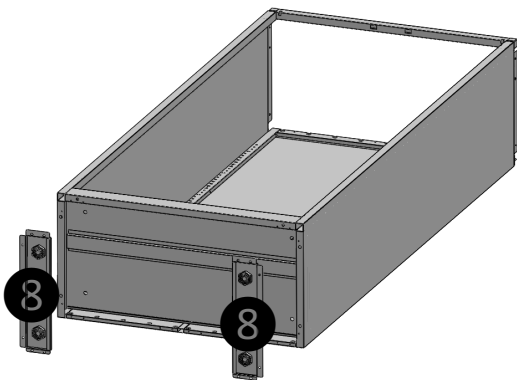
step 4



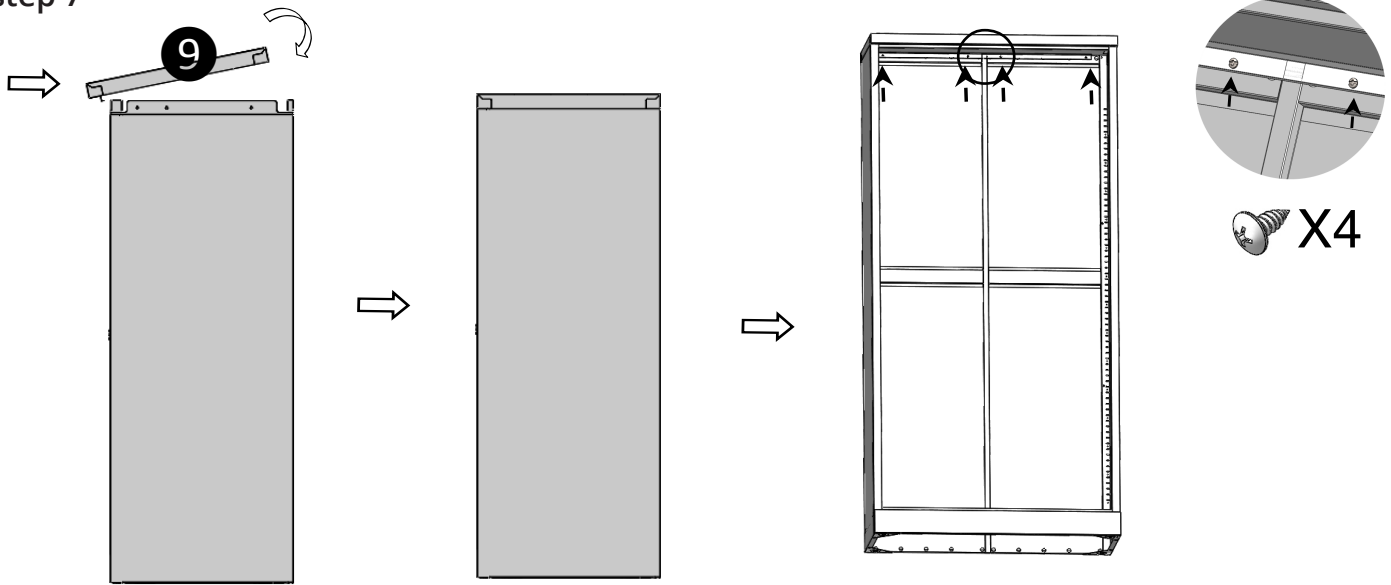
step 5



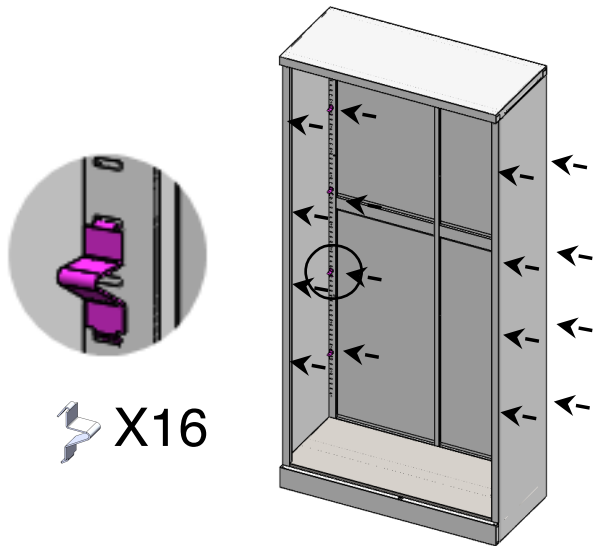
step 6



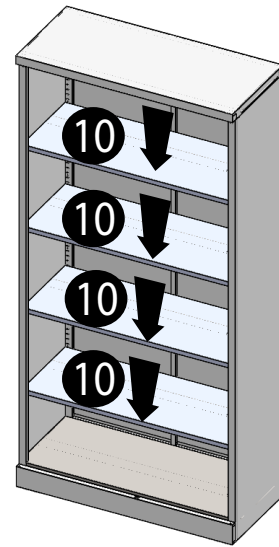
step 7



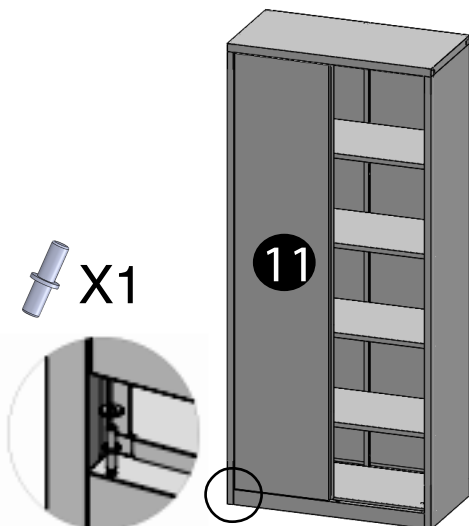
step 8



step 9



step 10



step 11

