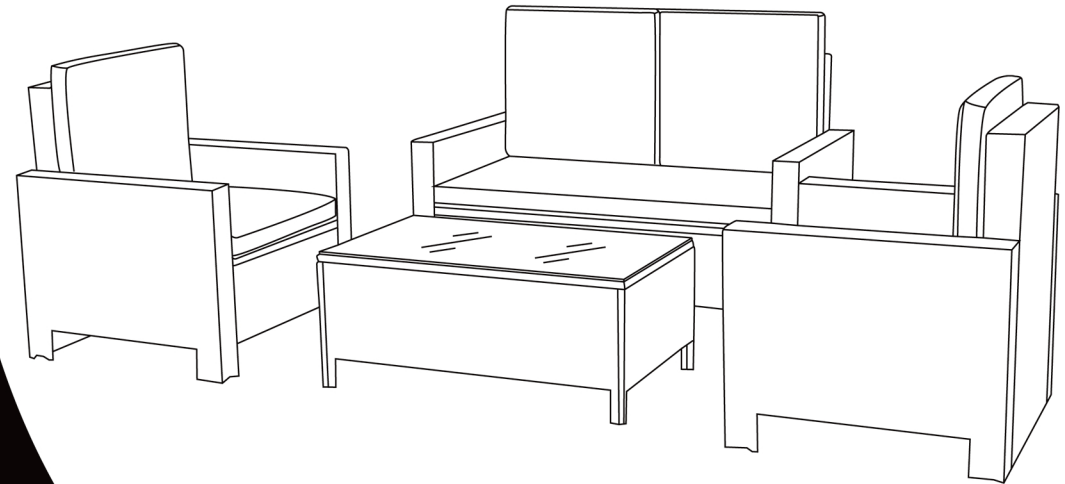


# ■ ASSEMBLY INSTRUCTIONS

---

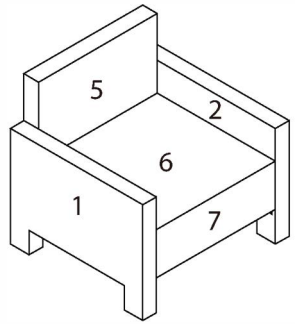
## ■ 4-Piece

Rattan Patio Furniture Set




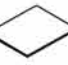





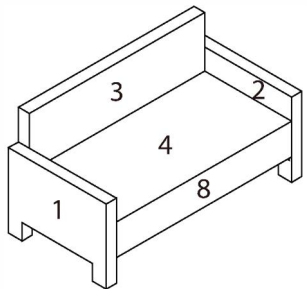
# Parts ■ Dear Customers

Check and make sure you get the components on the list, contact us for any missing



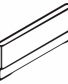






■ 2-Single Rattan Chair

- 1. Right Rattan Sofa Arm Rest  2 pcs
- 2. Left Rattan Sofa Arm Rest  2 pcs
- 5. Single Rattan Sofa Backrest  2 pcs
- 6. Single Rattan Sofa Seat Cushion  2 pcs
- 7. Single Rattan Sofa Front Bezel  2 pcs
- M6 Screw  M6X35  
30 pcs
- Washer  30 pcs



■ 1-Double Rattan Chair

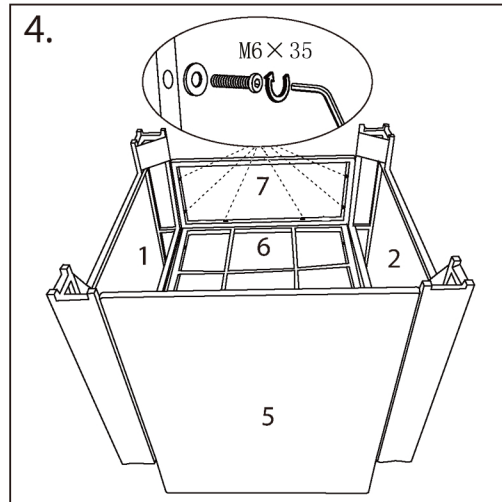
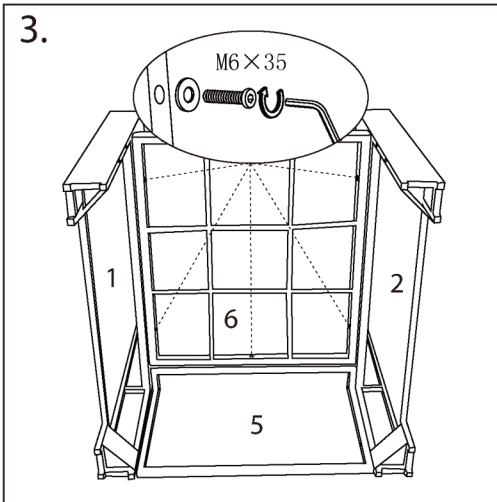
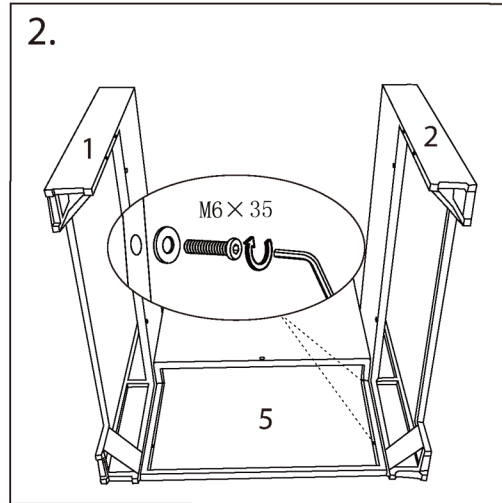
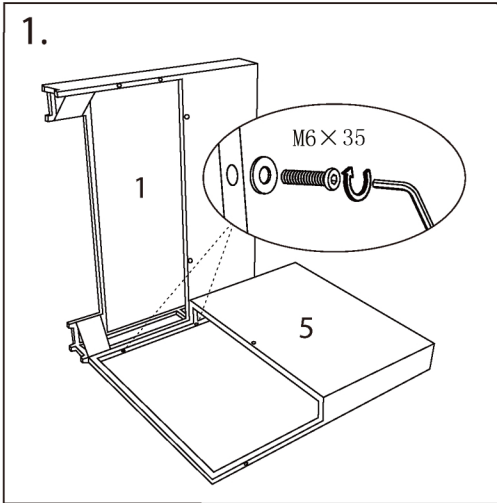
- 1. Right Rattan Sofa Arm Rest  1 pcs
- 2. Left Rattan Sofa Arm Rest  1 pcs
- 3. Double Rattan Sofa Backrest  1 pcs
- 4. Double Rattan Sofa Seat Cushion  1 pcs
- 8. Double Rattan Sofa Front Bezel  1 pcs
- M6 Screw  M6X35  
16 pcs
- Washer  16 pcs

# Assembly steps ■ Assembly steps

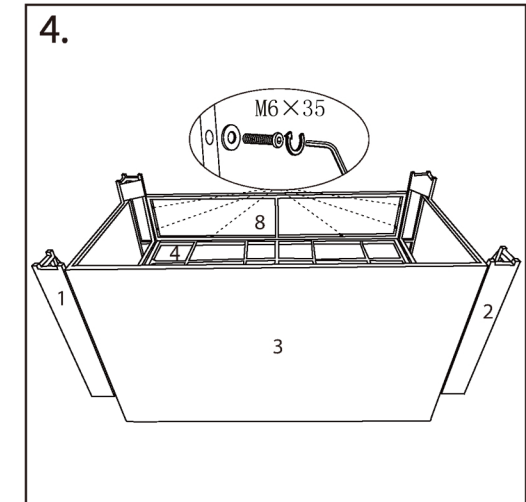
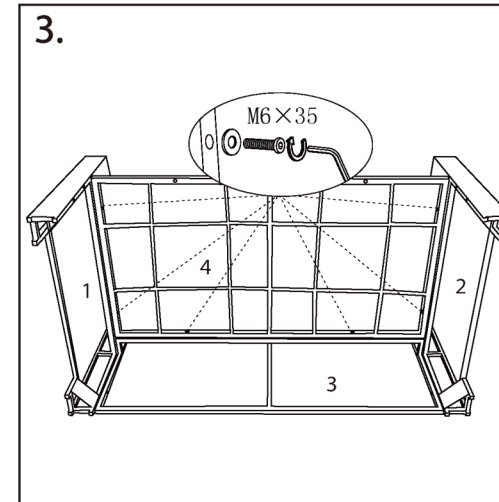
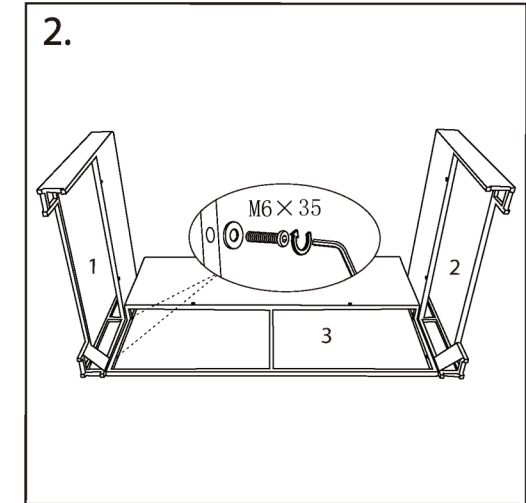
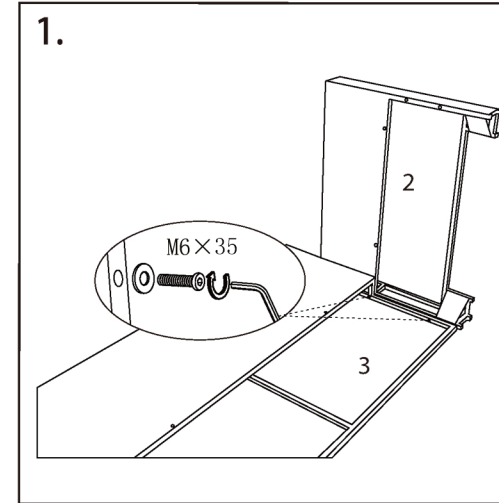
Tips: DO NOT tighten any screws until all the parts are put together.

Tips: DO NOT tighten any screws until all the parts are put together.

## ■ Single Rattan Chair Assembly steps



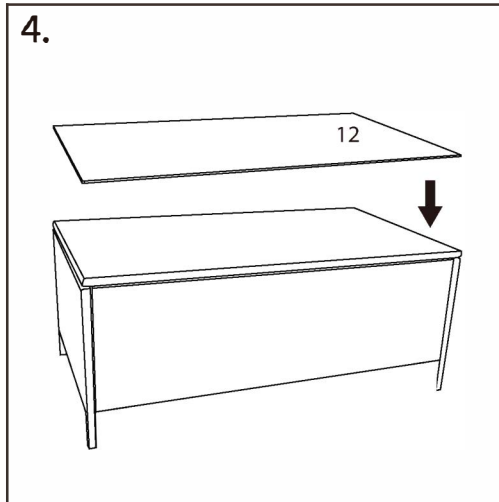
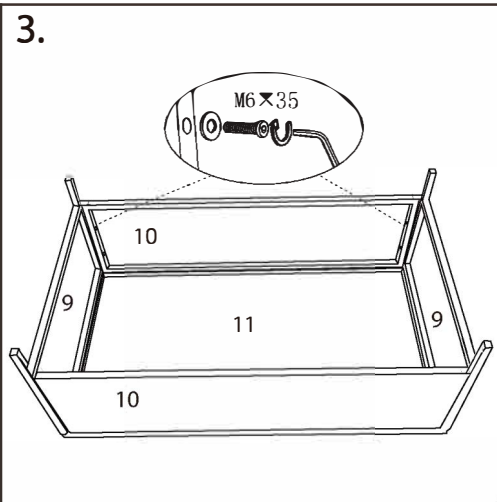
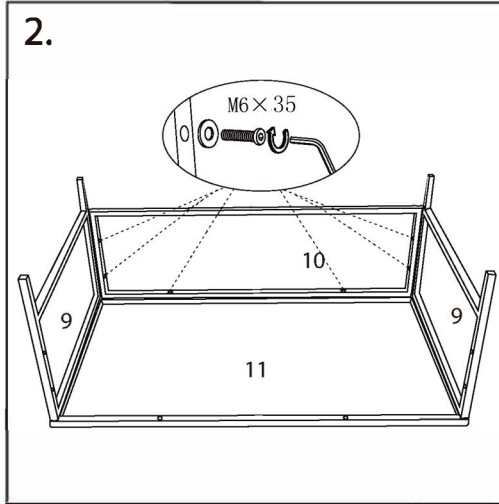
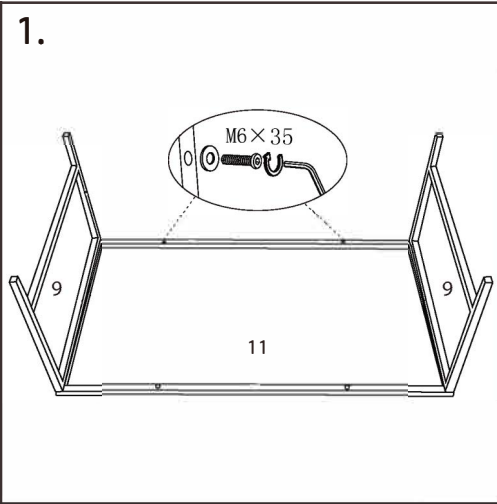
## ■ Double Rattan Chair Assembly steps



# Assembly steps ■ Parts

**Tips: DO NOT tighten any screws until all the parts are put together.**

## ■ Rattan Coffee Table Assembly steps



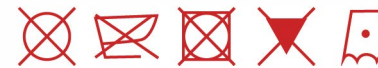
Check and make sure you get the components on the list, contact us for any missing

■ 1-Rattan Coffee Table

9. Left Right Coffee Table Bezel		2 pcs
10. Front Behind Coffee Table Bezel		2 pcs
11 .Coffee Table Table bp		1 pcs
12.Coffee Table Glass		1 pcs
M6 Screw		M6X35 12pcs
Washer		12 pcs
■ Install Tool		1 pcs

### Notice:

1. Remove the sponge from the cushion when washing.
2. Hand wash only. The washing machine and brush harm the fabric.



**Tips: DO NOT tighten any screws until all the parts are put together.**