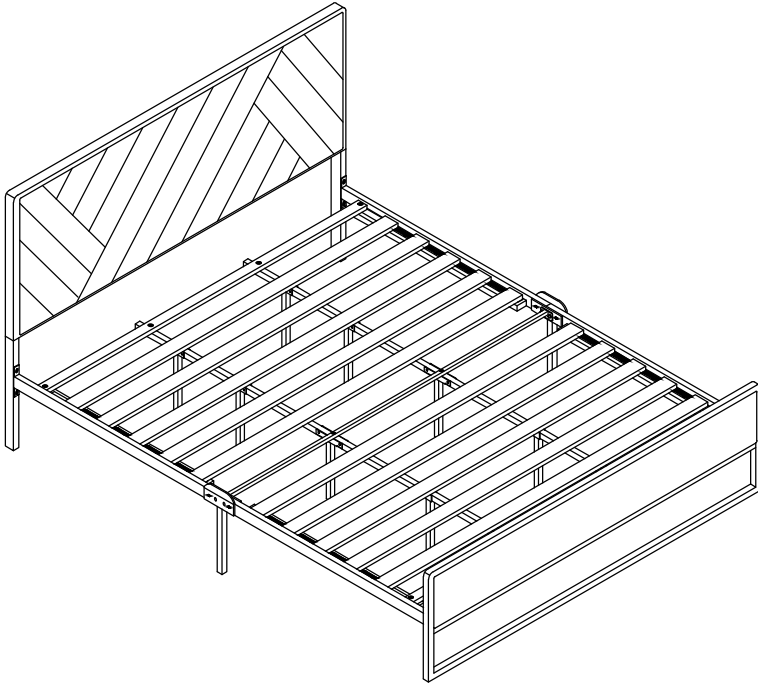


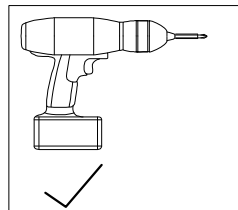
ASSEMBLY INSTRUCTION



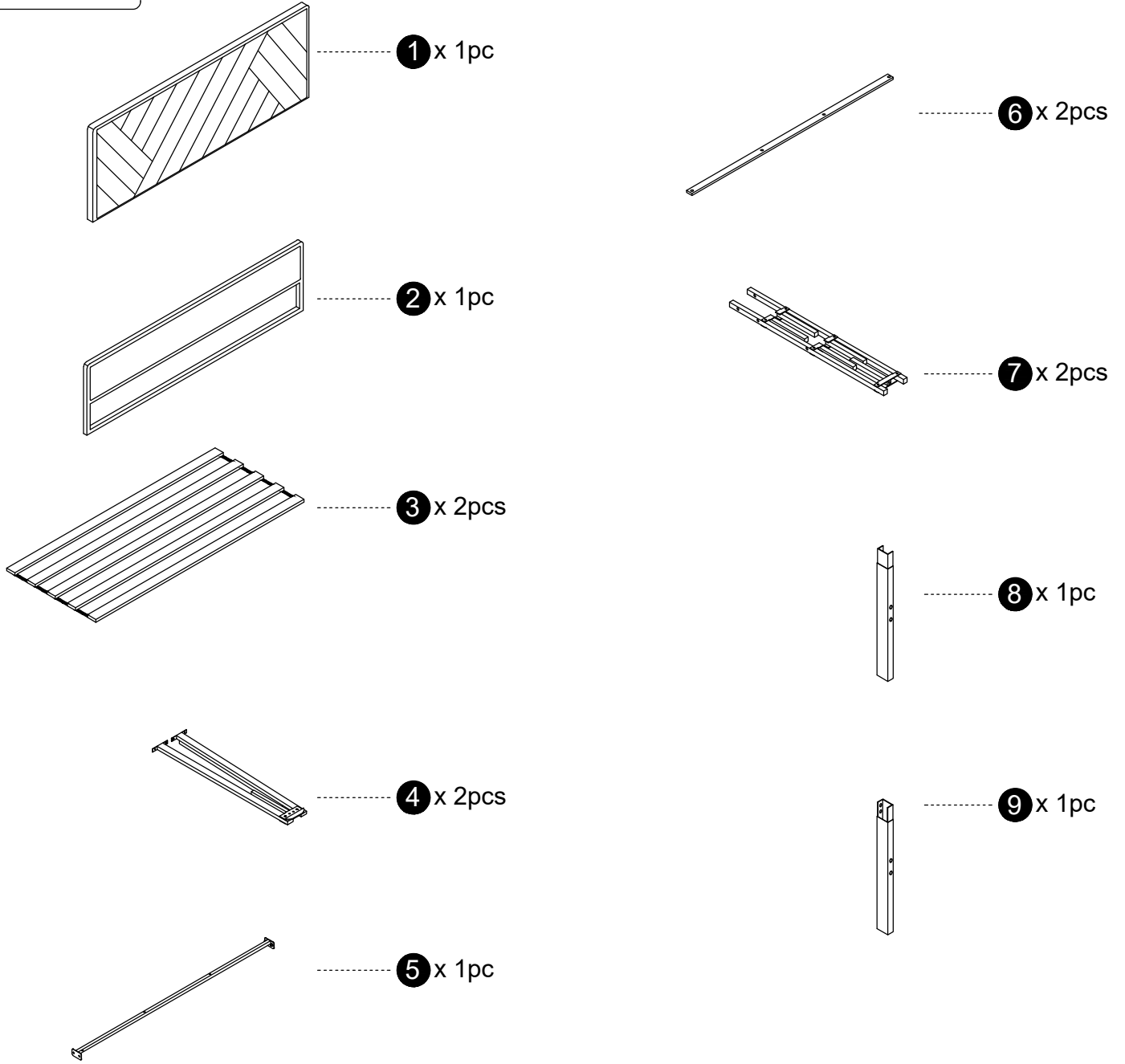
Please **TEAR OFF** this shrink film from side! **DO NOT USE CUTTER!**

IMPORTANT NOTE

1. FOR THE PROTECTION OF YOUR FURNITURE, PLACE ALL PARTS ON A CLEAN AND SMOOTH SURFACE TO PREVENT ANY DAMAGE.
2. DO NOT USE POWER TOOLS TO ASSEMBLE THE BED.
3. PLEASE PERIODICALLY CHECK ALL FITTINGS AND RE-TIGHTEN AS NECESSARY.
4. DO NOT USE THE BED UNLESS ALL BOLTS AND SCREWS ARE FIRMLY SECURED.
6. YOU CAN ASSEMBLE IT WITH OUR PACKAGING TOOLS OR WITH A.



PART LIST



HARDWARE LIST



H1 M4 x 1pc



H2 M6x20mm x 12pcs



H3 M6x35mm x 4pcs



H4 M6x40mm x 16pcs



H5 M6 x 16pcs

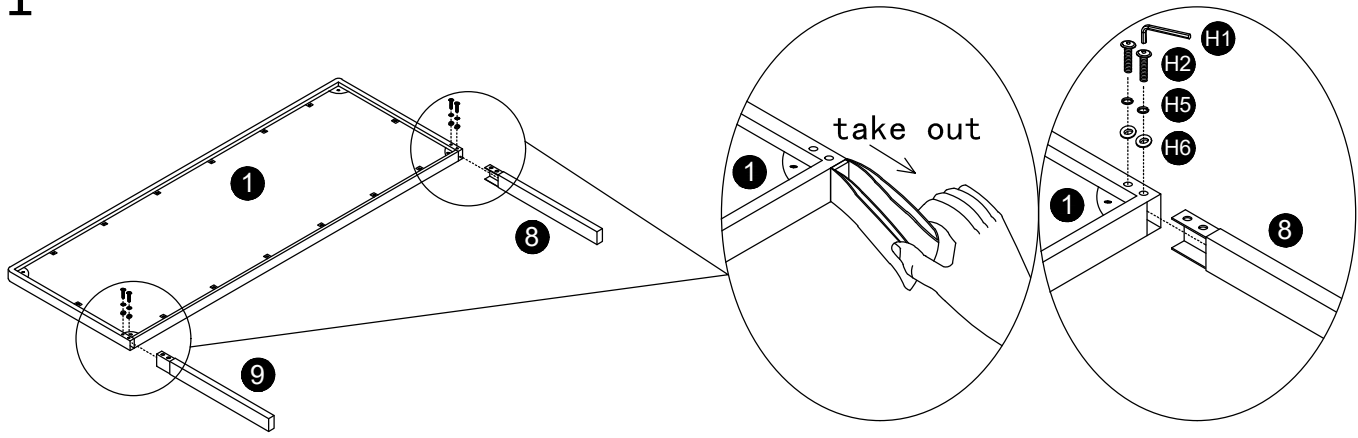


H6 M6 x 30pcs

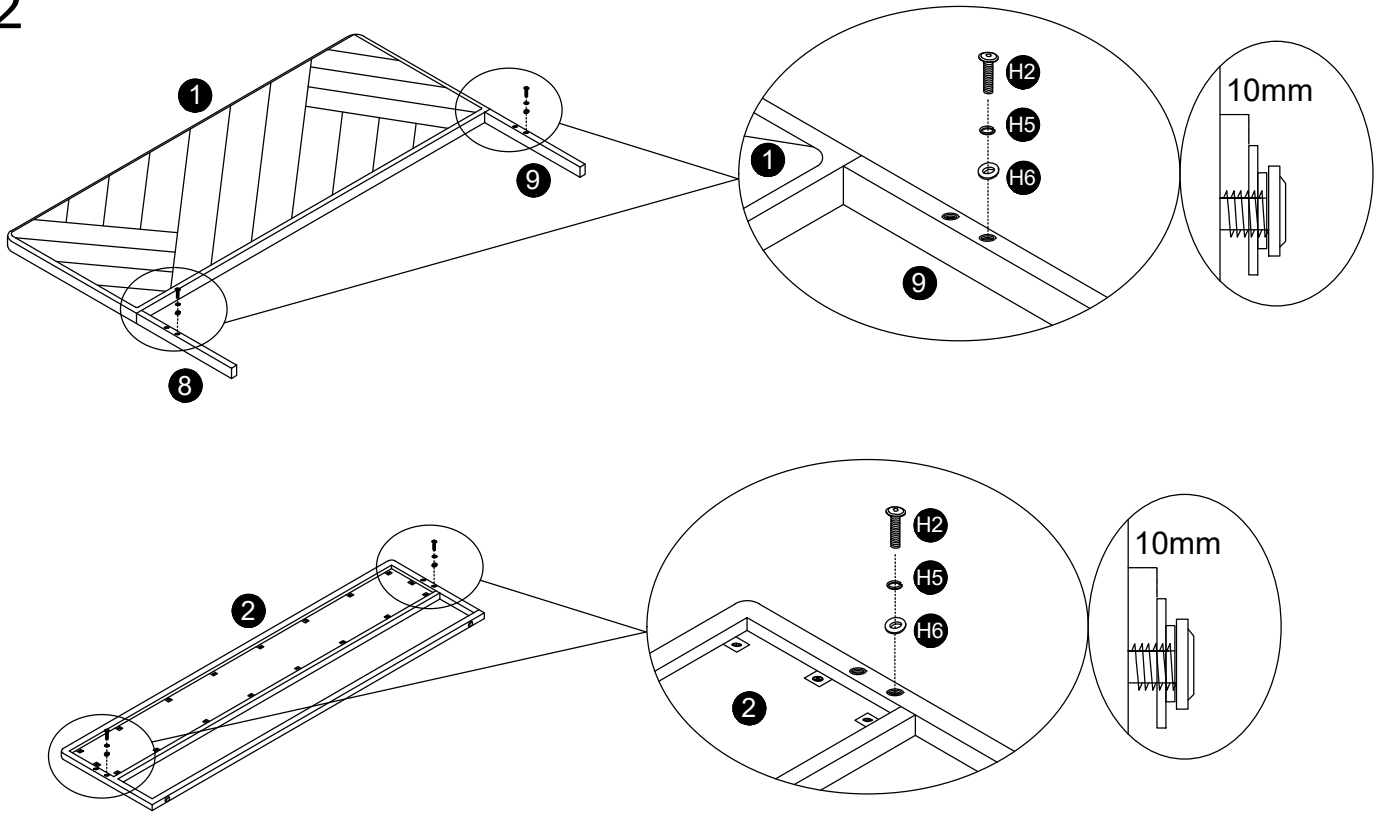


H7 M6x60mm x 2pcs

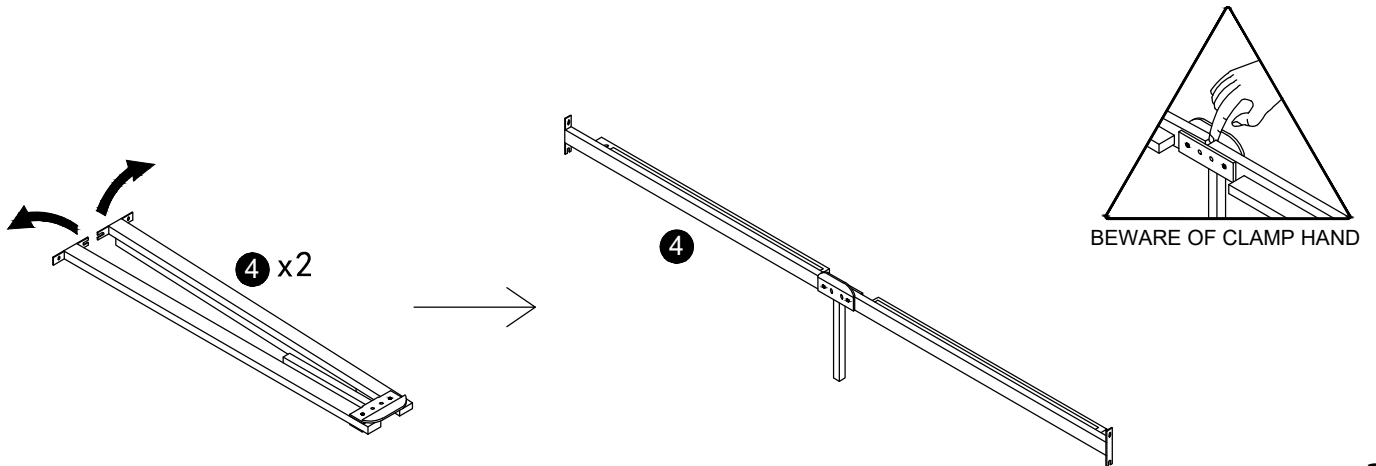
1



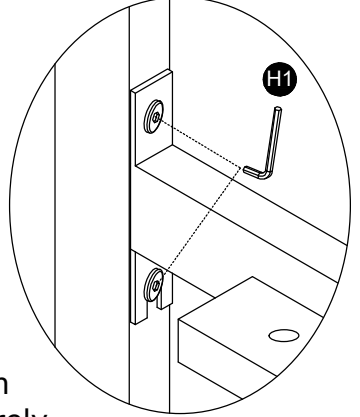
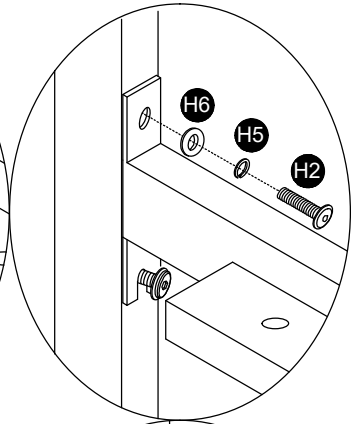
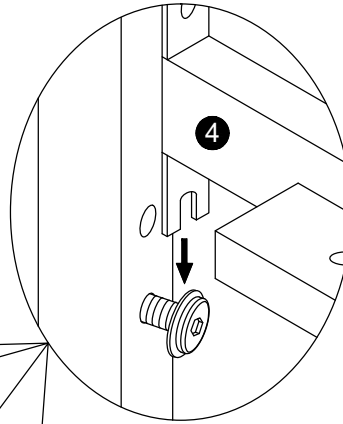
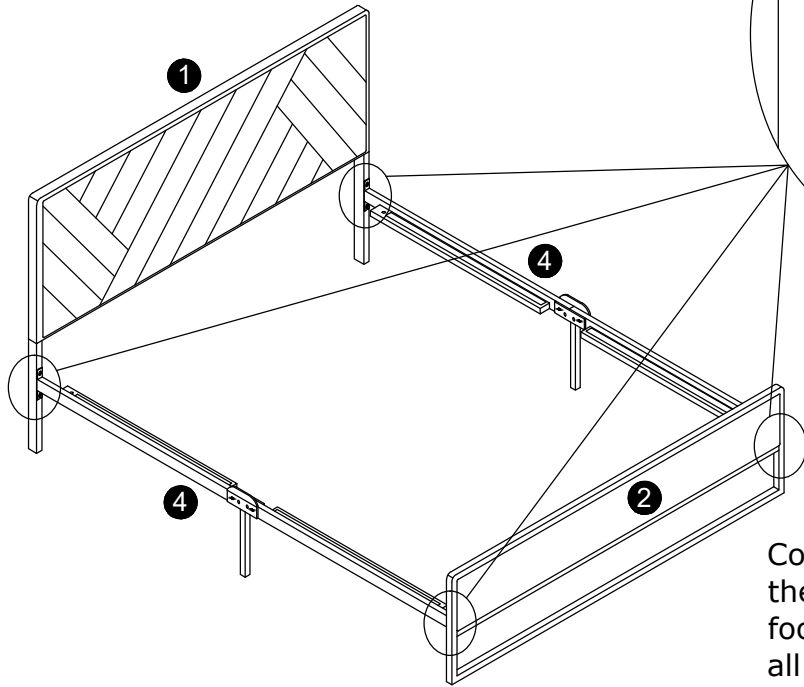
2



3

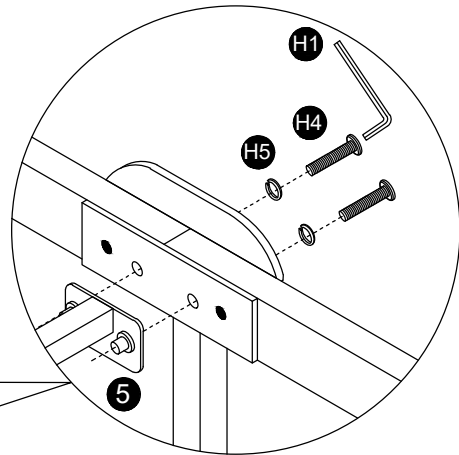
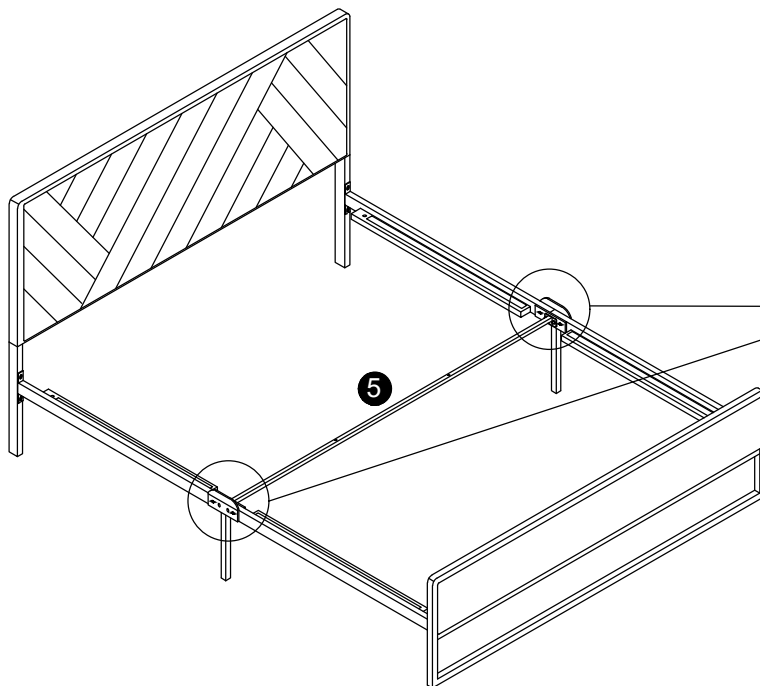


4

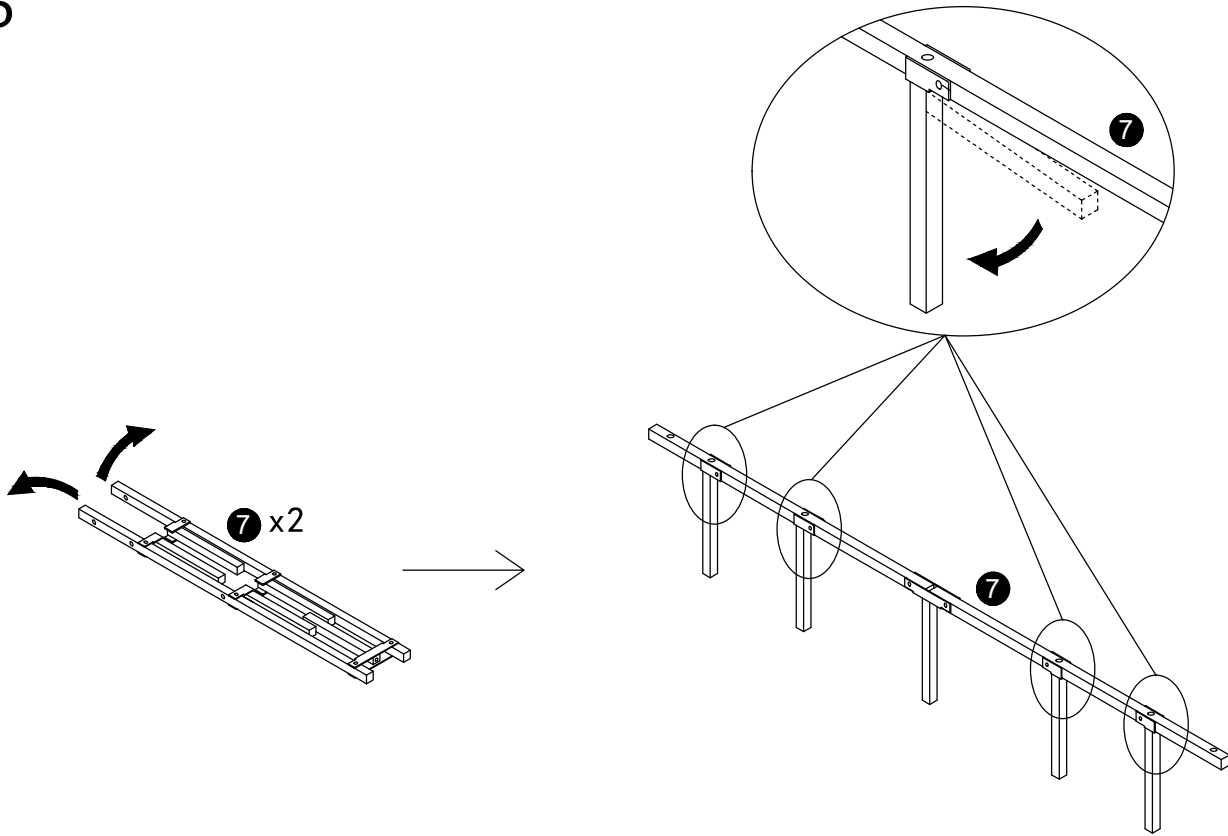


Connect part 4 to the headboard and footboard, and tighten all eight screws securely.

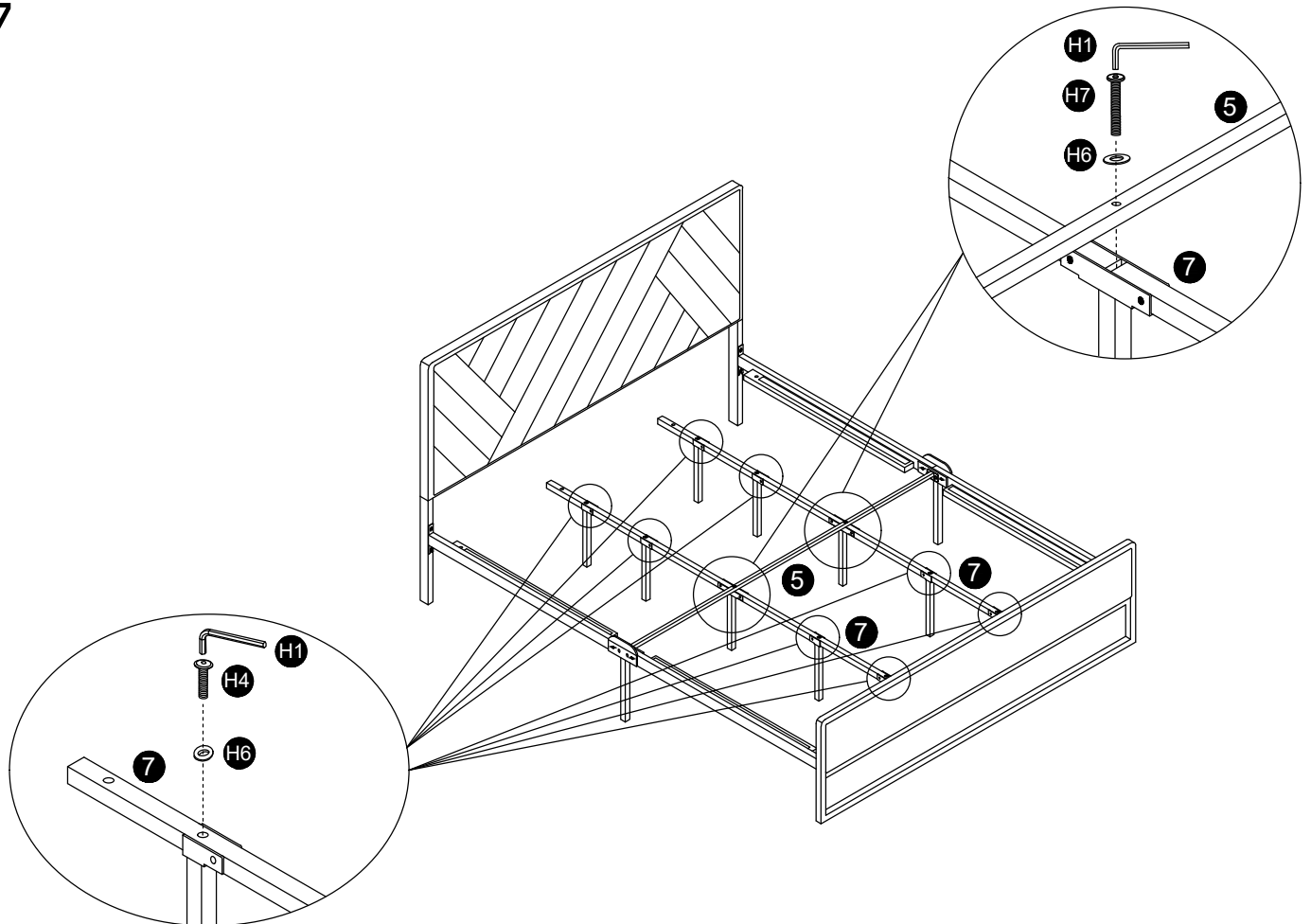
5



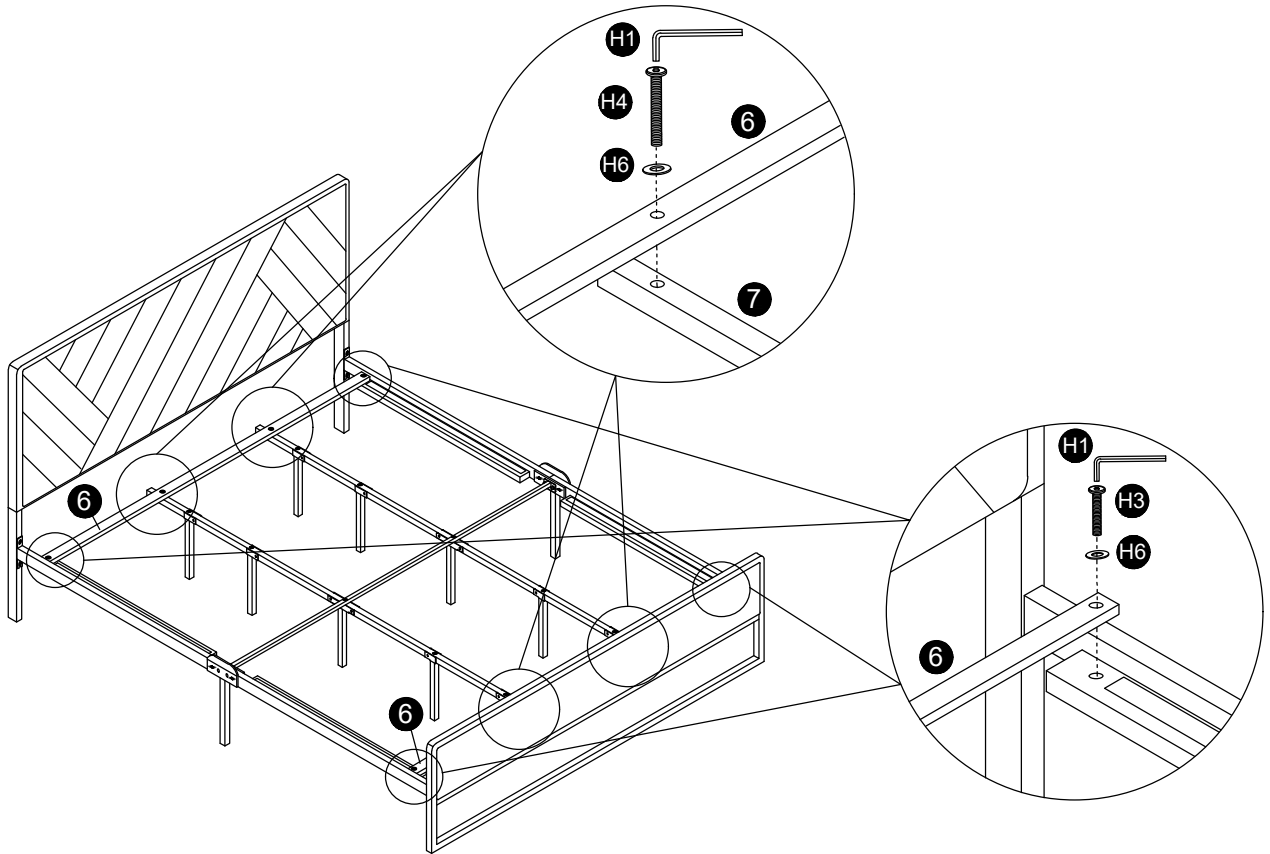
6



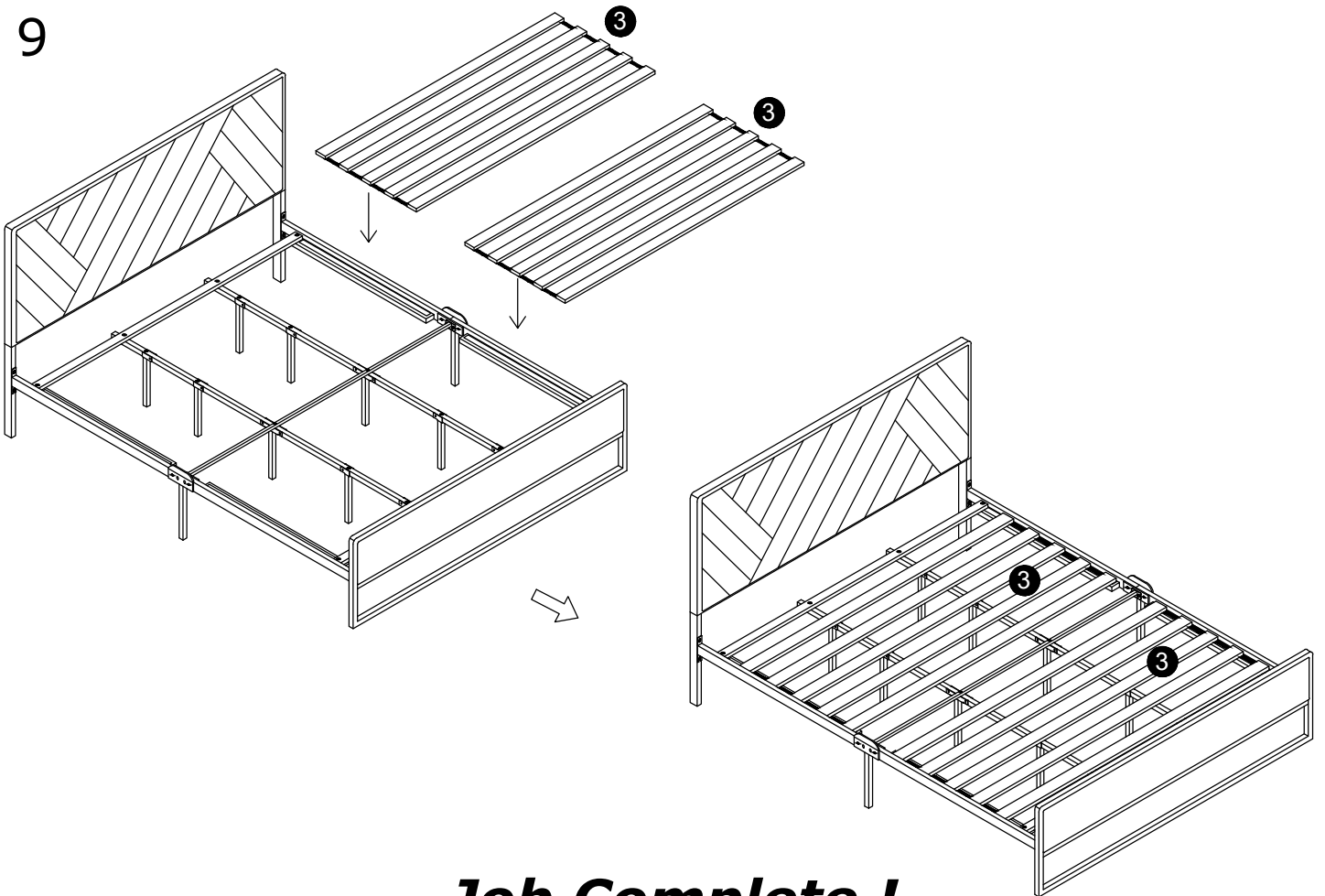
7



8



9



Job Complete !

In the interest of our environment please dispose of all packaging thoughtfully.