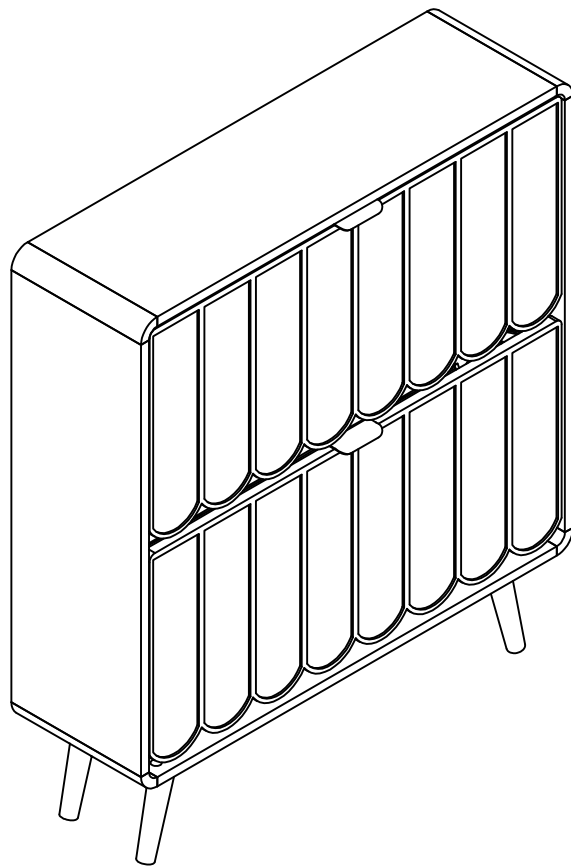


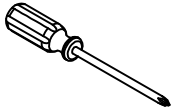
Installation Instruction



Assembling

What you need

- Use the packaging carton as a working surface to prevent product damage during assembly
- Phillips head screwdriver



Weight Limitation



100

lbs table top

| 35

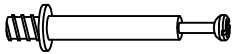
lbs per

What' included

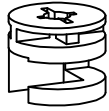
Code	Description	Qty
A	Cam Bolt M6X35MM	20
B	Cam Lock 15X10MM	20
C	Wooden Dowel M8X30MM	8
D	Screw M4X40MM	2
E	Screw M3.5X14MM	22
F	Inner Shaft	4
G	Stopper	4
H	External Shaft	4
I	Screw M3.5X14MM	28
J	Metal connector	2
K	Anchor	2
L	Left Plastic Holder	2
M	Hole position sticker	20
N	Screw M4X10MM	4
O	Metal shake handhandle	2
P	The metal plate	4
Q	The Mats	4
R	Right Plastic Holder	2

The Hardwares

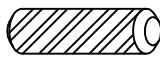
Ⓐ



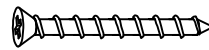
Ⓑ



Ⓒ



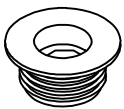
Ⓓ



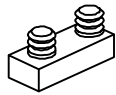
Ⓔ



Ⓕ



Ⓖ



Ⓗ



Ⓘ



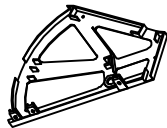
Ⓙ



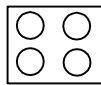
Ⓚ



Ⓛ



Ⓜ



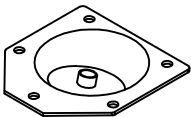
Ⓝ



Ⓞ



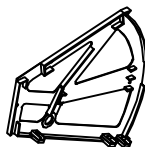
Ⓟ



Ⓠ



Ⓡ



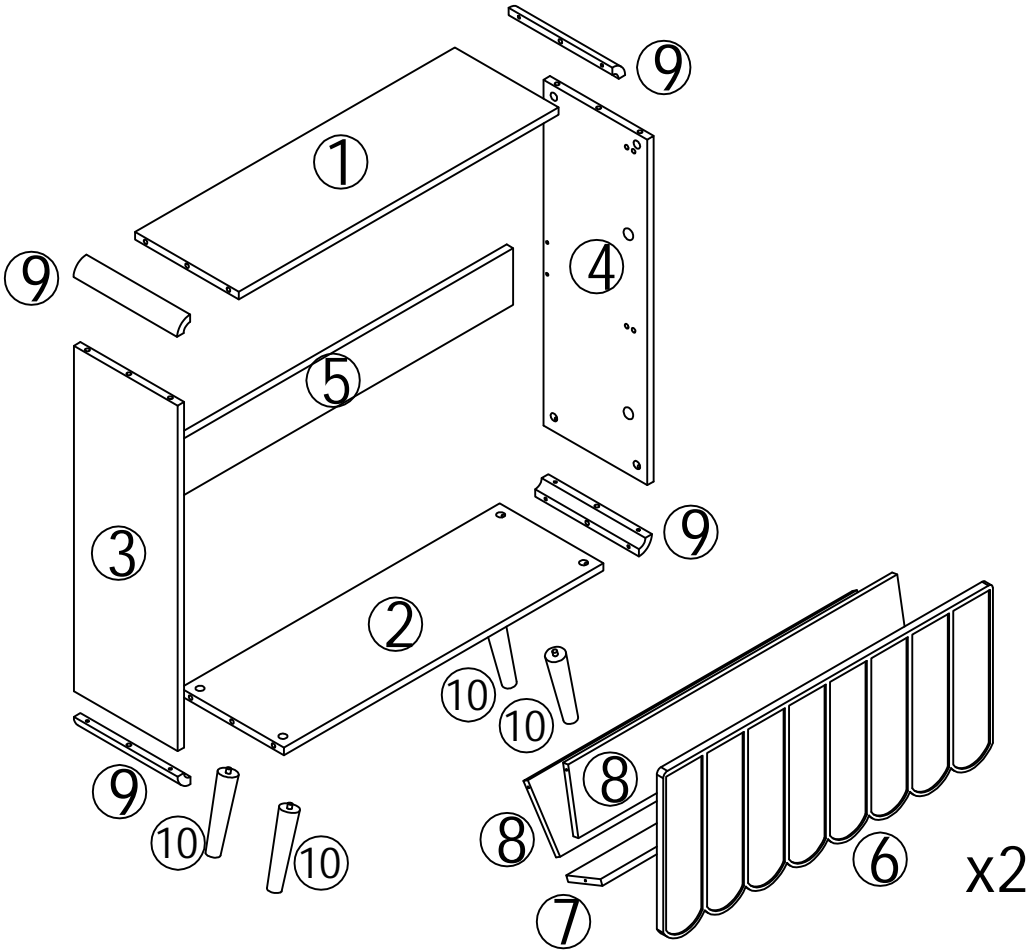
IMPORTANT:

1. Do not tighten bolts / screws completely until all bolts / screws are lined up and inserted into holes.
2. Do not over tighten screws and bolts to avoid stripping
3. Please use hand tools to assemble this product, you can also use power tools (please use power tools carefully).

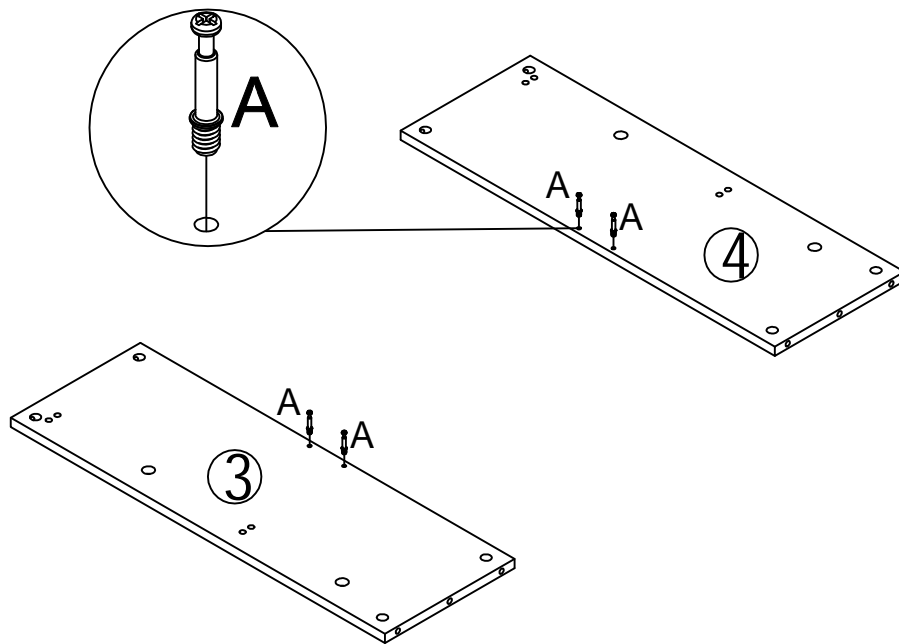
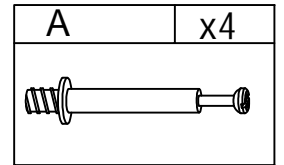
Included Accessories

Code	Description	Qty
1	Cabinet Top	1
2	Bottom Panel	1
3	Left Side Panel	1
4	Right Side Panel	1
5	Back stiffener	1
6	Door	2
7	Inner lamella	2
8	Large inner plate	4
9	Curved strip	4
10	Solid wood feet	4

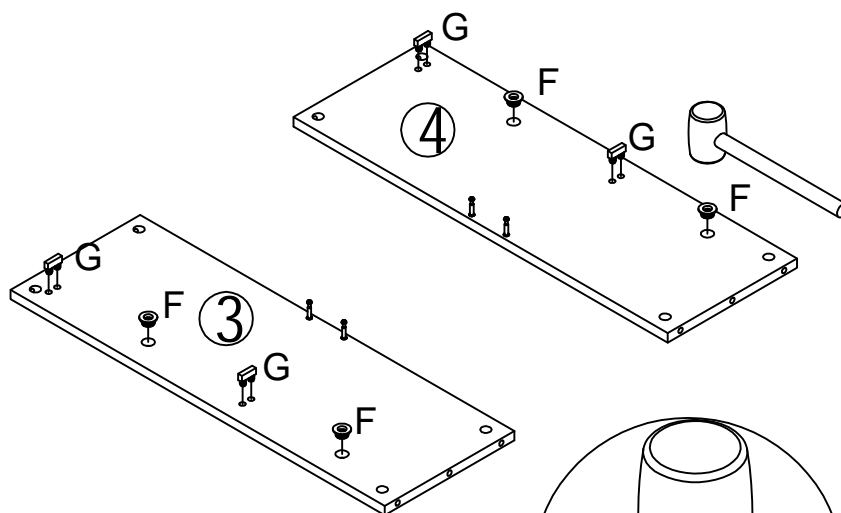
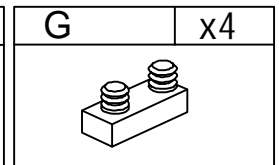
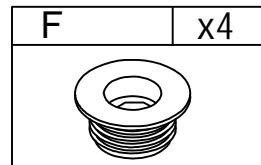
The Accessoriess



Step 1

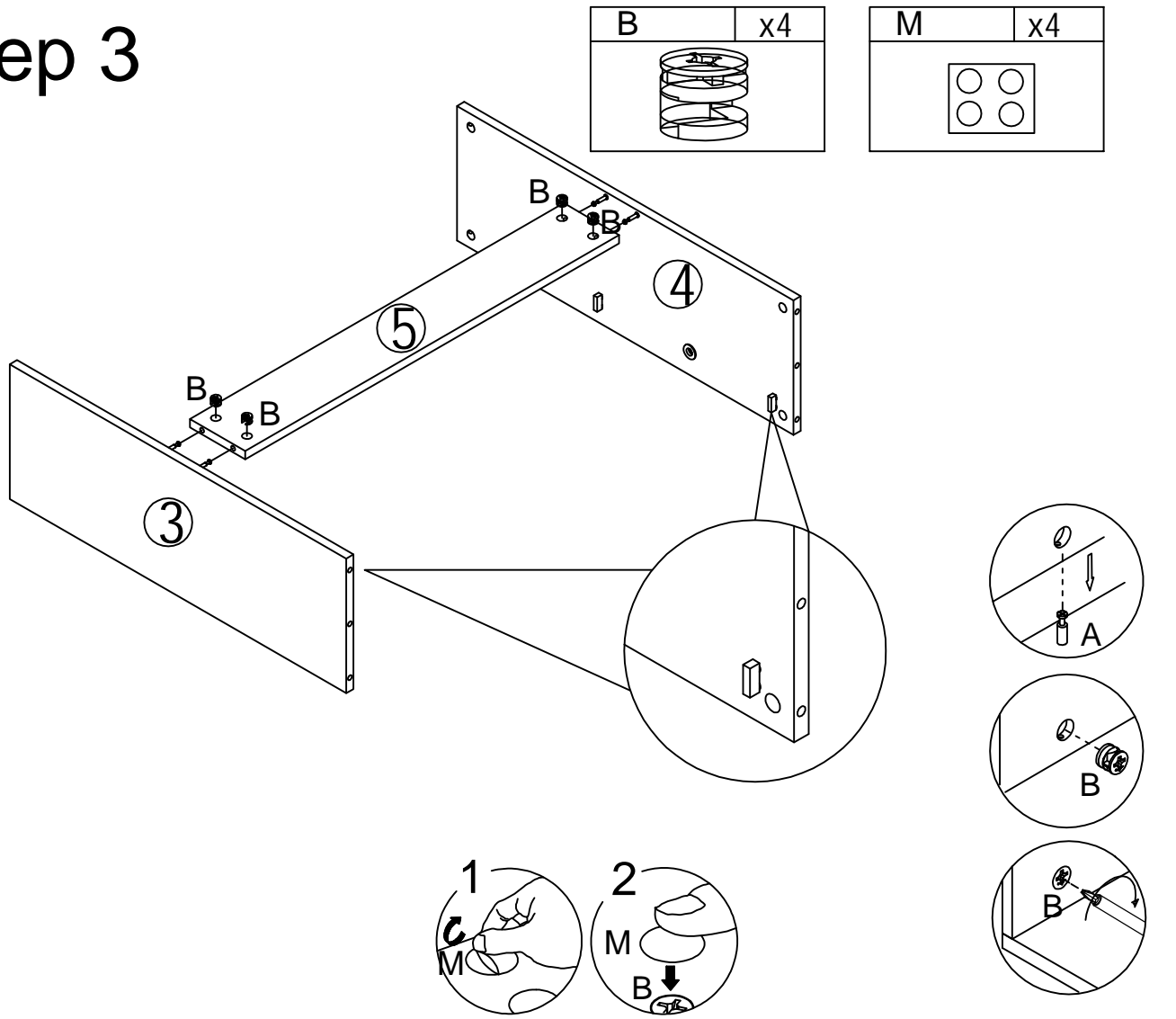


Step 2

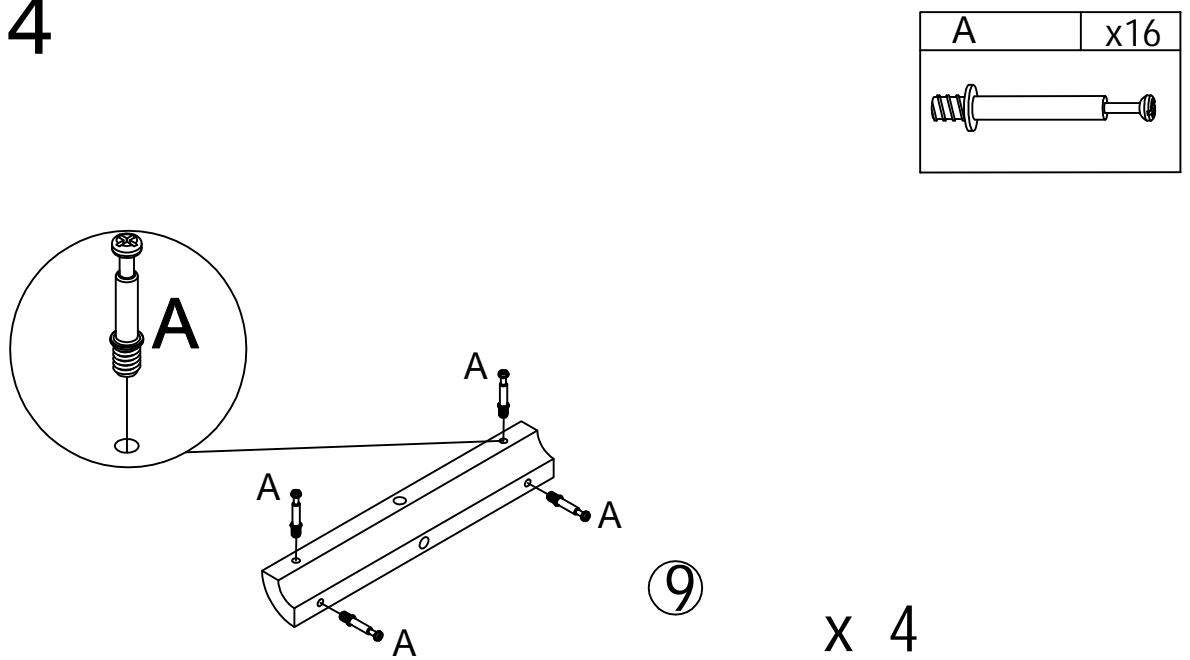


Please strike the accessories F and G forcefully into the board.

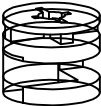
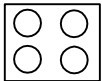
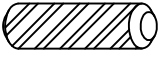
Step 3

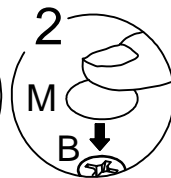
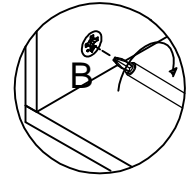
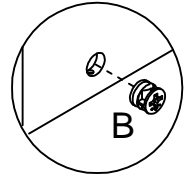
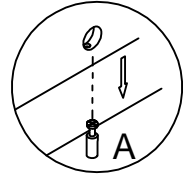
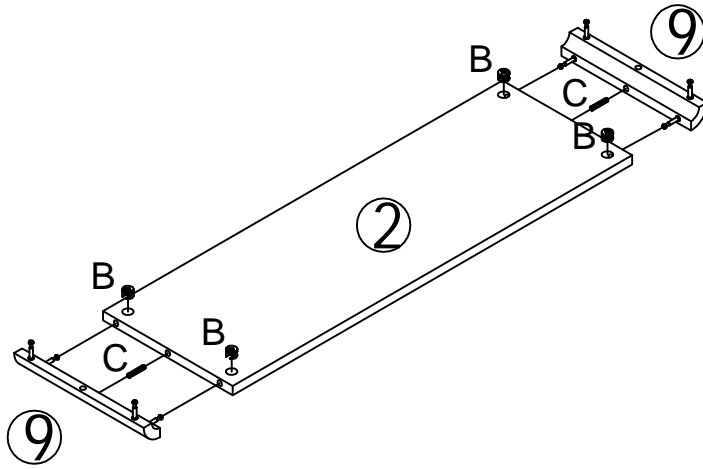


Step 4

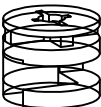
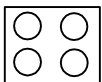
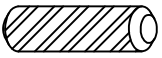


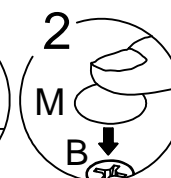
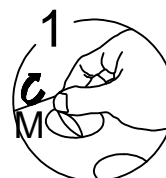
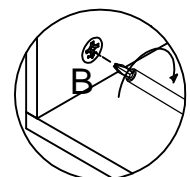
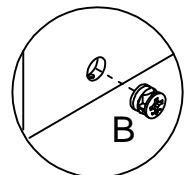
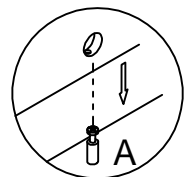
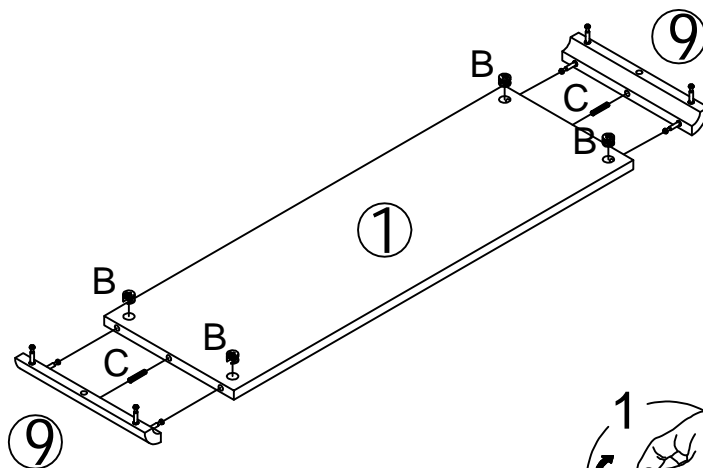
Step 5

B	x4	M	x4	C	x2
					

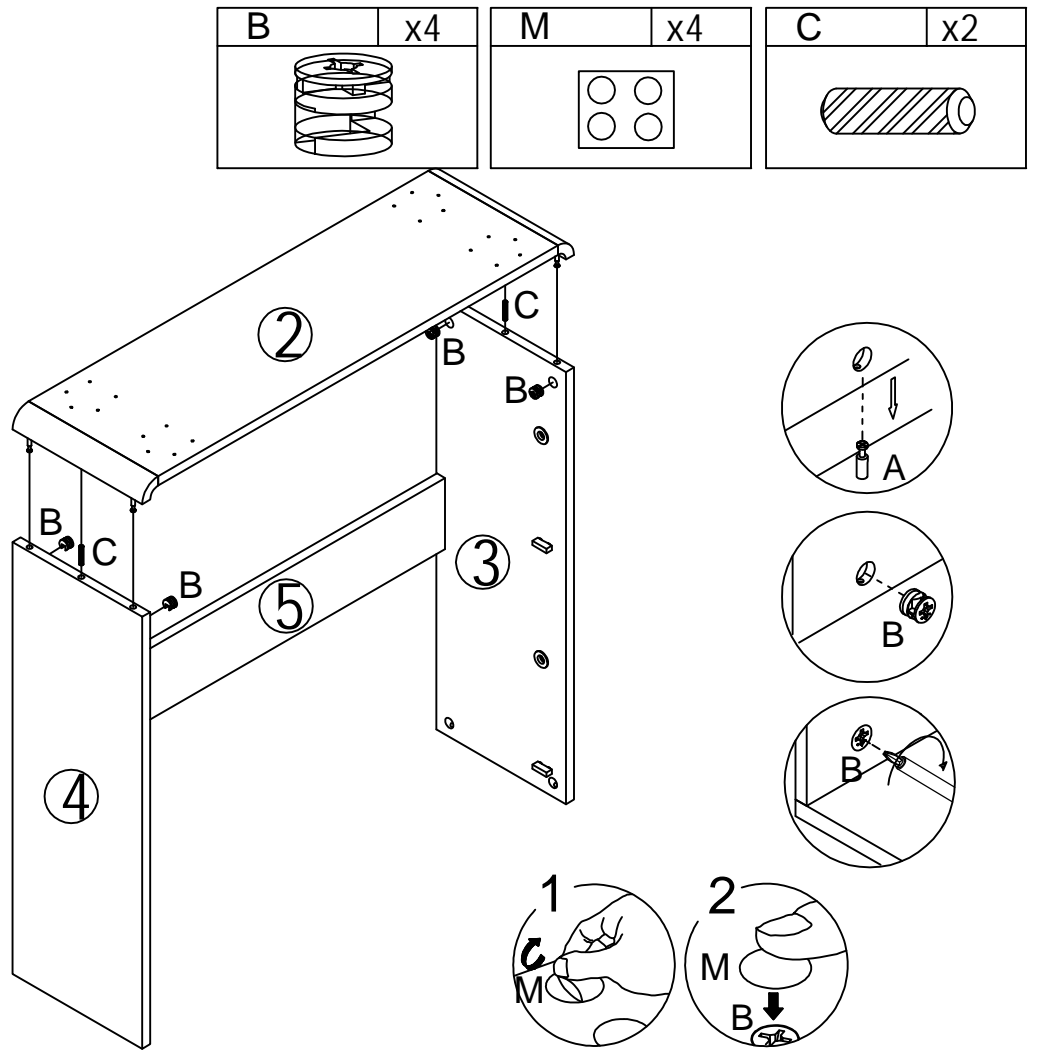


Step 6

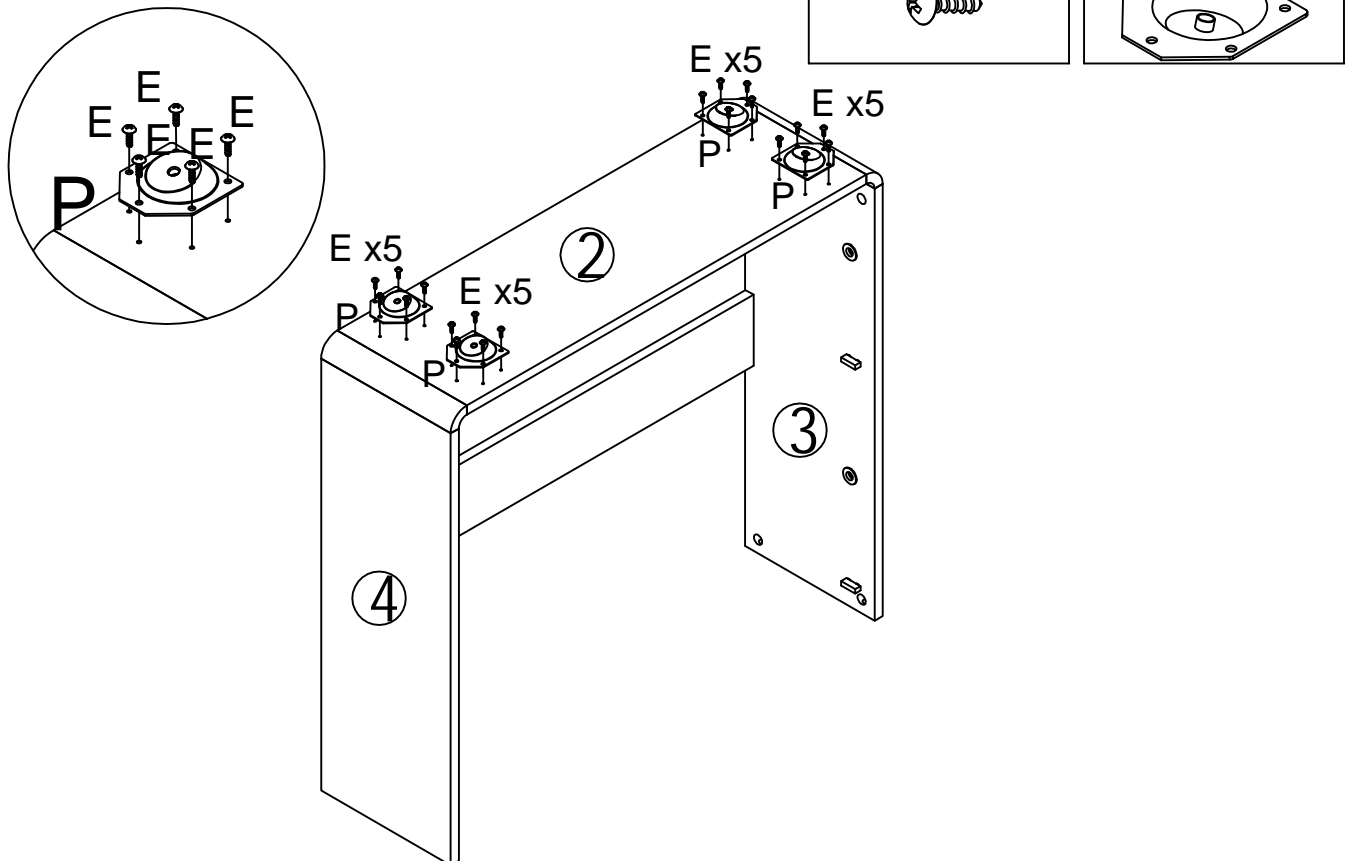
B	x4	M	x4	C	x2
					



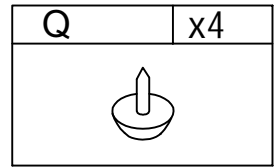
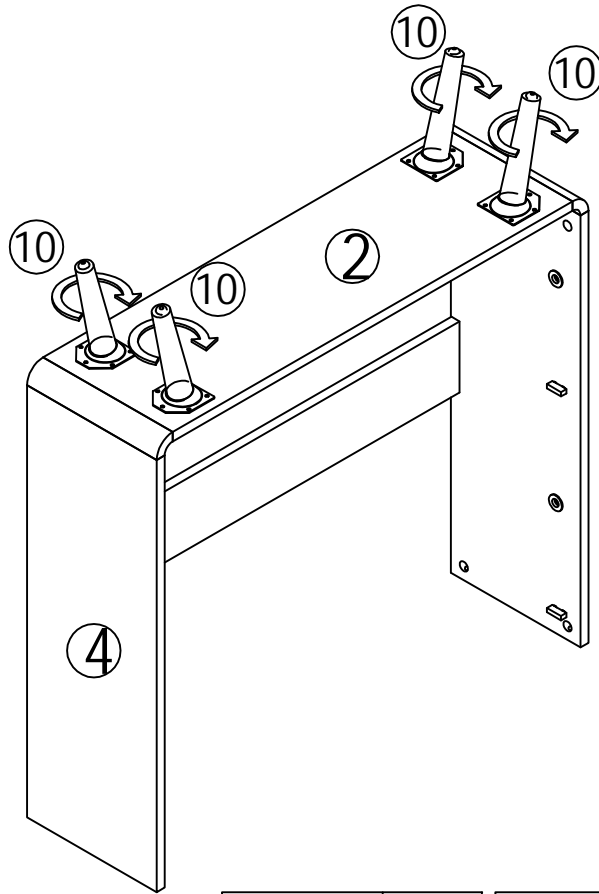
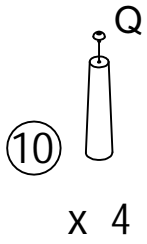
Step 7



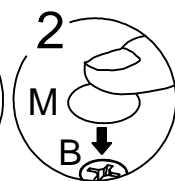
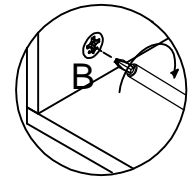
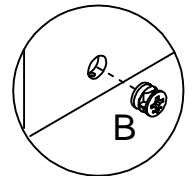
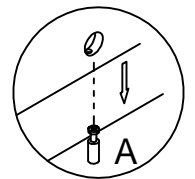
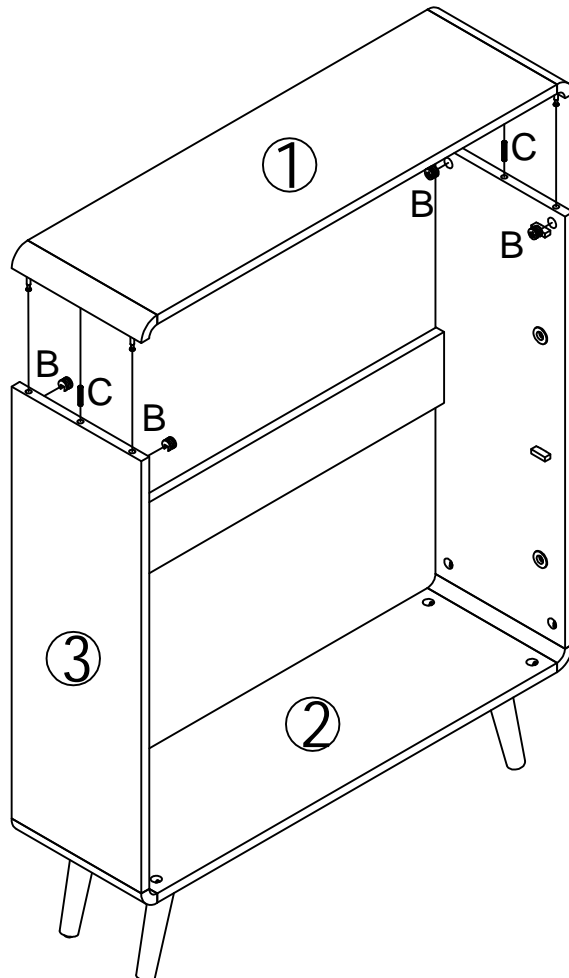
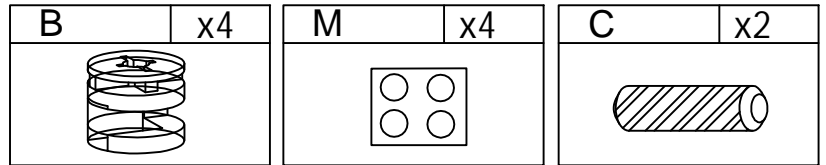
Step 8



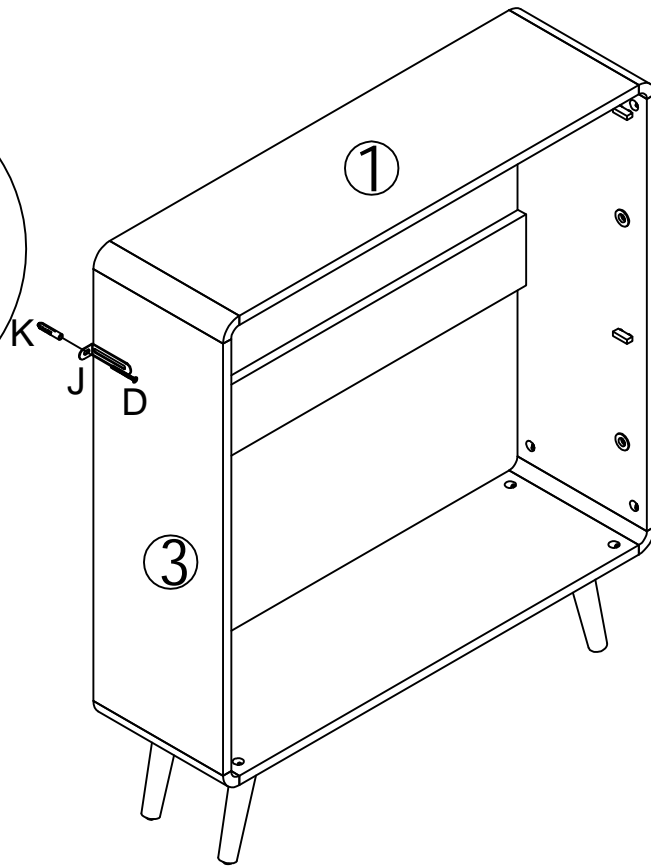
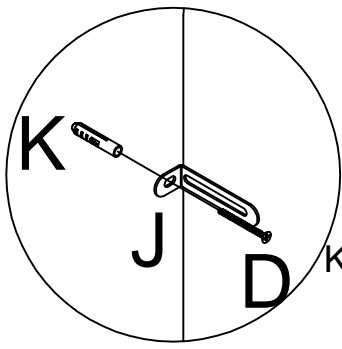
Step 9

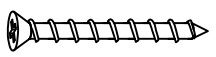



Step 10

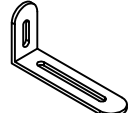


Step 11

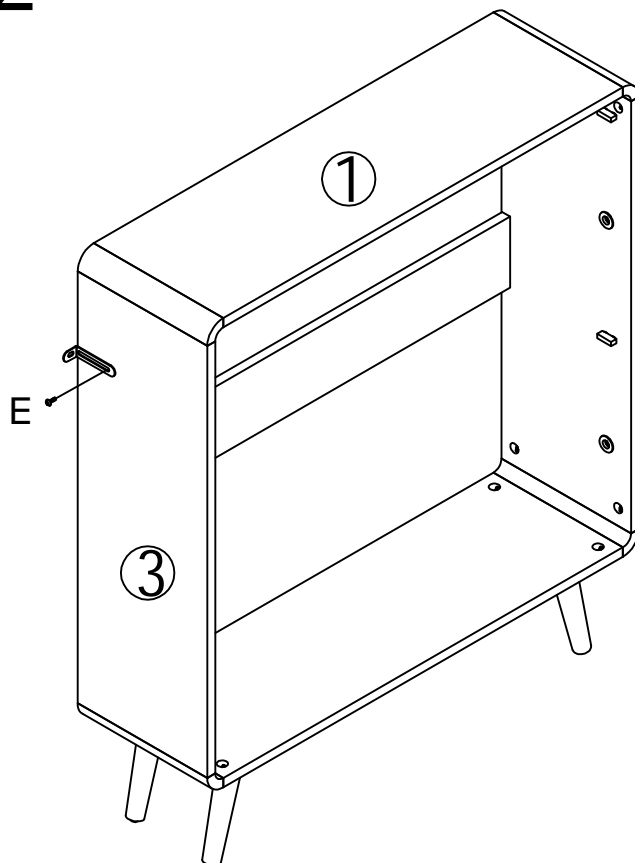
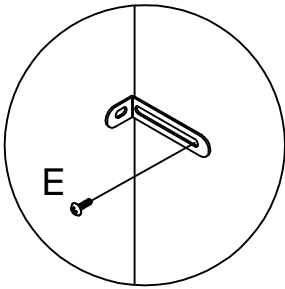



D	x 2
	

K	x 2
	

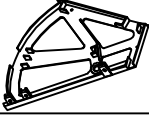

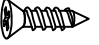
J	x 2
	

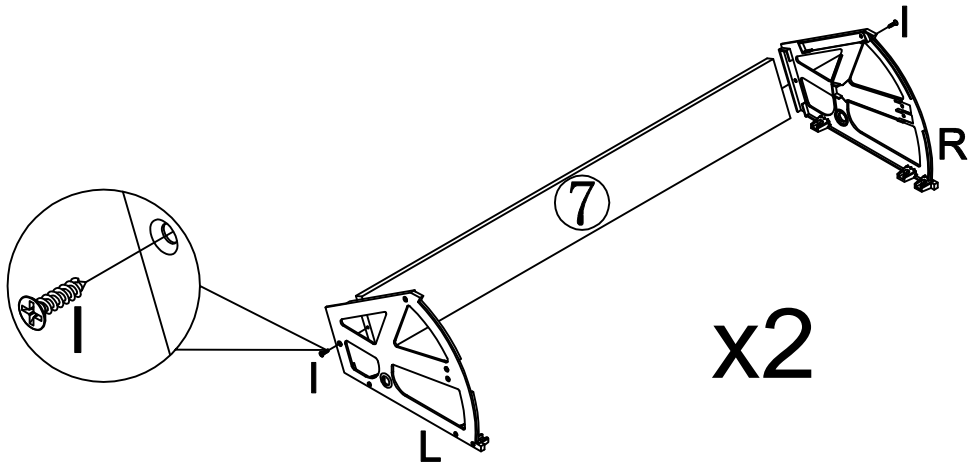
Step 12




E	x2
	

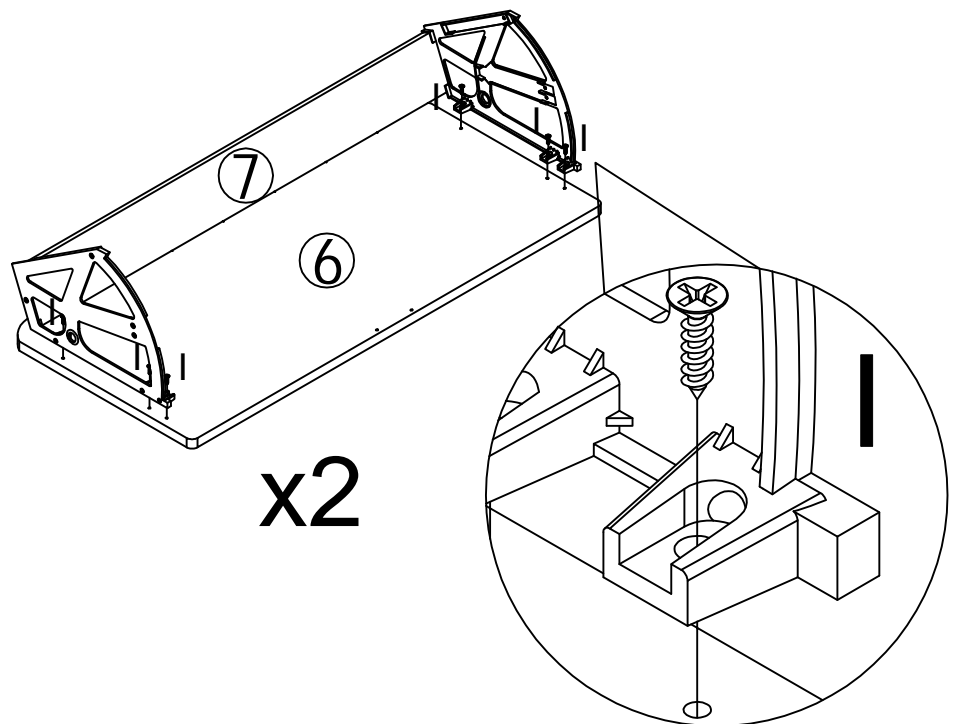
Step 13

L	x 2	R	x 2	I	x 4
					




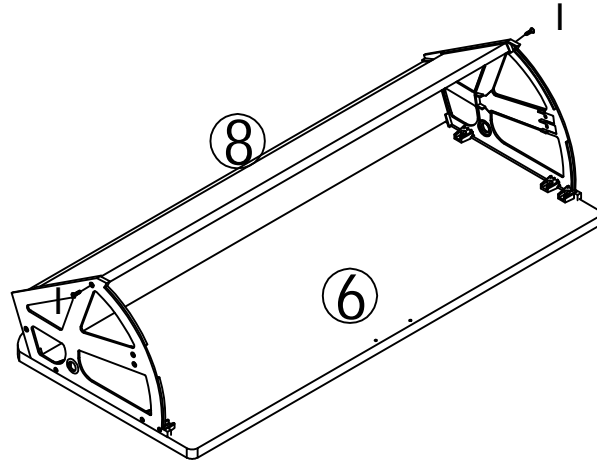
Step 14

I	x12
	



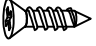
Step 15


I	x 4
	

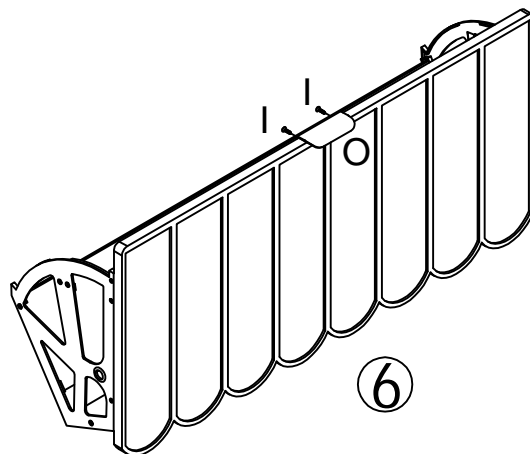


x2

Step 16



I	x 4
	

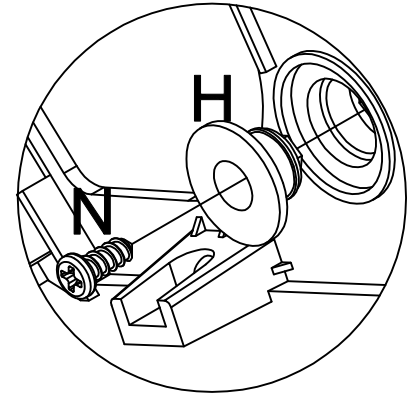
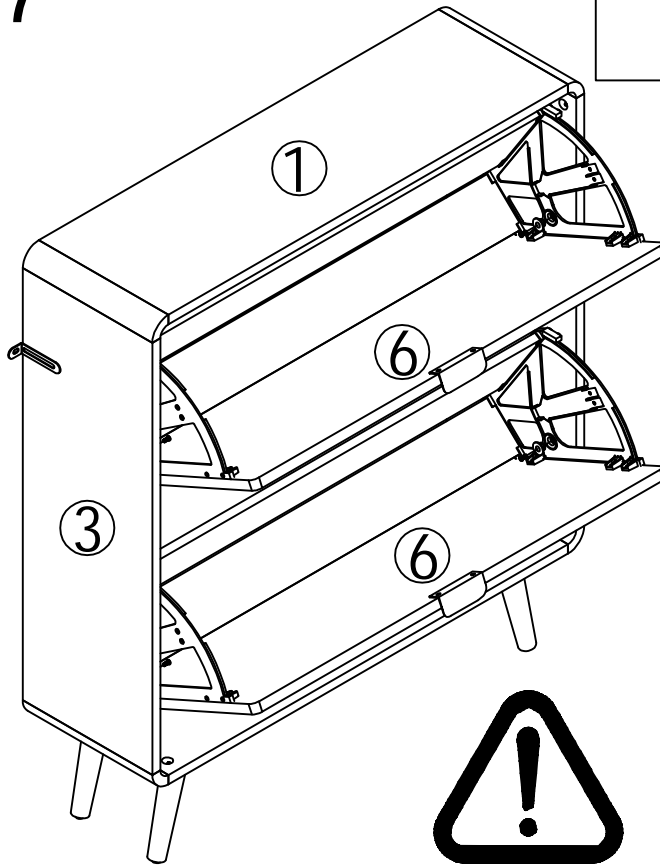
O	x 2
	



x2


Step 17

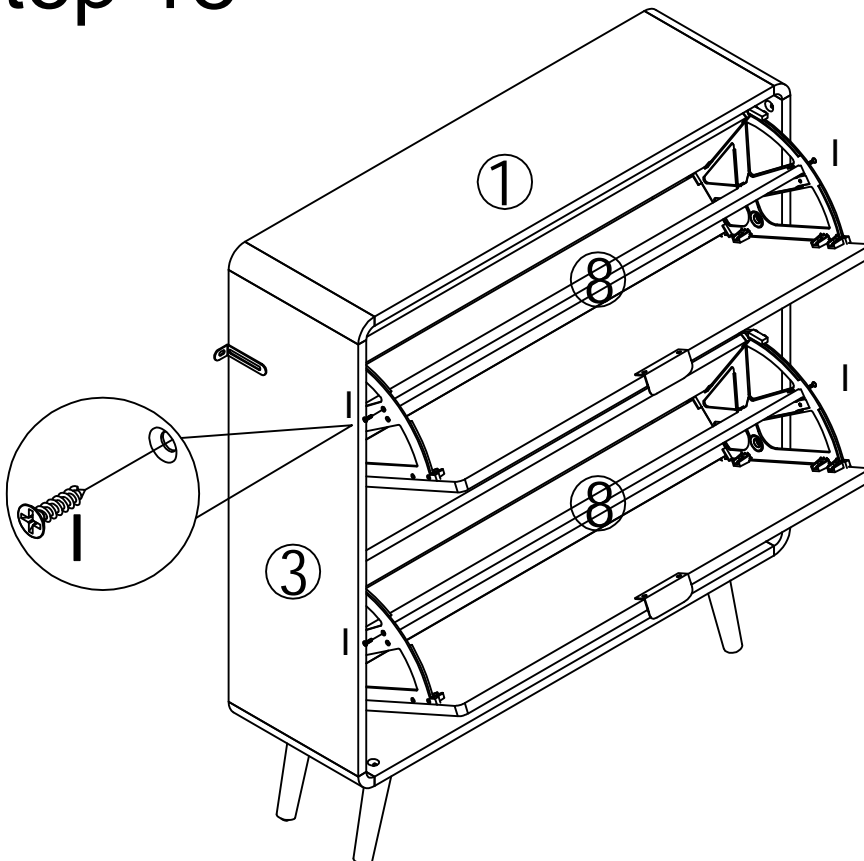
H	×4	N	×4
			

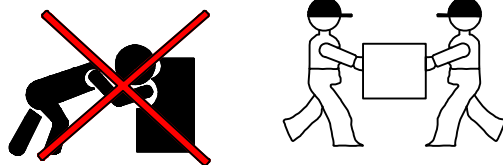
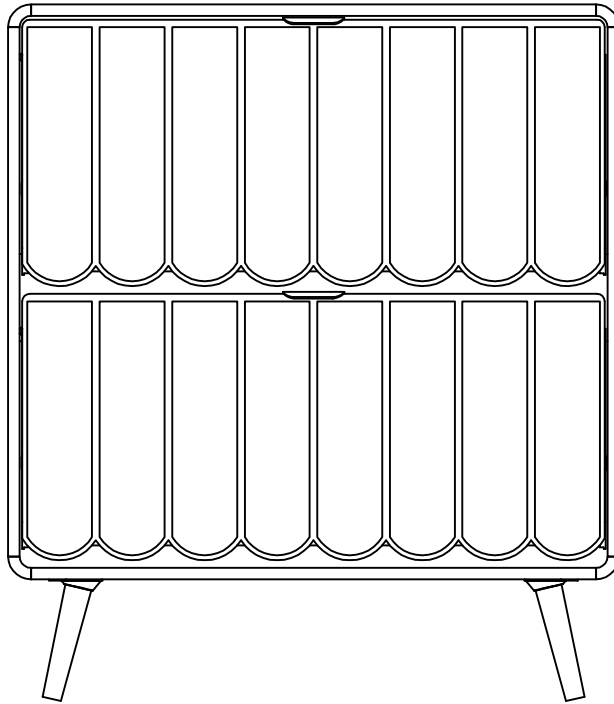


Take care to lock part N to the middle hole of part F. through Part H. Otherwise, the part F of the accessory will be damaged, resulting in failure to lock.

Step 18

I	×4
	





Two people work together to move the table.
Make sure you lift it off the ground.
Don't push and pull.