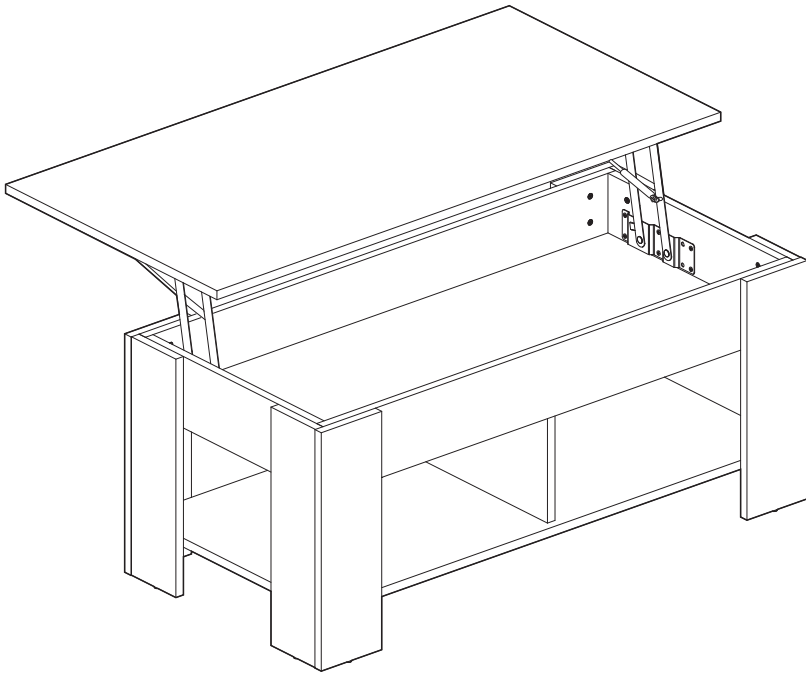
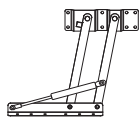
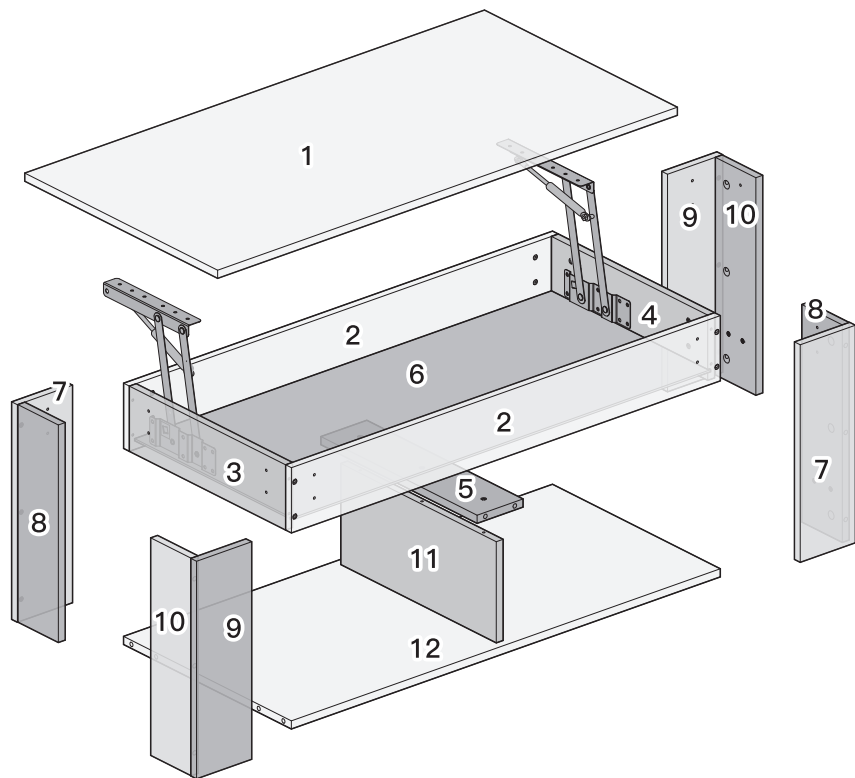


INSTRUCTION MANUAL

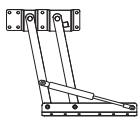


Coffee Table

Supplied Parts and Hardware



Lift Assembly
[A] x 1



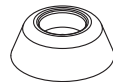
Lift Assembly
[B] x 1



Cam Bolt
[C] x 24



Cam Lock
[D] x 24



Bumper
[E] x 6



Slider
[F] x 8



Short Screw
M3.5 x 14mm
[G] x 36

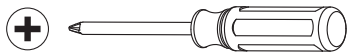


Medium Screw
M3.5 x 25mm
[H] x 16

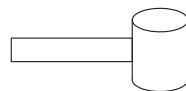


Long Screw
M3.5 x 35mm
[I] x 14

Tools Needed (NOT Included)

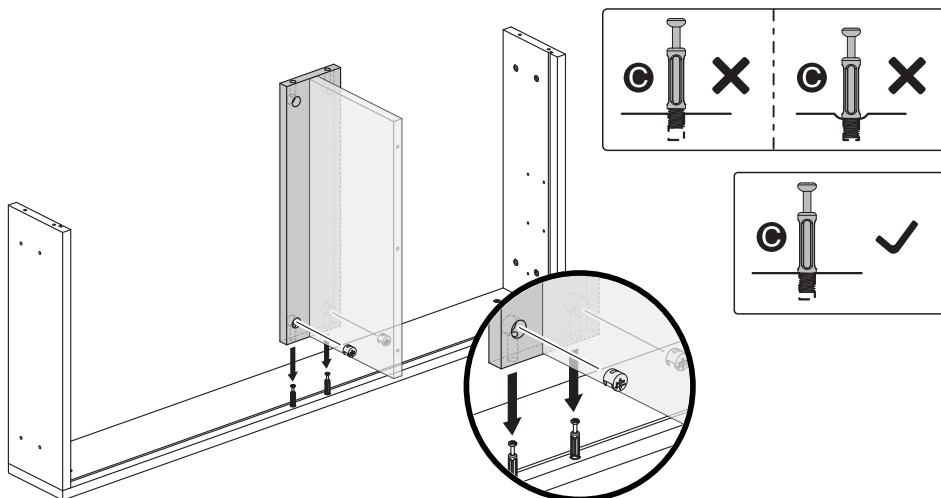


Phillips Screwdriver

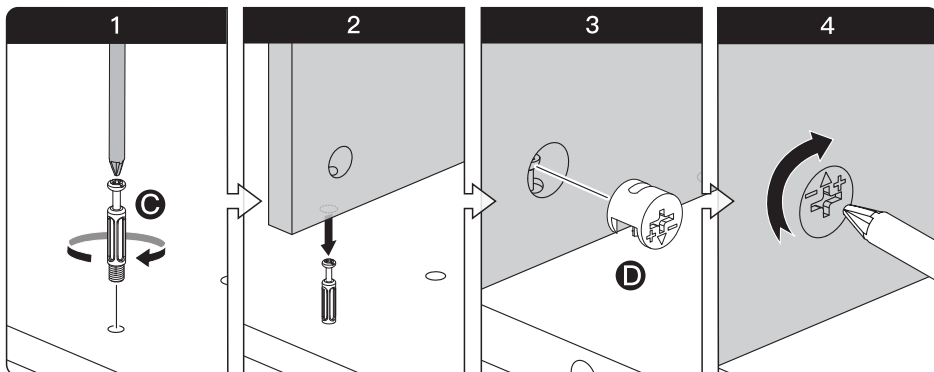


Rubber Mallet

Using the Cam Lock System



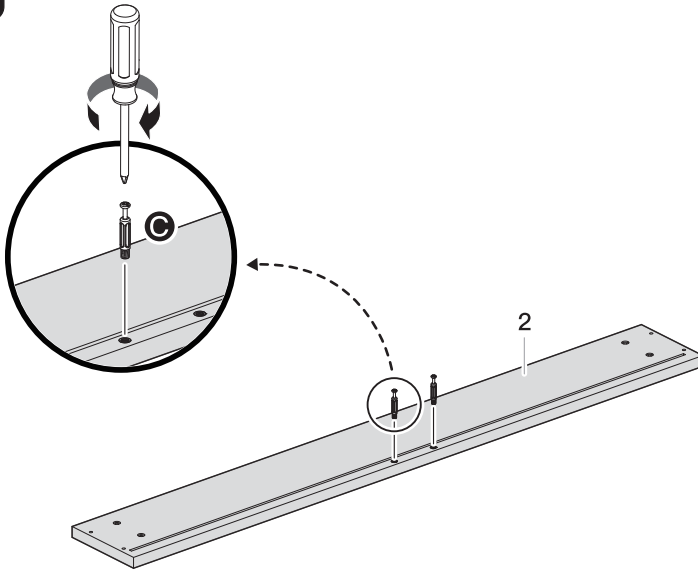
1. Screw cam bolt [C] into the threaded hole on the panel.
2. Connect both panels together. Make sure cam bolt [C] goes into the pre-drilled hole on the end of the panel for cam lock [D].
3. Insert cam lock [D] into the large hole on the panel. Make sure the open slot faces the head of the cam bolt [C].
4. Rotate cam lock [D] clockwise with a Phillips screwdriver to lock the cam bolt [C] in place.



Step 1

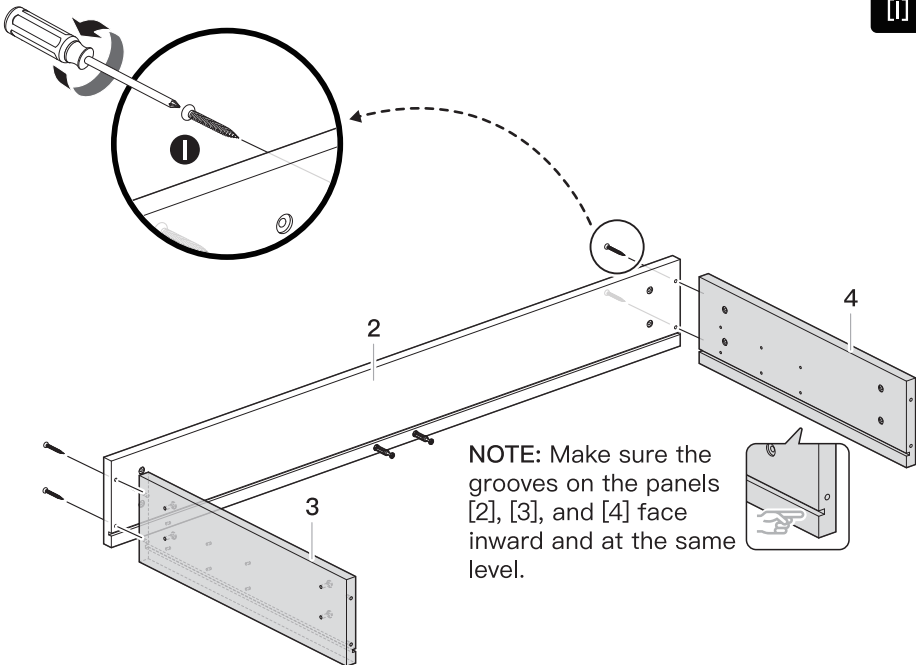
[2] x 1

[C] x 2



[3] x 1 [4] x 1

[] x 4

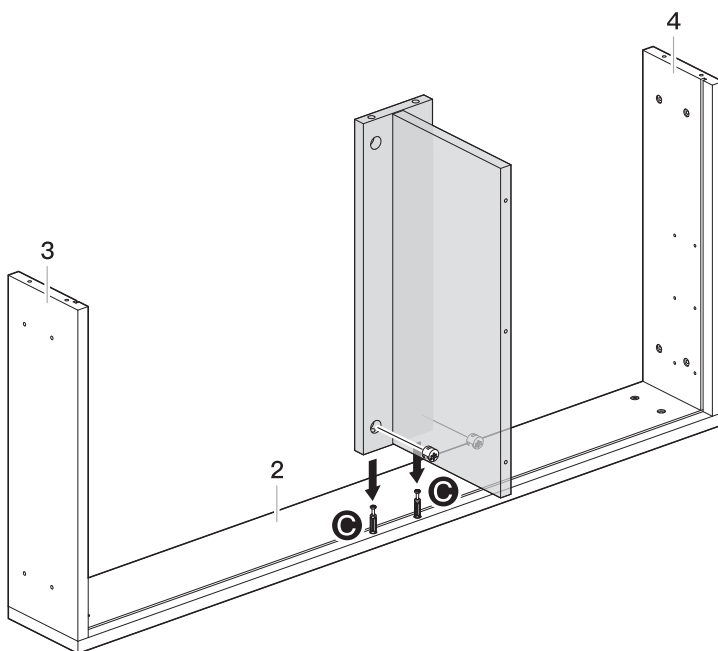
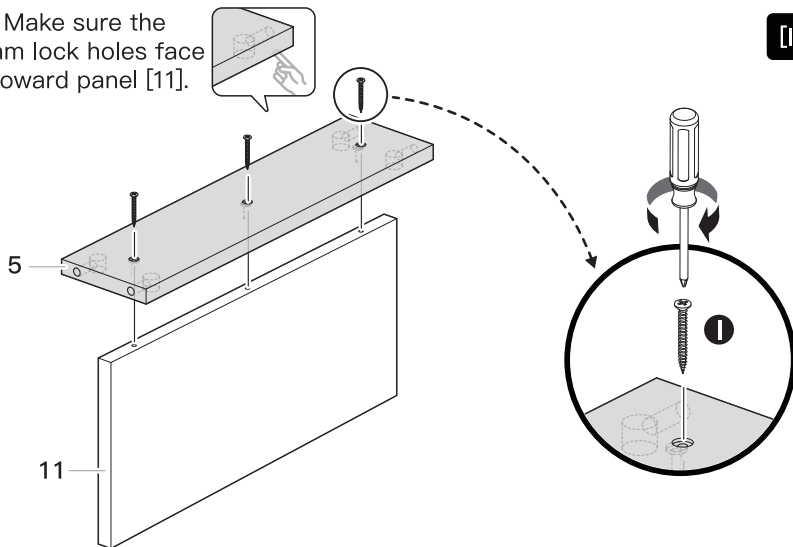


Step 2

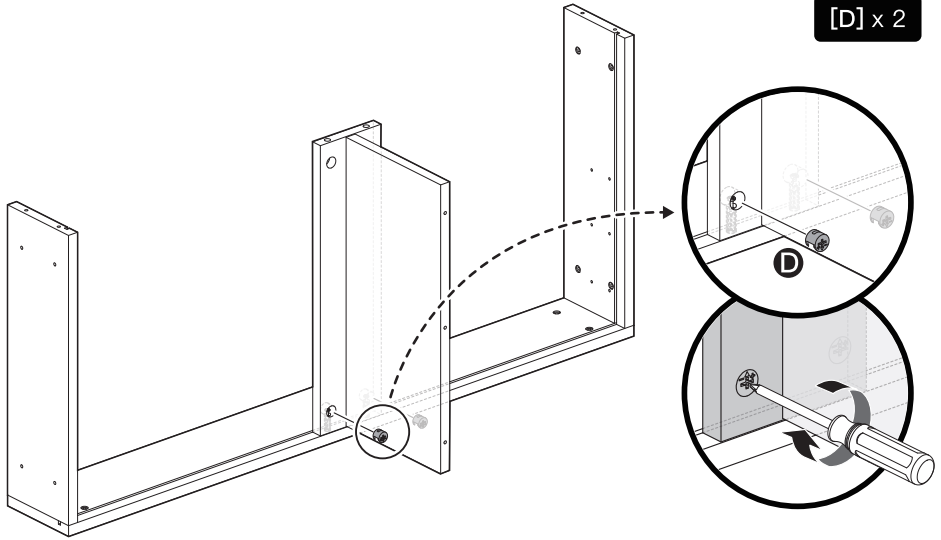
[5] x 1 [11] x 1

[] x 3

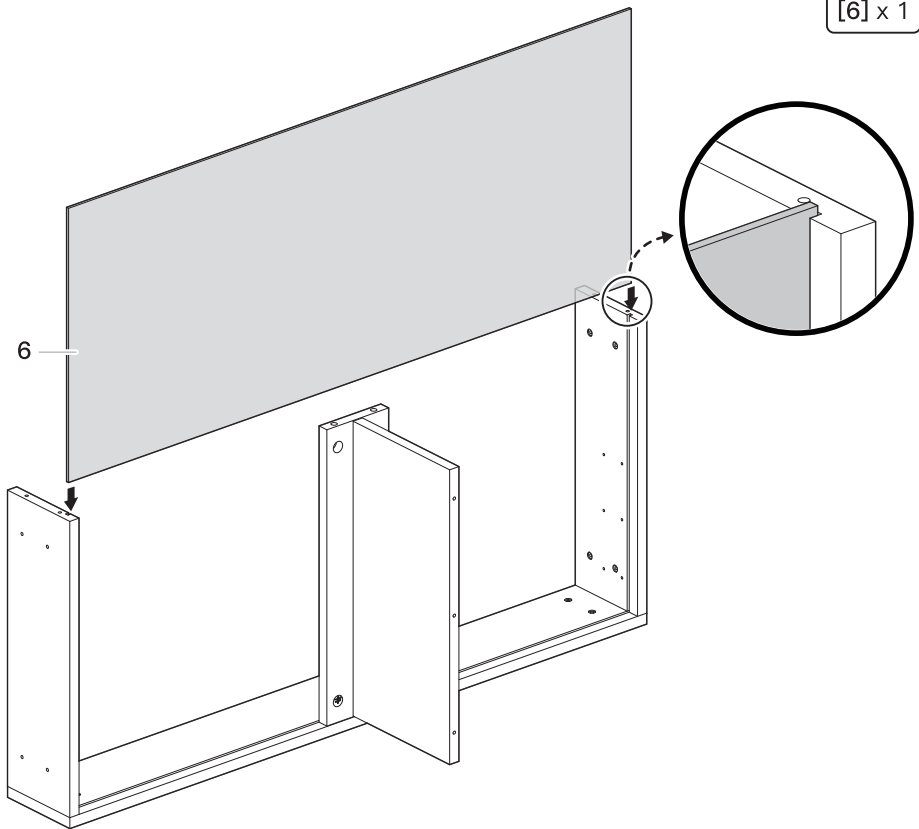
NOTE: Make sure the four cam lock holes face down toward panel [11].



[D] x 2



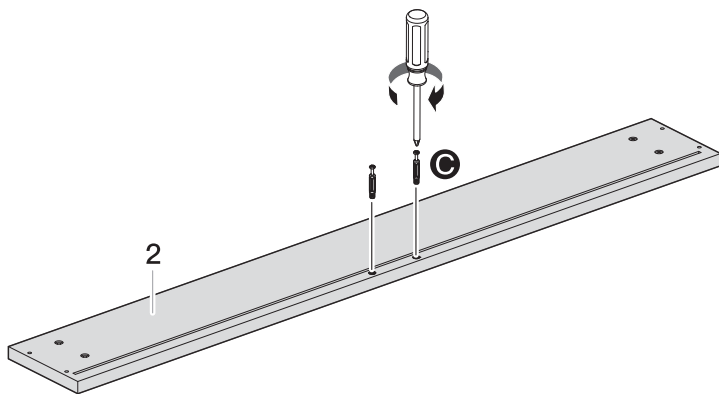
[6] x 1



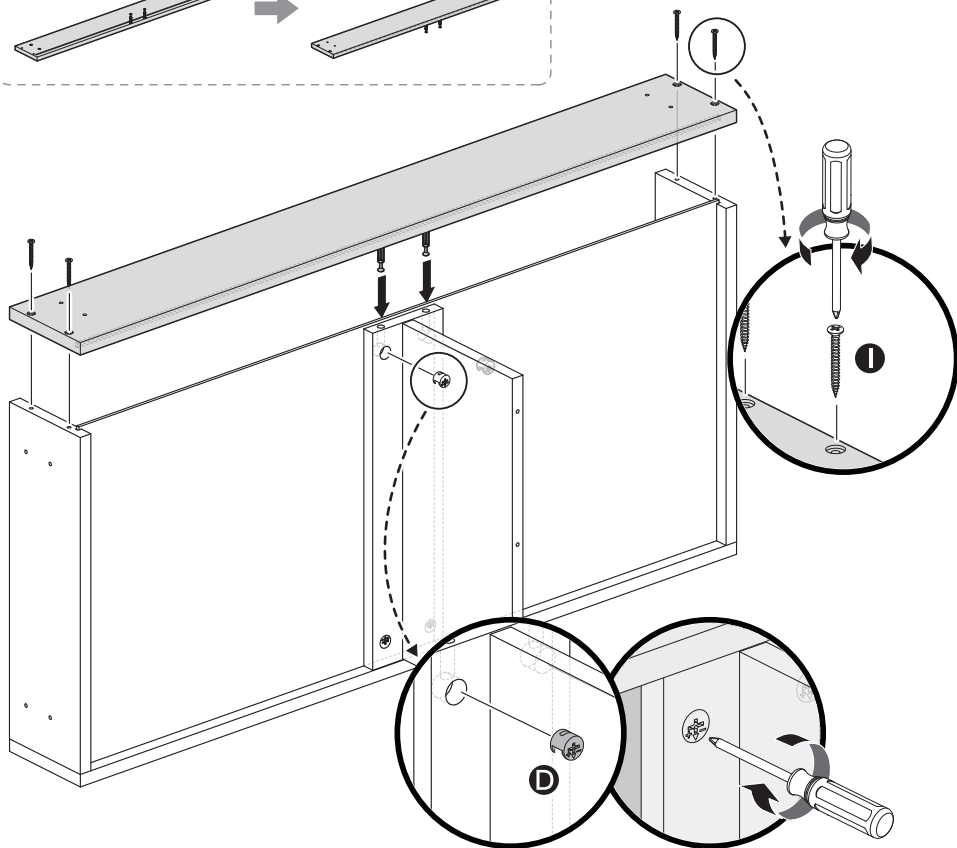
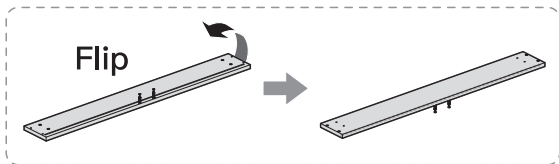
Step 3

[2] x 1

[C] x 2



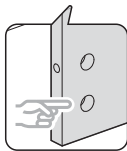
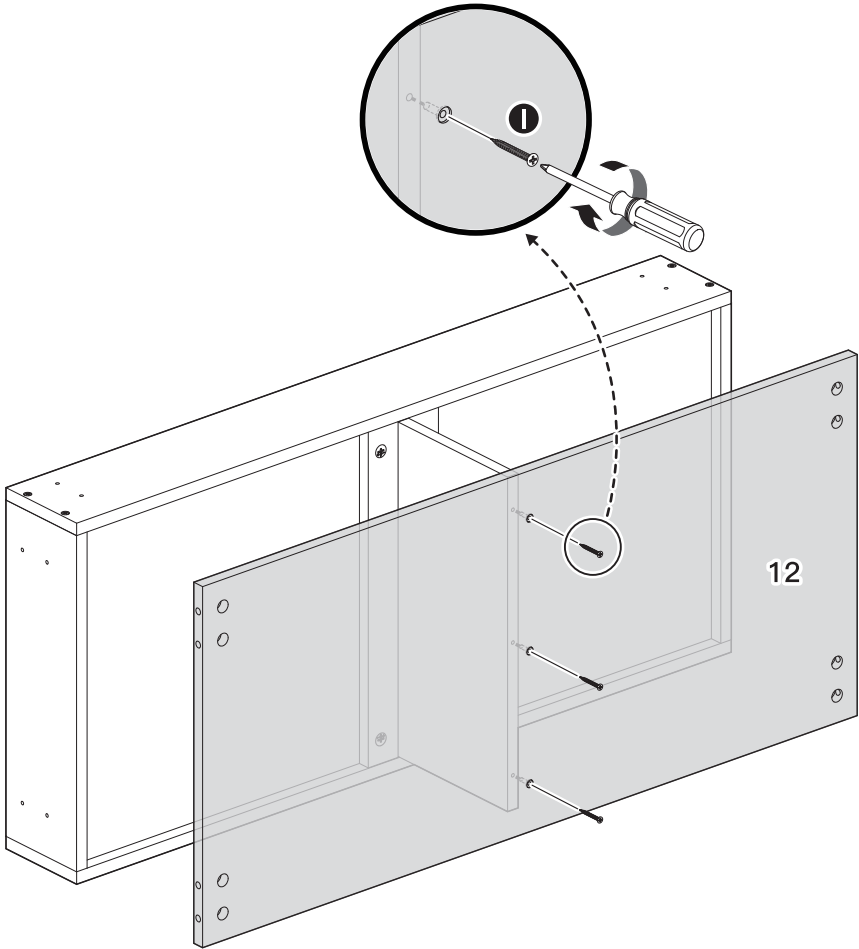
[D] x 2 [I] x 4



Step 4

[12] x 1

[1] x 3

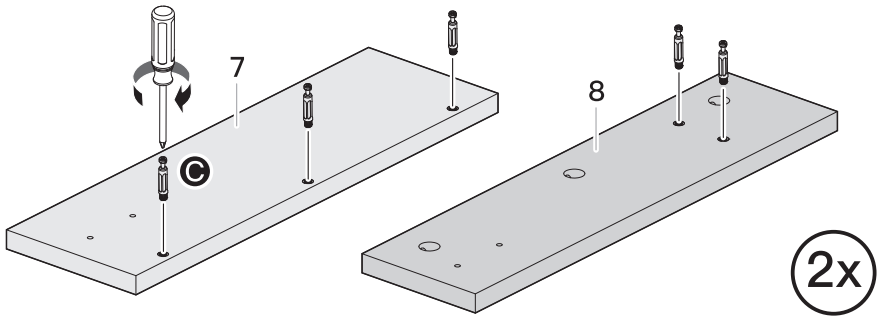


NOTE: The cam lock holes should face out in this step.

Step 5

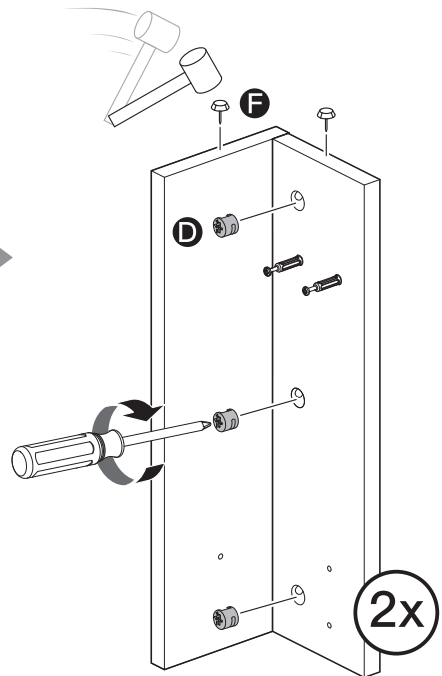
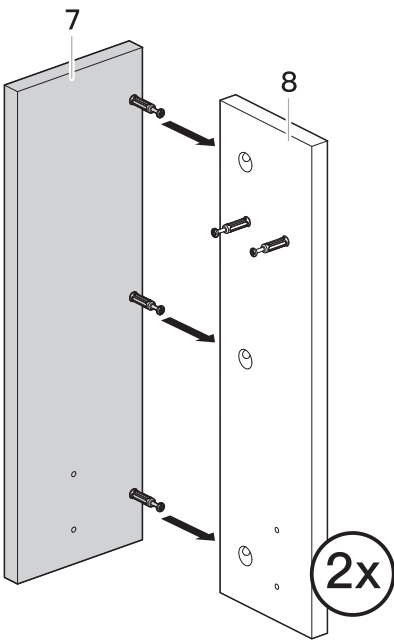
[7] x 2 [8] x 2

[C] x 10



[D] x 6 [F] x 4

NOTE: There are no pilot holes for the sliders. Use a mallet to gently tap the sliders into the panels at equal distances from the corner.

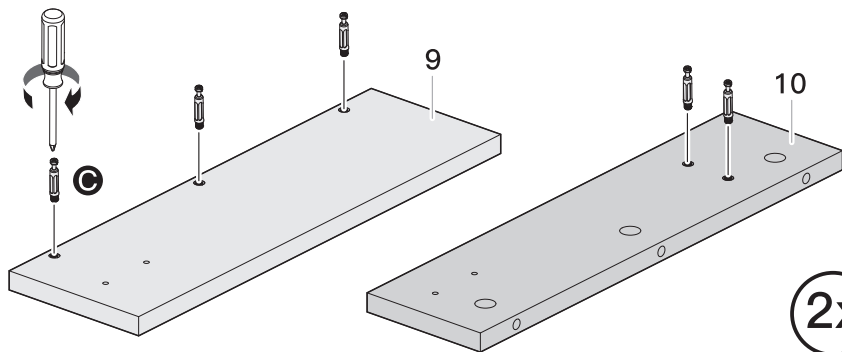


NOTE: Position the holes on panels [7] and [8] at the bottom in this step.

Step 6

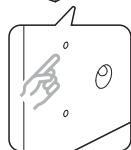
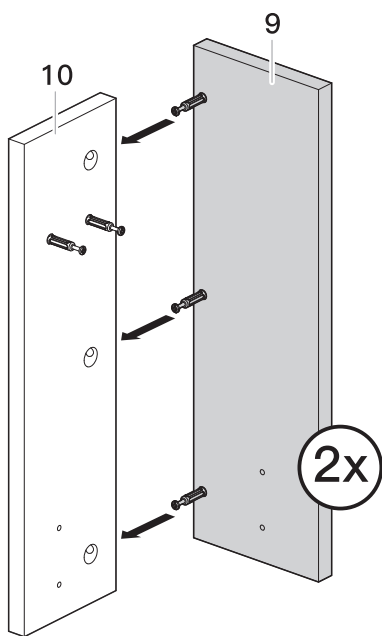
[9] x 2 [10] x 2

[C] x 10

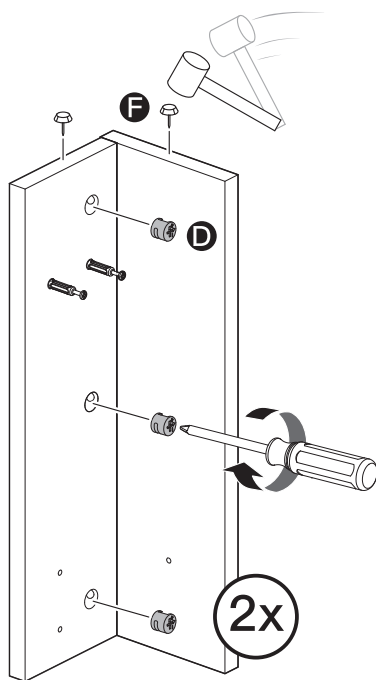


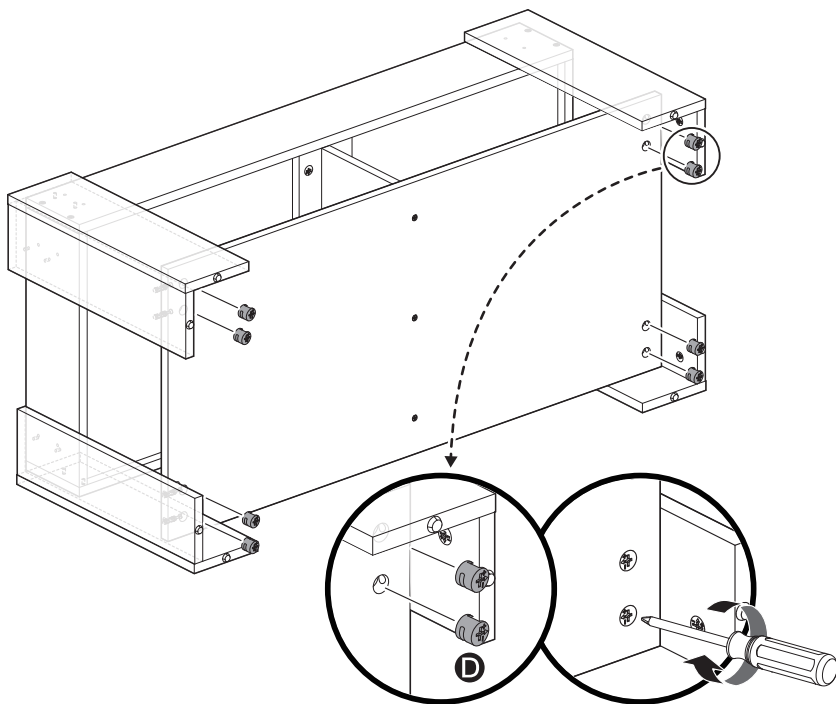
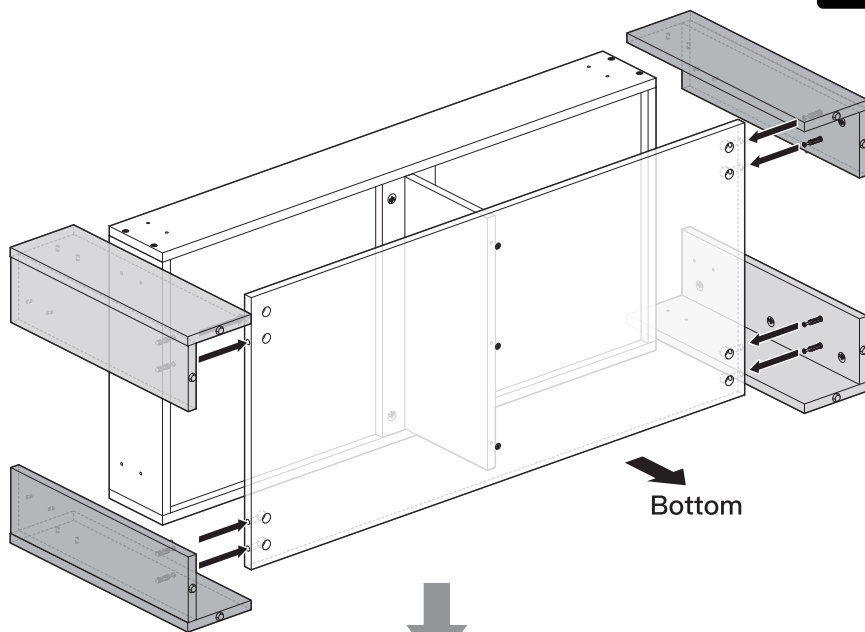
[D] x 6 [F] x 4

NOTE: There are no pilot holes for the sliders. Use a mallet to gently tap the sliders into the panels at equal distances from the corner.

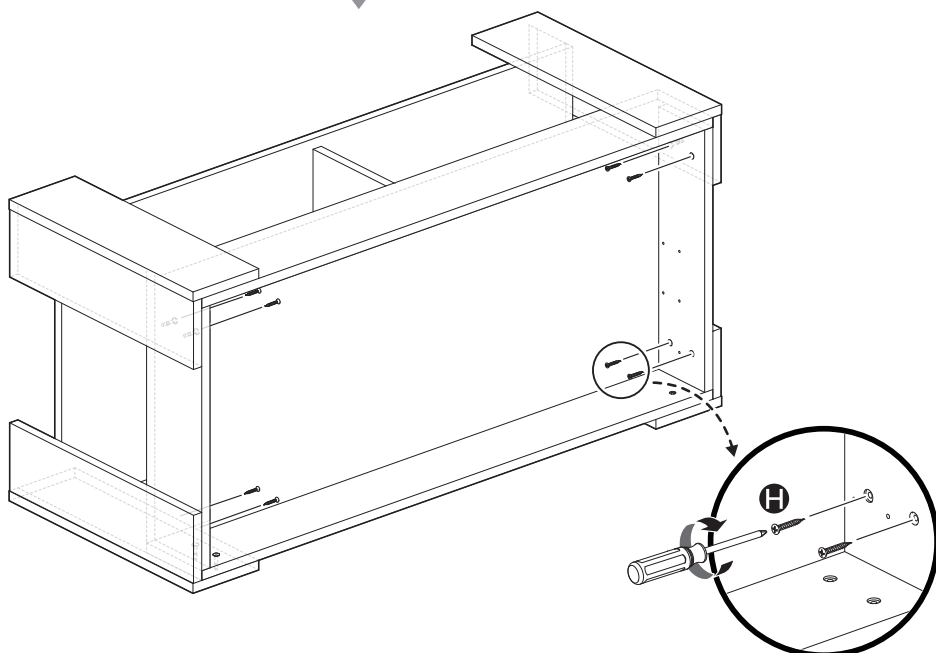
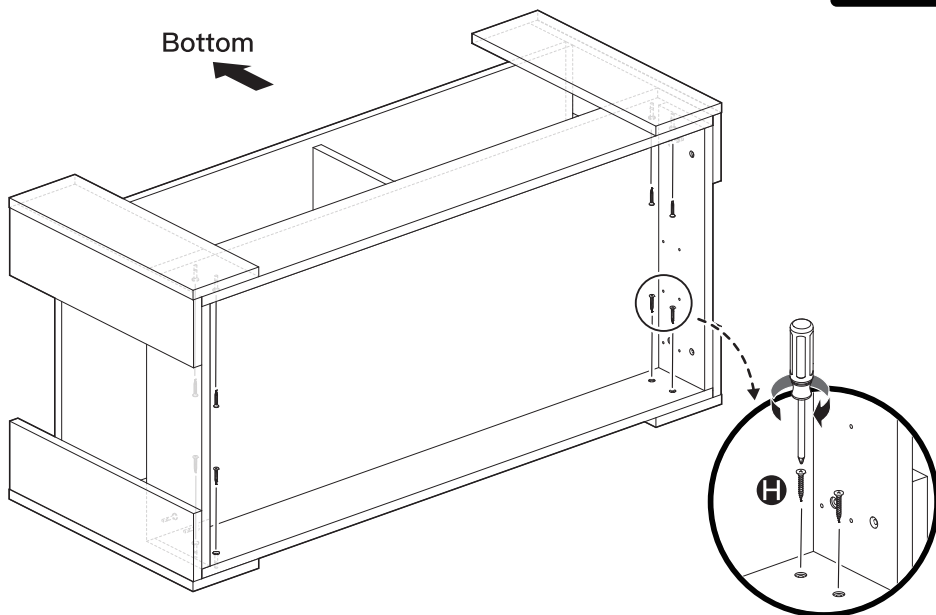


NOTE: Position the holes on panels [9] and [10] at the bottom in this step.





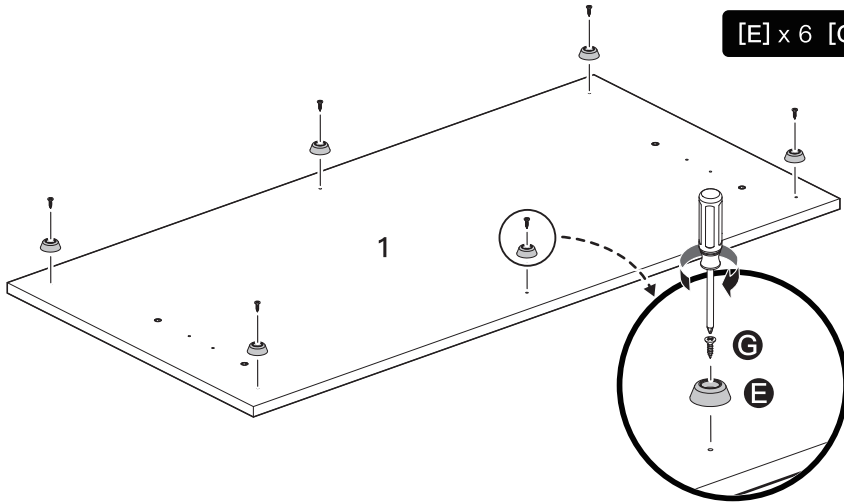
Bottom



Step 9

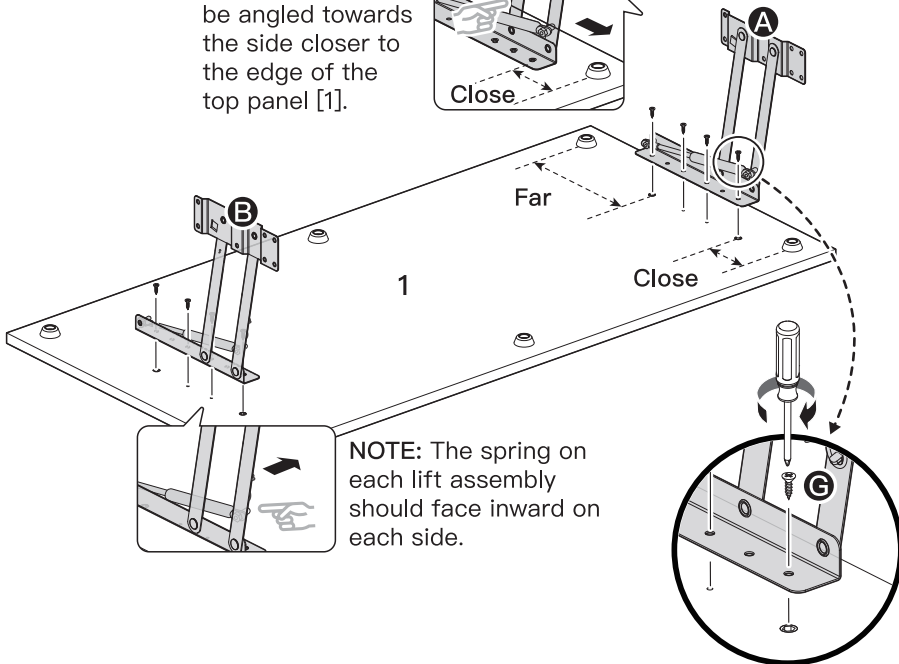
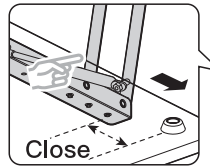
[1] x 1

[E] x 6 [G] x 6



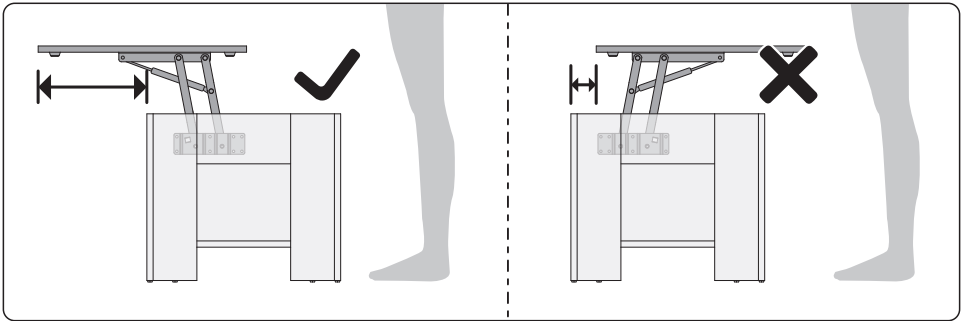
[A] x 1 [B] x 1 [G] x 8

NOTE: The lift assembly should be angled towards the side closer to the edge of the top panel [1].



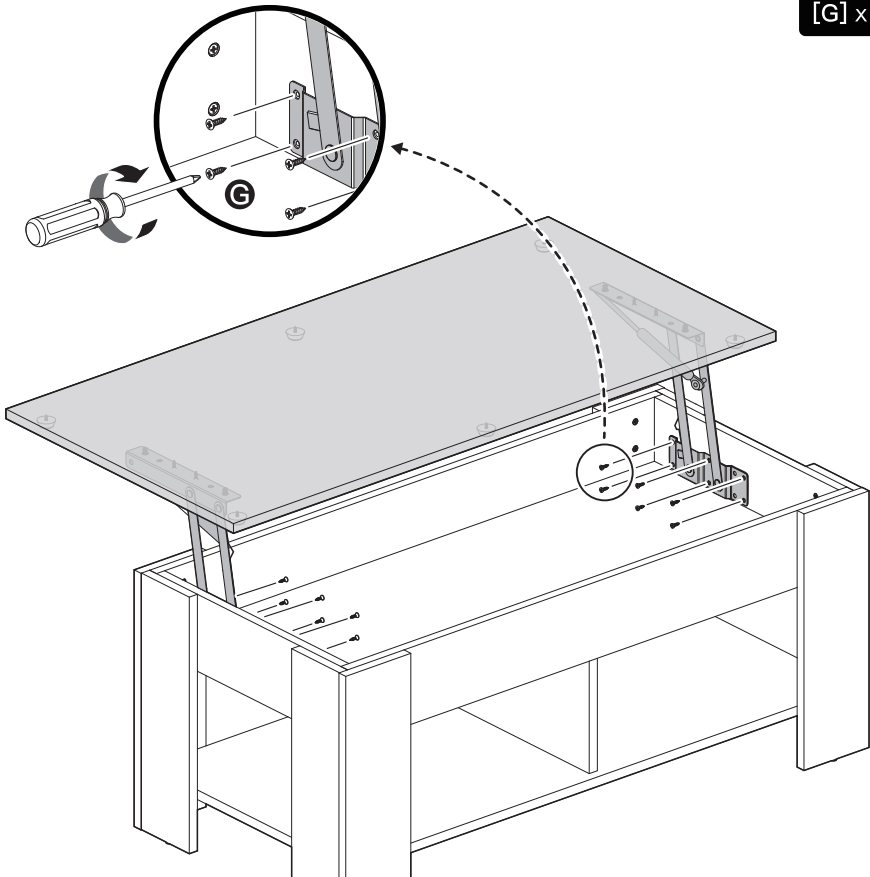
NOTE: The spring on each lift assembly should face inward on each side.

Step 10



NOTE: The top panel should open away from the table. Please refer to the correct configuration above.

[G] x 12



HEAVY! You may need assistance with this step.