

Assembly Instructions

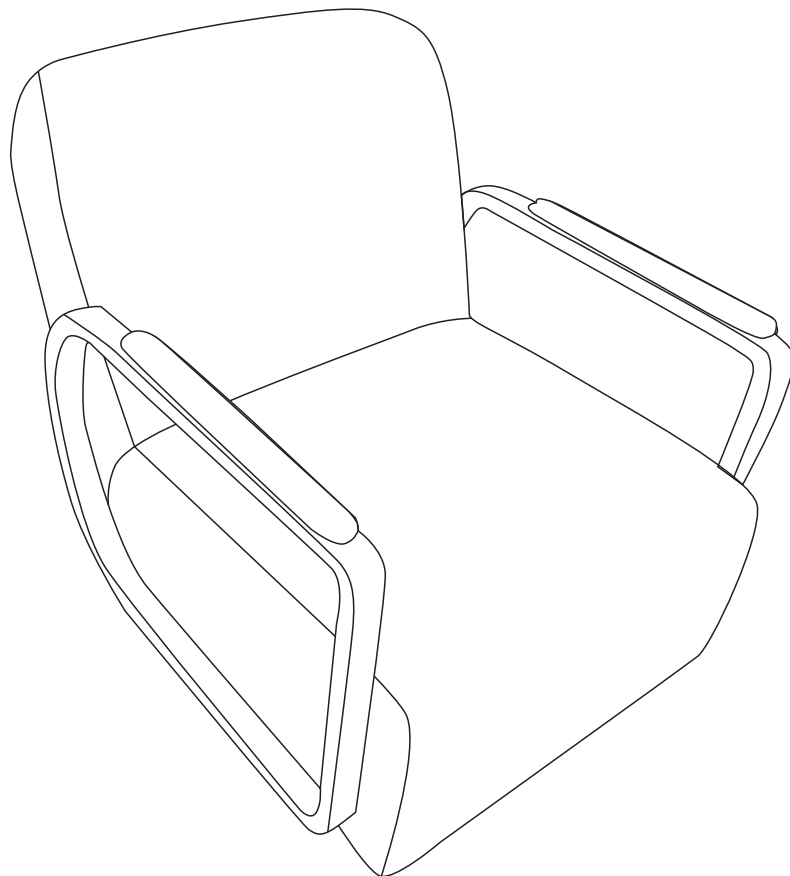
Friendly Reminder:

1. **Patience with Cushions:** The cushions are vacuum-packed. After unpacking, please allow them to air out for 72 hours or gently tap them to restore their shape. Wrinkles may appear during initial use—don't worry! They will disappear with regular use, and steam ironing can speed up the process!

2. **Build First, Unpack After:** For the easiest setup, assemble the sofa frame completely before unsealing the compressed cushions.

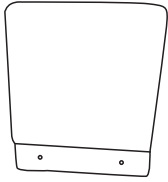
3. **Need Help?** If any parts are missing or damaged (please take photos for reference), feel free to contact us—our support team will assist you promptly!

Thanks for choosing us—Your comfort zone starts here!



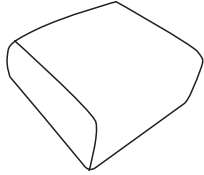
PARTS LIST

A



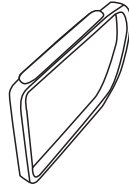
1pc

B



1pcs

C



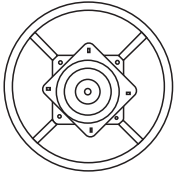
1pcs

D



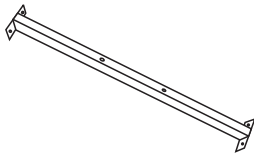
1pcs

E



1pcs

F



2pcs

HARDWARE

G

M8x60mm



6pcs

H

M8x35mm



4pcs

I

M6x18mm



12pcs

J



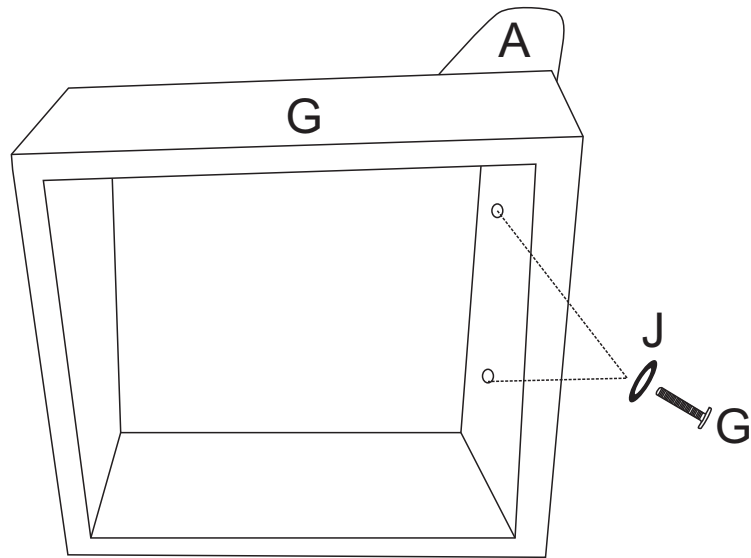
6pcs

K

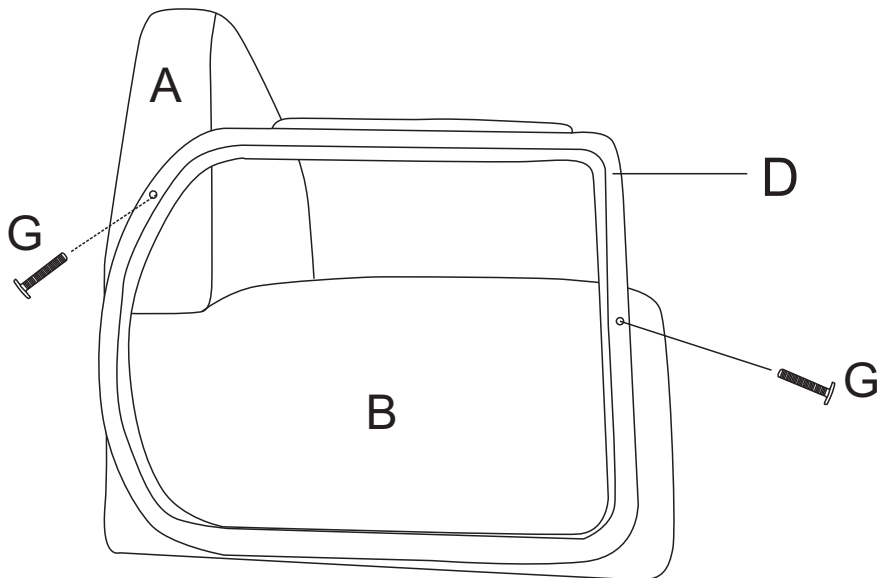


1pcs

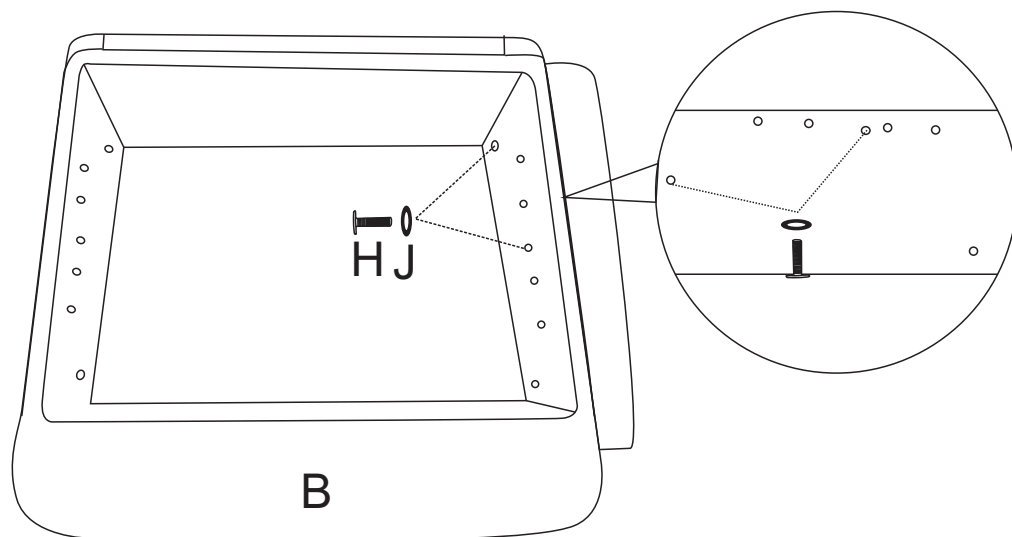
STEP 1:



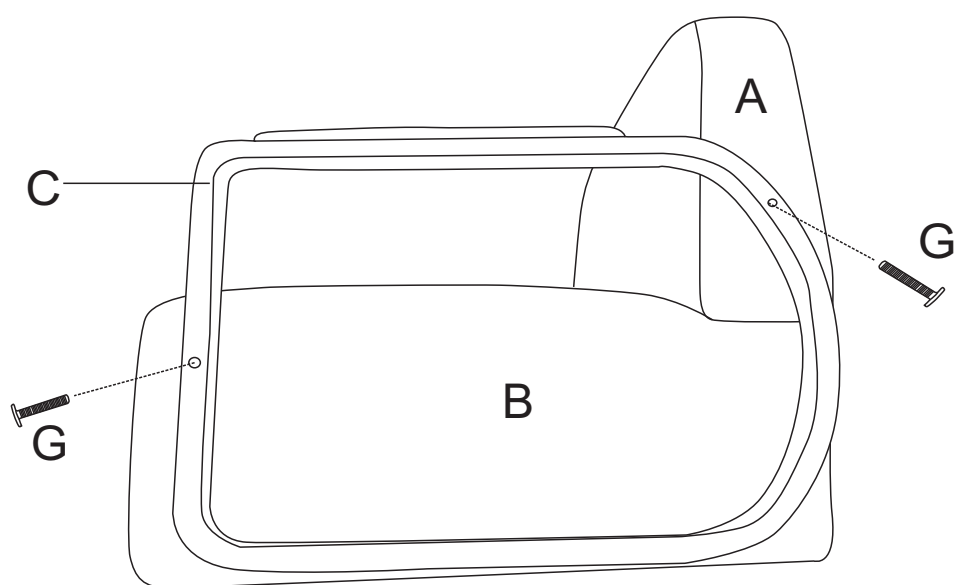
STEP 2:



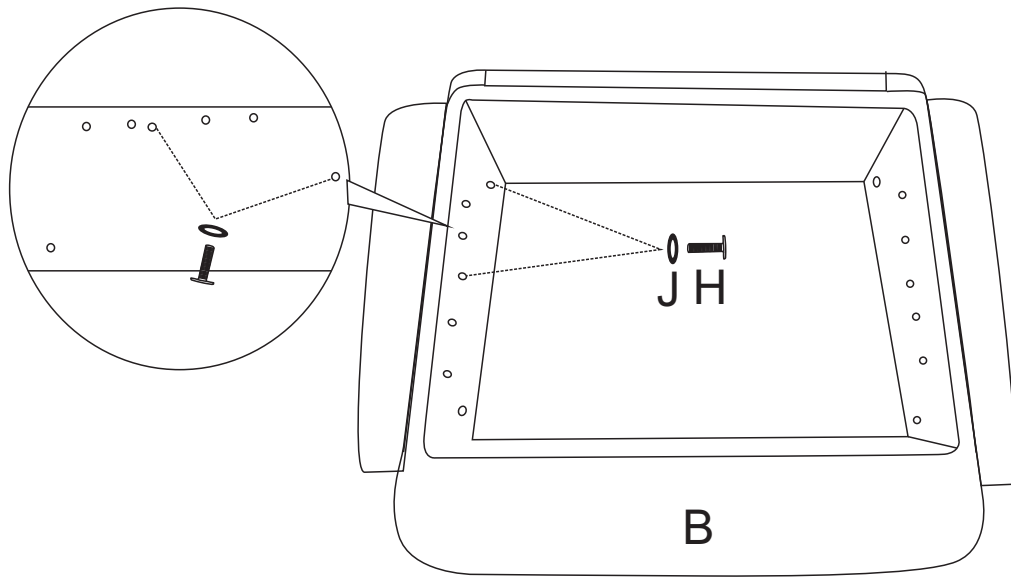
STEP 3:



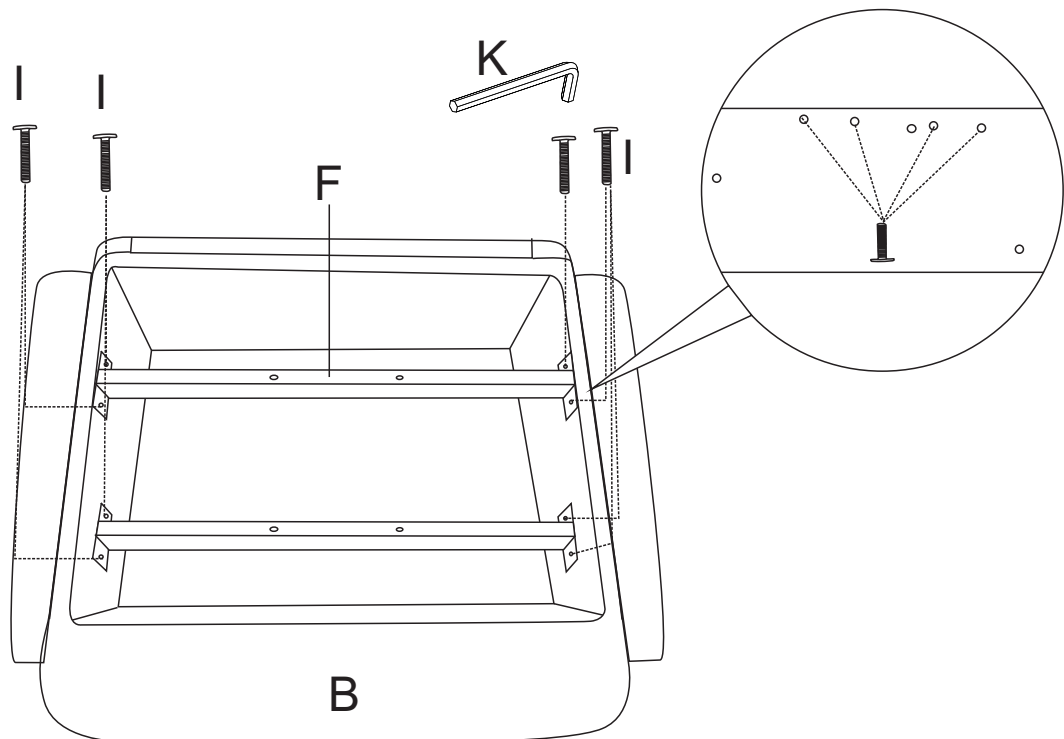
STEP 4:



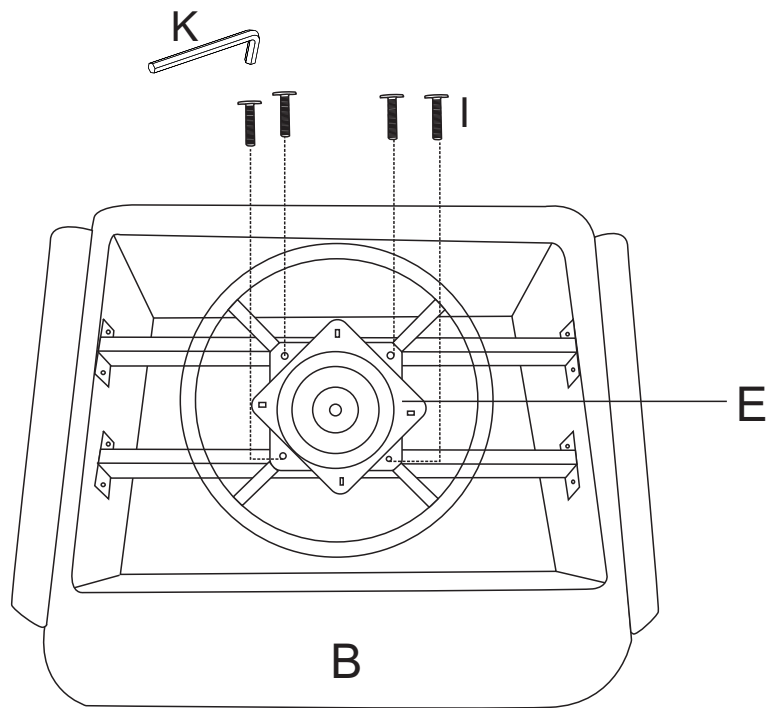
STEP 5:



STEP 6:



STEP 7:



STEP:8

