










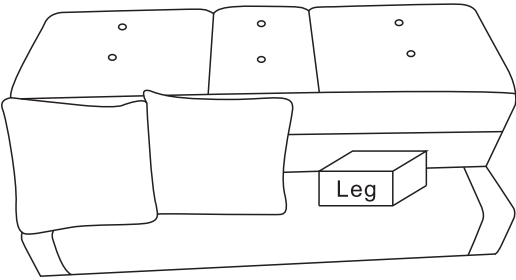
# THE ASSEMBLY INSTRUCTION

Before you begin, please follow below assembly instruction step by step.

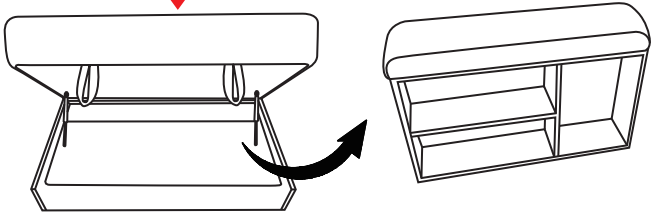
## Accessories

NO.	A	B	C	D	E	F	G	H	I
Shape									
Nnumber	9x	2x	2x	2x	2x	2x	1x	1x	2x

**1**

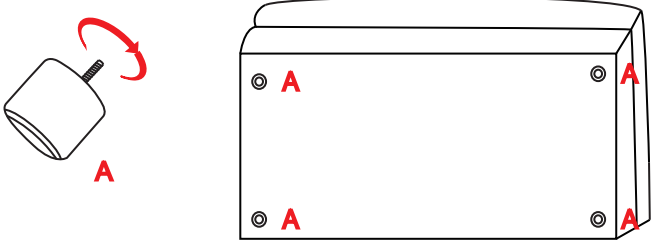


**2** ↓ press it down

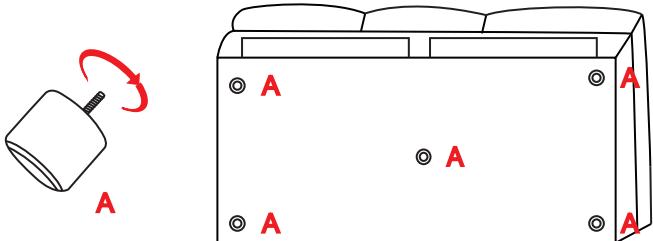


You need to press the ottoman down a little bit, so that armrest can be taken out from inside the ottoman. Otherwise, the armrest is likely to break and cannot be removed.

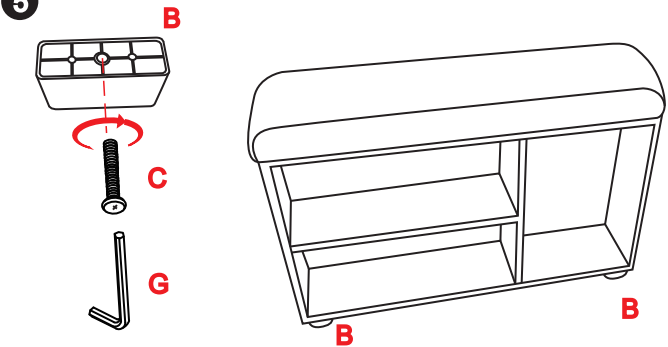
**3**



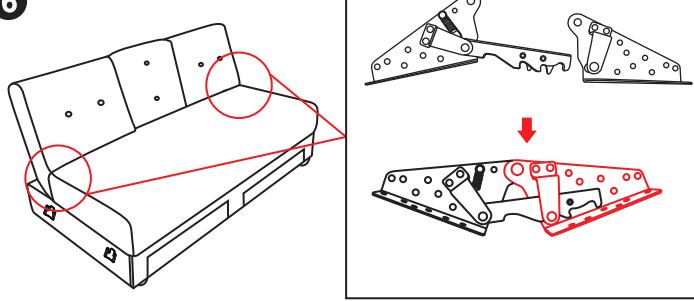
**4**



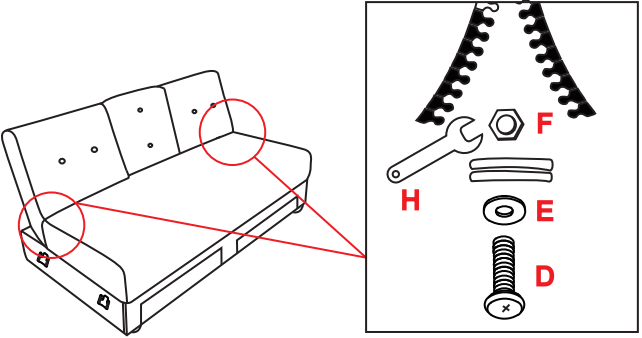
**5**



**6**



**7**



**8**

