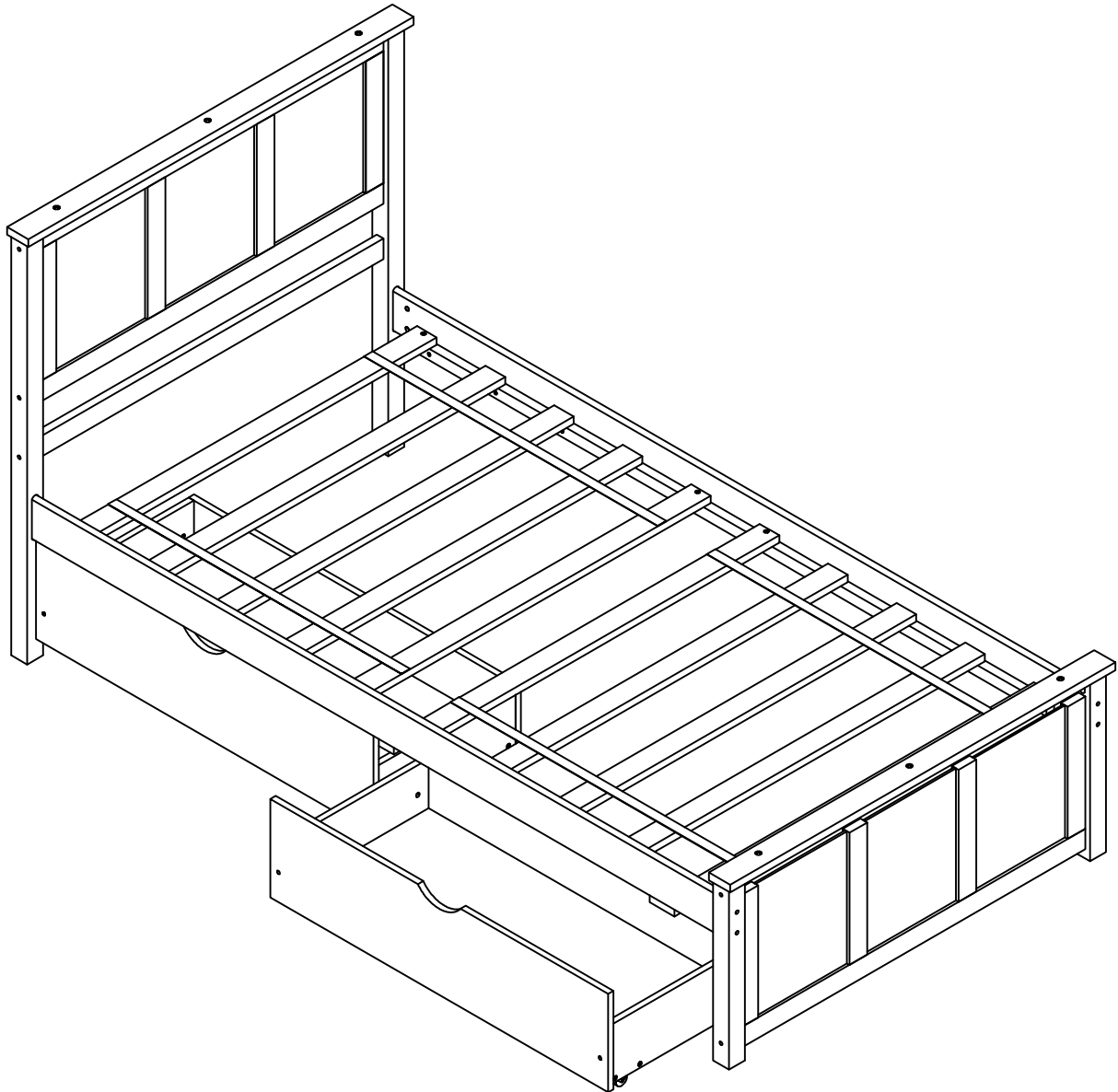


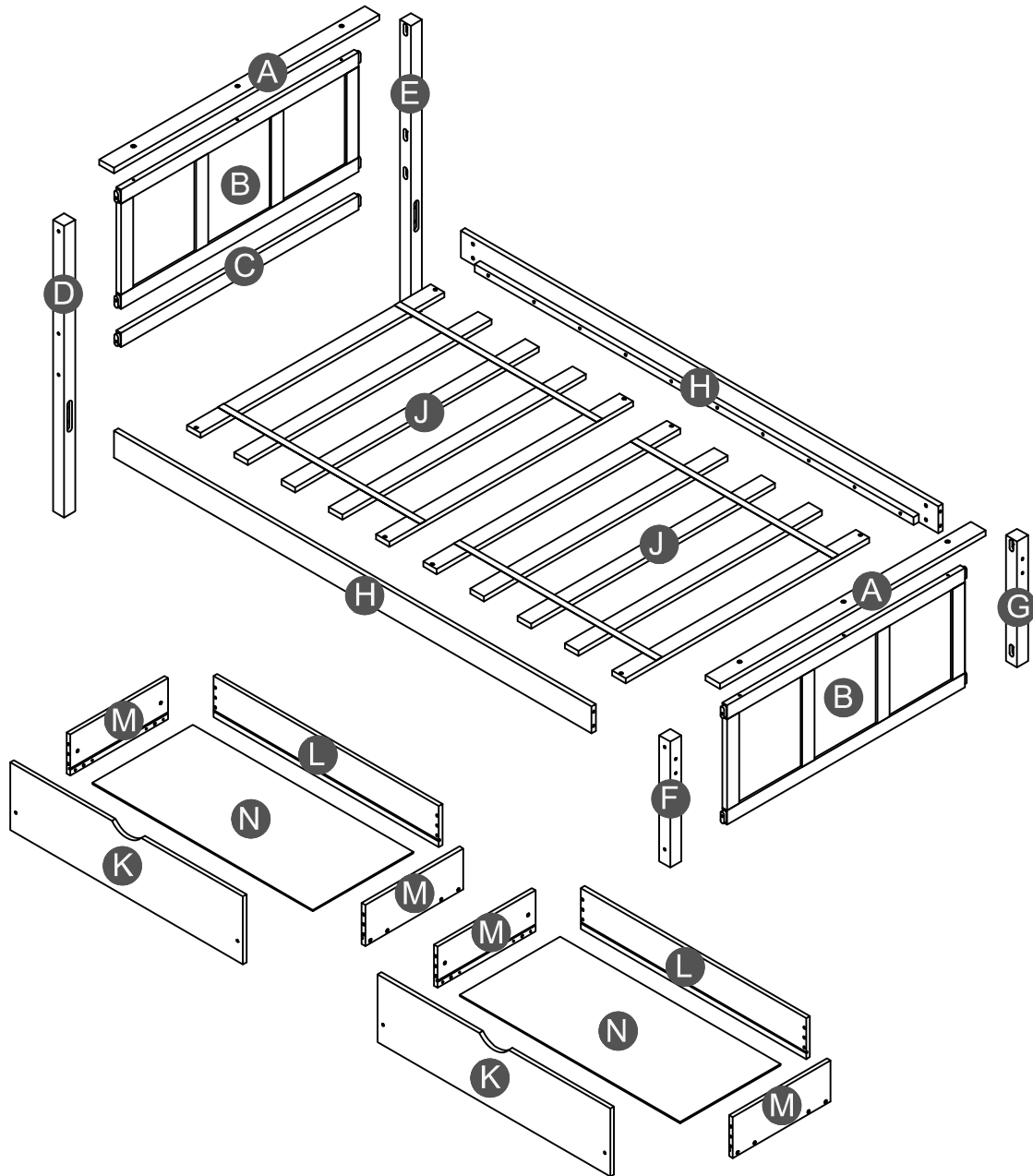
ASSEMBLY INSTRUCTIONS

BED WITH DRAWER


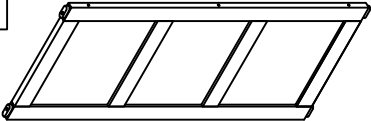
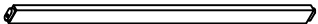
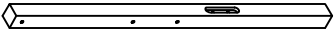
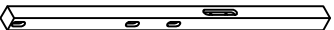
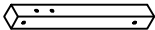
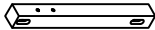

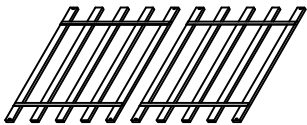

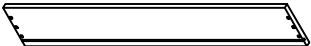
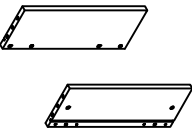



PLEASE DO NOT RETURN PRODUCT TO THE STORE.
If you have any problems or concerns, please feel free to contact our customer
service department. We will reply to you at the first time.

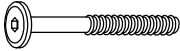
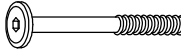



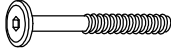
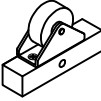
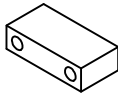
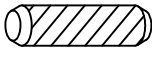


Detail View



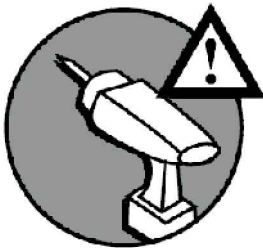
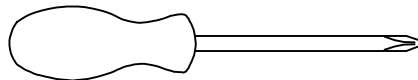
Part List

<p>A</p>  <p>Cap for HB & FB - 2pcs</p>	<p>B</p>  <p>HB/FB Frame - 1pc</p>	<p>C</p>  <p>HB horizontal bar - 1pc</p>
<p>D</p>  <p>Leg headboard(Left) - 1pc</p>	<p>E</p>  <p>Leg headboard(Right) - 1pc</p>	<p>F</p>  <p>Leg footboard(Right) - 1pc</p>
<p>G</p>  <p>Leg footboard(Left) - 1pc</p>	<p>H</p>  <p>Side rail - 2pcs</p>	<p>J</p>  <p>Slat - (10pcs)</p>
<p>K</p>  <p>Drawer front - 2pcs</p>	<p>L</p>  <p>Drawer back - 2pcs</p>	<p>M</p>  <p>Drawer (Left / Right)- 4pcs</p>
<p>N</p>  <p>Drawer bottom - 2pcs</p>		

Hardware List

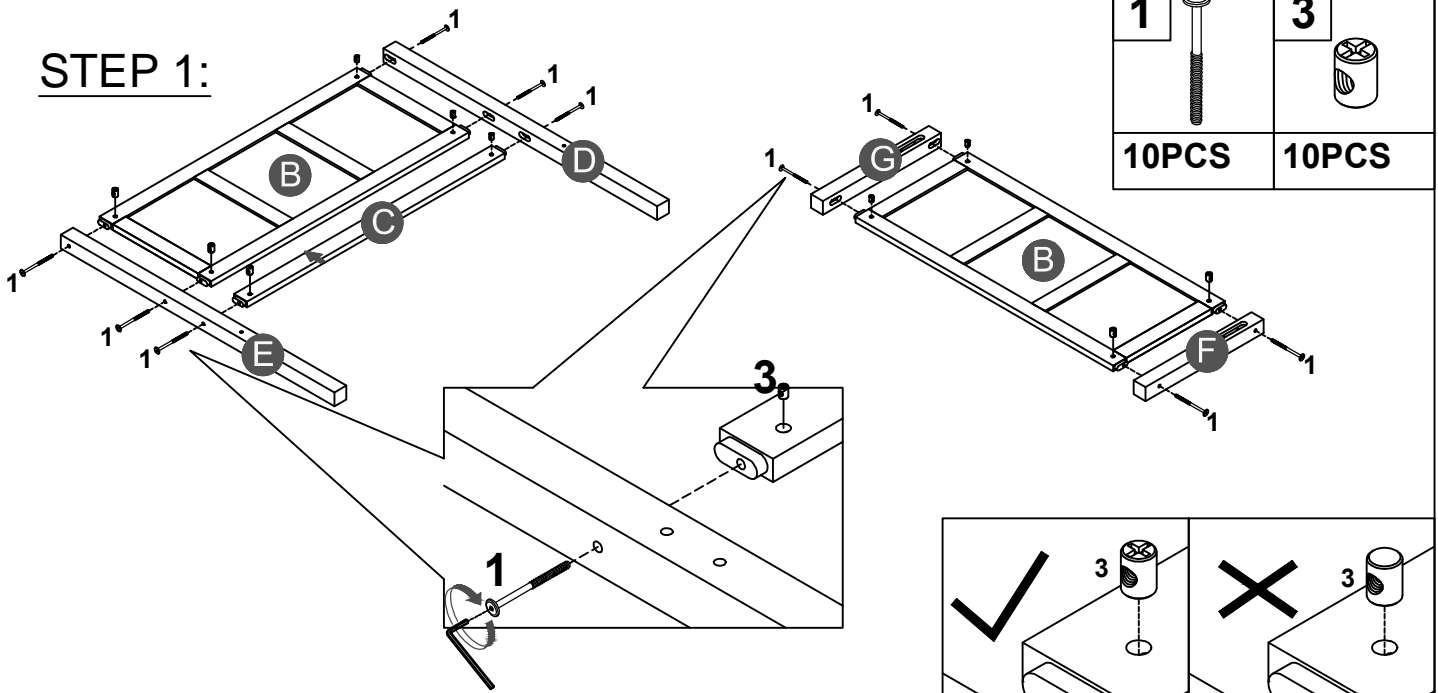
1  (Ø15)1/4"*80mm Hex-Head bolts (10pcs)	2  (Ø15)1/4"*100mm Hex-Head bolts (8pcs)	3  1/4"*15 (9.5mm) Horizontal-Hole bolts(26pcs)
4  (Ø12)1/4"*40mm Hex-Head bolts (6pcs)	5  Ø4*30mm Wood screws (30pcs)	6  (Ø12)1/4"*60mm Hex-Head bolts (8pcs)
7  100*54*20 mm Wheels (8pcs)	8  70*35*19 mm Wood support drawer (3pcs)	9  Ø8*30mm Wood dowel (16pcs)
10  Ø10*20mm Wood dowel (8pcs)	11  (1/4")4.5*58mm Allen key (1pc)	

ASSEMBLY TOOLS REQUIRED (NOT INCLUDED)

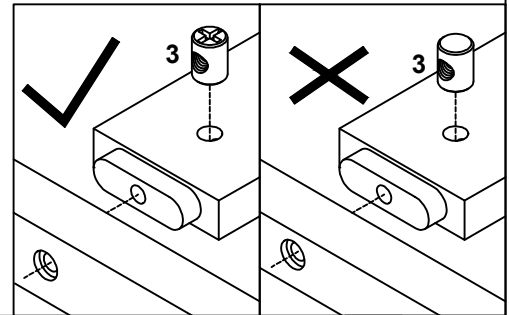


PLEASE BE CAREFUL DO NOT DAMAGE THE HOLE POSITION WHEN YOU USE POWER TOOLS !

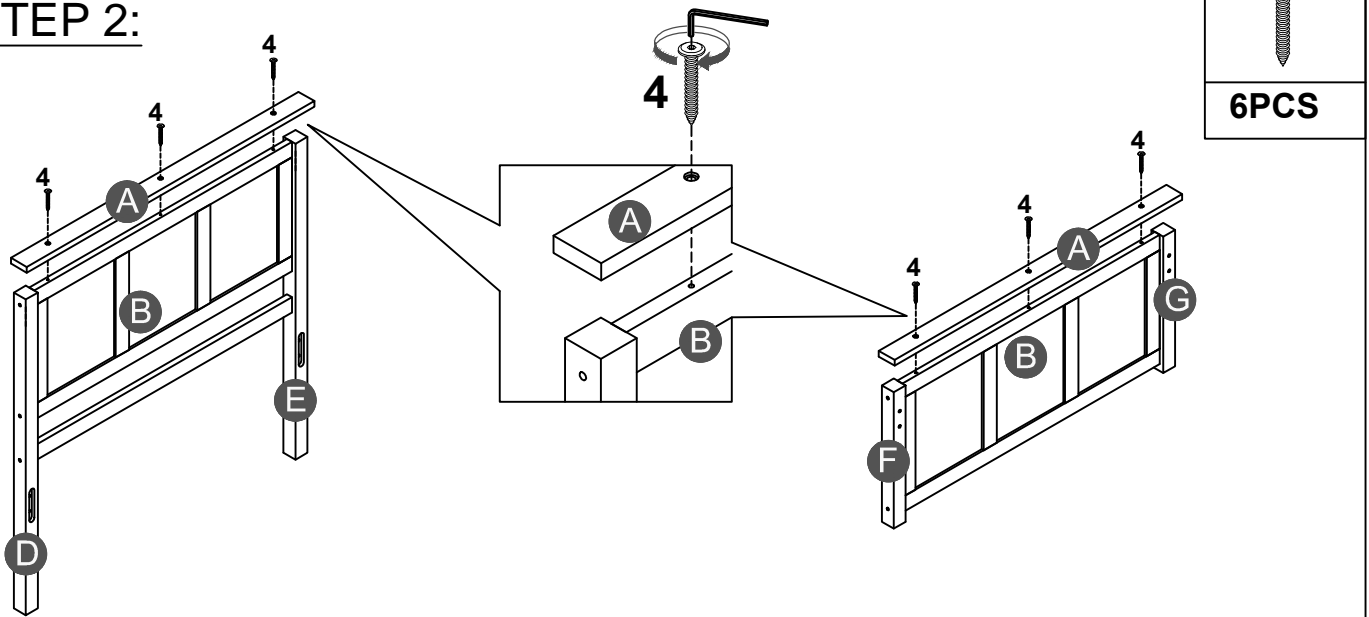
STEP 1:



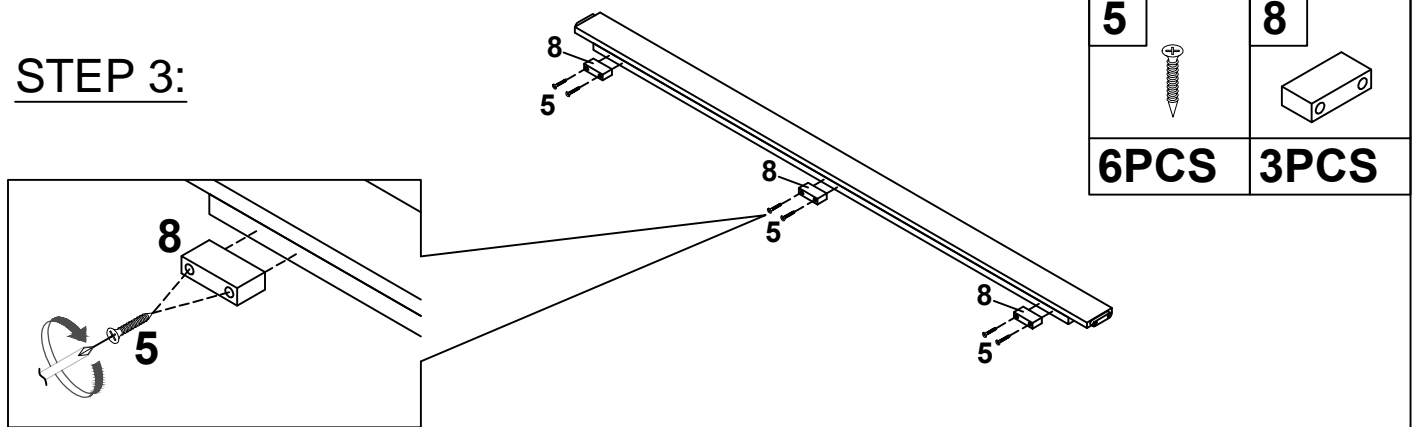
Note: Part 3 will face up with the "x" mark on it, otherwise it cannot be tightened



STEP 2:





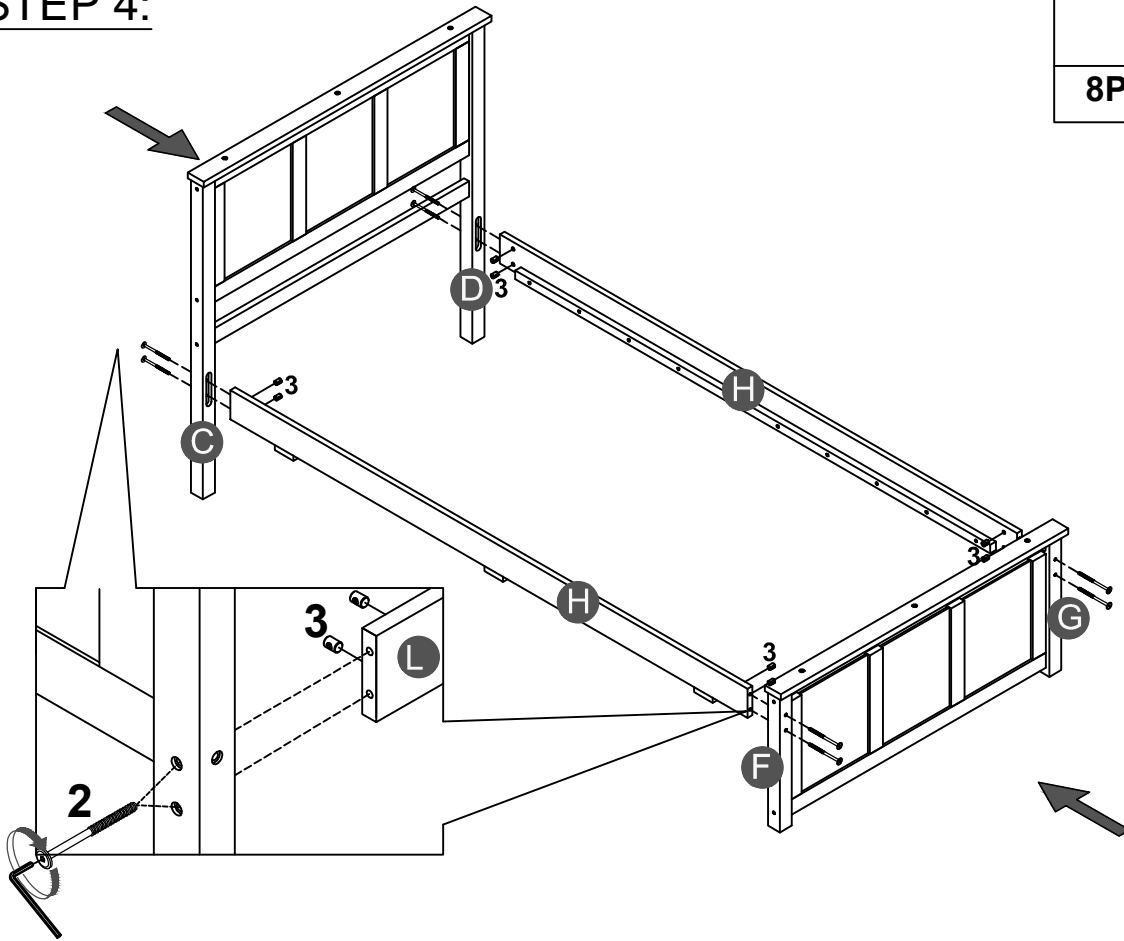
STEP 3:



Wood support drawer (8) with side rail(front) by using screw (5).


STEP 4:

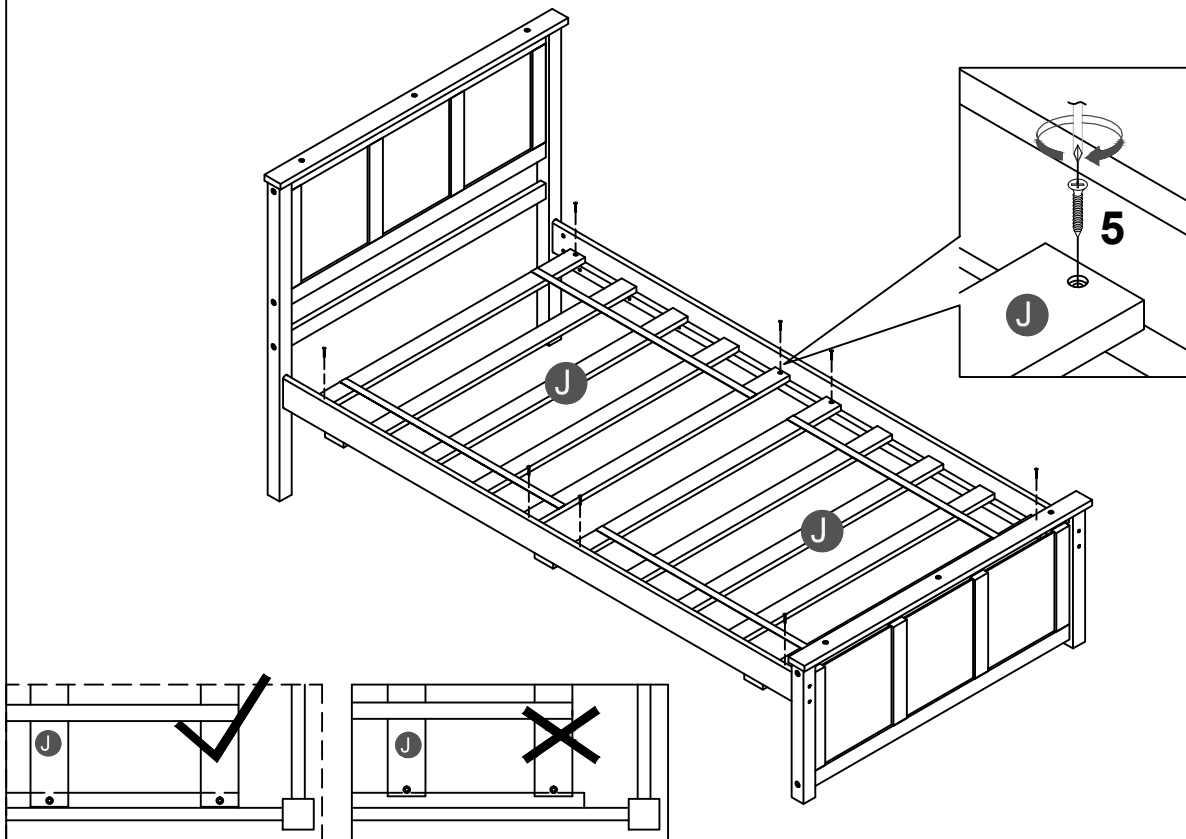
2		3	
8PCS		8PCS	



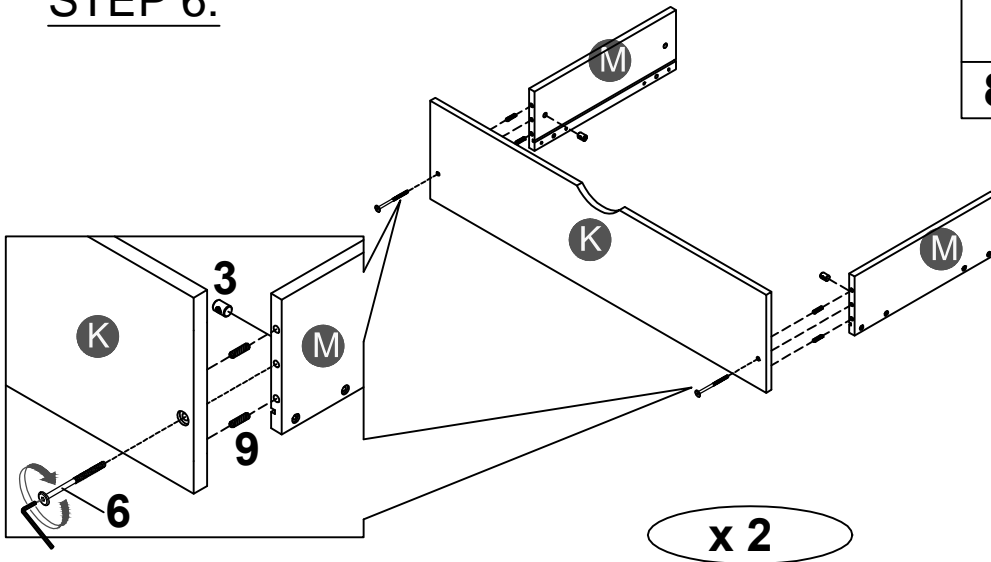
STEP 5:

Note: Do not lock the screws of the bed slats to the outermost edge of the bed slats, you need to leave a certain space at the edges, otherwise it will cause the board to break

5	
8PCS	

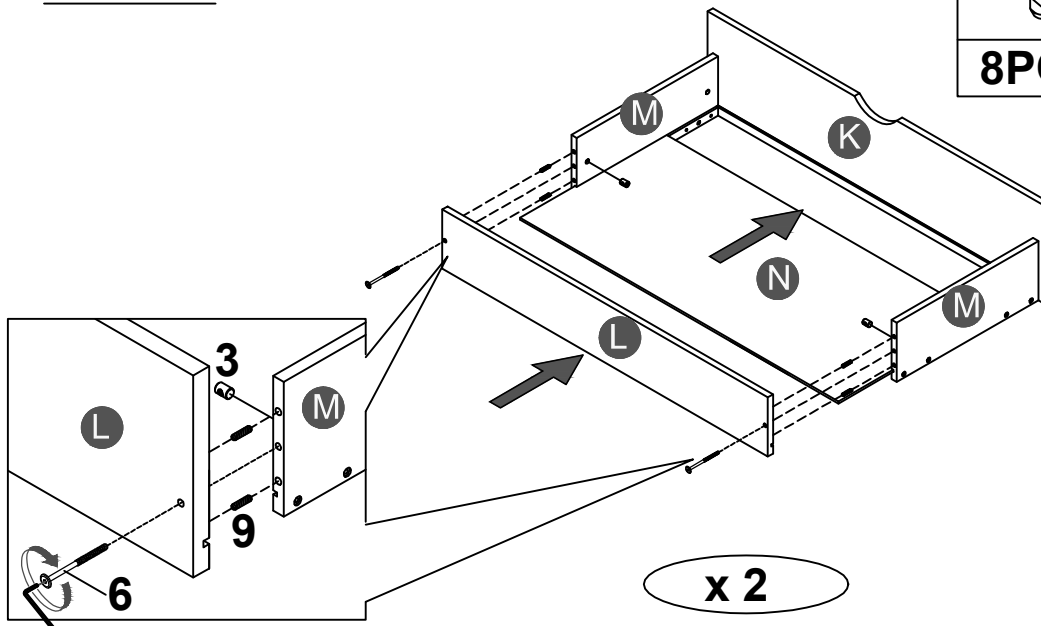


STEP 6:



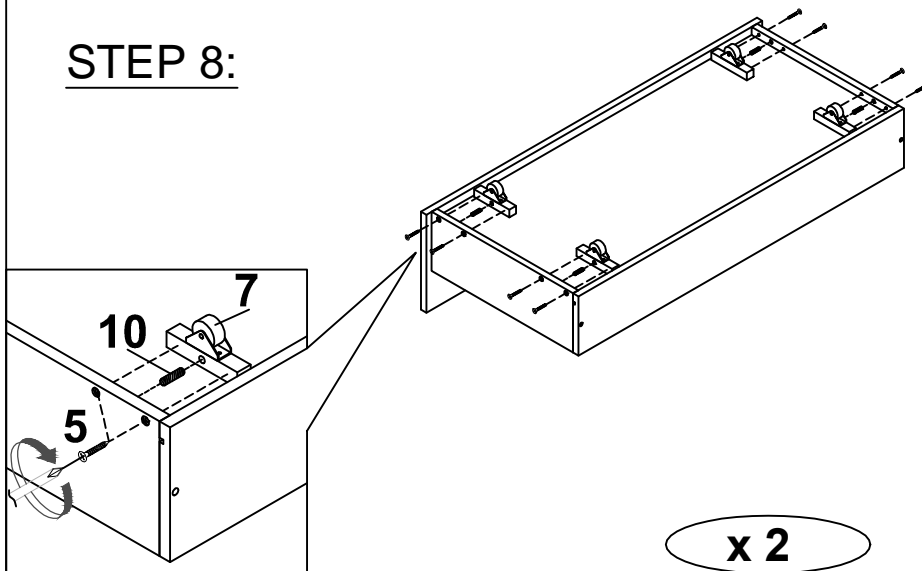
9		3		6	
	8PCS		4PCS		4PCS

STEP 7:



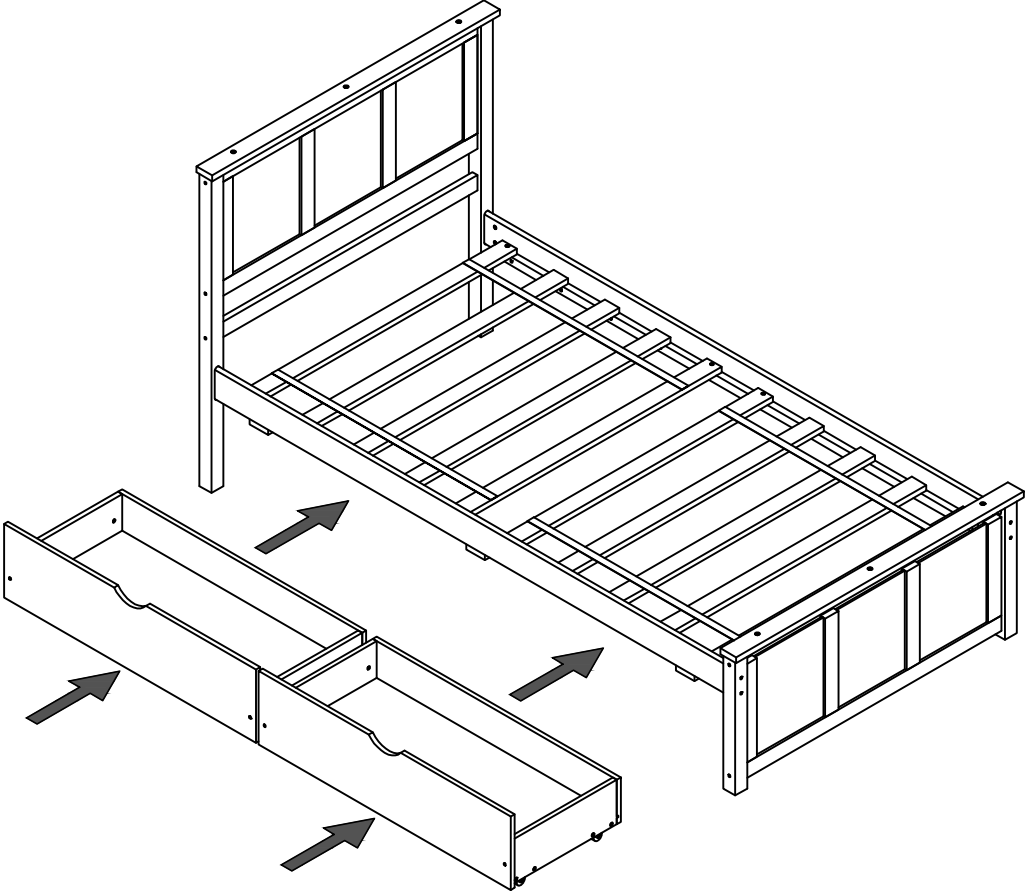
9		3		6	
	8PCS		4PCS		4PCS

STEP 8:



10		5		7	
	8PCS		16PCS		8PCS

STEP 9:



Push Drawer under the bottom of Twin Bed.

