

INSTALLATION AND SAFETY INSTRUCTIONS

FOR YOUR SAFETY

WARNING: BE SURE THE ELECTRICITY TO THE WIRES YOU ARE WORKING ON IS SHUT OFF: EITHER THE FUSE IS REMOVED OR THE CIRCUIT BREAKER IS SHUT OFF

CAUTION: THE PRODUCT SHOULD BE INSTALLED BY A QUALIFIED ELECTRICIAN THAT IS AWARE OF THE CONSTRUCTION AND OPERATION OF THE PRODUCT AND THE HAZARDS INVOLVED

CLEANING

To clean, Wipe fixture with a soft and dry cloth. Do not use abrasive materials such as scouring pads or powders, steel wool or abrasive paper.

Line art shown may not exactly match the fixture enclosed. However, the installations do apply to this fixture.

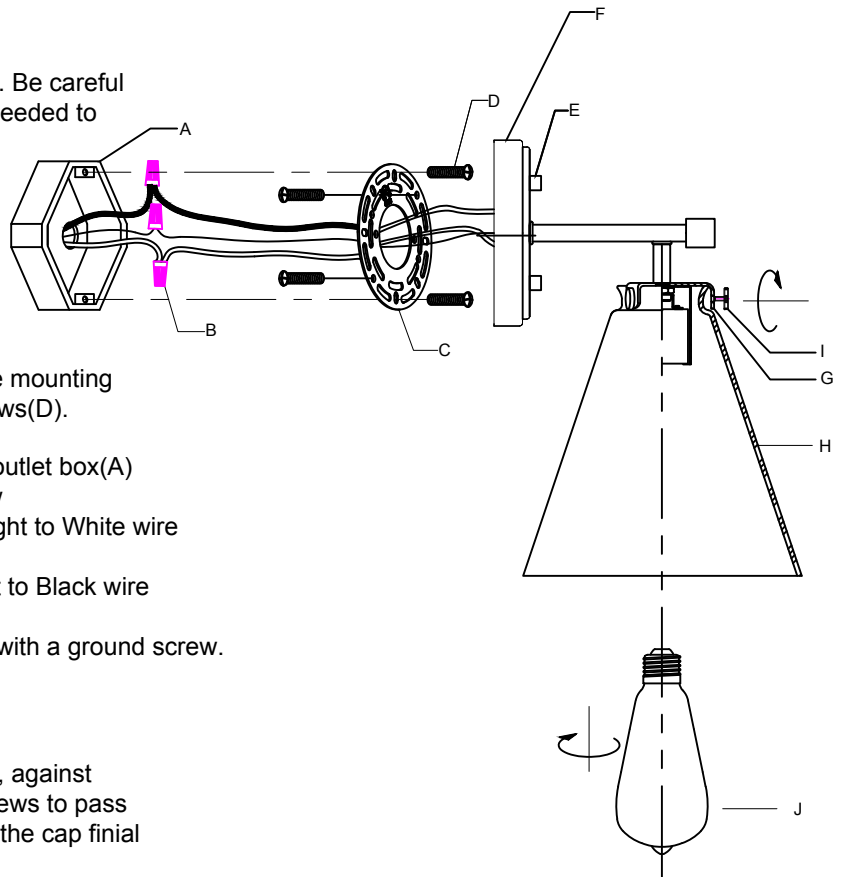
GENERAL

You don't need special tools to install this fixture. Be sure to follow the steps in the order given. Under no circumstances should a fixture be hung on house electrical wires nor should a swag type heating system. Read instructions carefully. If you are unclear as to how to proceed, consult a qualified electrician.

NOTE: Proper wiring is essential for the safe operation of this fixture.

FIXTURE ASSEMBLY

Carefully removed the fixture from the carton and check that all parts are included as shown in figure. Be careful to misplace any of the screws or parts, which are needed to install this fixture.



INSTALLATION

STEP 1: Attach round mounting bar (C) with fixture mounting screws to outlet box (A) secured with two box screws (D).

STEP 2: Pull out the power source wires from the outlet box (A). Make wire connections using wire nuts (B) as follows:
-- Ribbed wire (W/O marking) or white wire from light to White wire from power source.
-- Smooth wire (W marking) or black wire from light to Black wire from power source.
-- Attach the ground wire to mounting bar secured with a ground screw.

Carefully tuck the wires back into the outlet box.

STEP 3: Align the Back plate (F) to the Outlet box, against mounting surface allowing the fixture mounting screws to pass through the fixture back plate. Then secure it with the cap finial (E).

STEP 4: Put the glass (H) into the metal holder (G). Secure tight the Glass with the KNOB SCREW (I).

STEP 5: Install bulb (bulb not included)

See relamping label at socket area or packaging for maximum allowed wattage



warning: Need to check if the glass is perfect before assembling