

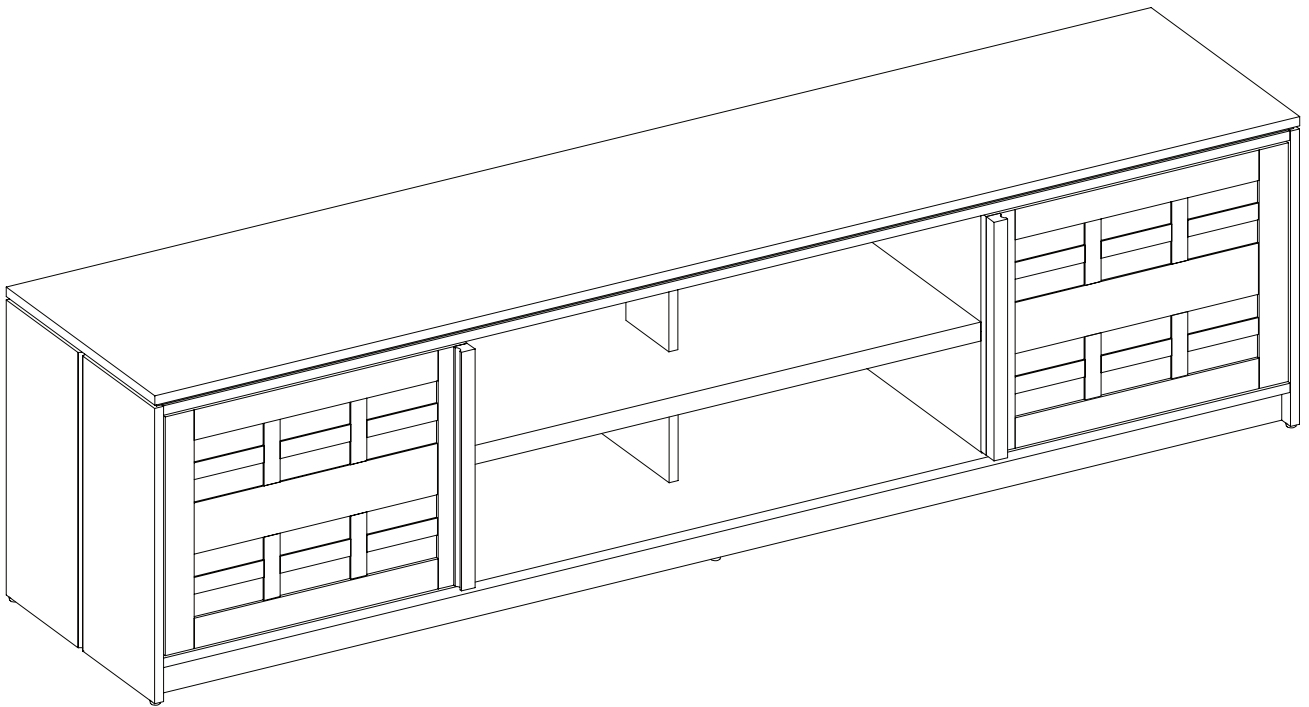
WALKER EDISON

®

70" TV Stand

SKU# WEBKR21701HO1

SKU# WEBKR21701BO1



For Residential Use Only

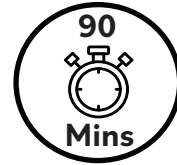
Please visit our website for the most current instructions, assembly tips, report damage, or request parts. www.walkerredison.com



Time to get started

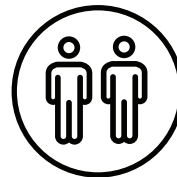
Set up a clean and soft workplace to get started and avoid damage during the assembly. It also helps to double-check you've got all the pieces and parts before diving in to assembly.

Estimated time for assembly



People recommended for assembly

Make it a team effort! Grab a friend for quicker, easier assembly.



2 People Build

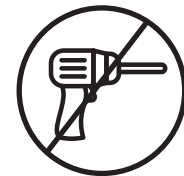
Tools Needed

Grab a Phillips head screwdriver to conquer this assembly.
Phillips head screwdriver is not included.



Use power tools with caution

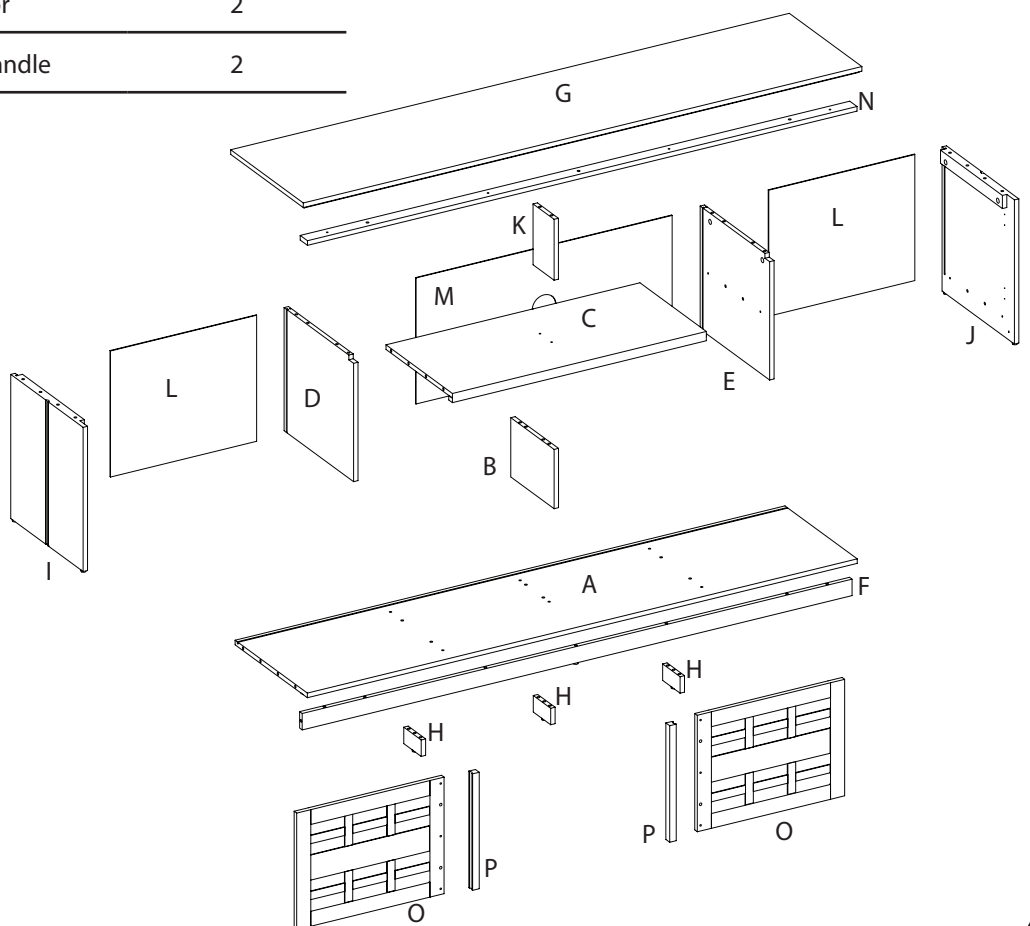
You can cause cracking or damage to the material and easily strip the hardware. If you choose to use a power tool, your product will no longer be covered under Walker Edison's warranty.




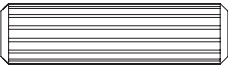
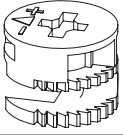
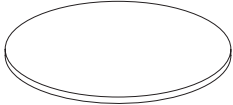
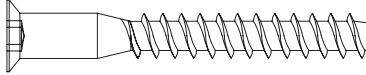
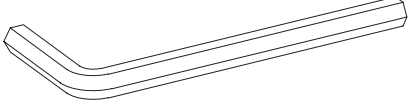


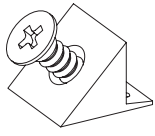
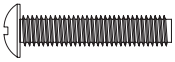
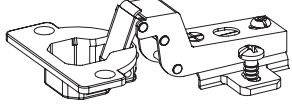
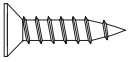
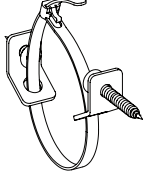

Scan to get assembly tips and help!

WE Parts List

Part Number	Description	Quantity
A	Bottom Panel	1
B	Lower Partition panel	1
C	Fixed Shelf	1
D	Left Partition panel	1
E	Right Partition panel	1
F	Front Apron Rail	1
G	Top Panel	1
H	Center support leg	3
I	Left Side Panel	1
J	Right Side Panel	1
K	Upper Partition panel	1
L	Side back panel	2
M	Middle back panel	1
N	Top rail	1
O	Door	2
P	Door Handle	2




WE Hardware List

	Part	Size	Name	Quantity	Part code
AA		Ø6x34mm	Cam Bolt	34	PC-KDBZNCH34
BB		Ø8x30mm	Wood Dowels	30	PH-DWLNTL001
CC			Cam Lock	34	PC-KDCZNCH11
DD		Ø30mm	Cover	18	PC-KDPXXX011
EE		Ø6x50mm	Bolt	6	PC-BLTHZD6L50
FF			Hexagon Wrench	1	PH-HEXKEY4MM
GG		Ø8x20mm	Wood Dowels	7	PH-DWLNTL001
HH		Ø4x22mm	Screw	4	PC-SCRFBD4L22
II			Back Panel Bracket	16	PH-BKTBLK017
JJ		Ø4x20mm	Bolt	6	PC-BOTTBD4L20
KK			Euro Hinge	4	PH-HNG2H26CS95
LL		Ø3.5x15mm	Screw	8	PH-SCRBLK008
MM			Tipping Restraint Hardware	1	PH-FTRHH510
NN			Door Bumper	4	PH-BMPCLR001

*The hardware quantities listed above are required for proper assembly.
Extra hardware pieces may be included.*

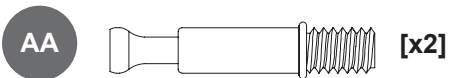
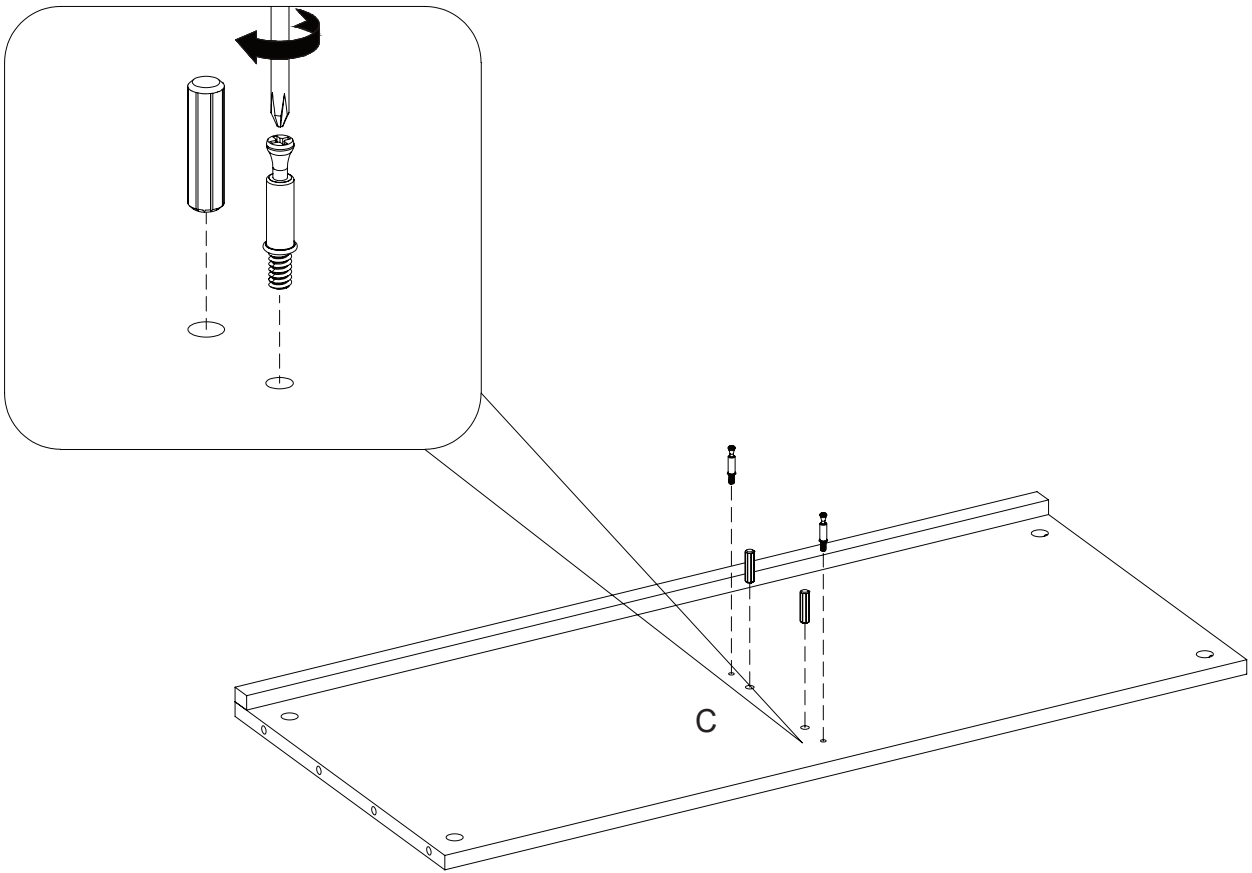


Installed Replacements Parts

	Part	Size	Name	Quantity	Part code
00			Floor glide	8	PH-GLDWHT001

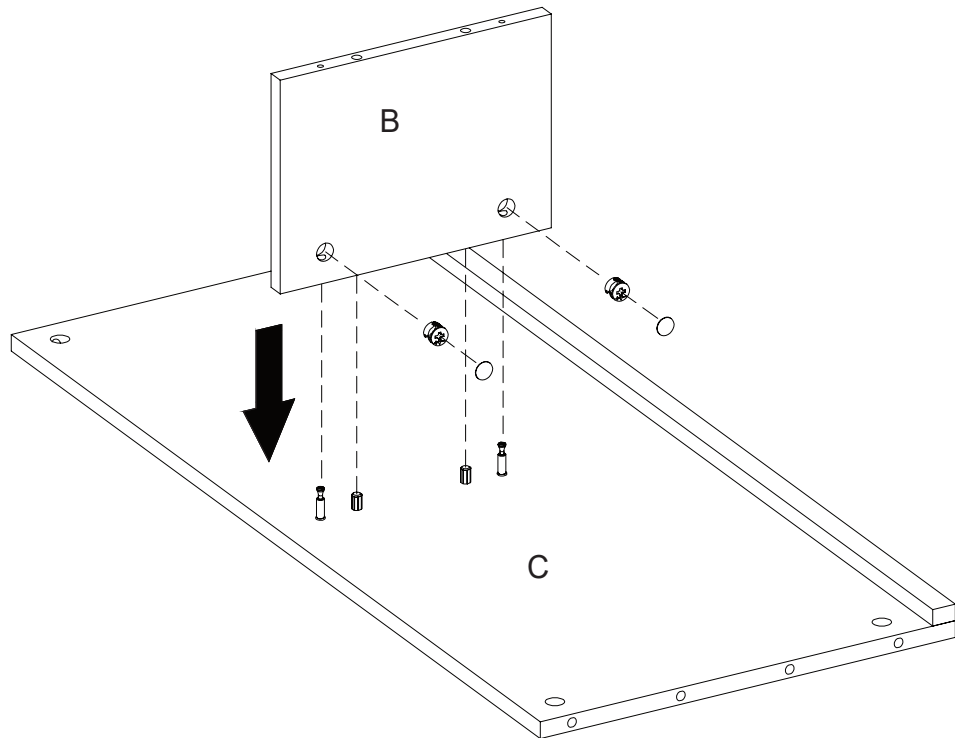
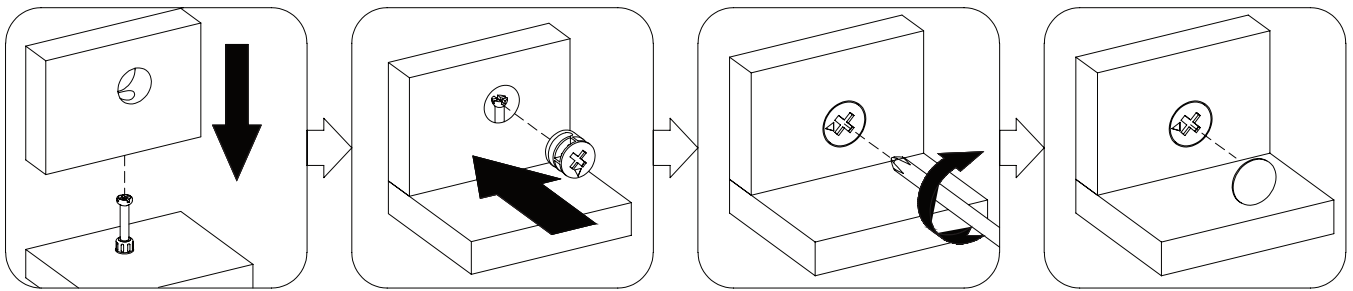
Step 1

Let's get started! First, insert the cam bolts (AA) and wood dowels (BB) into the pre-drilled holes in fixed shelf (C).

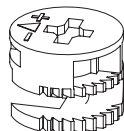


Step 2

Align the pre-drilled holes in lower partition panel (B) to the cam bolts in fixed shelf (C) and then insert the cam locks (CC) into place and place a cover (DD) over the cam locks.

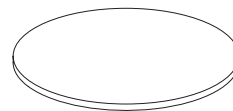


CC



[x2]

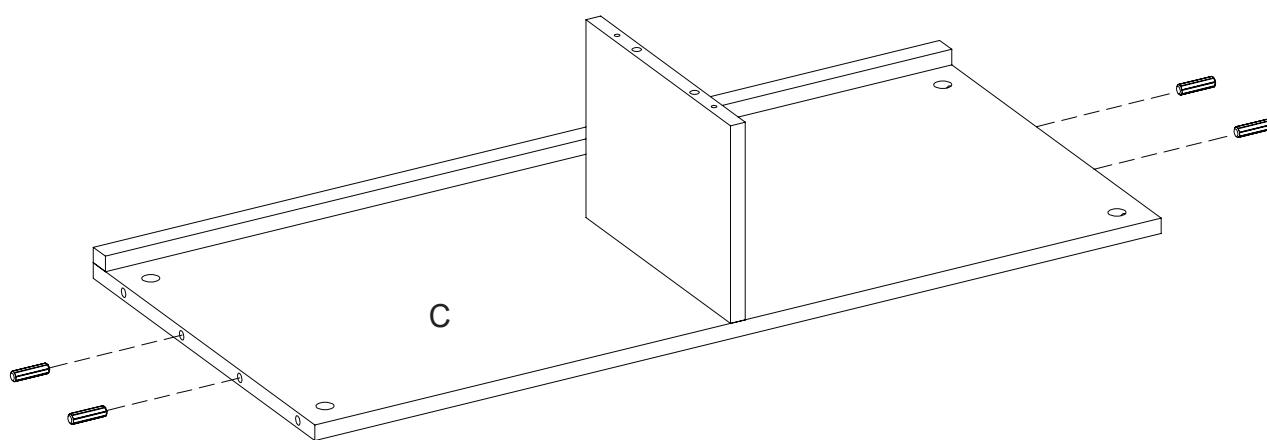
DD



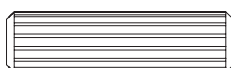
[x2]

Step 3

Insert the wood dowels (BB) into the pre-drilled holes in fixed shelf (C).



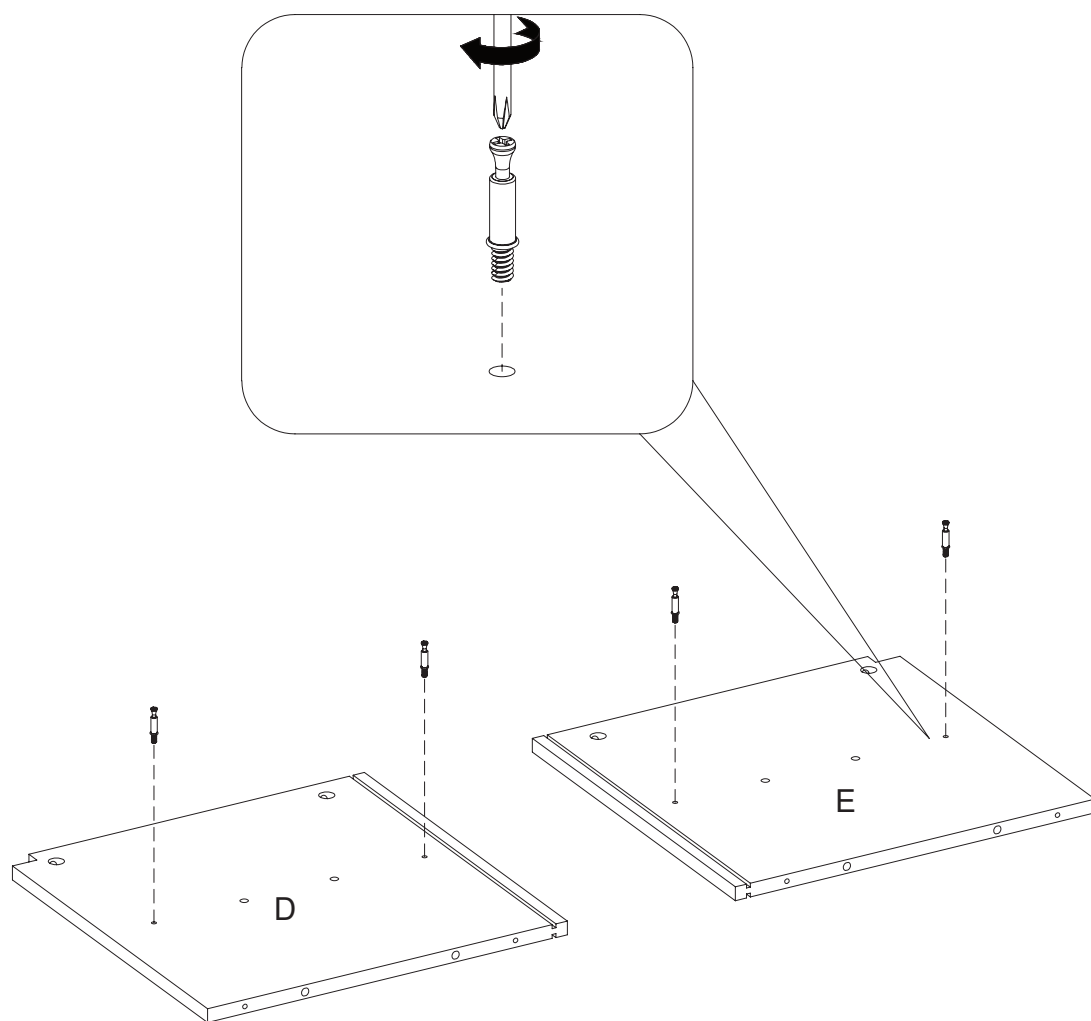
BB



[x4]

Step 4

Screw the cam bolts (AA) into the pre-drilled holes in left partition panel (D) and right partition panel (E).



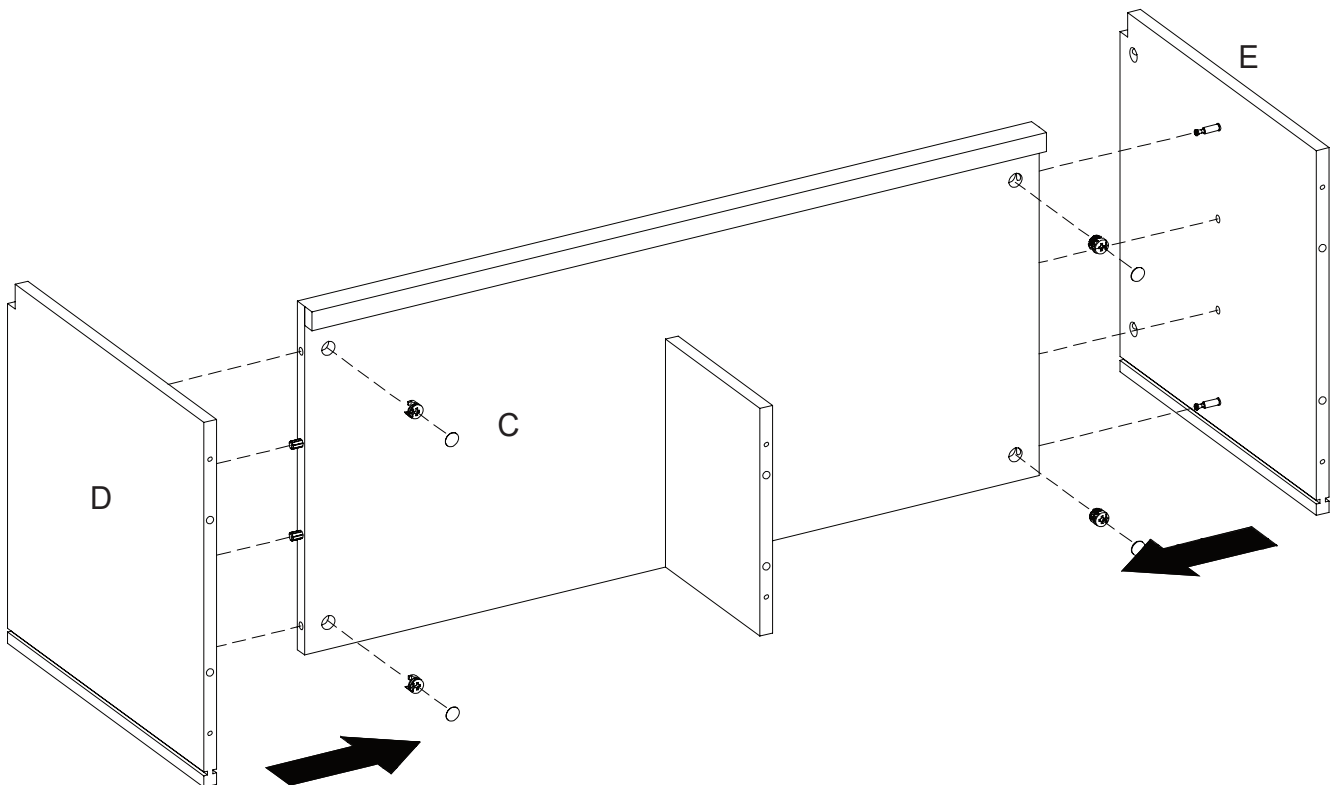
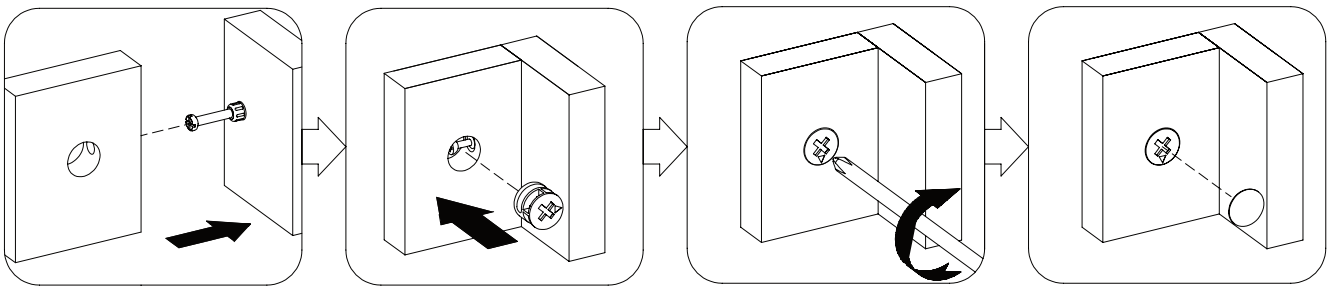
AA



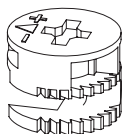
[x4]

Step 5

Use the assembled fixed shelf (C) to connect the left partition panel (D) and the right partition panel (E). Then, secure the pieces together with the cam locks (CC) and place a cover (DD) over the cam locks.



CC



[x4]

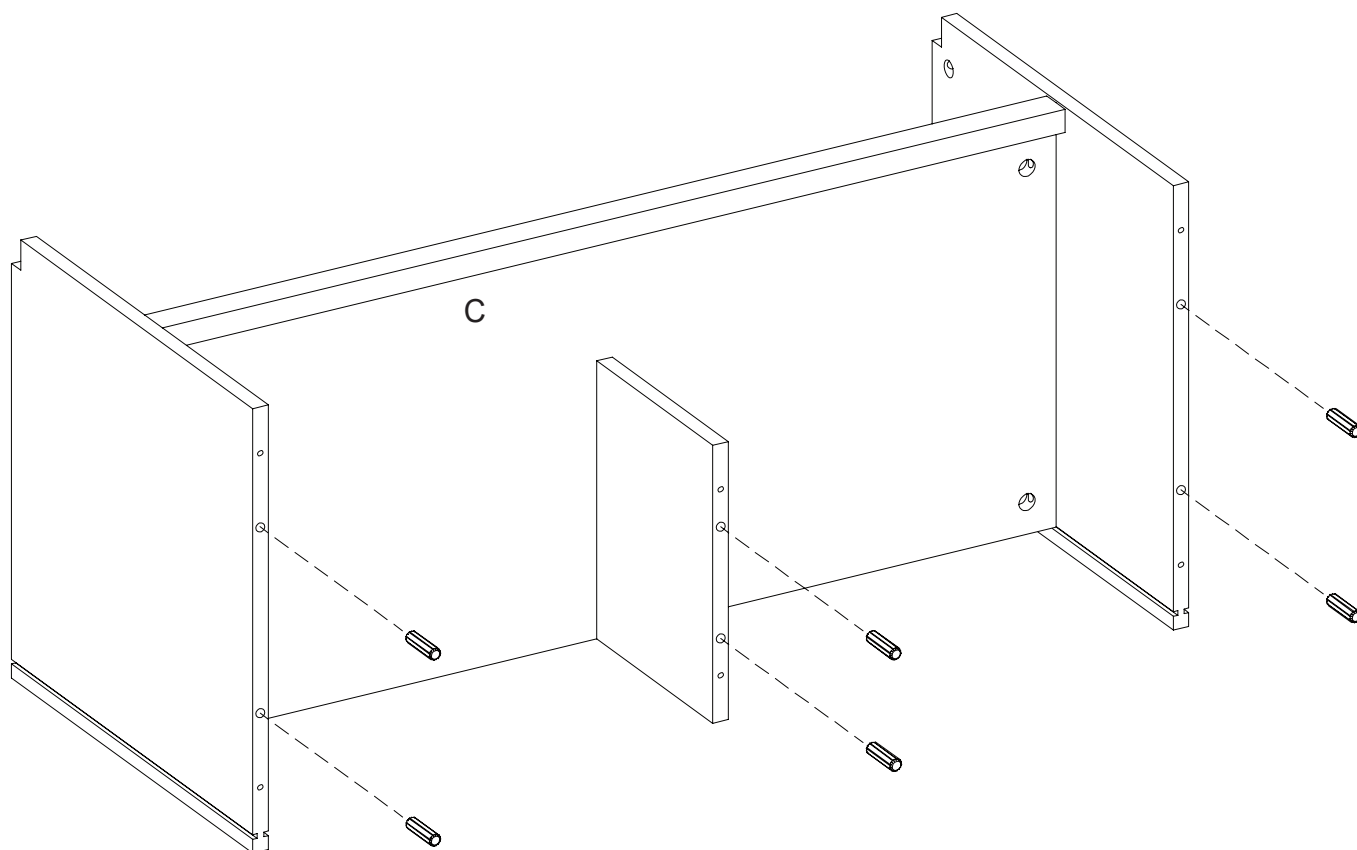
DD



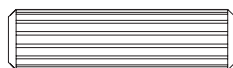
[x4]

Step 6

Insert wood dowels (BB) into the pre-drilled holes in the assembled unit as shown in the image.



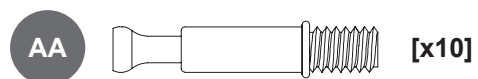
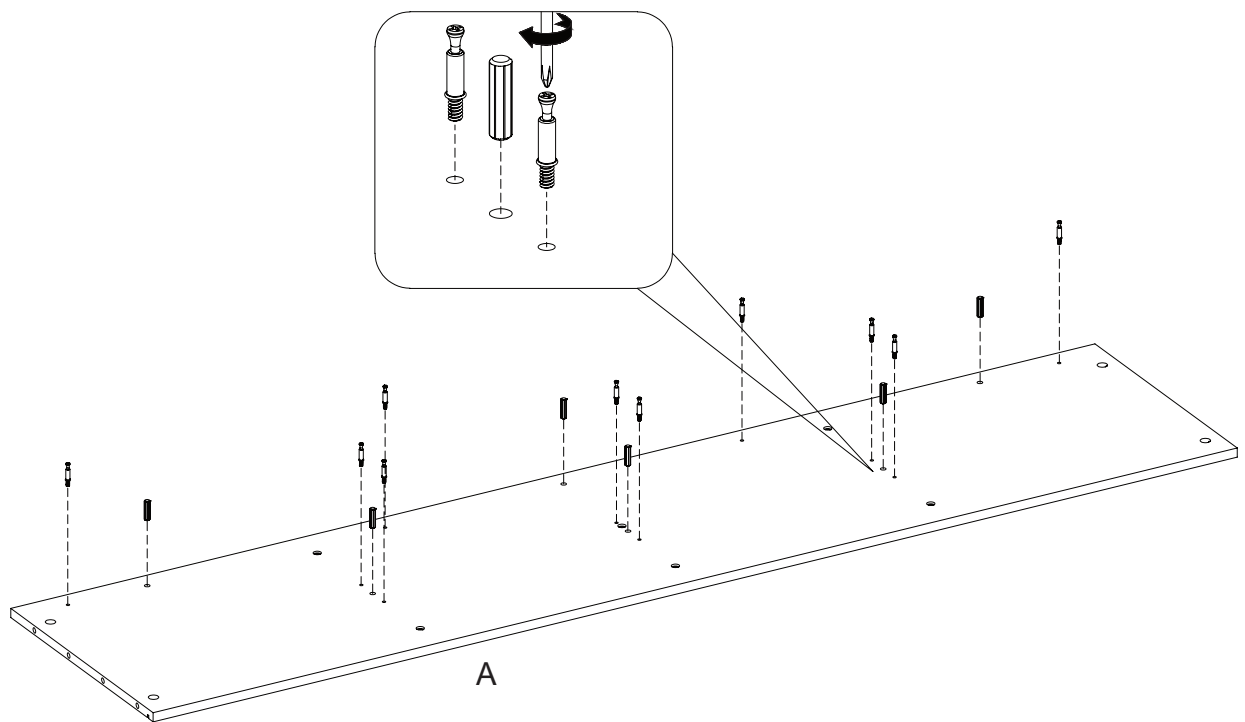
BB



[x6]

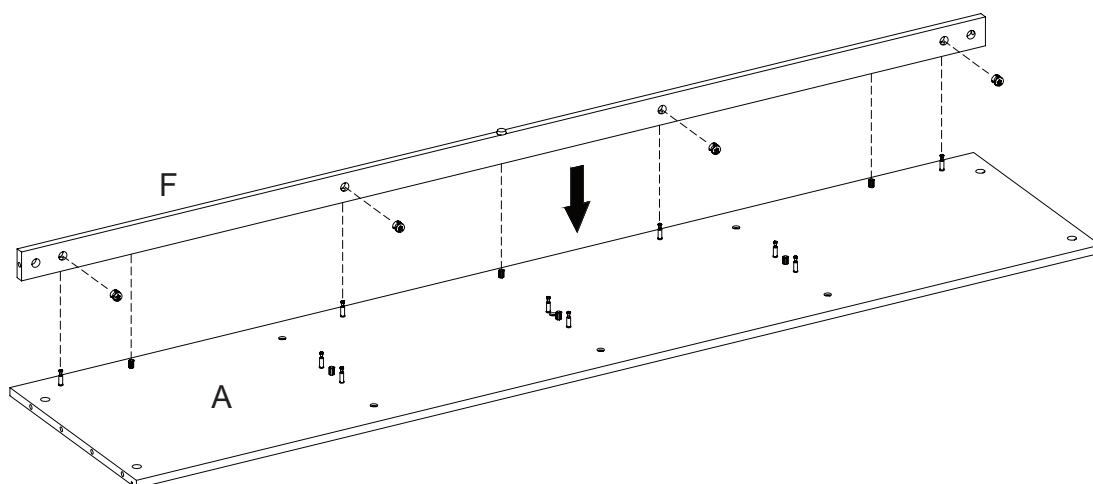
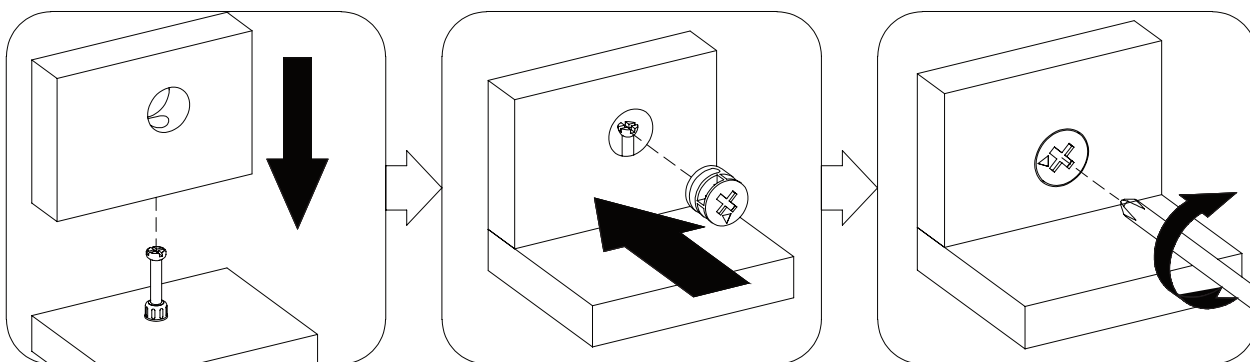
Step 7

Insert the cam bolts (AA) and wood dowels (BB) into the pre-drilled holes in bottom panel (A).

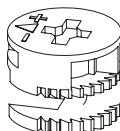


Step 8

Align the pre-drilled holes in front apron rail (F) to the cam bolts and wood dowels in bottom panel (A). Then, secure the pieces together with cam locks (CC).



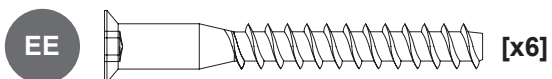
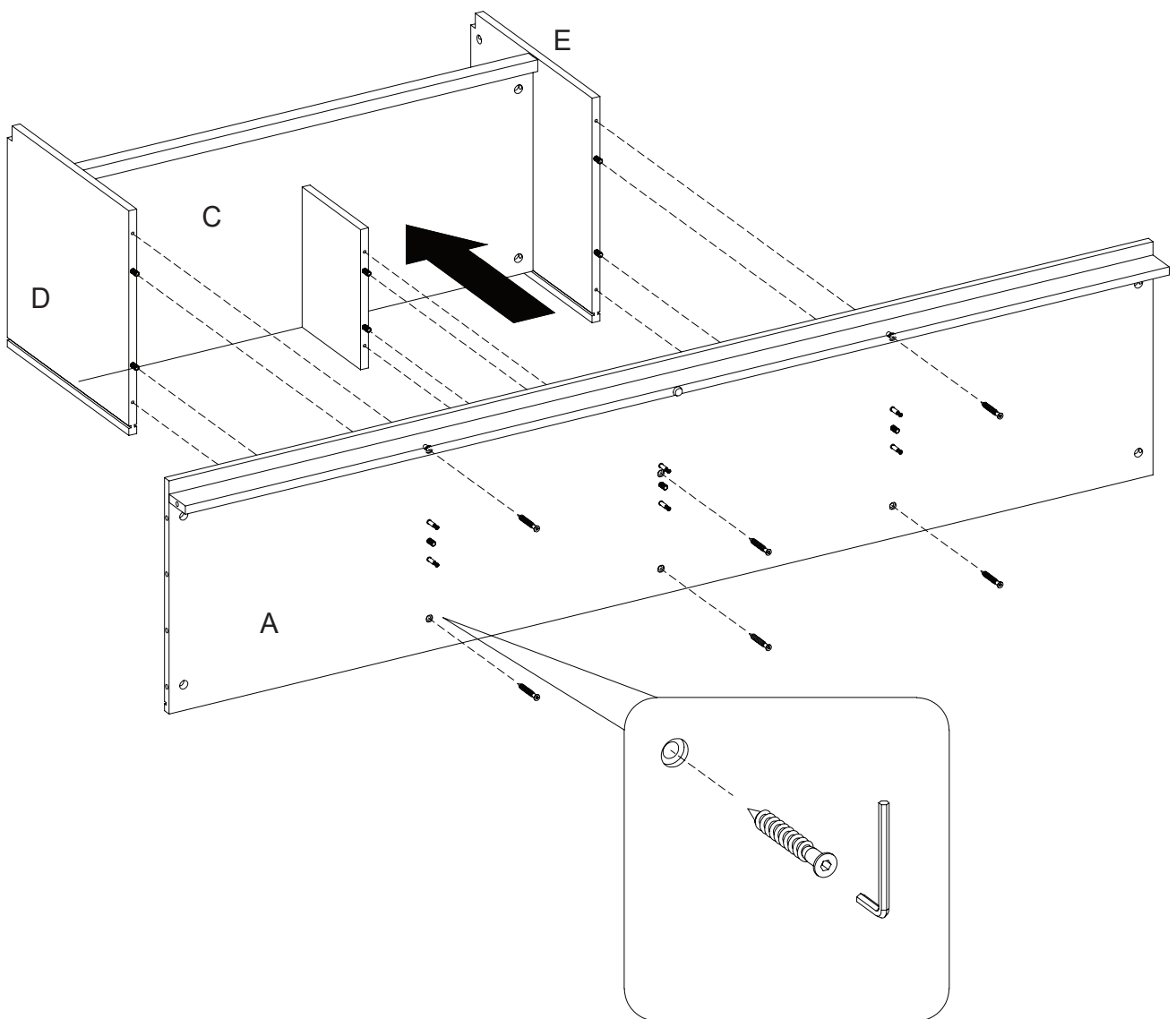
CC



[x4]

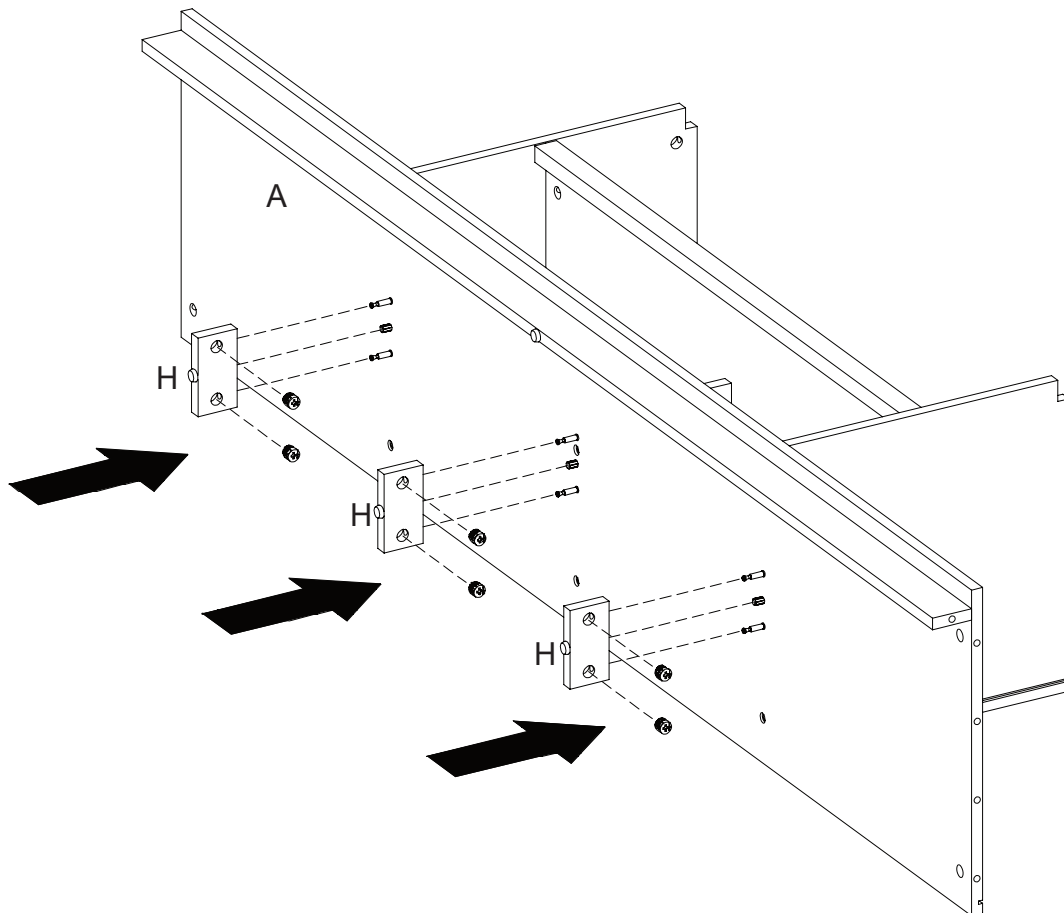
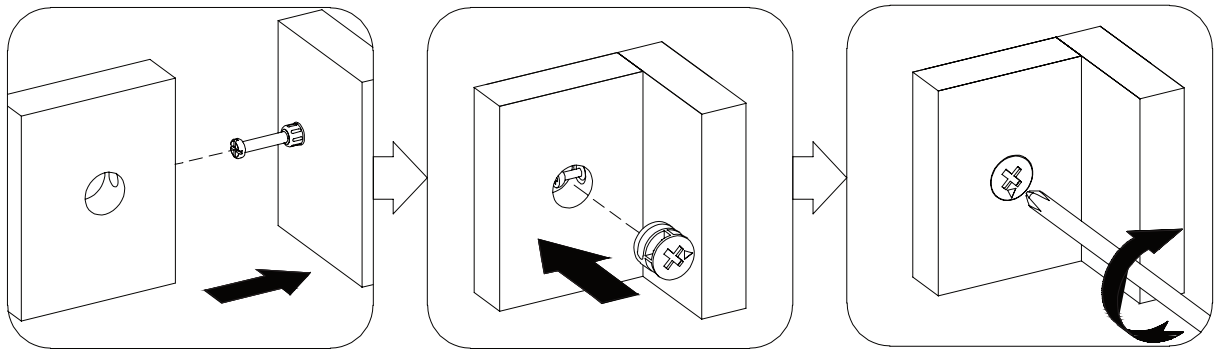
Step 9

Take the bottom panel (A) and attach it to the wood dowels we inserted earlier into the partition. Then, secure everything together with the bolts (EE) and hexagon wrench (FF).

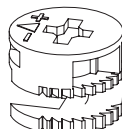


Step 10

Align the pre-drilled holes in center support leg (H) to the cam bolts and wood dowels in the assembled bottom panel (A). Then, secure the pieces together with cam locks (CC).



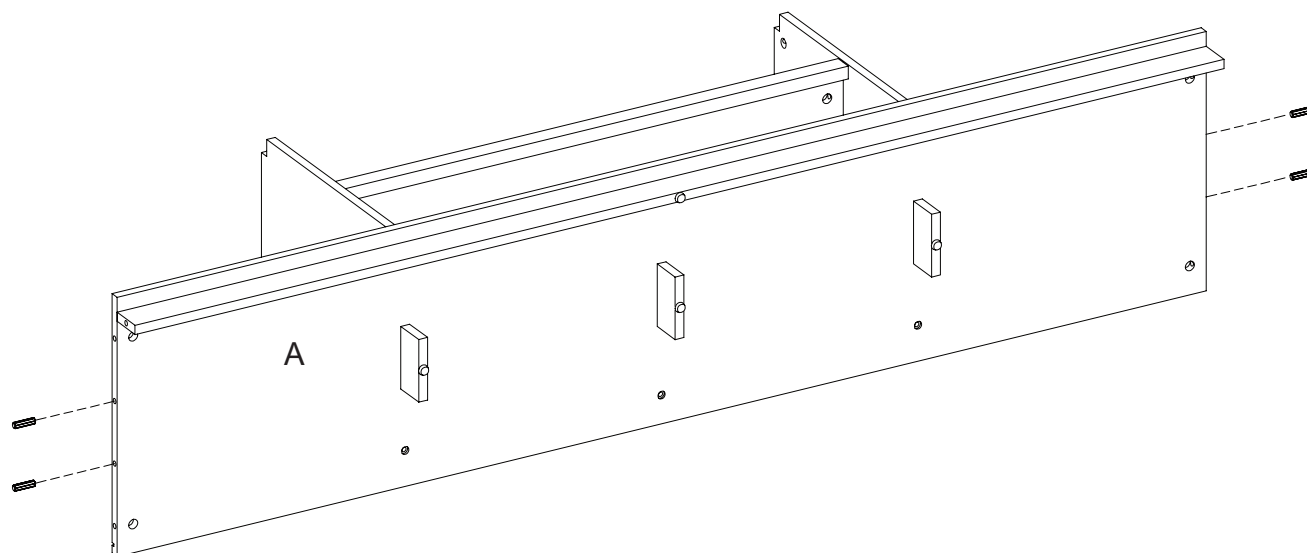
CC



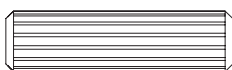
[x6]

Step 11

Insert the wood dowels (BB) into the pre-drilled holes in bottom panel (A).



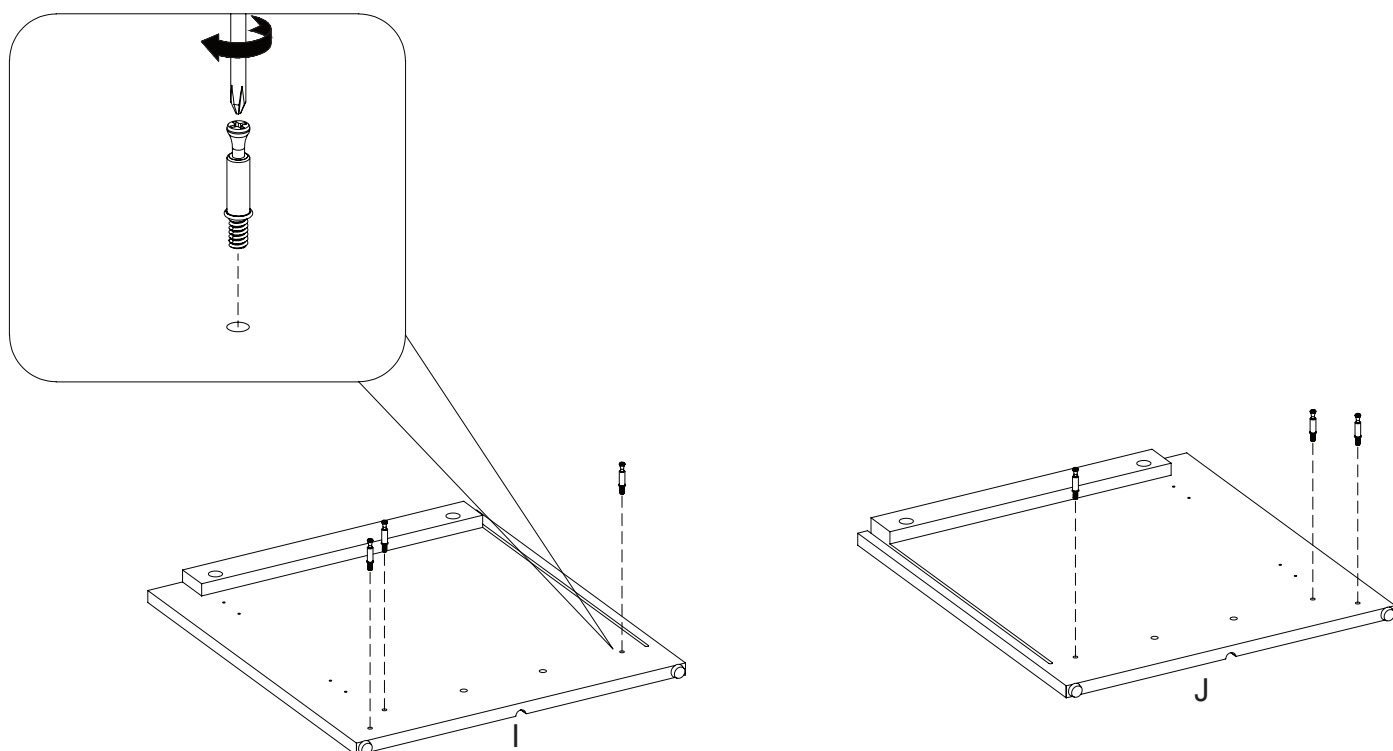
BB



[x4]

Step 12

Screw the cam bolts (AA) into the pre-drilled holes in left side panel (I) and right side panel (J).



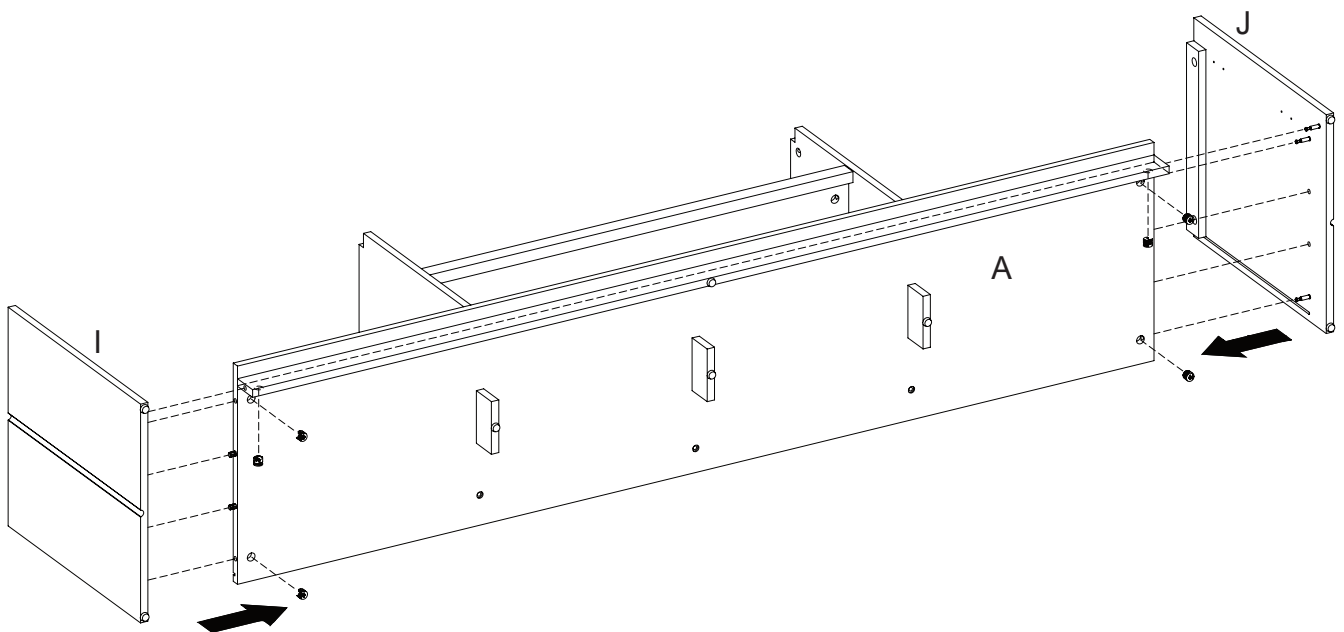
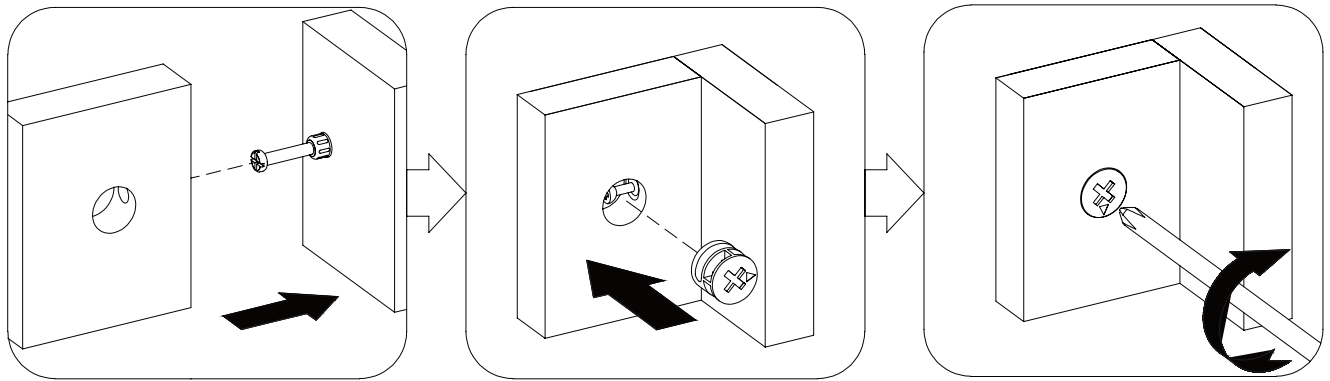
AA



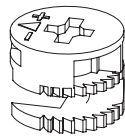
[x6]

Step 13

Use the assembled bottom panel (A) to connect the left side panel (I) and right side panel (J). Then, secure the pieces together with the cam locks (CC).



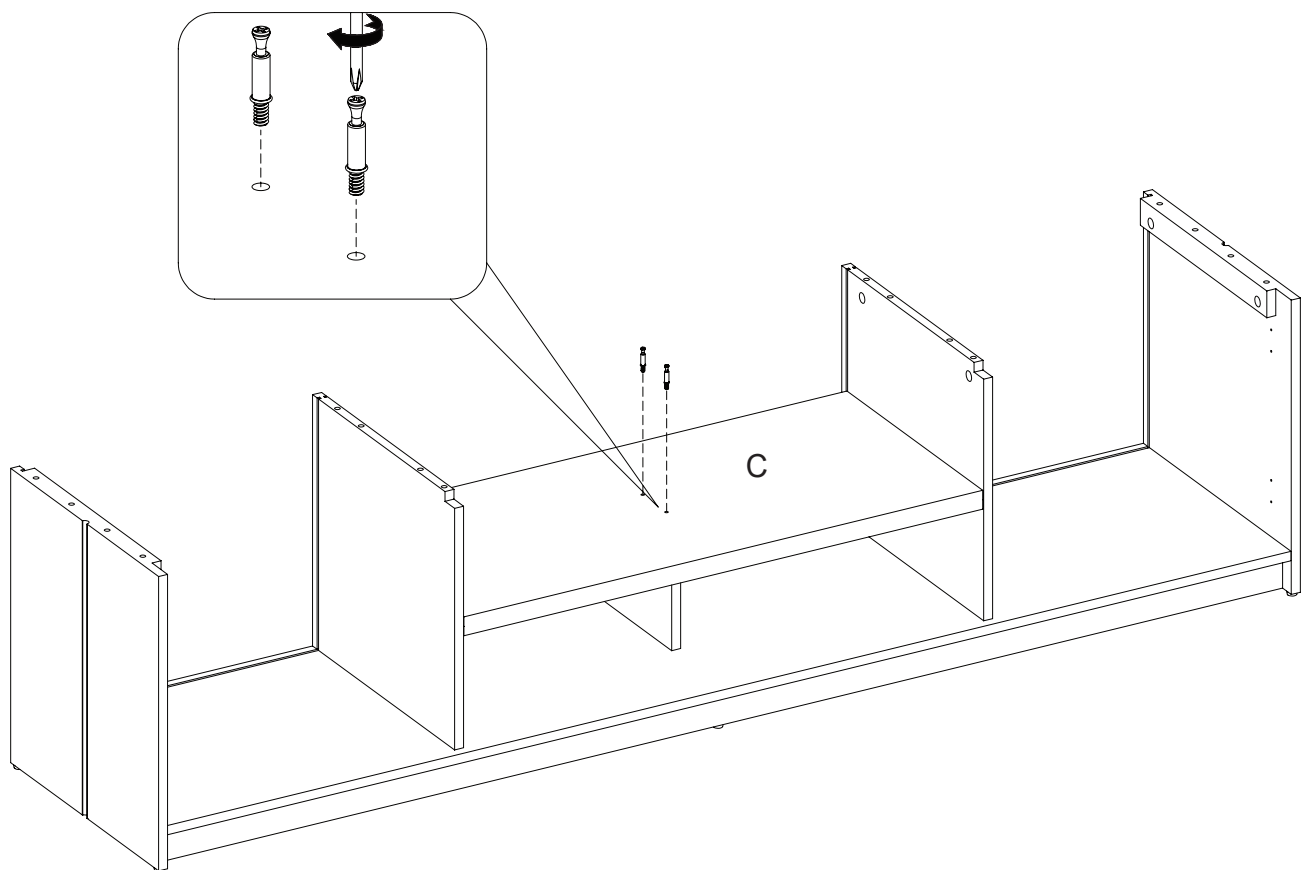
CC



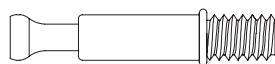
[x6]

Step 14

Screw the cam bolts (AA) into the pre-drilled holes in fixed shelf (C).



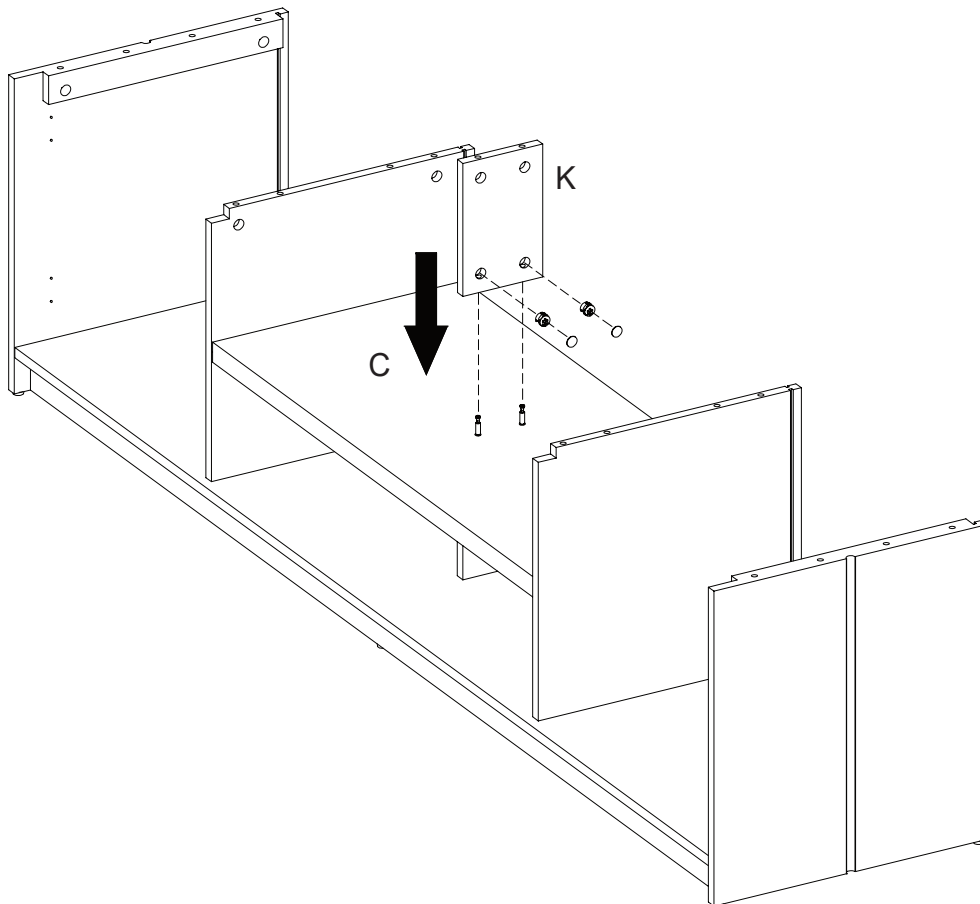
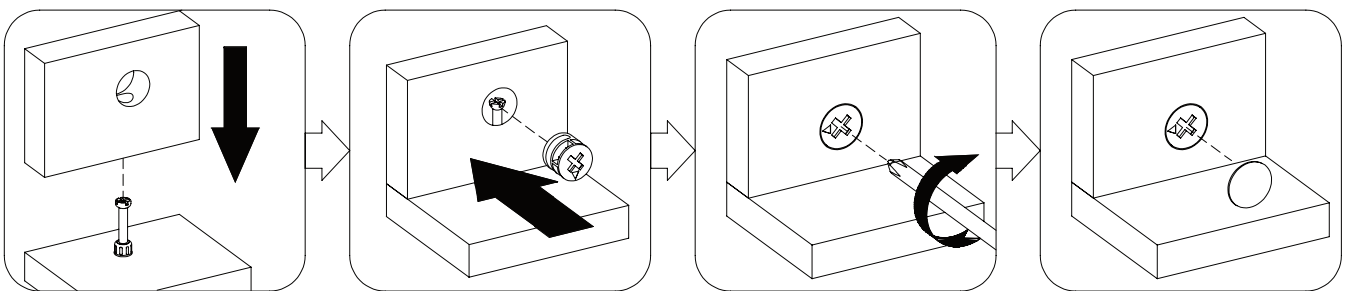
AA



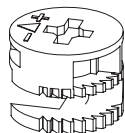
[x2]

Step 15

Align the pre-drilled holes in upper partition panel (K) to the cam bolts in the fixed shelf (C). Then, secure the pieces together with cam locks (CC) and place a cover (DD) over the cam locks.



CC



[x2]

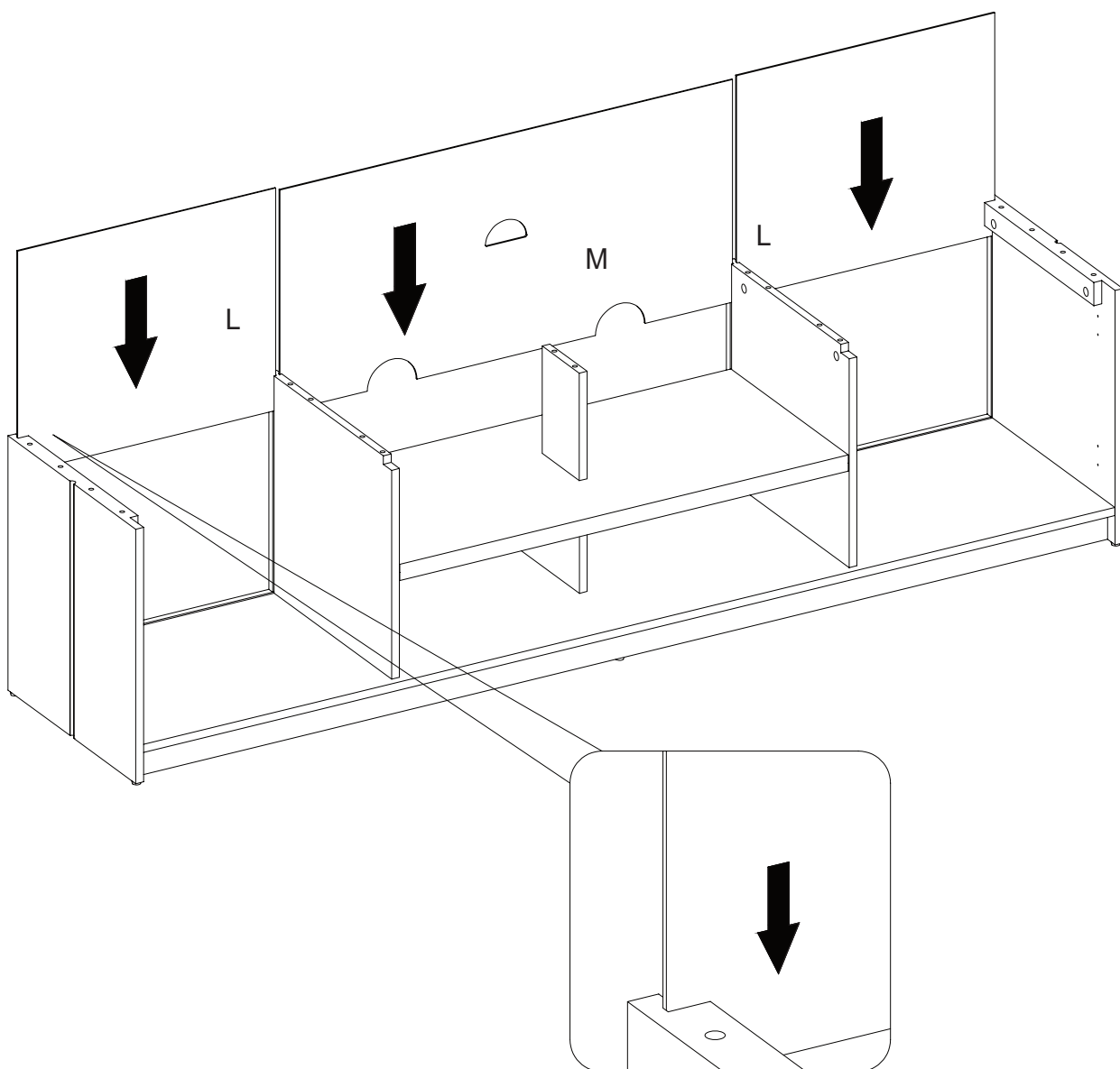
DD



[x2]

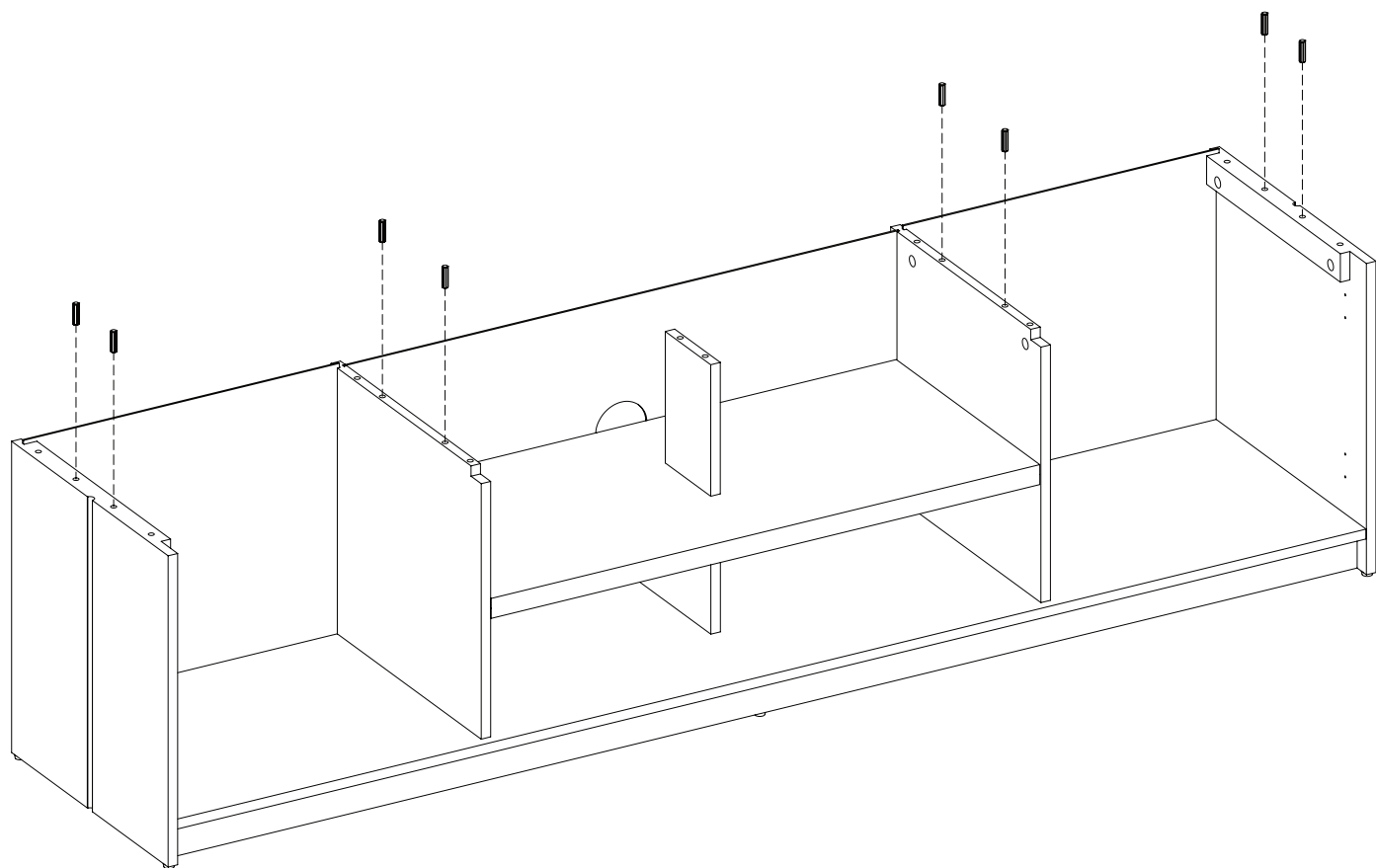
Step 16

Slide the Side back panel (L) and Middle back panel (M) down into the assembled unit.

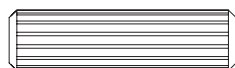


Step 17

Insert the wood dowels (BB) into the assembled unit.



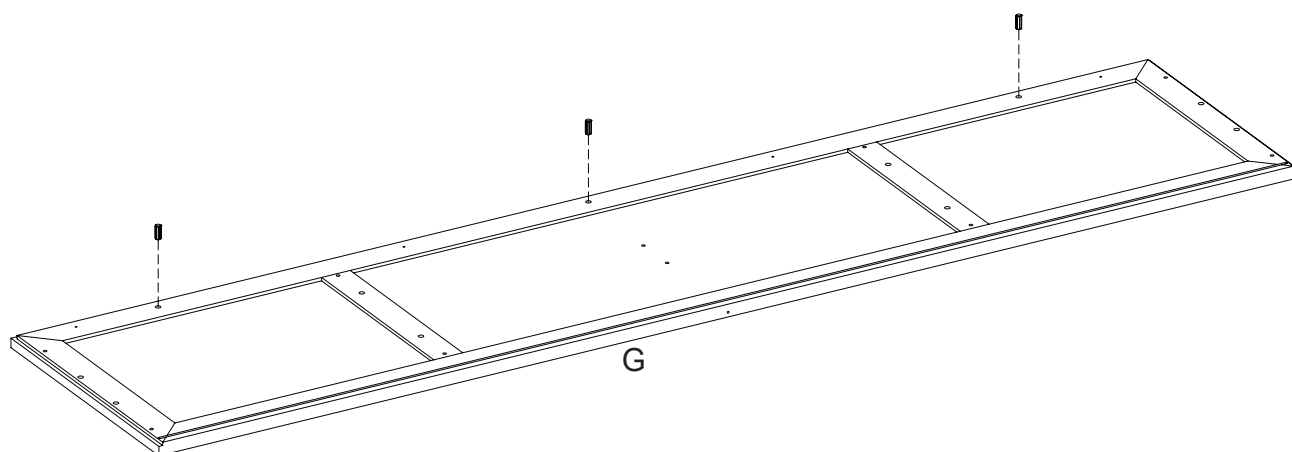
BB



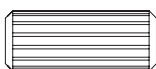
[x8]

Step 18

Insert the wood dowels (GG) into the top panel (G).



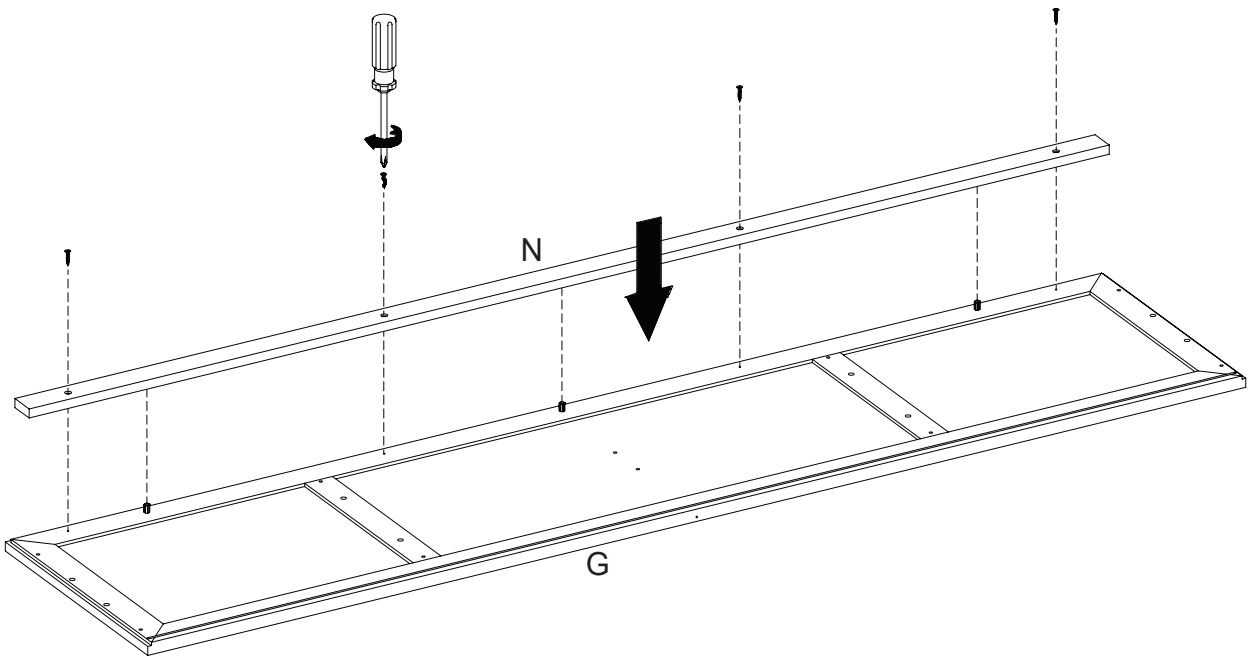
GG



[x3]

Step 19

Attach the top rail (N) to the top panel (G) using screw (HH) as shown.



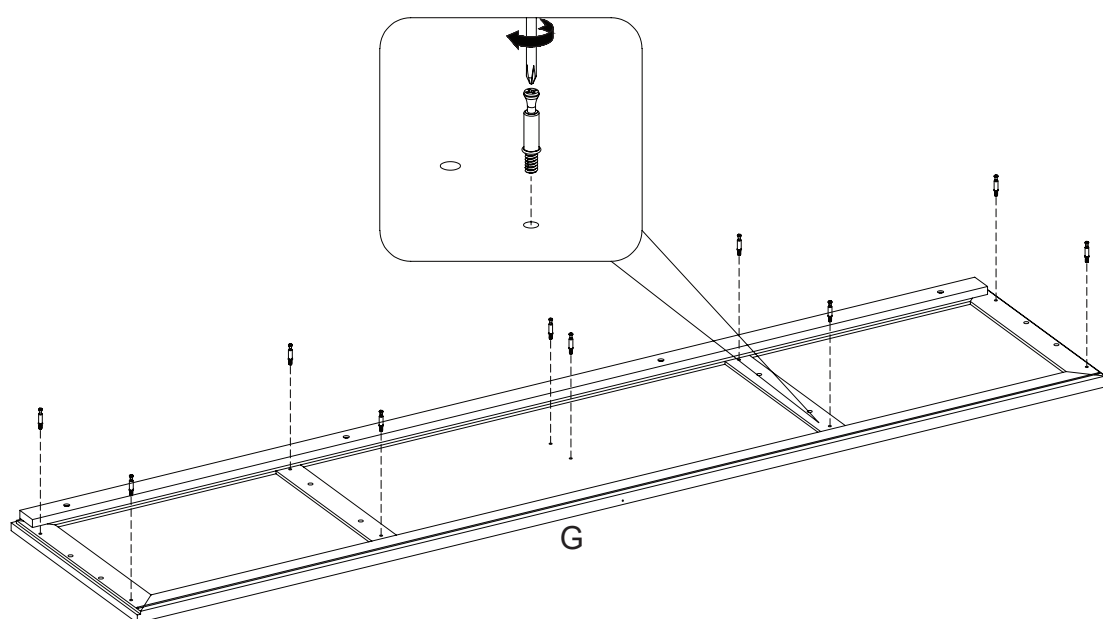
HH



[x4]

Step 20

Screw the cam bolts (AA) into the top panel (G).



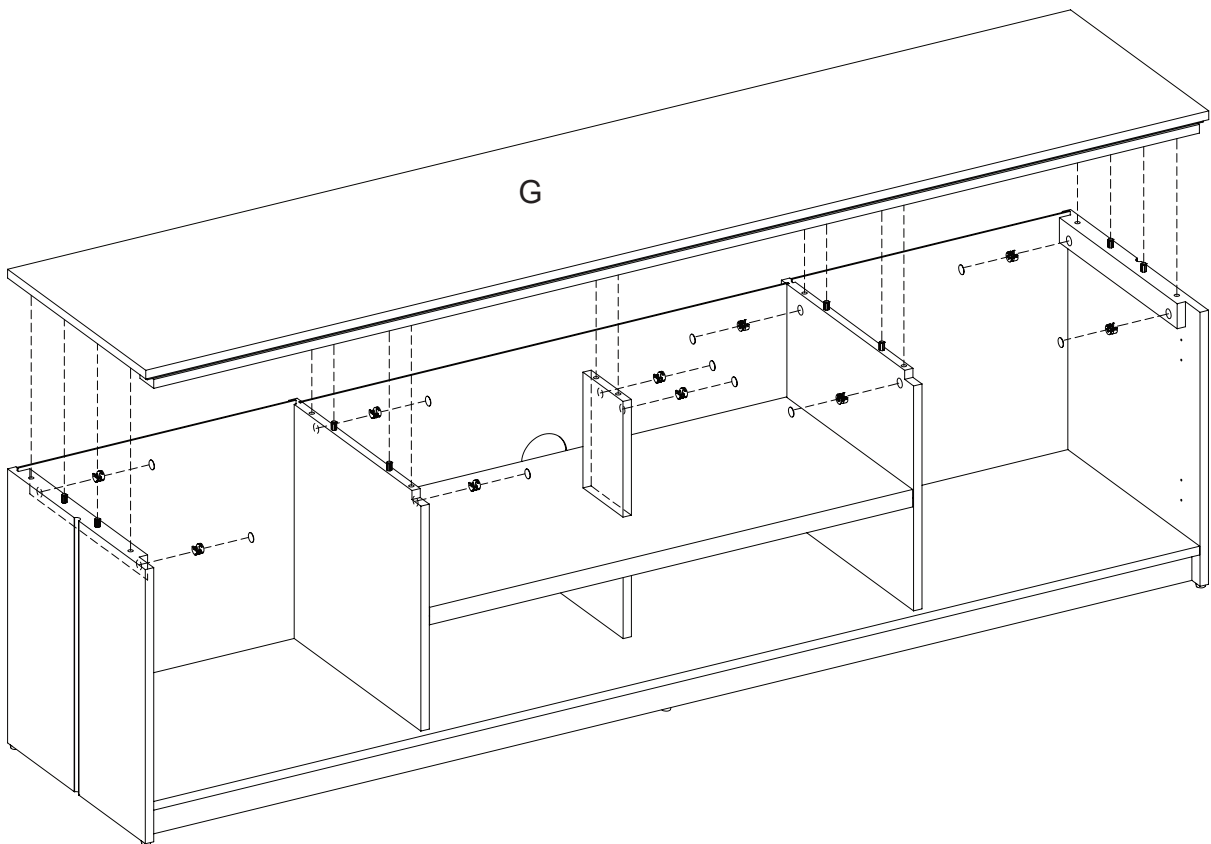
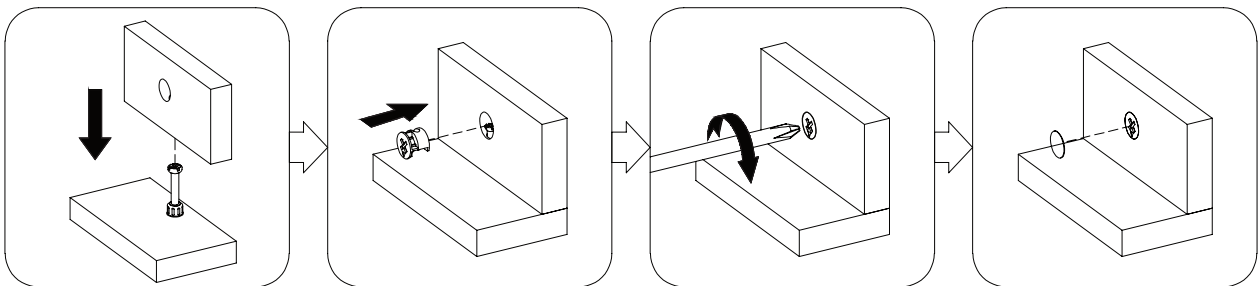
AA



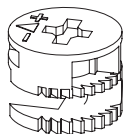
[x10]

Step 21

Next, align the cam bolts in the top panel (G) to the pre-drilled holes in the assembled unit and secure everything into place with the cam locks (CC) and place a cover (DD) over the cam locks.



CC



[x10]

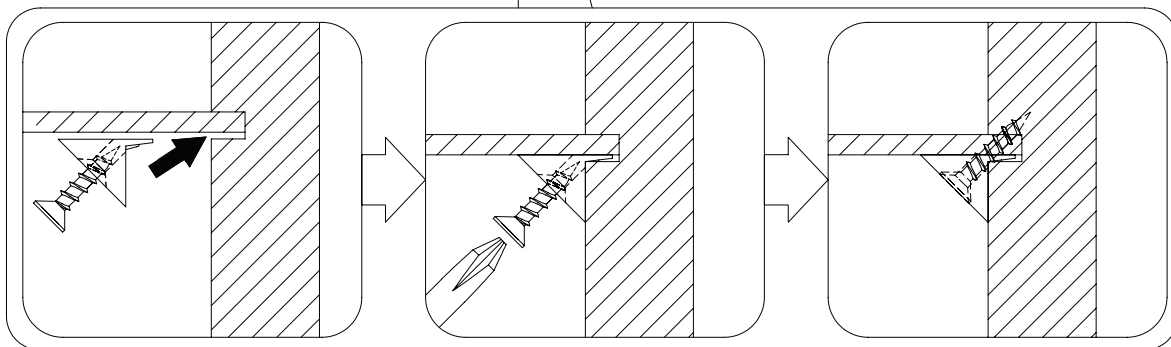
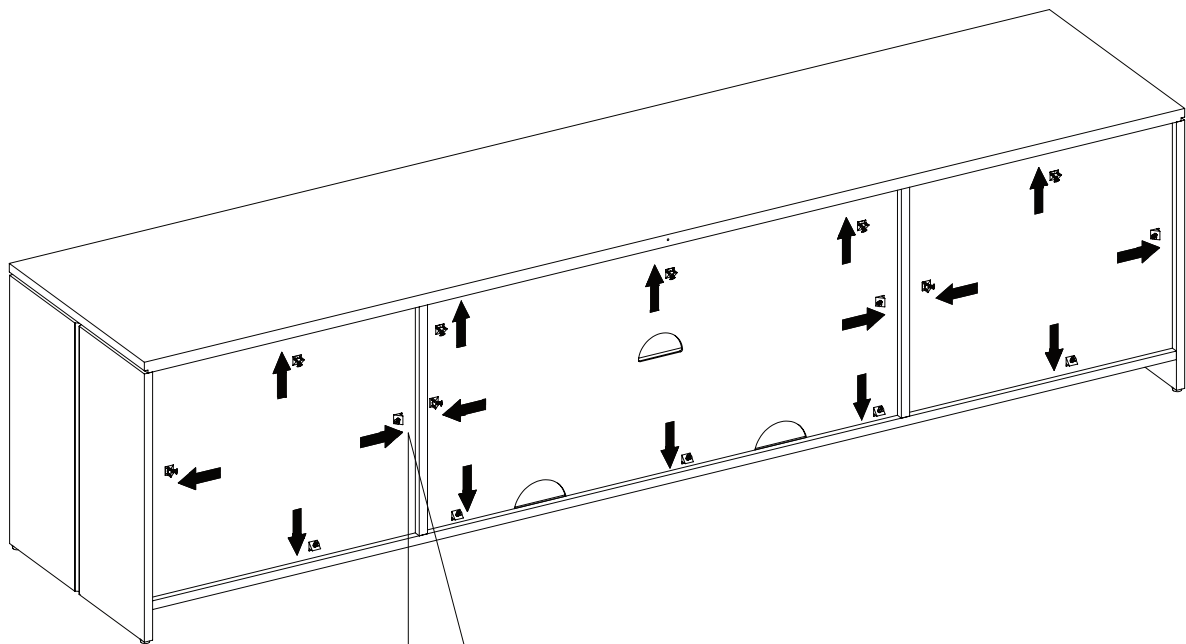
DD



[x10]

Step 22

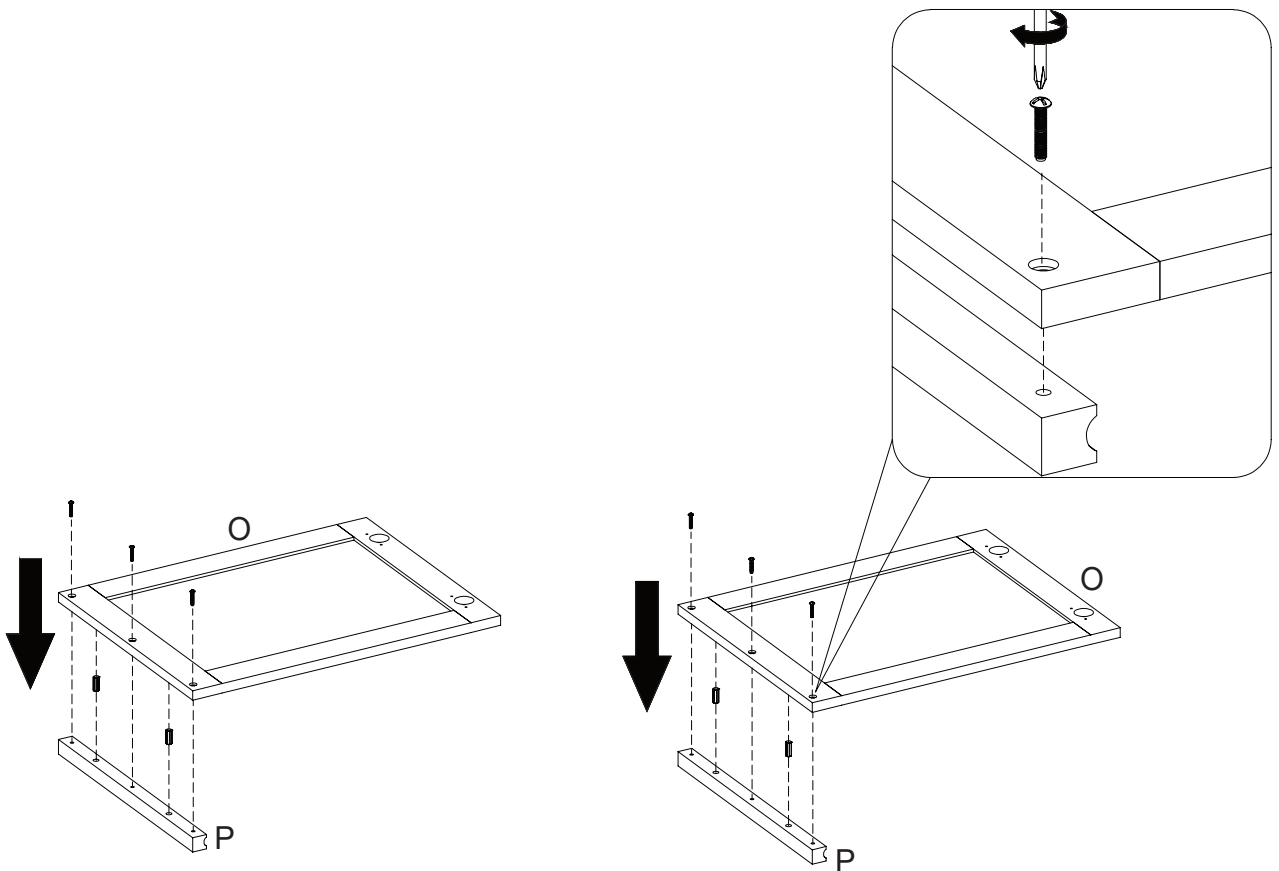
Place the back panel bracket (II) between the back panels and the grooves of the assembly as shown. Fasten each back panel bracket (II) using pre-attached screws.



[x16]

Step 23

Now, align the wood dowels to the pre-drilled holes in the door (O) and door handle (P). Then, secure everything into place with the screws (JJ).



GG



[x4]

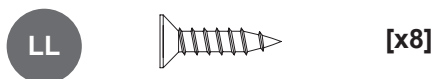
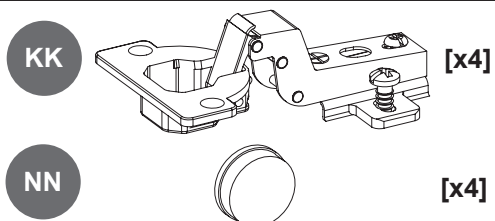
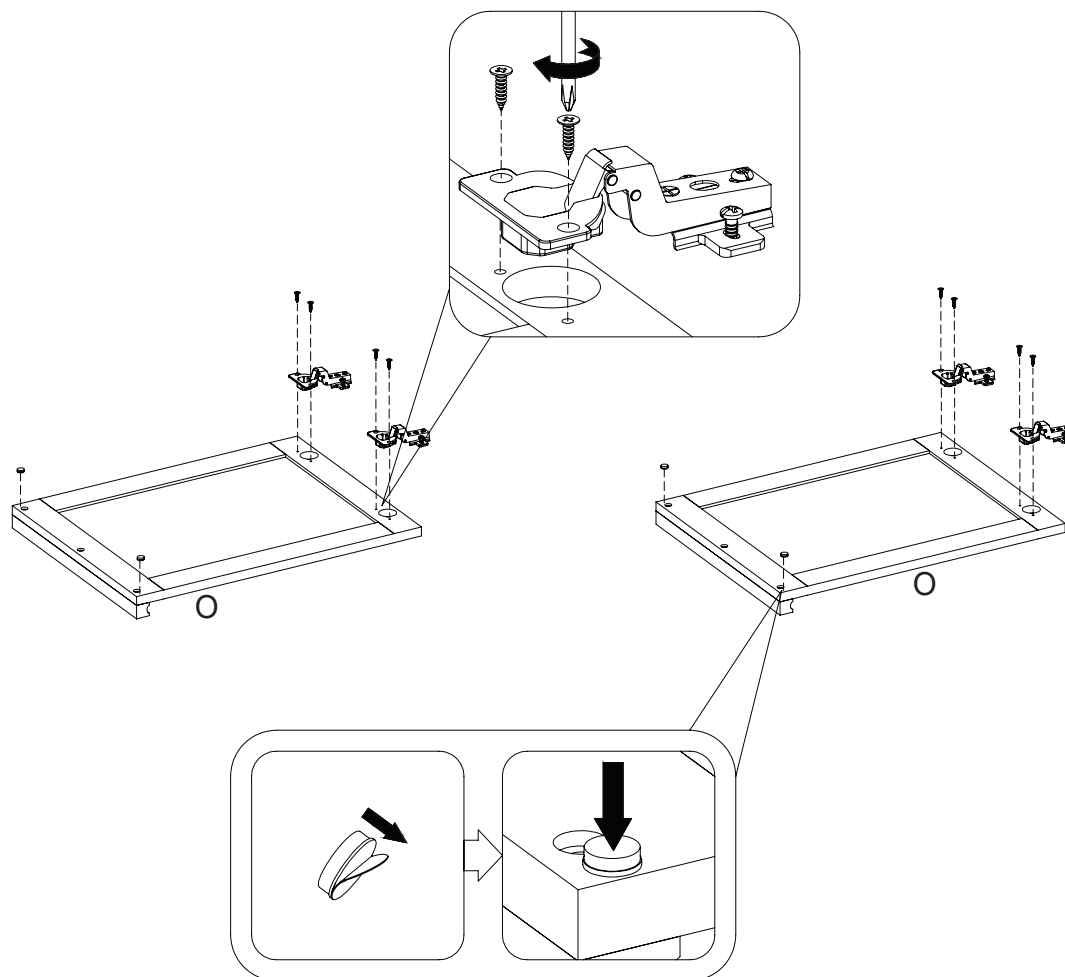
JJ



[x6]

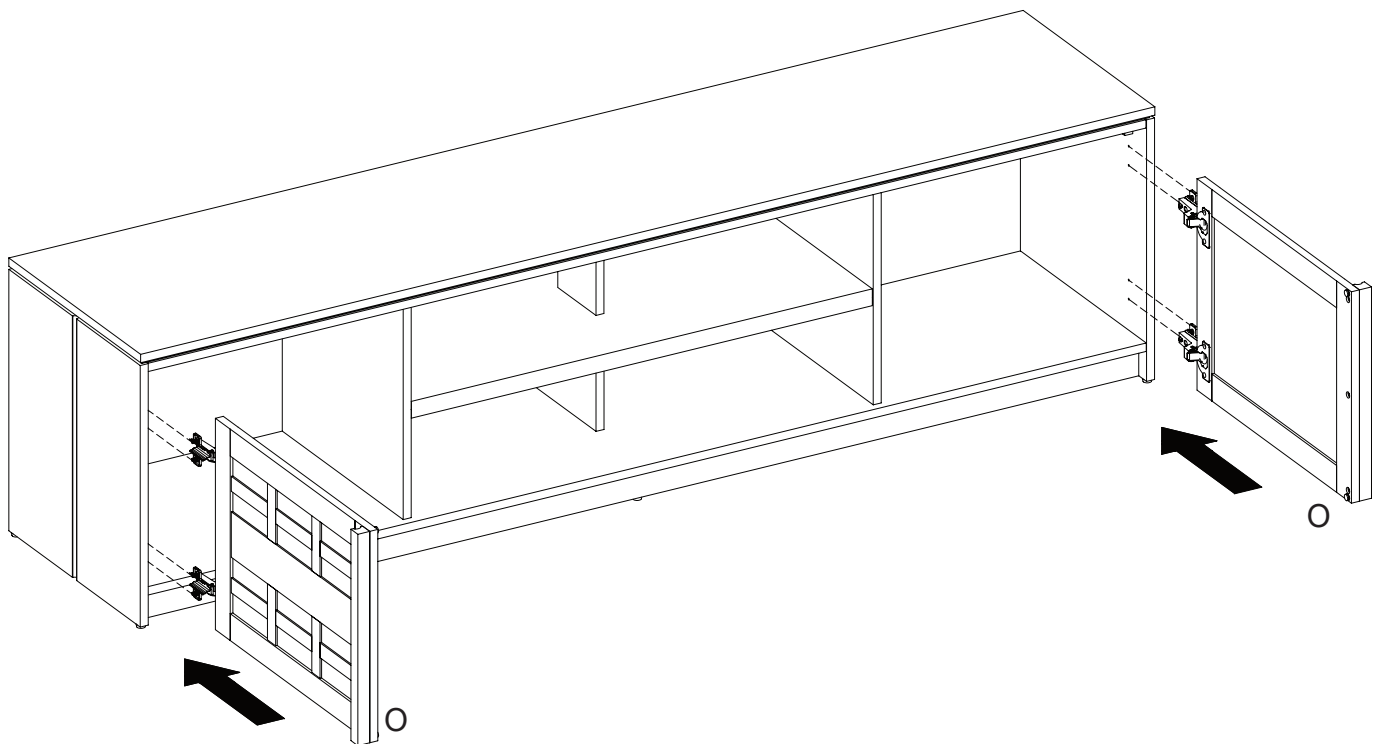
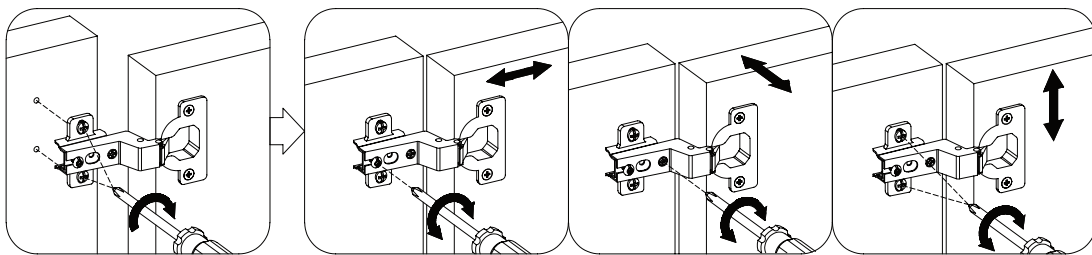
Step 24

Screw the euro hinge (KK) into the pre-drilled holes in the door (O) with screws (LL). Then, place a door bumper (NN) as shown.

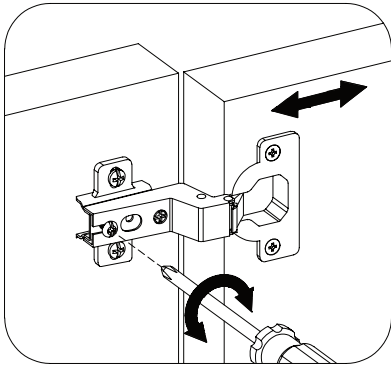


Step 25

Screw the assembled door (O) into the pre-drilled holes in the assembled unit as shown.

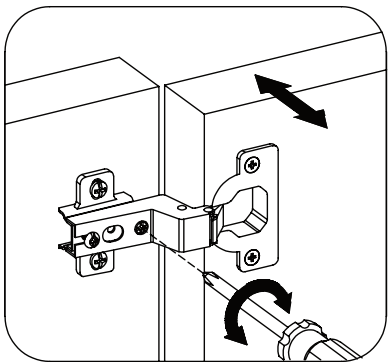


Note: If you find the doors need to be adjusted slightly, turn the appropriate screw as illustrated.



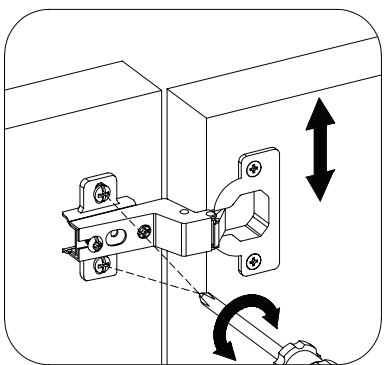
TO ADJUST DOOR FORWARD OR BACKWARD

Loosen the screw and slide the hinge into position, then retighten.



TO ADJUST DOOR RIGHT OR LEFT

Loosen the screw to move the door away from the hinge. Tighten to move the door toward the hinge. Afloje el tornillo para alejar la puerta de la bisagra. Apriete para mover la puerta hacia la bisagra.

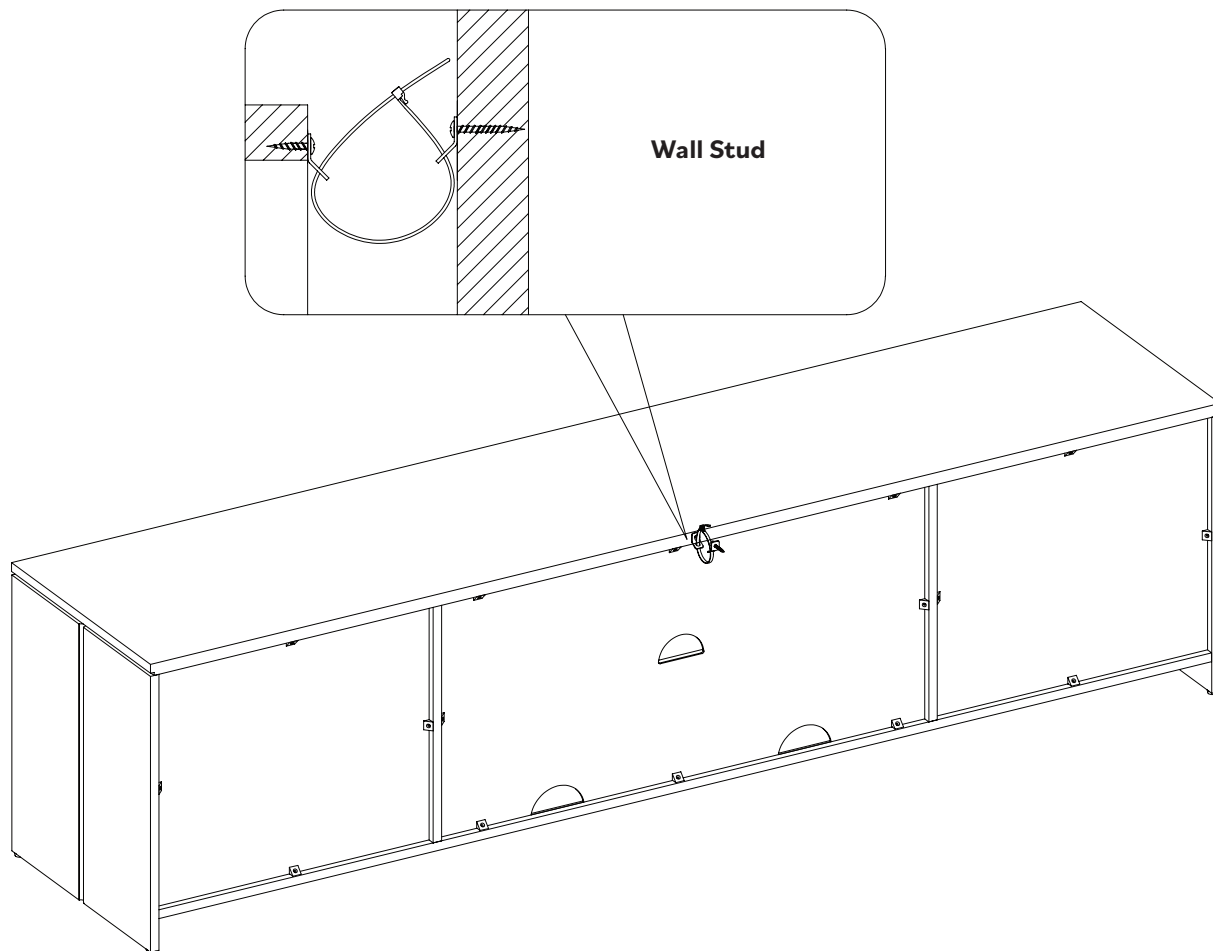


TO ADJUST DOOR UP OR DOWN

Adjust the four screws at the top and bottom of the hinge. Each screw should be loosened or tightened in small increments.

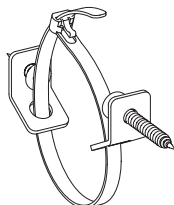
Step 26

Last step! Attach the tip-restraint hardware (MM) to the back of unit.



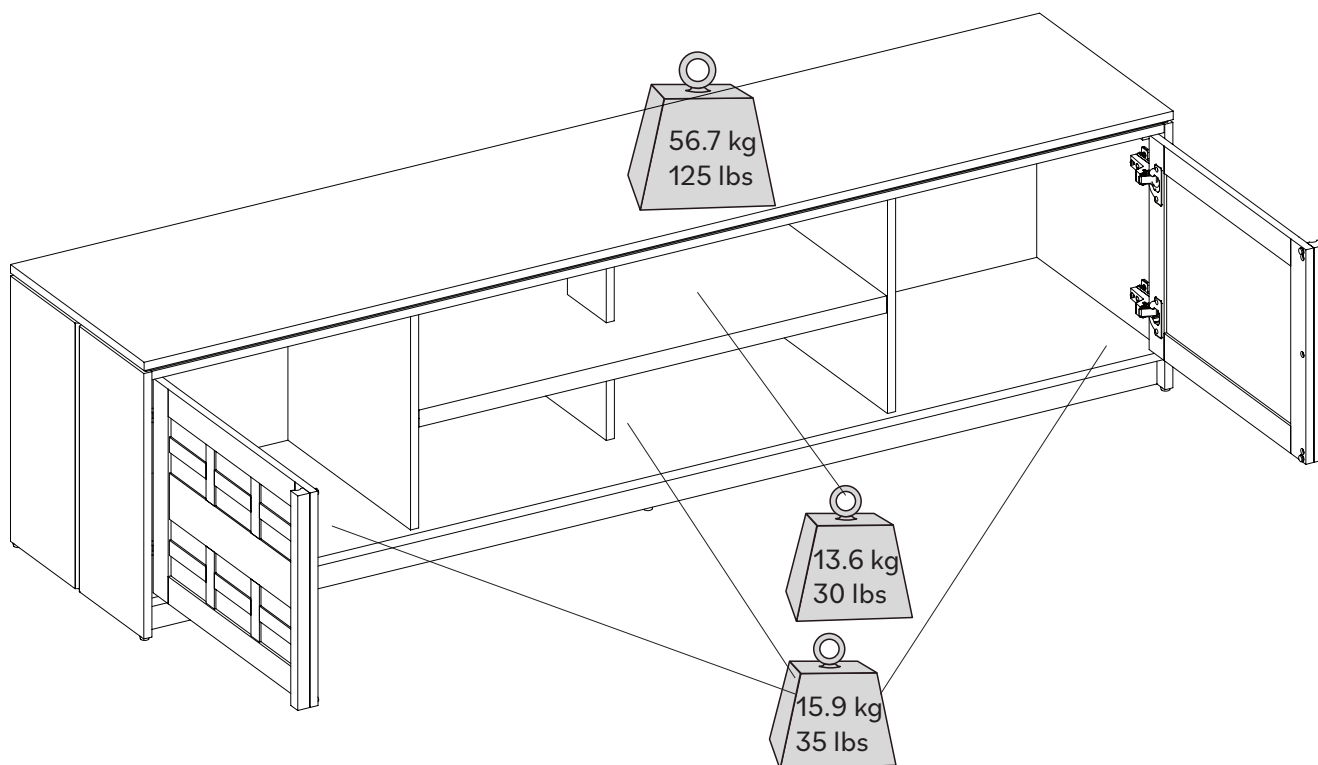
Warning: You must install the tip restraint hardware to help prevent any accidents or damage to the unit. We strongly recommend attaching the tip restraint hardware to a wall stud and your unit. For all other wall types, please visit your local hardware store to obtain the proper hardware.

MM



[x1]

Final Assembly



Congratulations on your new piece of furniture!

We would love to hear about it and see it.
Please leave us a review or post a picture with
#mywalkeredisonhome

Assembling furniture can be tricky sometimes.

Our customer service team, located in Utah, is here for product information, help assembling a product, or for any other customer support issue

Call us at **801-433-3008**

Email us at service@walkeredison.com

Visit our Customer Service website at walkeredison.com/pages/customer-service

We are available to help Monday -Thursday 8am-5pm, Friday 8am-3pm MST

For details on Assembly Videos, Assembly Instructions, Replacement Parts, and Customer service,

SCAN HERE

