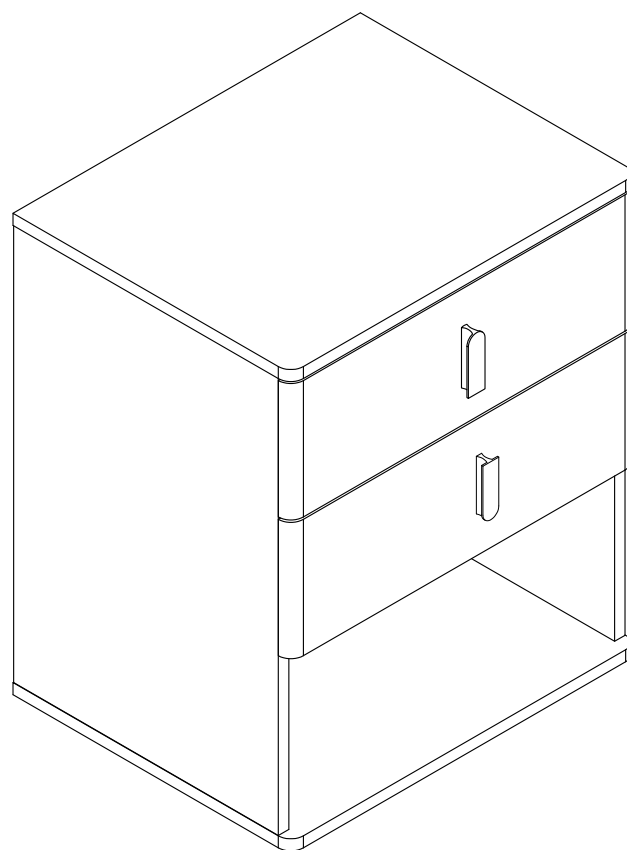
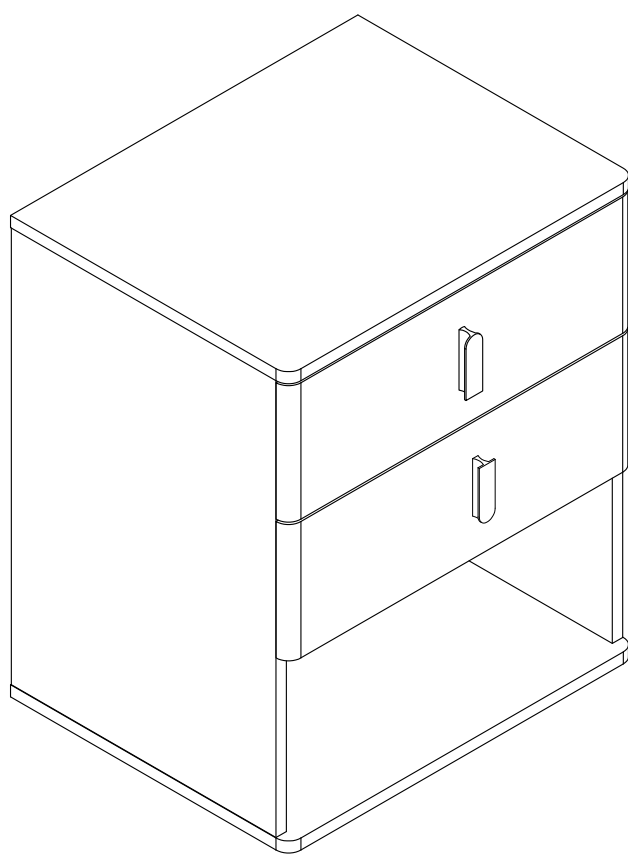


















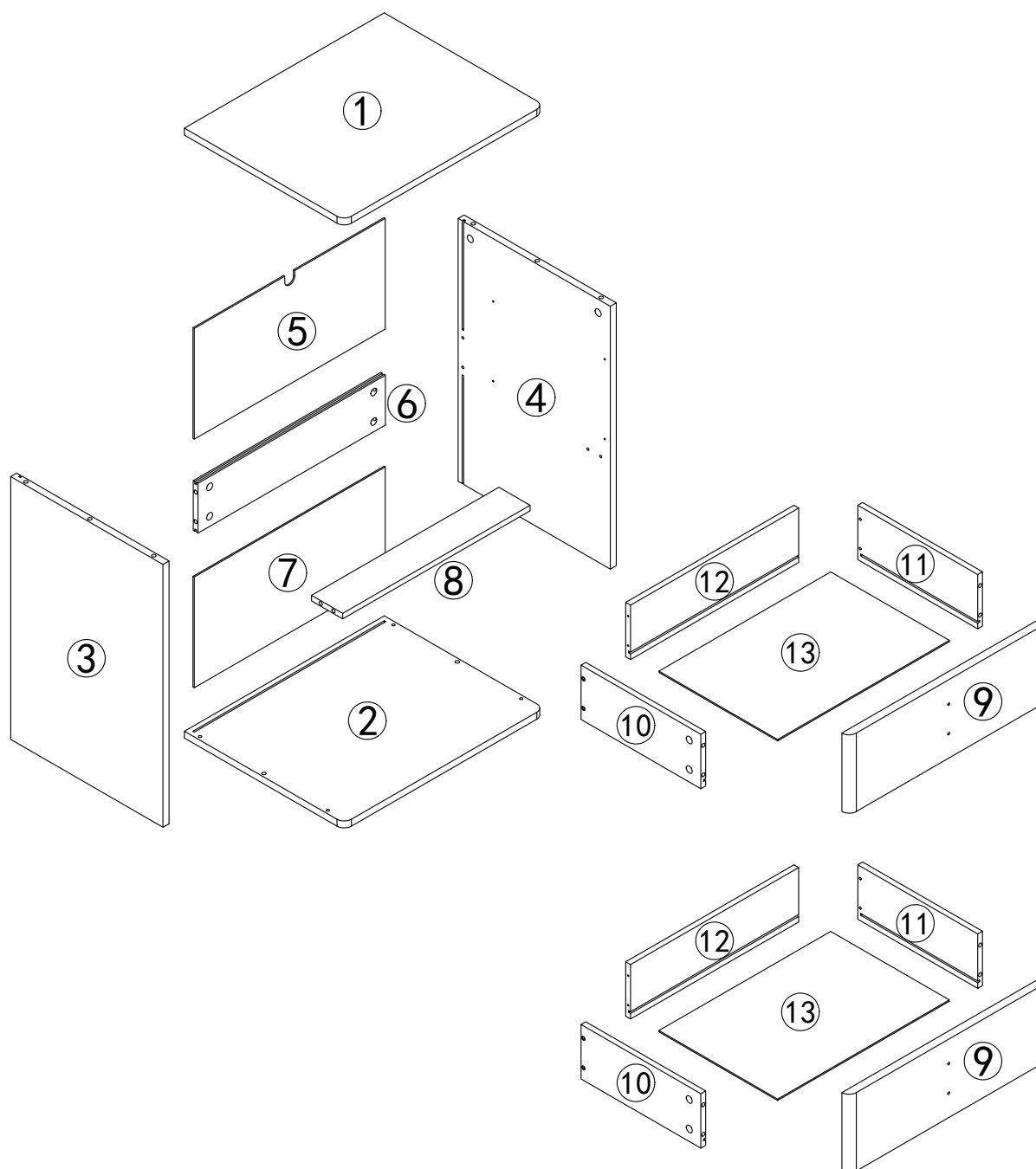
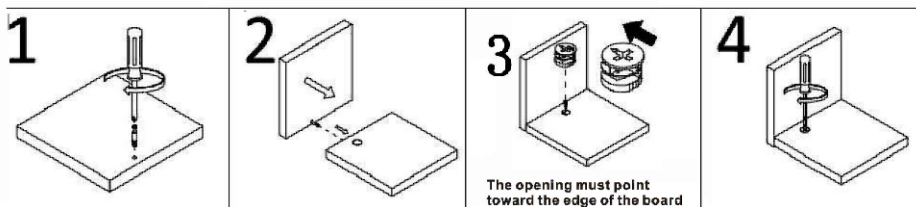
Assembly Instruction



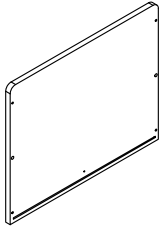
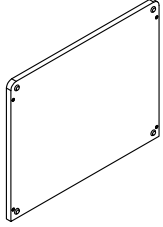
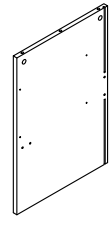

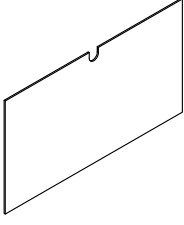
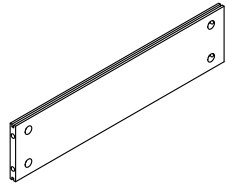
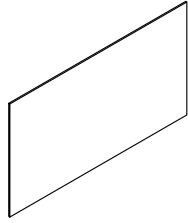
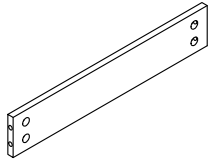
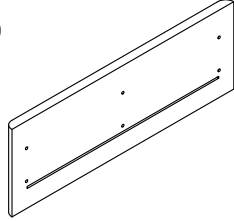
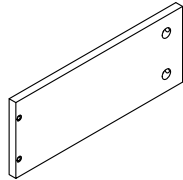
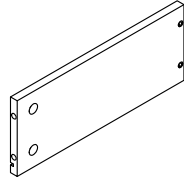
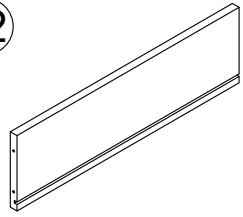
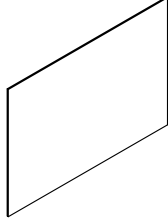
A	X40	B	X40	C	X40	D	X16	E	X1	F	X8	G	X8	H	X8
															
M6x35mm		Ø15x9mm		M3.5x12mm		M3x16mm		4mm		M5x40mm		Ø8x30mm		M4x22mm	
I	X4	J	X18	K	X2	M	X2	N	X2	O	X16	L	X4	R	X4
															
		M4x35mm		Ø6x30mm				M4x12mm							

Cam Lock Fastening System

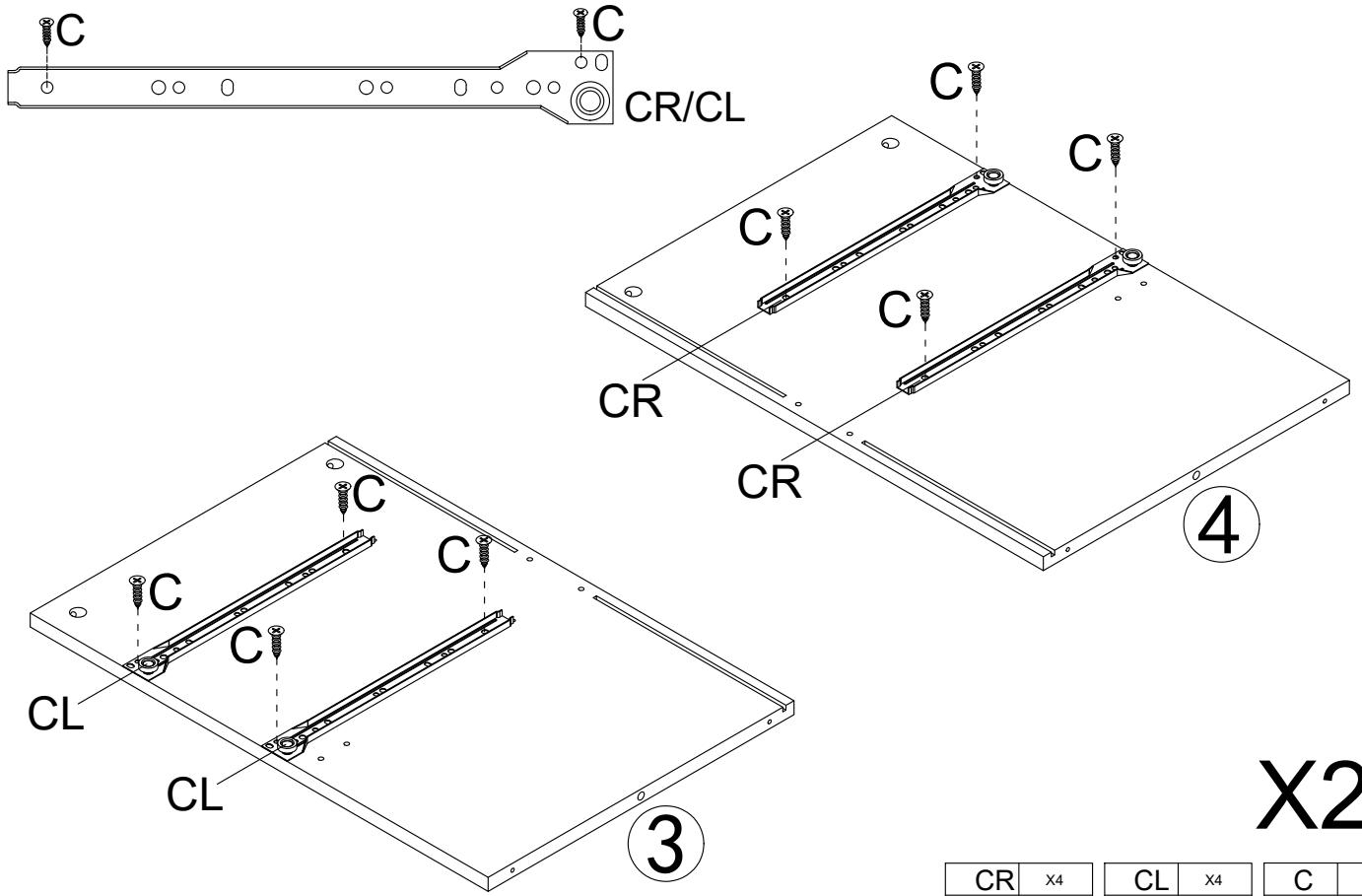
Insert the cam bolt into the hole first, then insert the cam lock and lock it.



X2

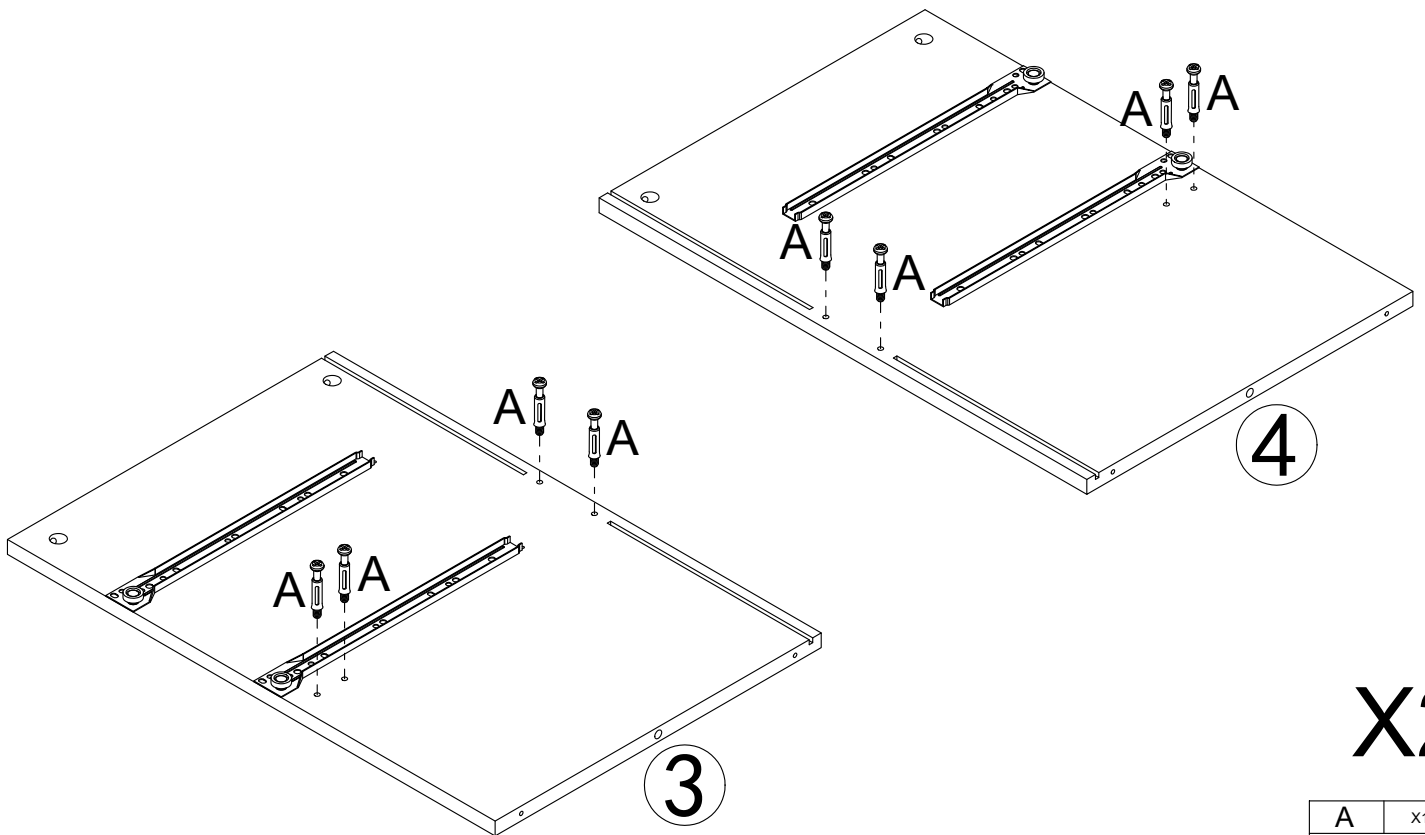
<p>①</p> 	<p>②</p> 	<p>③</p> 	<p>④</p> 
<p>2PCS</p>	<p>2PCS</p>	<p>2PCS</p>	<p>2PCS</p>
<p>⑤</p> 	<p>⑥</p> 	<p>⑦</p> 	<p>⑧</p> 
<p>2PCS</p>	<p>2PCS</p>	<p>2PCS</p>	<p>2PCS</p>
<p>⑨</p> 	<p>⑩</p> 	<p>⑪</p> 	<p>⑫</p> 
<p>4PCS</p>	<p>4PCS</p>	<p>4PCS</p>	<p>4PCS</p>
<p>⑬</p> 			
<p>4PCS</p>			

1



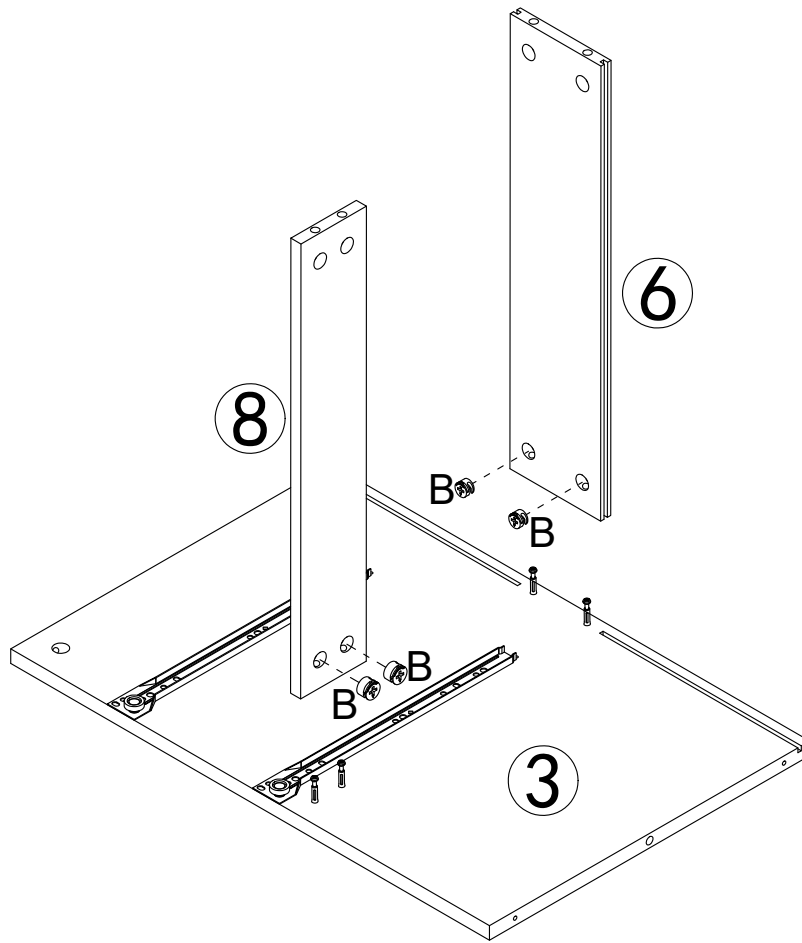
CR	X4	CL	X4	C	X16
M3.5x12mm					

2




A	X16
M6x35mm	

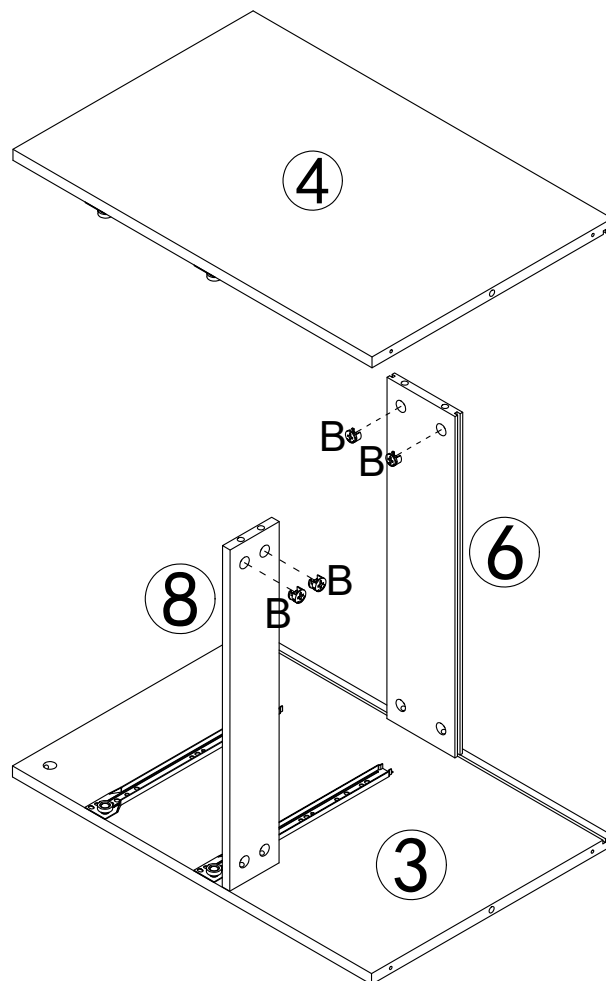
3




X2

B	X8
	
Ø15x9mm	

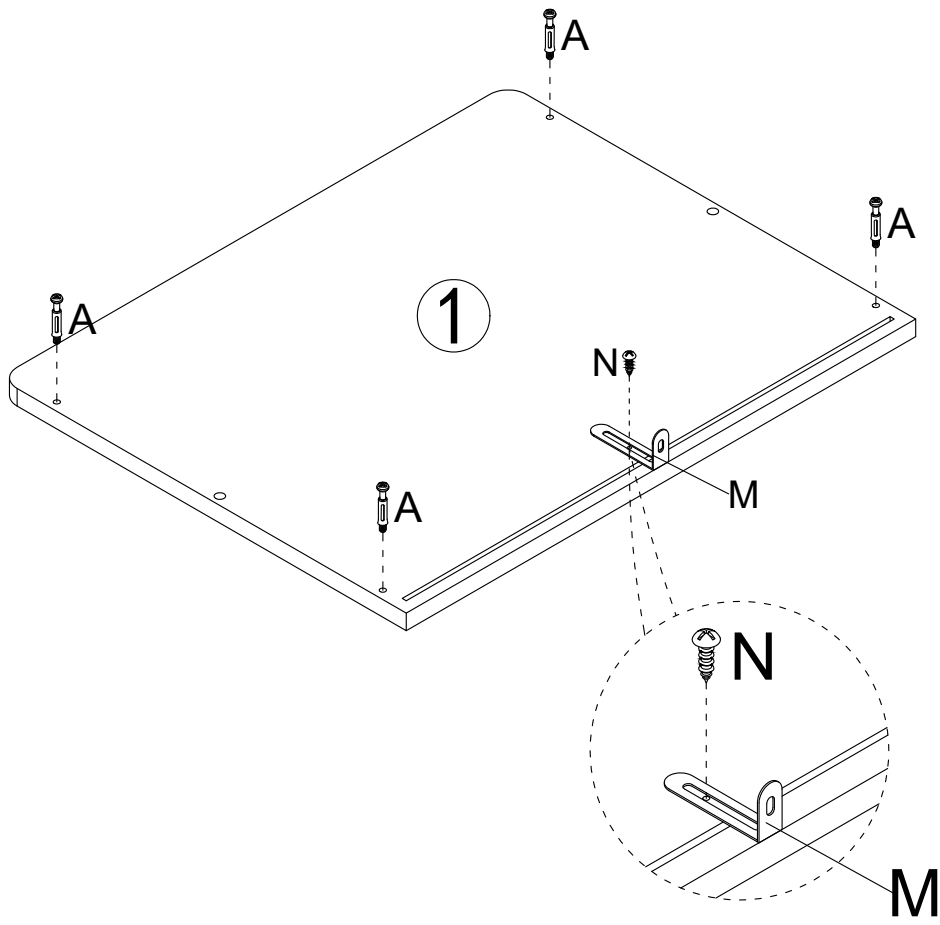
4




X2


B	X8
	
Ø15x9mm	


5



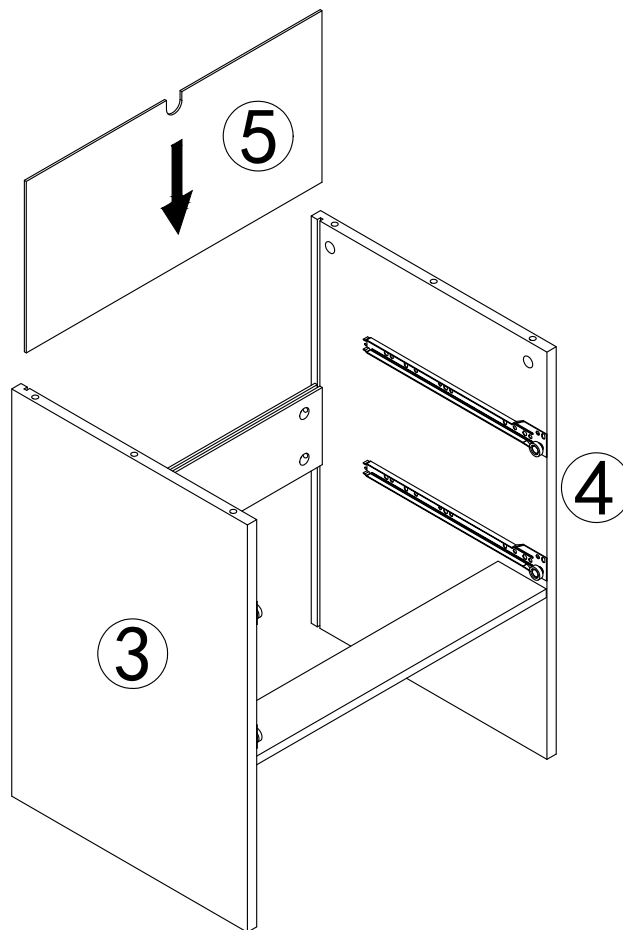
X2

A	X8
	
M6x35mm	

M	X2
	

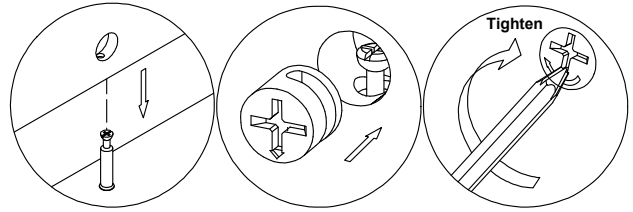
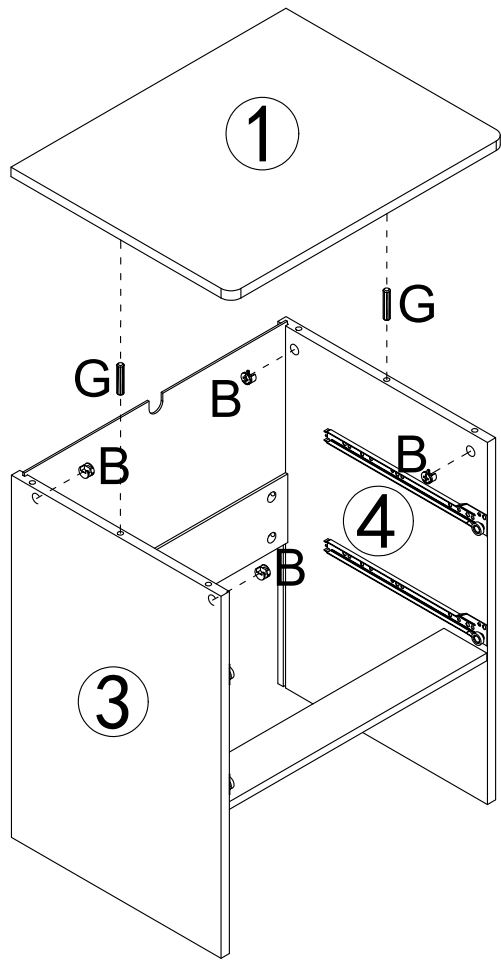
N	X2
	
M4x12m	

6





X2

7

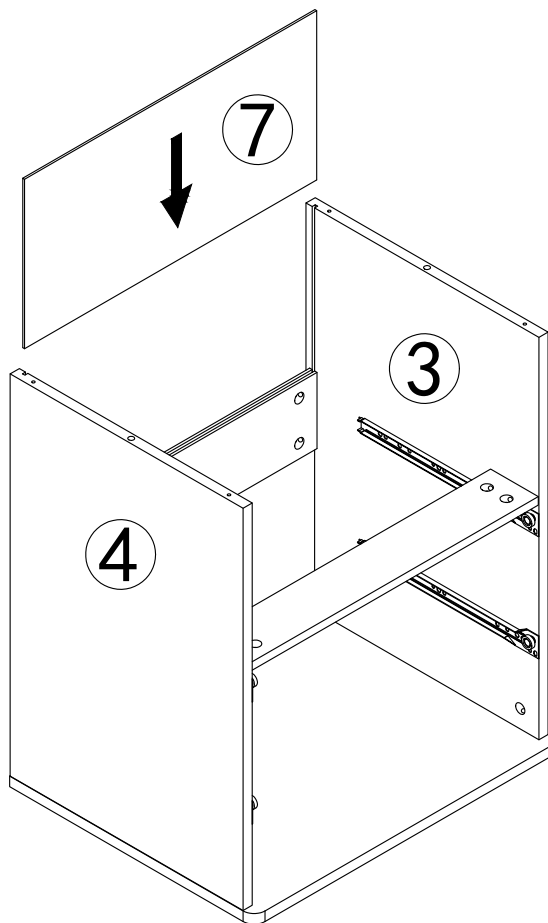


X2

B	X8
	
Ø15x9mm	

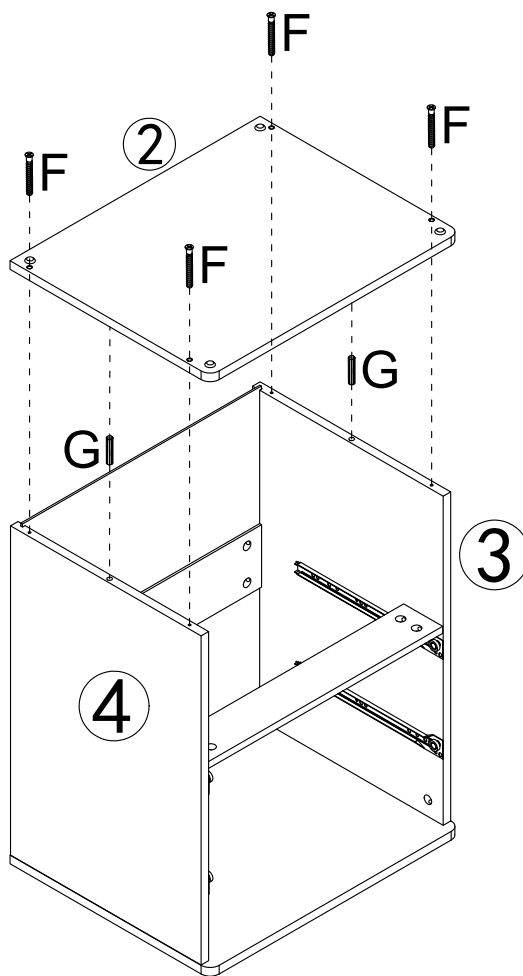
G	X4
	
Ø8x30mm	

8





X2

9



X2

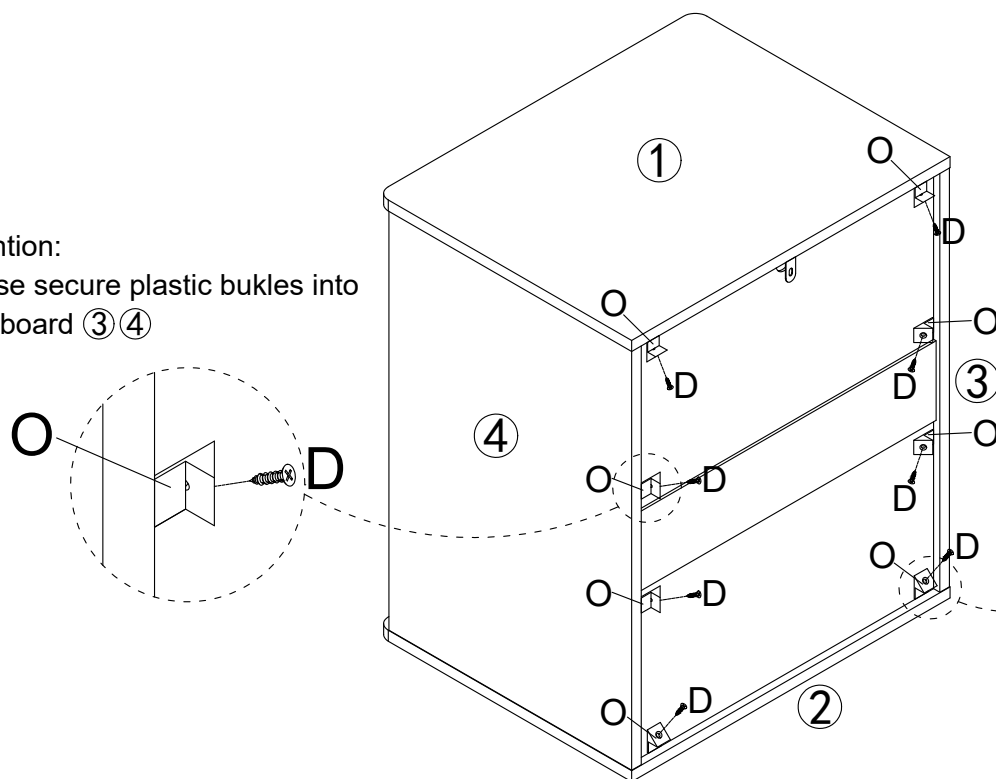
F	X8
	
M5x40mm	

G	X4
	
Ø8x30mm	


10


Attention:
Please secure plastic bucles into
side board ③④

Attention:
Please secure plastic bucles into
top ① and bottom board ②

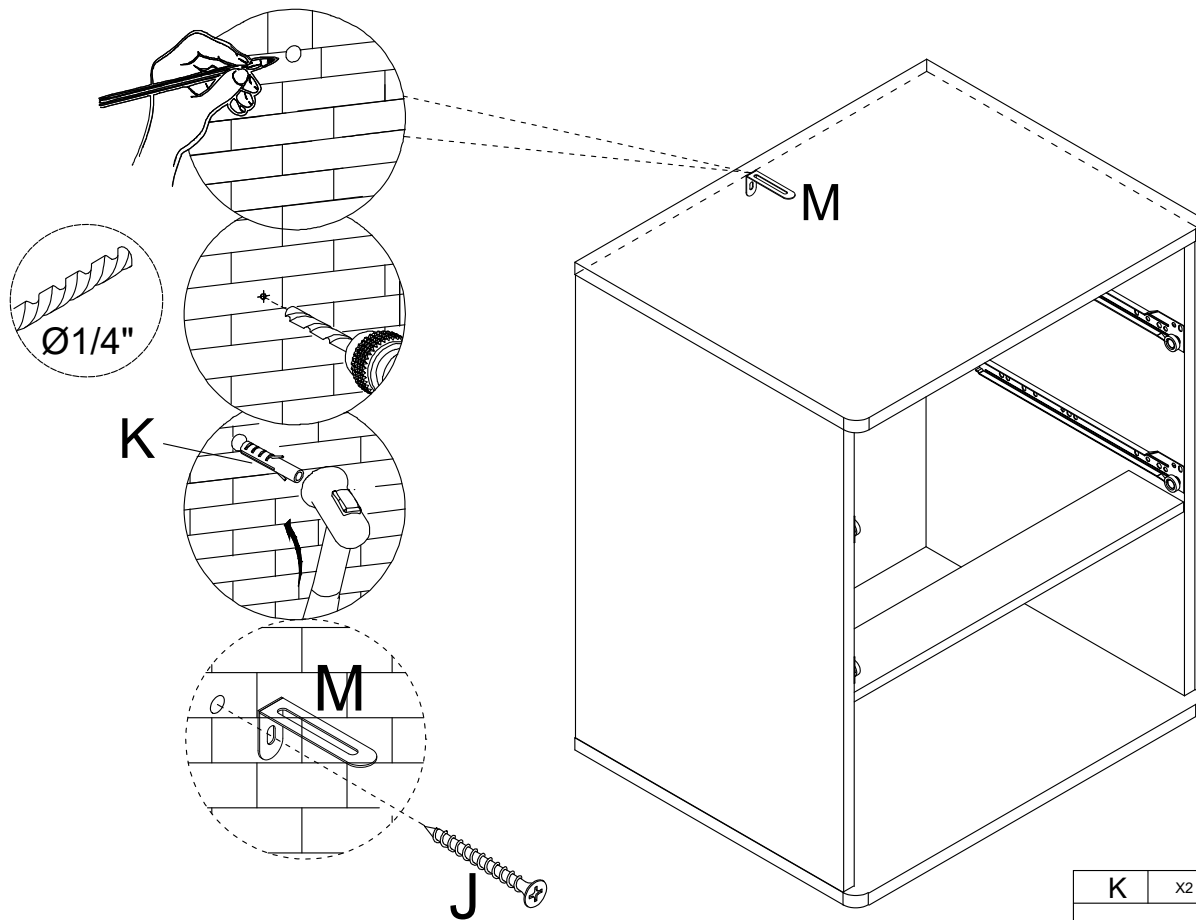


X2


O	X16
	


D	X16
	
M3x16mm	

11

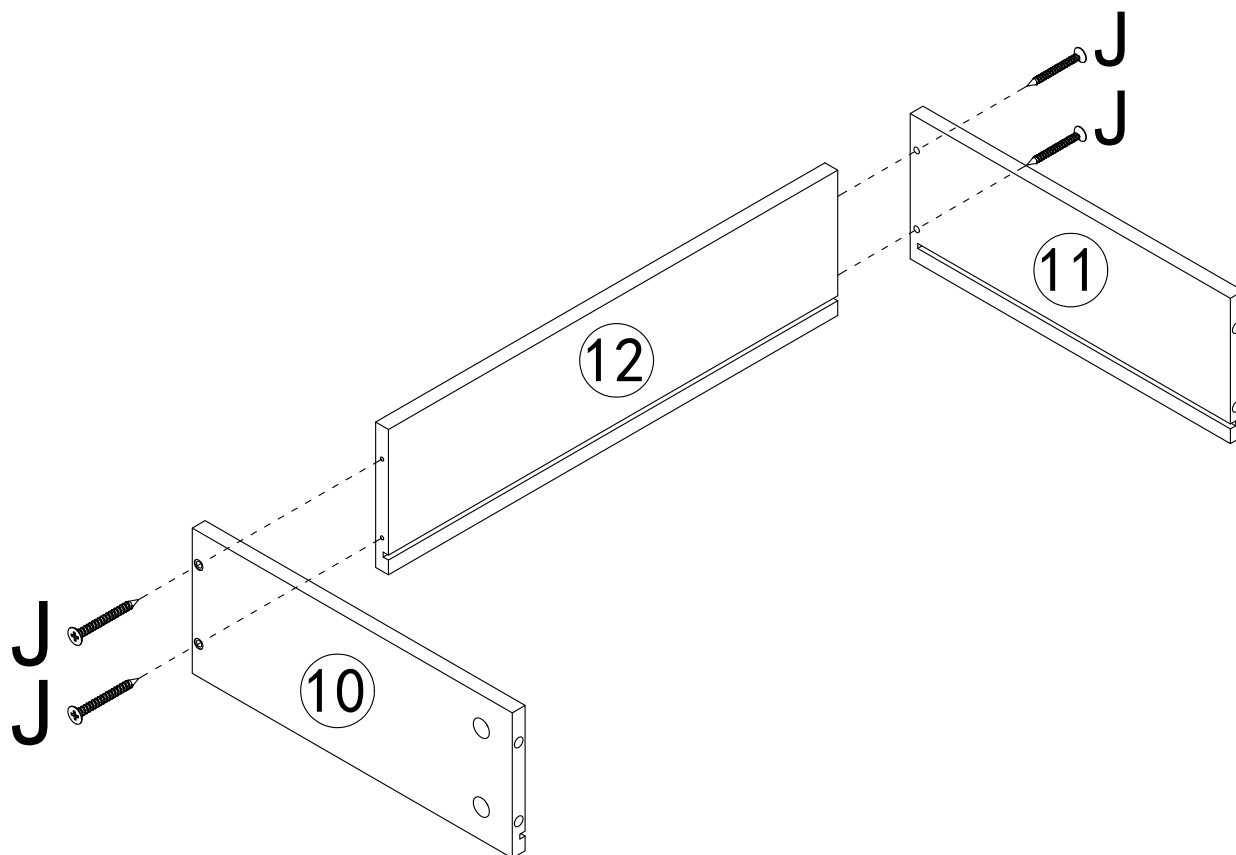


X2


K	X2
	
Ø6x30mm	

J	X2
	
M4x35mm	

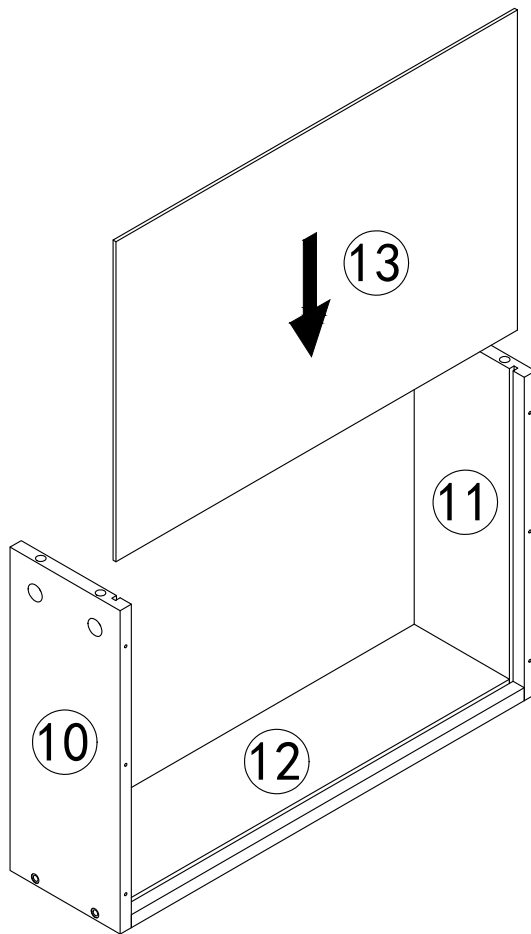
12



X4

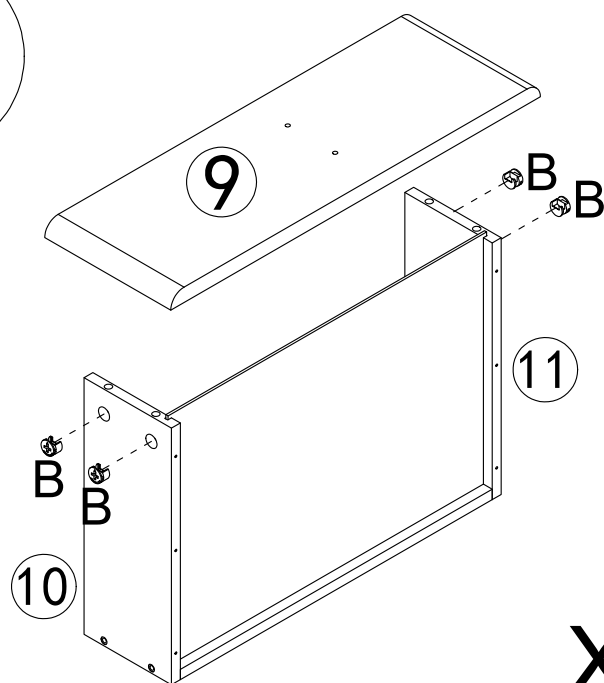
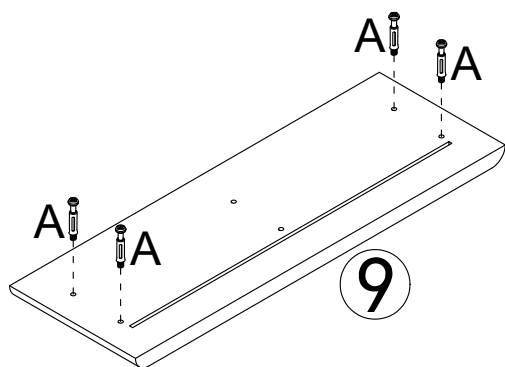
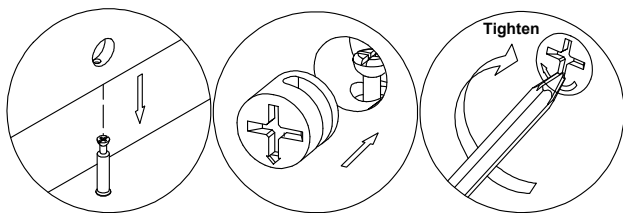
J	X16
	
M4x35mm	

13





X4

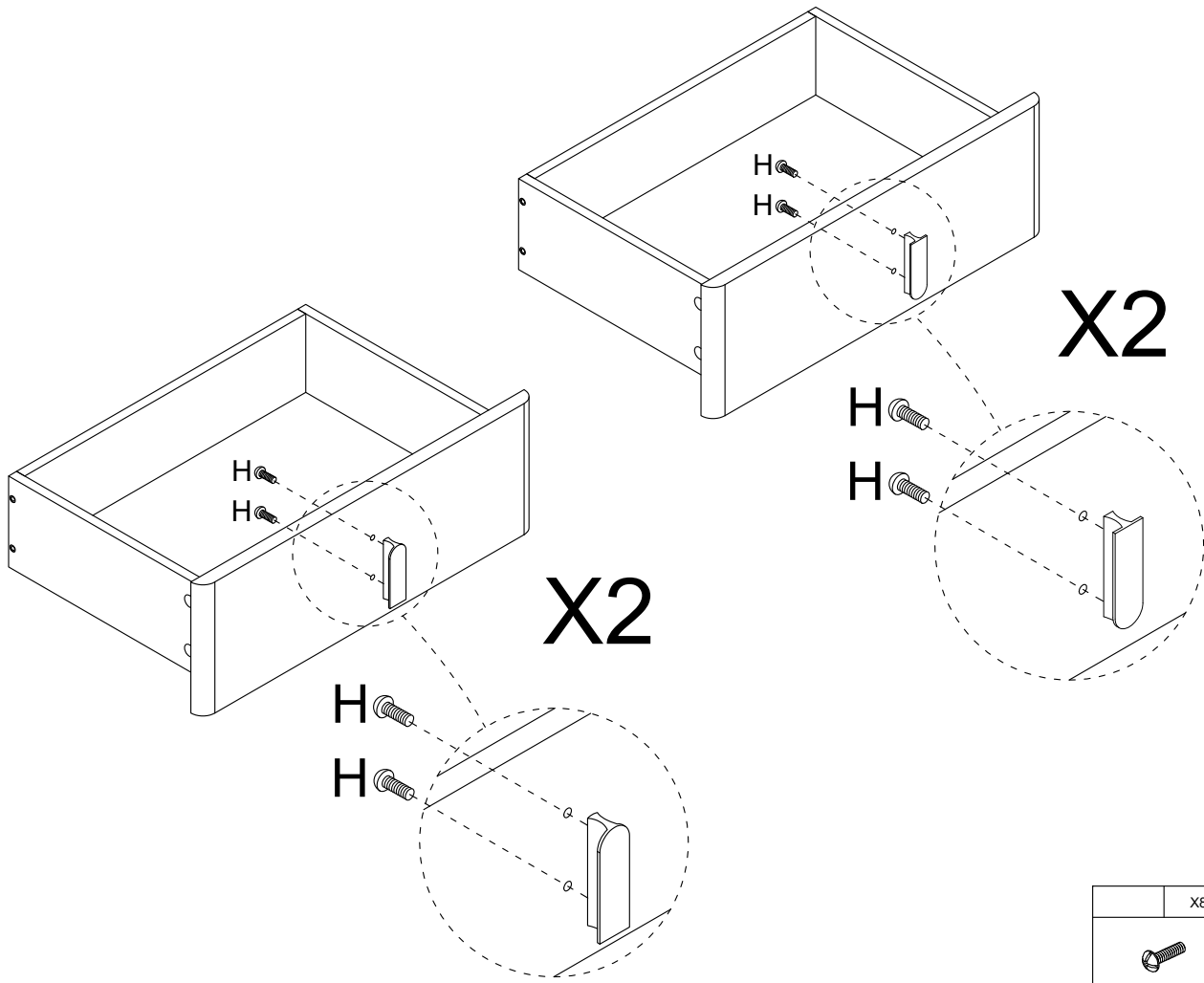
14





X4

A	X16	B	X16
			
M6x35mm		Ø15x9mm	

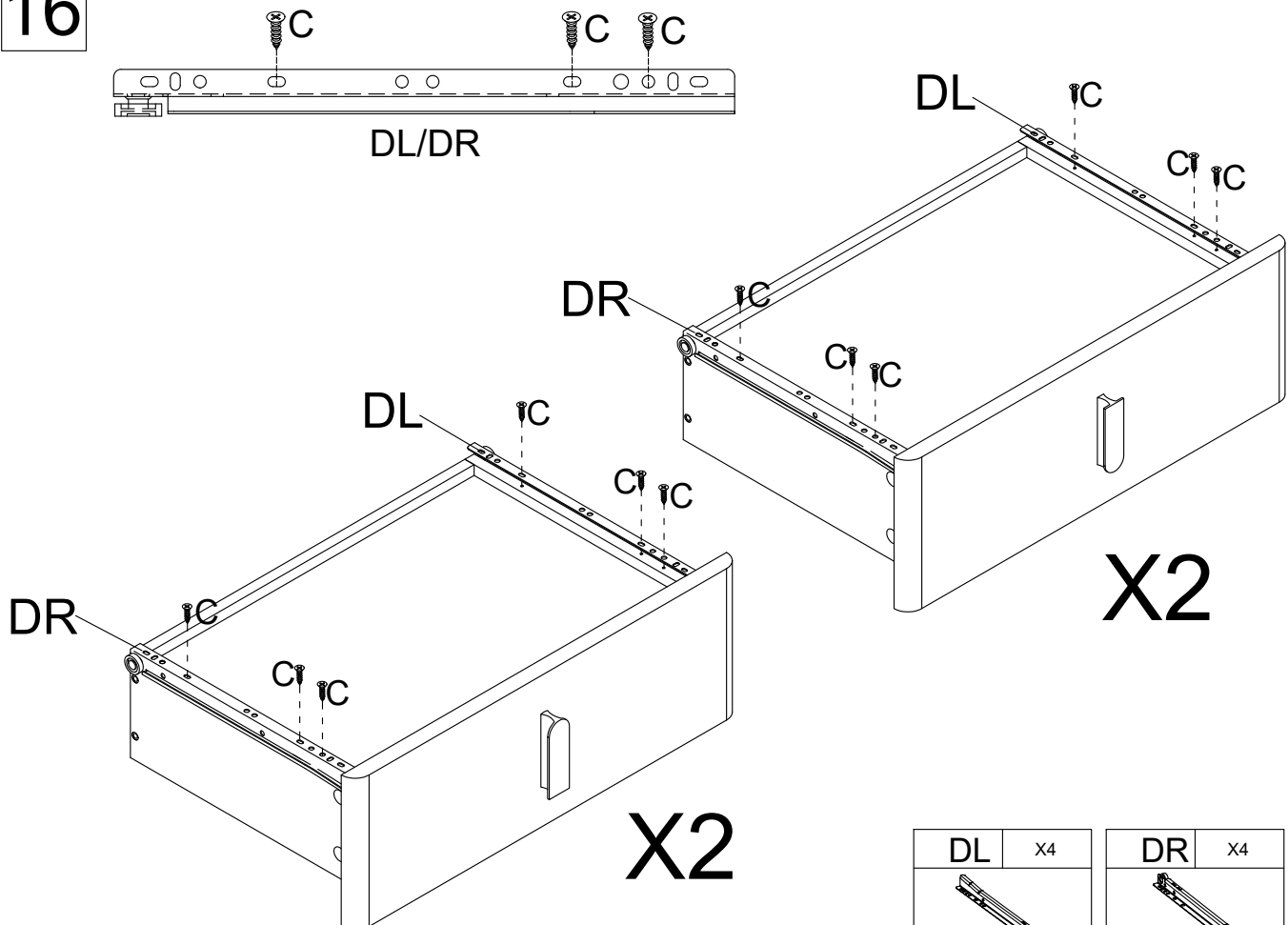
15

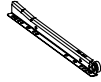


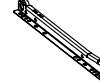
	X8
	
M4x22mm	


I	X4
	

16

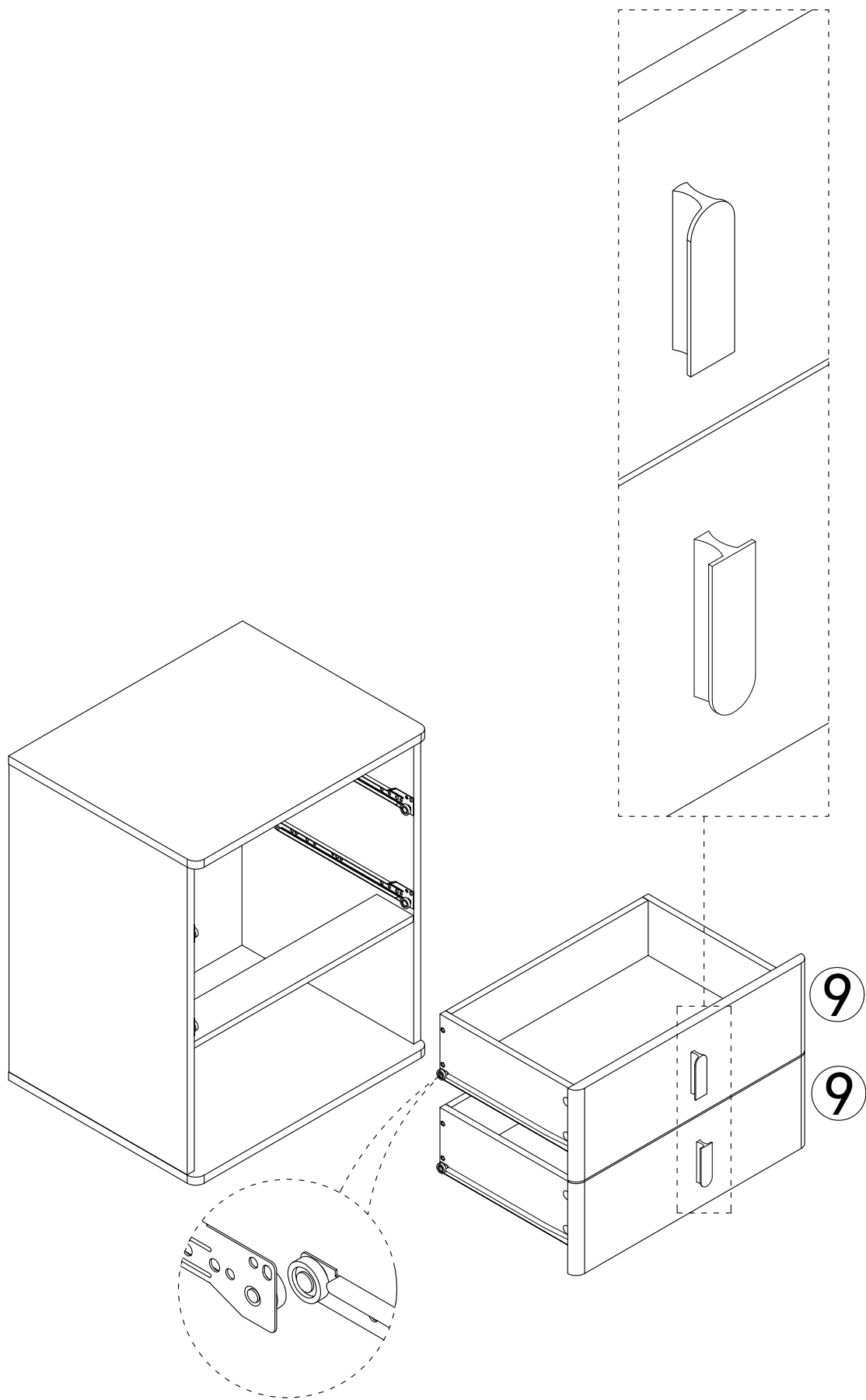


DL	X4
	

DR	X4
	

C	X24
	
M3.5x12mm	

17



X2