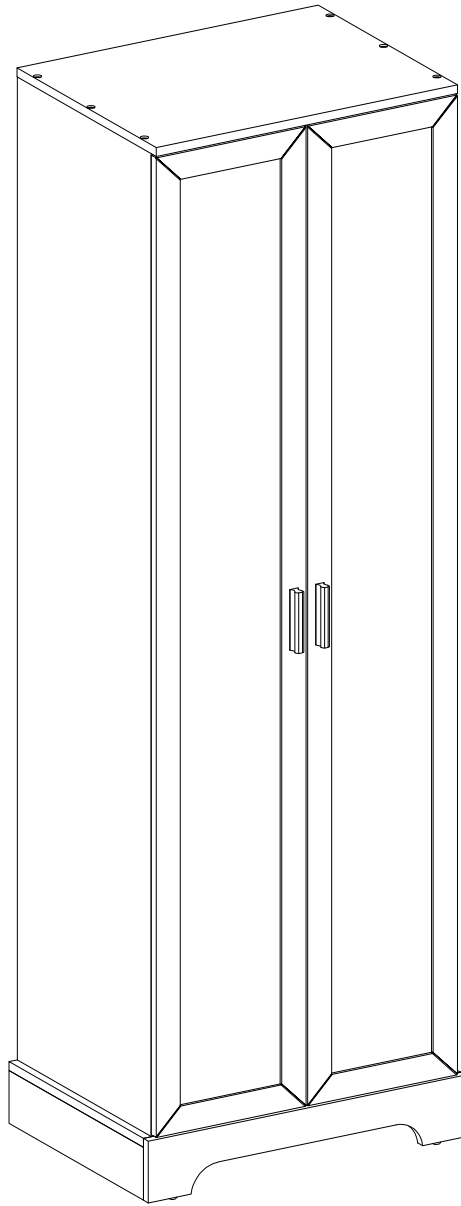


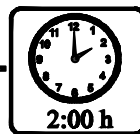
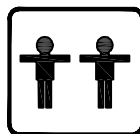
ASSEMBLY INSTRUCTIONS

STORAGE CABINET

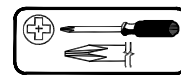


Thank you for purchasing this quality product. Be sure to check all packaging material carefully for small parts which may have come loose inside the carton during shipment. Separate, identify and count all parts and hardware. Compare with the parts list to be sure all parts are present.
"DO NOT TIGHTEN SCREWS UNTIL COMPLETELY ASSEMBLED"

• Use of power tool to assemble this product will invalidate any claim and damage this product making unsafe !!!
• Please assemble on a clean soft surface to avoid damage.



Tools Required



(Not included)

IMPORTANT:

PLEASE READ INSTRUCTION BEFORE STARTING THE ASSEMBLY

Before Installation

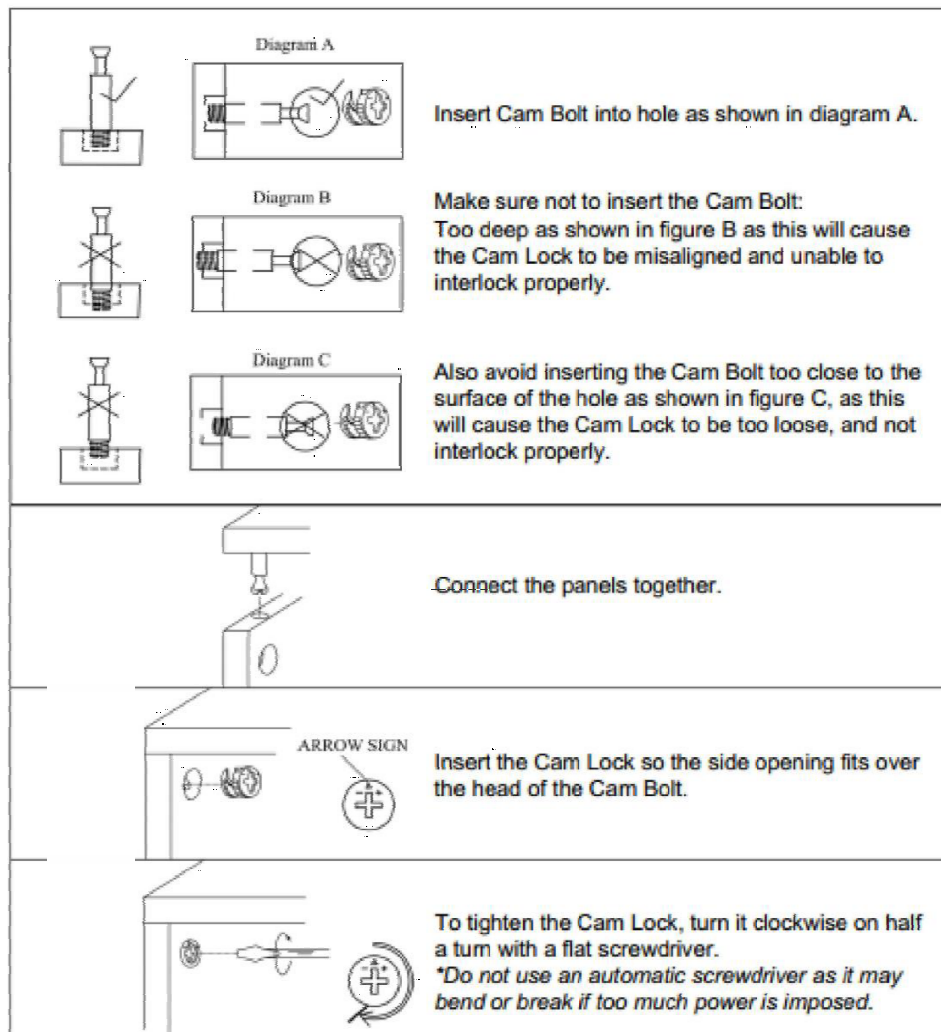
Important - Please read these instructions fully before starting assembly

Thank you for purchasing this quality product. Be sure to check all packing materials carefully for small parts, which may have come loose inside the carton during shipment. Identify and count all items according to the PARTS LIST and/or HARDWARE LIST shown below. Check you have all the components and tools listed on the following pages.

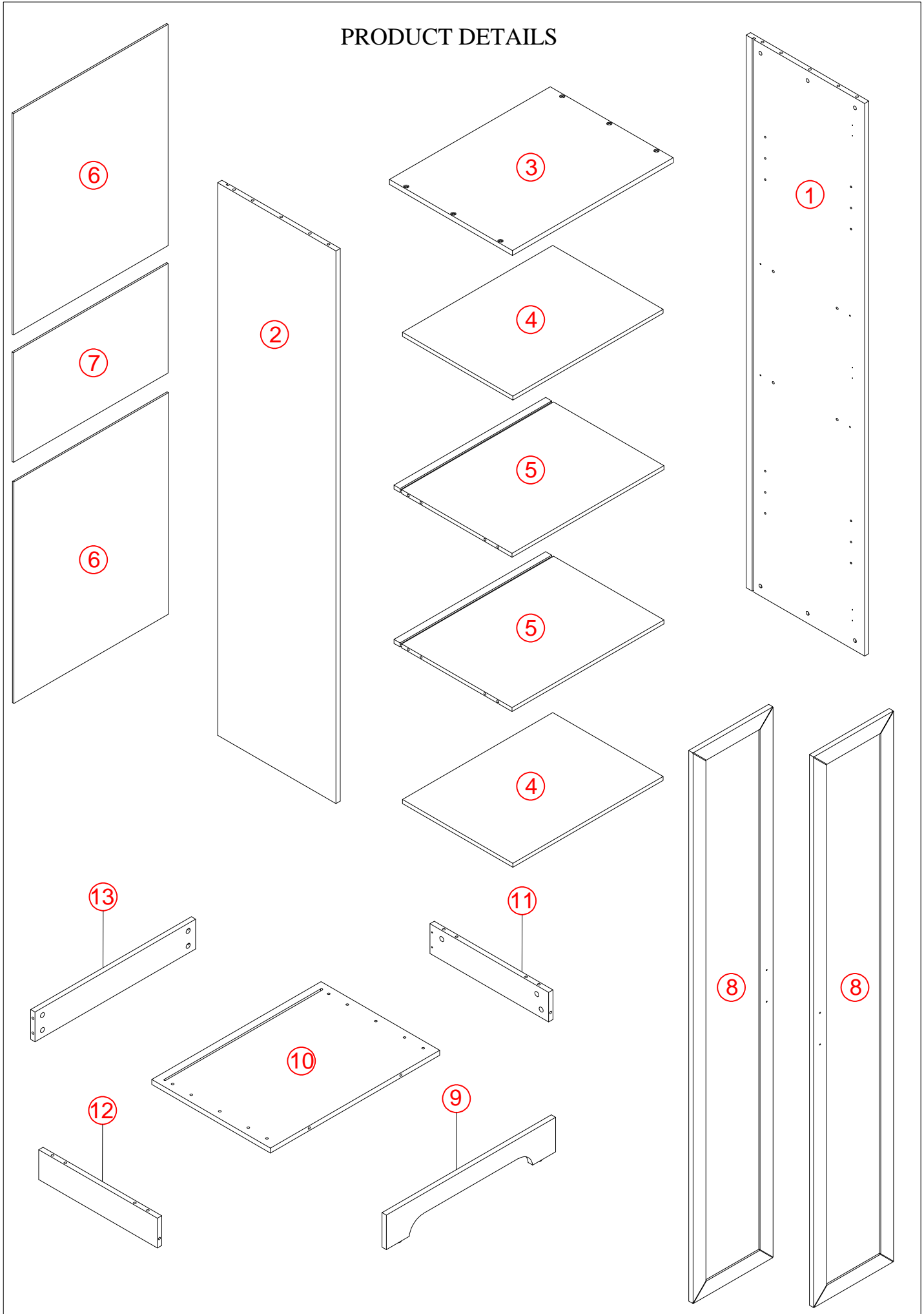
- We recommend that you assemble this product with the assistance of another person; this will make the assembly easier, and will help eliminate damage to the product or injury to persons during assembly.
- Please do not over tighten screws or bolts until the assembly is completed.
- Keep children and animal away from the work area, small parts could choke if swallowed.
- Please put all parts on a non-abrasive floor before assembly, and follow the assembly steps to assemble your newly purchased product correctly and efficiently.

If you find that you have any trouble with assembly or missing or damaged parts please contact the seller.




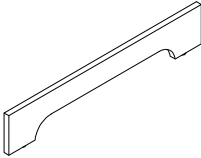
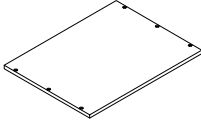
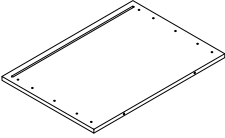
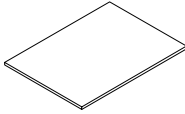
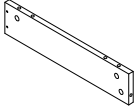
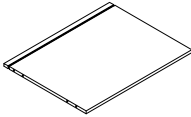
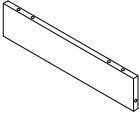
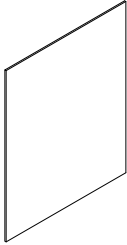
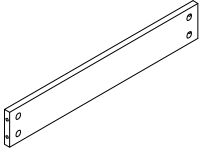
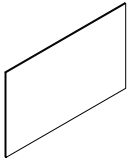
Cam Lock Assembly Instructions





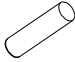
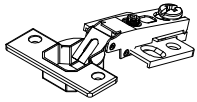



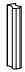



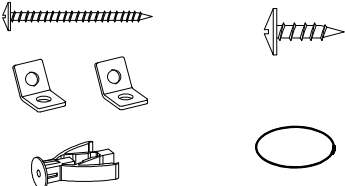
PRODUCT DETAILS



PARTS LIST

①	LEFT HIP BOARD		1PC	⑧	RIGHT DOOR PANEL		2PCS
②	RIGHT HIP BOARD		1PC	⑨	FRONT BAR FOOT BASE		1PC
③	ROOF BOARD		1PC	⑩	BOTTOM BOARD		1PC
④	ADJUSTABLE SHELVES		2PCS	⑪	RIGHT HOOD BASE		1PC
⑤	FIXED SHELF		2PCS	⑫	LEFT HOOD BASE		1PC
⑥	BACK BOARD 1		2PCS	⑬	BAR REAR FOOT BASE		1PC
⑦	BACK BOARD 2		1PC				

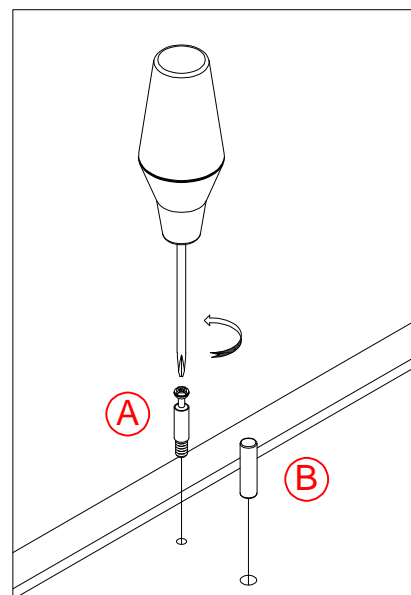
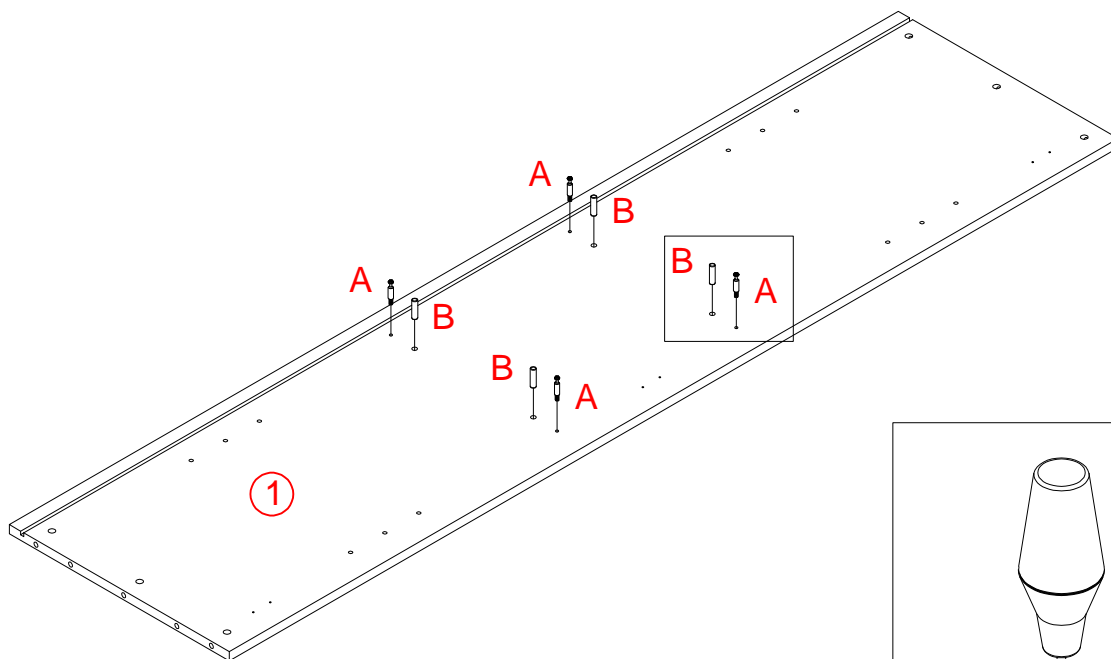
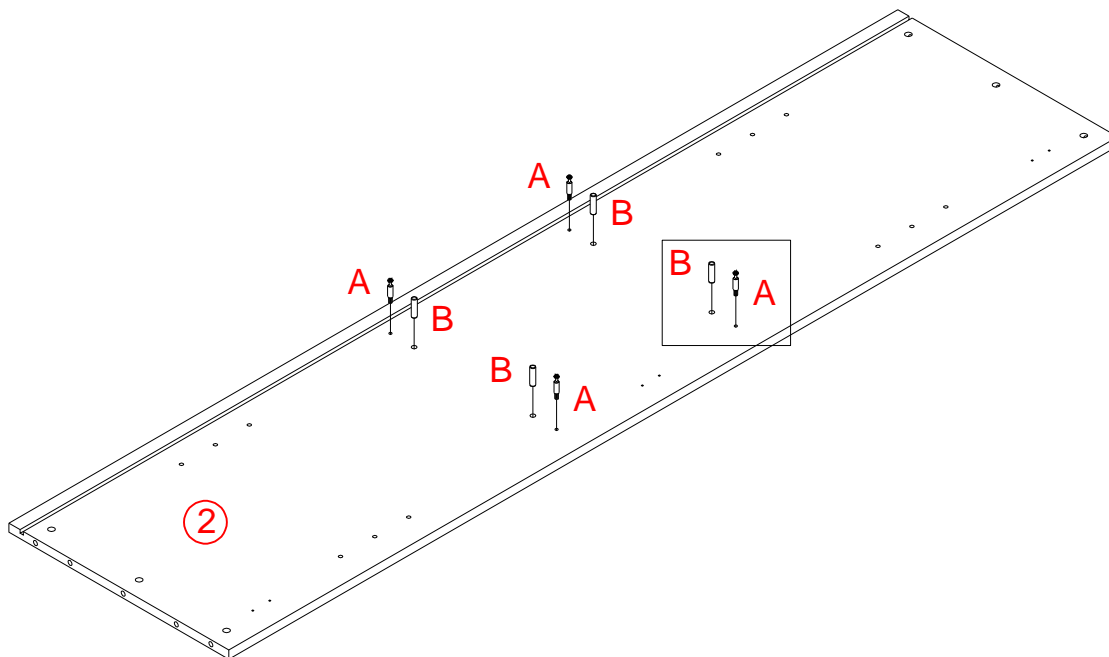
HARDWARE LIST


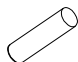
Ⓐ	Ø5*35MM		20PCS	Ⓒ	3.5*10MM		8PCS
Ⓑ	Ø 8 * 30MM		20PCS	Ⓓ	Ø 35		6PCS
Ⓒ	Ø 15*10MM		20PCS	Ⓔ	3.5*15MM		36PCS
Ⓓ	M6*50MM		12PCS	Ⓕ	L103MM		2PCS
Ⓔ	L58MM		1PC	Ⓖ	M4*20MM		4PCS
Ⓕ	L15MM		8PCS	Ⓖ			2 SET

ASSEMBLY TOOLS REQUIRED (NOT INCLUDED)

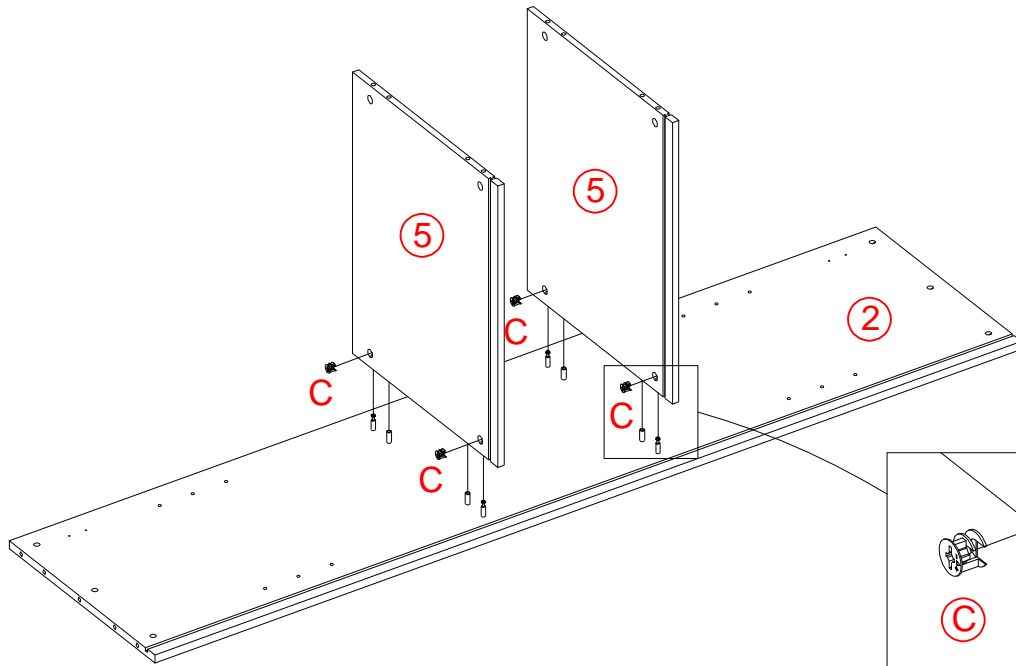


STEP 1



<p>(A)</p>	<p>Ø5*35MM</p>	 <p>8PCS</p>	<p>(B)</p>	<p>Ø 8 * 30MM</p>	 <p>8PCS</p>
------------	----------------	---	------------	-------------------	---

STEP 2



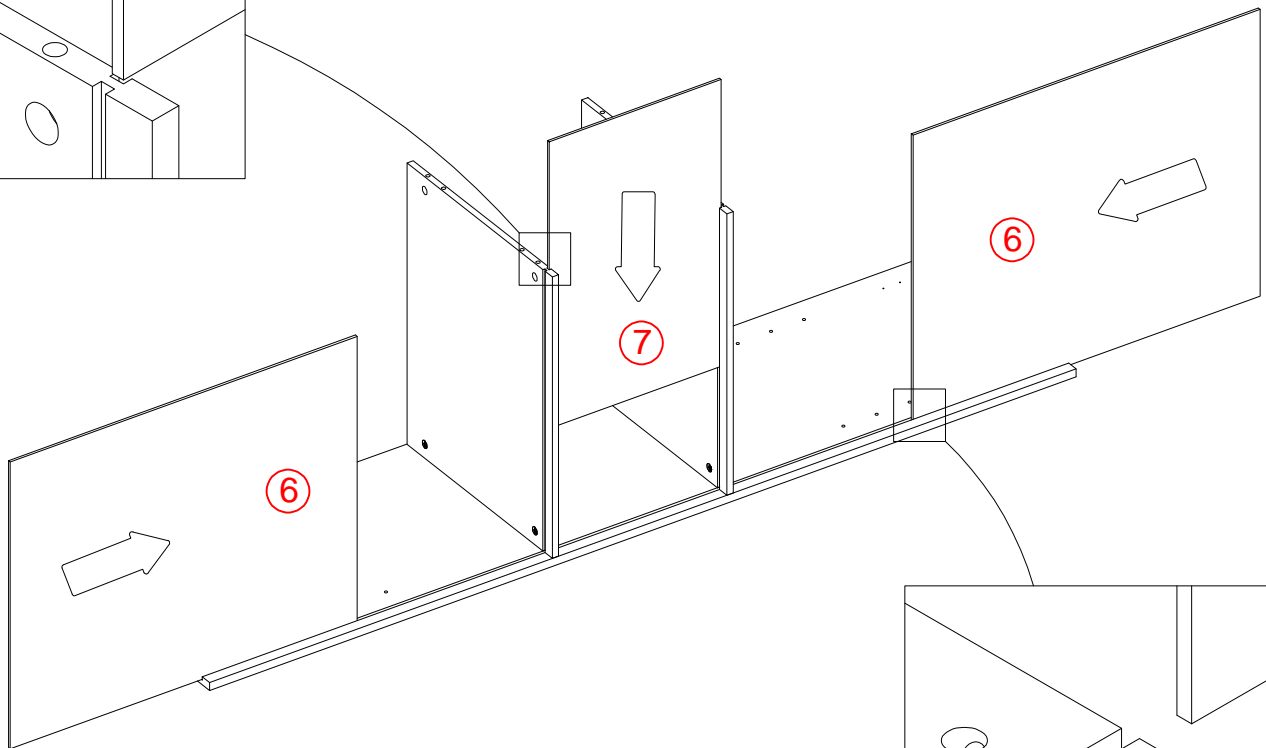
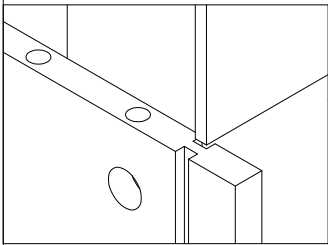
Ⓒ

Ø 15*10MM

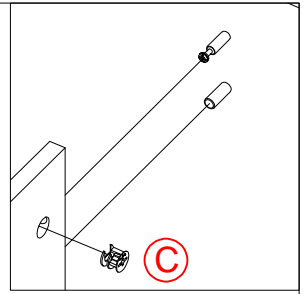
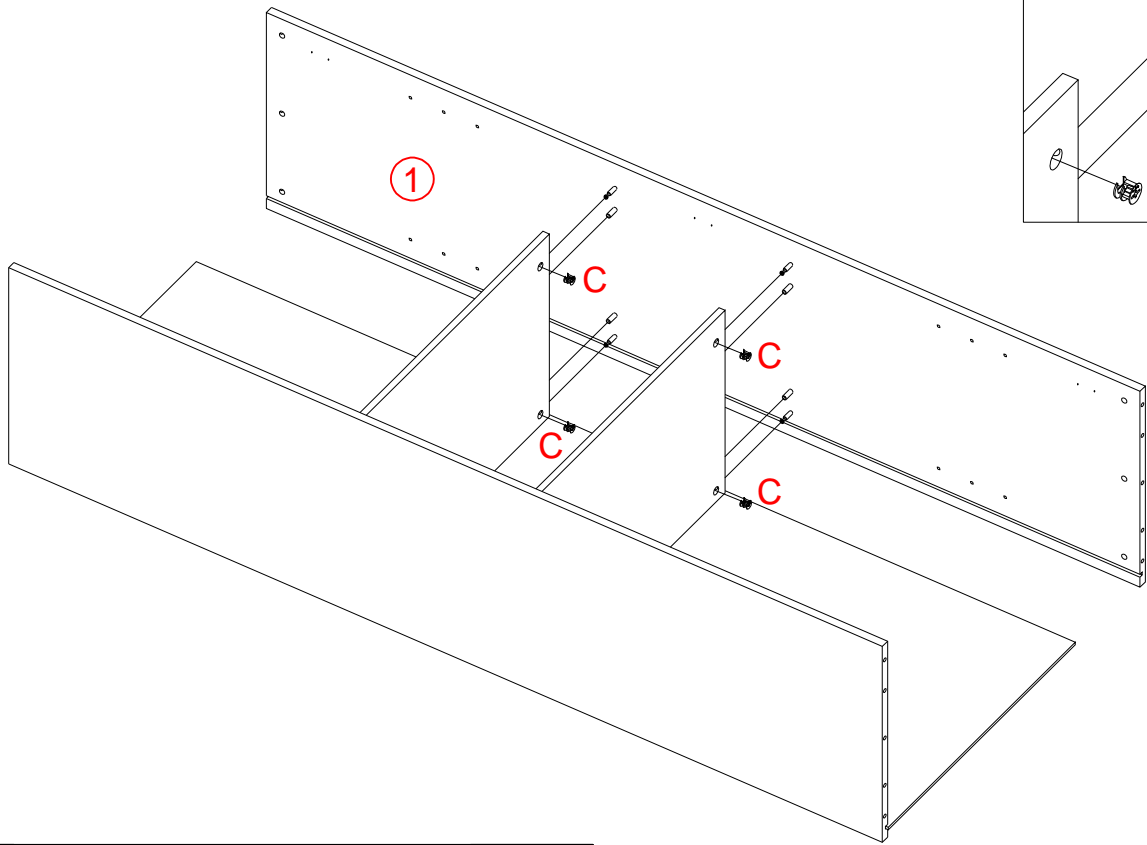


4PCS

STEP 3

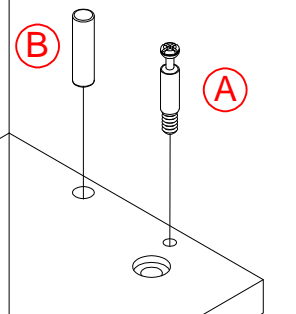
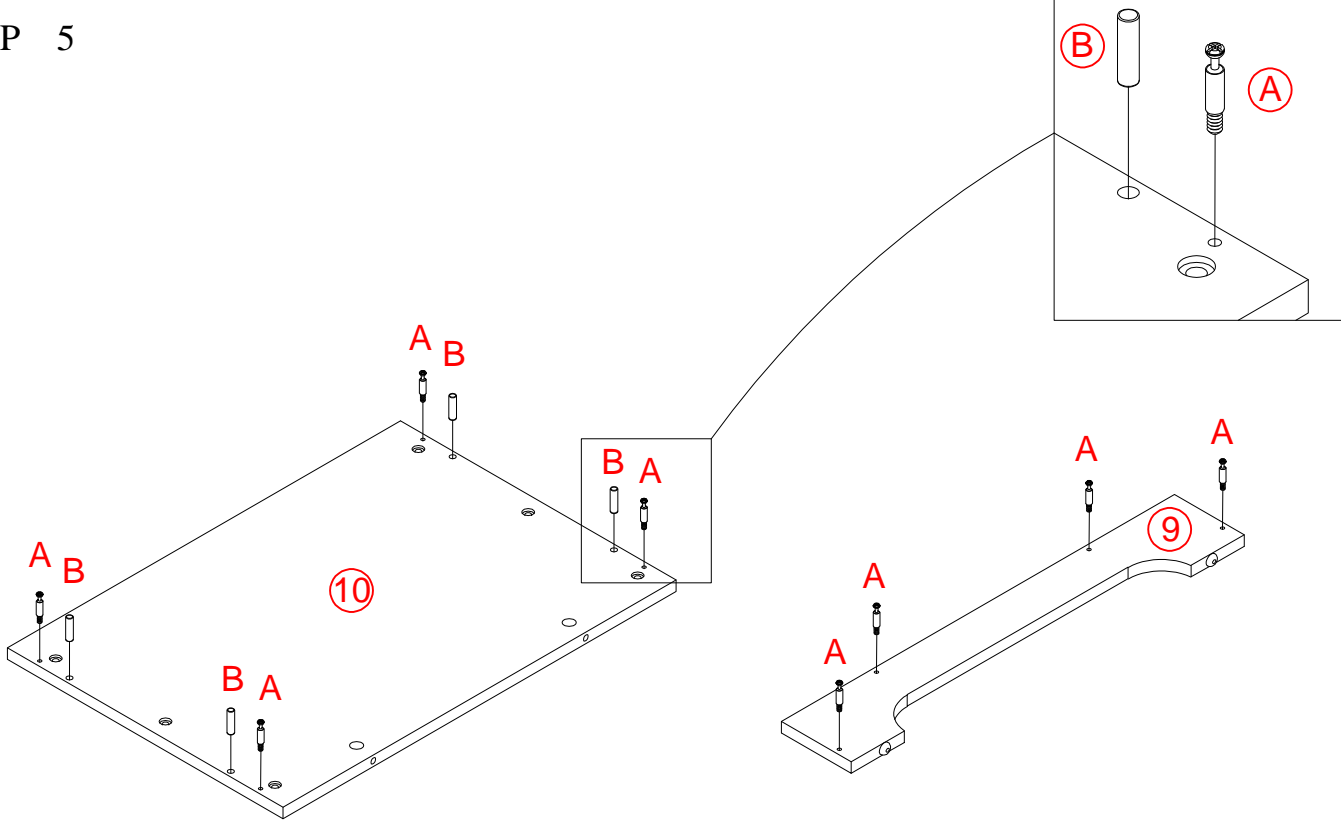


STEP 4



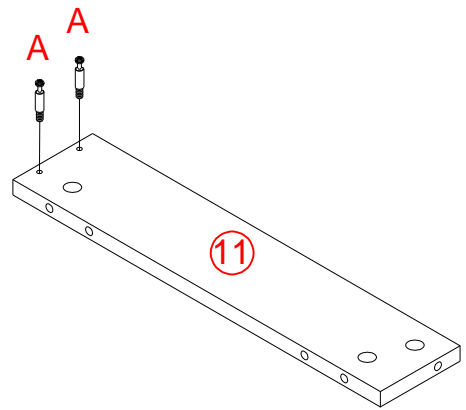
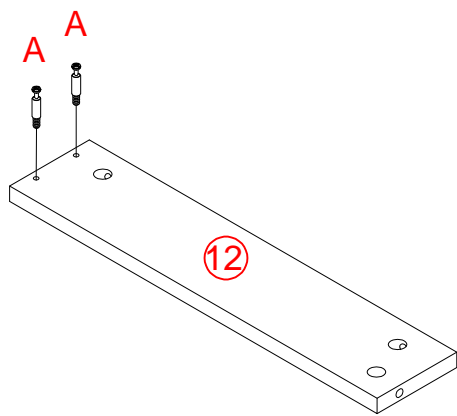
	Ø 15*10MM		4PCS
--	-----------	--	------

STEP 5



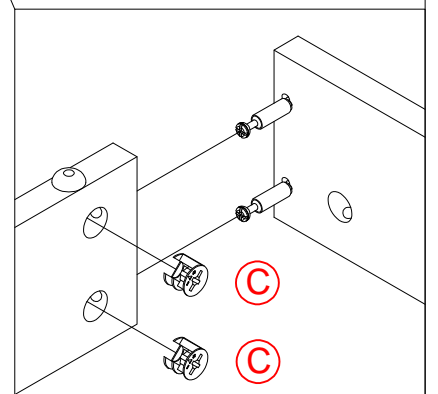
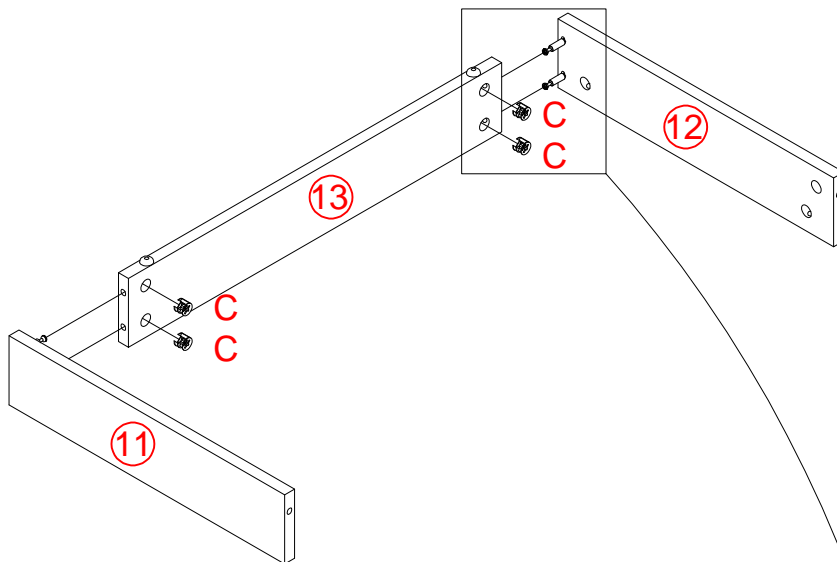
	Ø5*35MM		8PCS		Ø 8 * 30MM		4PCS
--	---------	--	------	--	------------	--	------

STEP 6



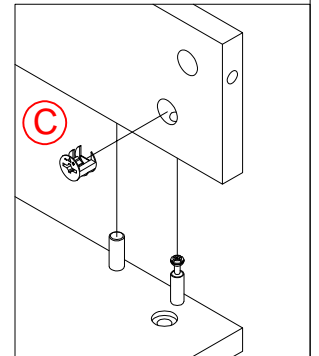
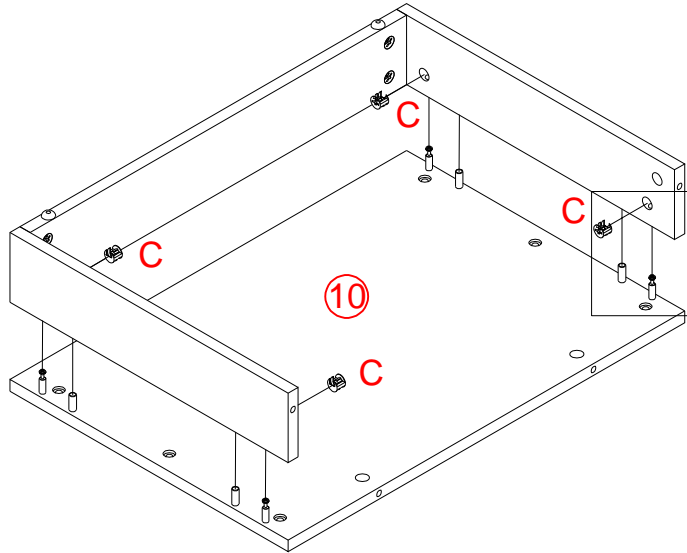
A	Ø5*35MM	 4PCS
---	---------	--

STEP 7



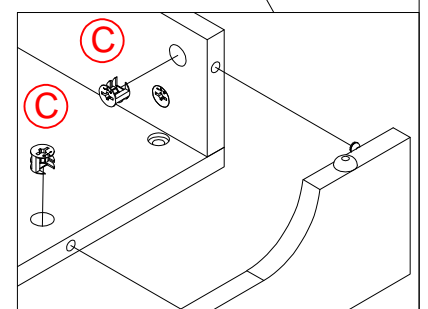
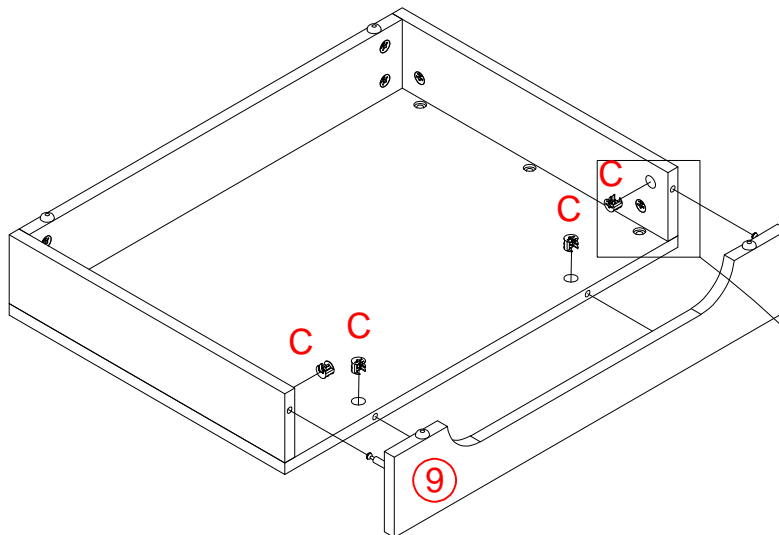
C	Ø 15*10MM		4PCS
---	-----------	---	------

STEP 8



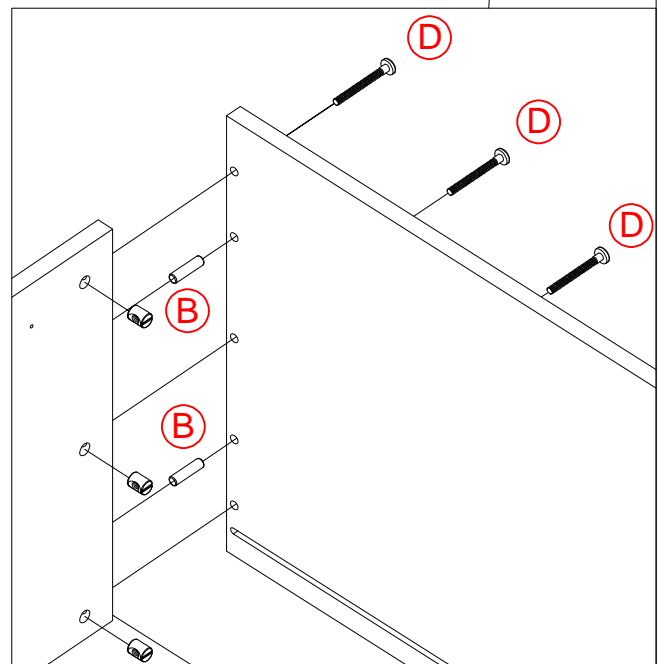
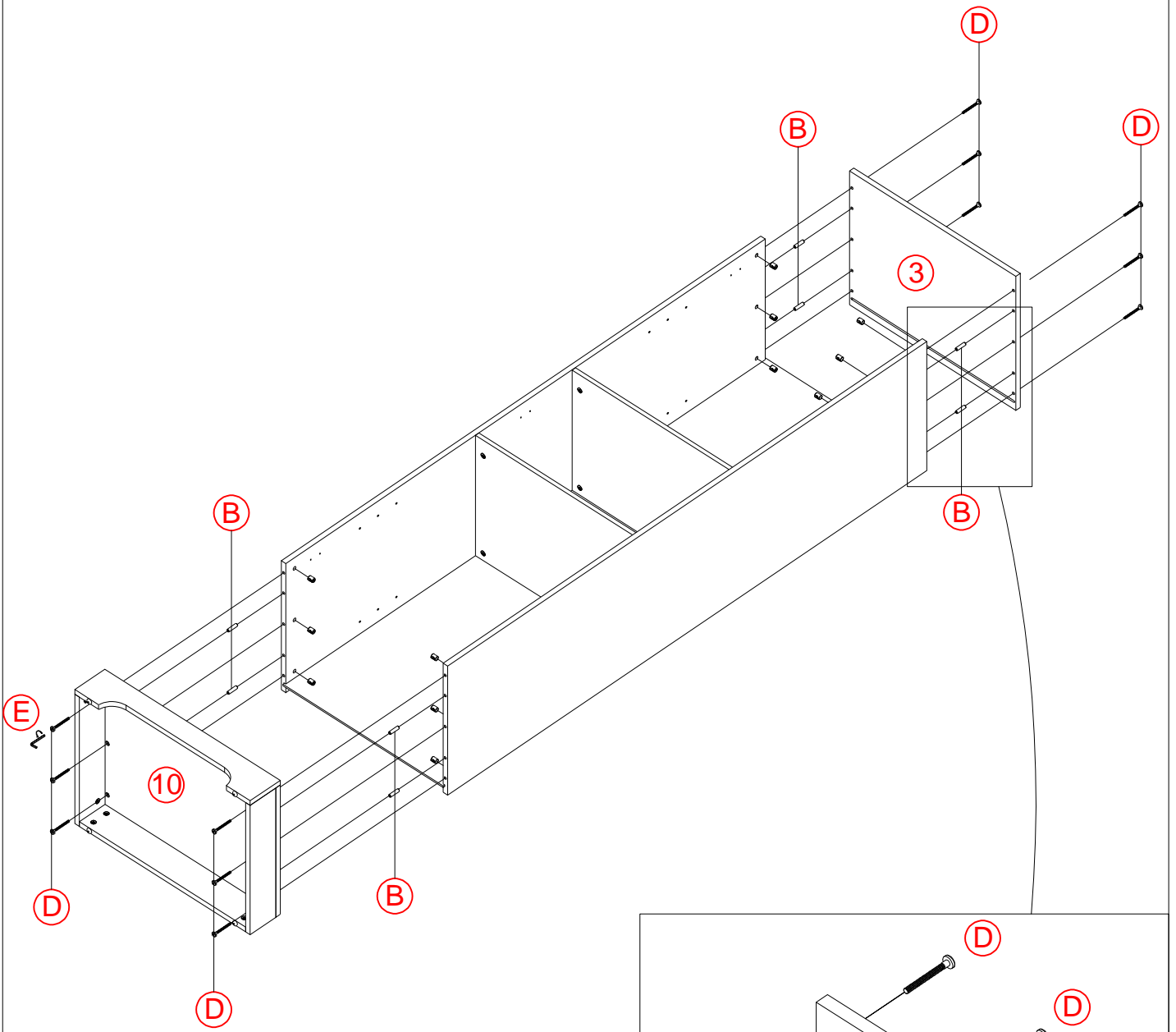
C	Ø 15*10MM		4PCS
---	-----------	---	------



STEP 9



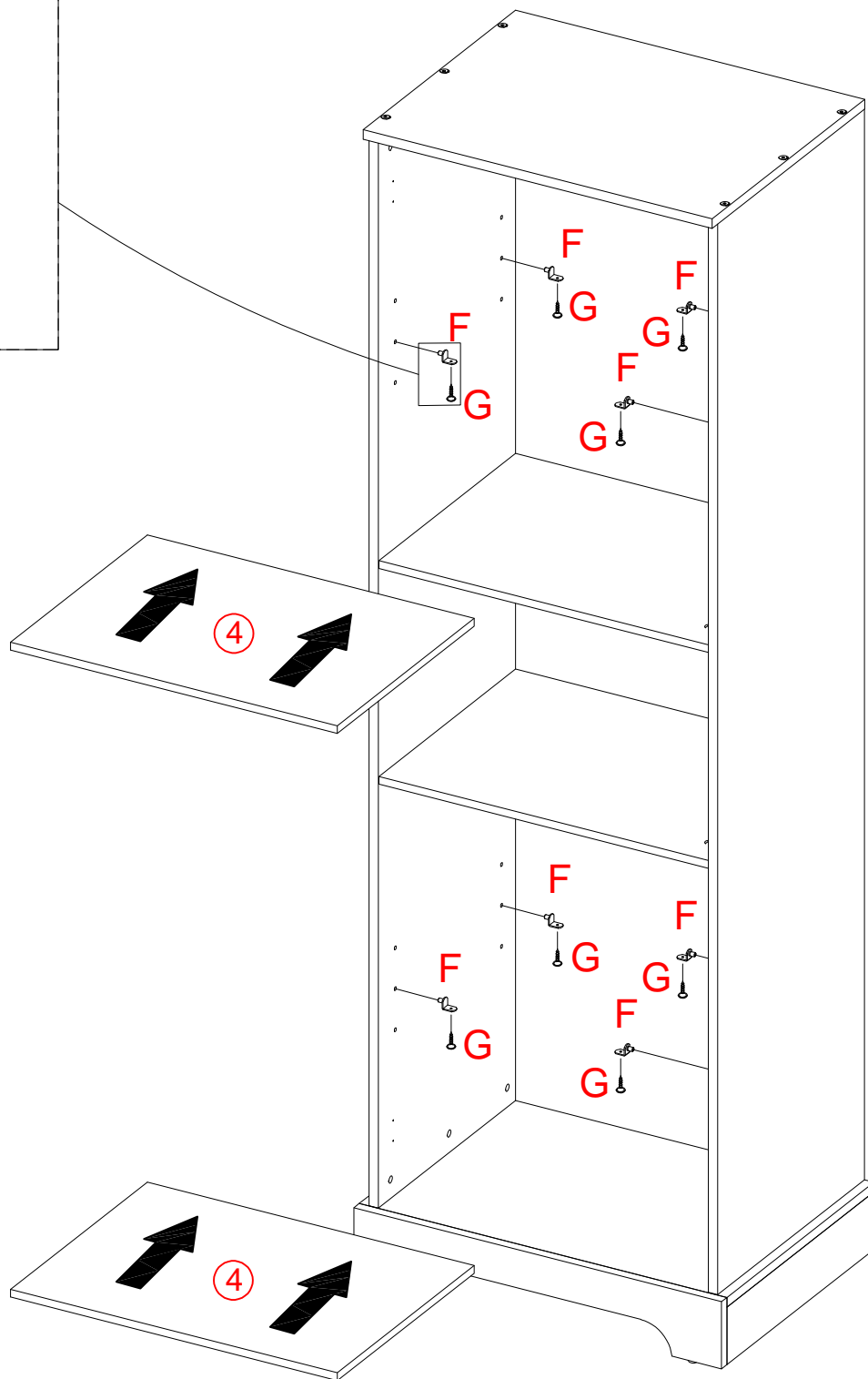
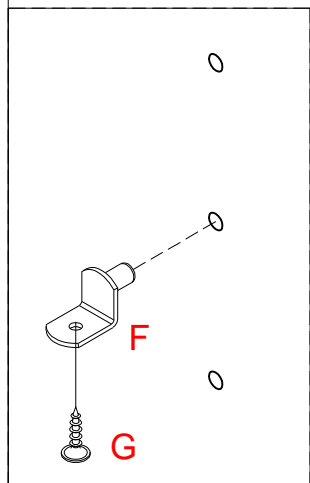
C	Ø 15*10MM		4PCS
---	-----------	---	------





STEP 10



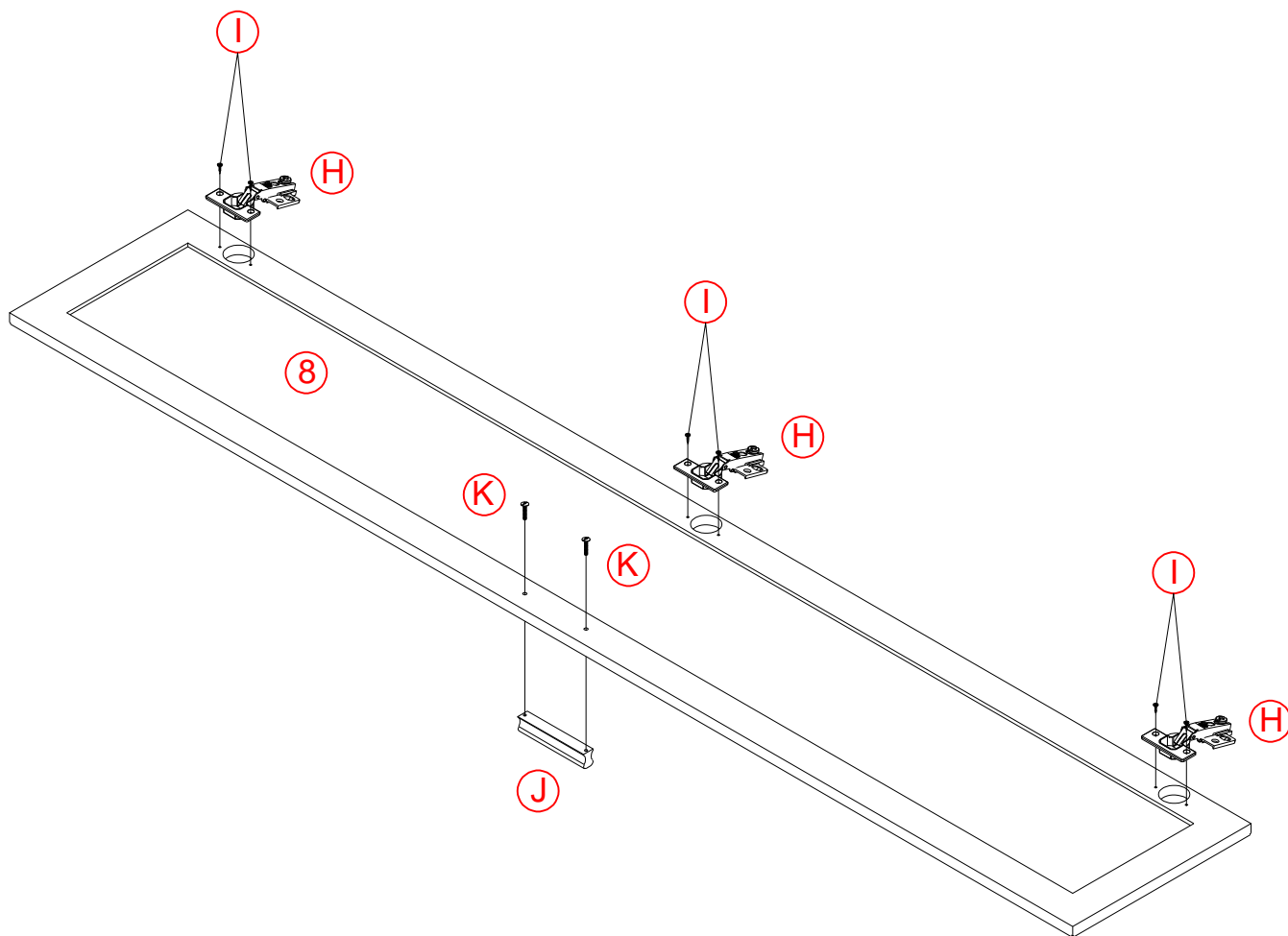
<p>Ⓔ</p>	<p>L58MM</p>		<p>1PC</p>			
<p>Ⓓ</p>	<p>M6*50MM</p>		<p>12PCS</p>	<p>Ⓑ</p>	<p>Ø 8 * 30MM</p>	<p>8PCS</p>

STEP 11

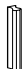

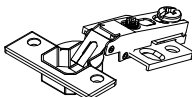



 (F)	L15MM		8PCS	 (G)	3.5*10MM		8PCS
---	-------	---	------	---	----------	---	------

STEP 12

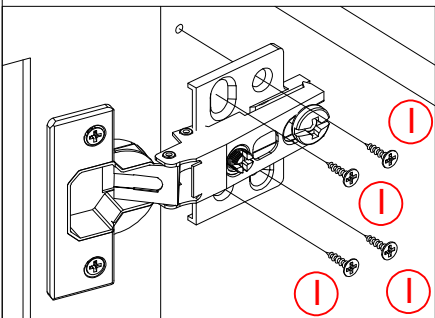
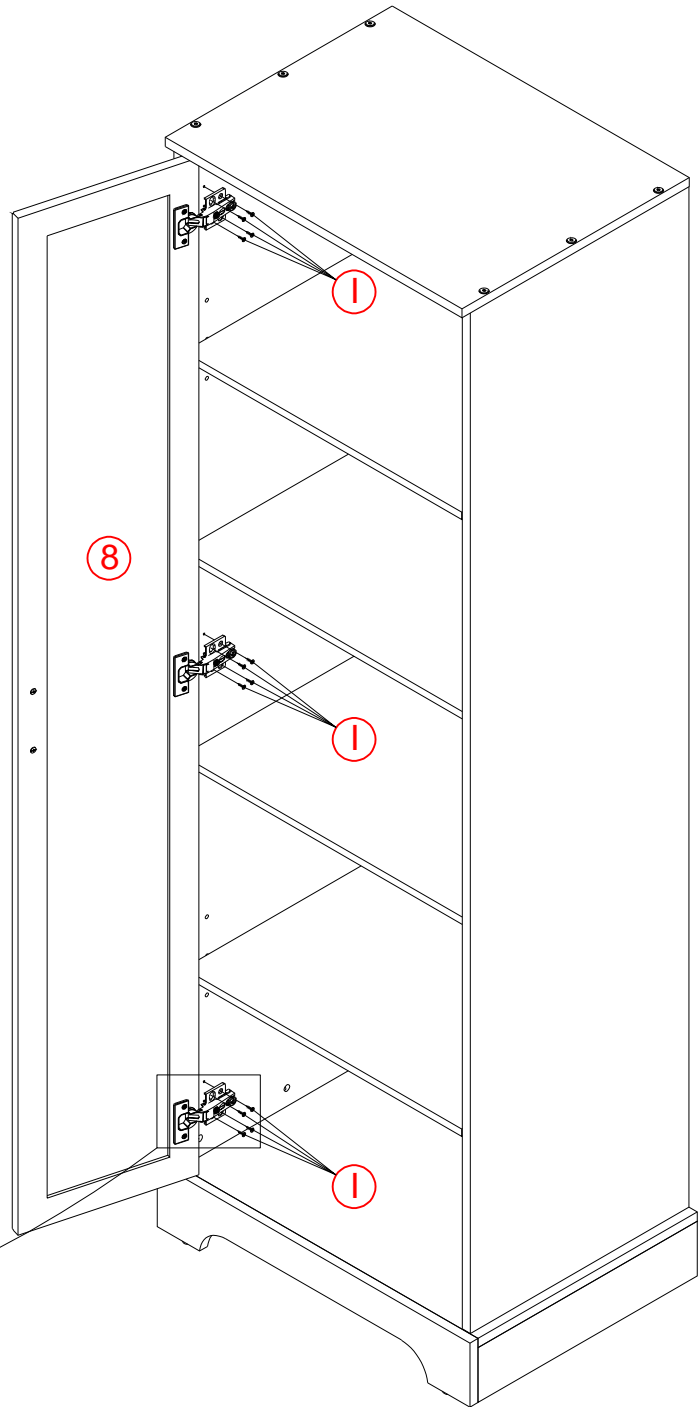
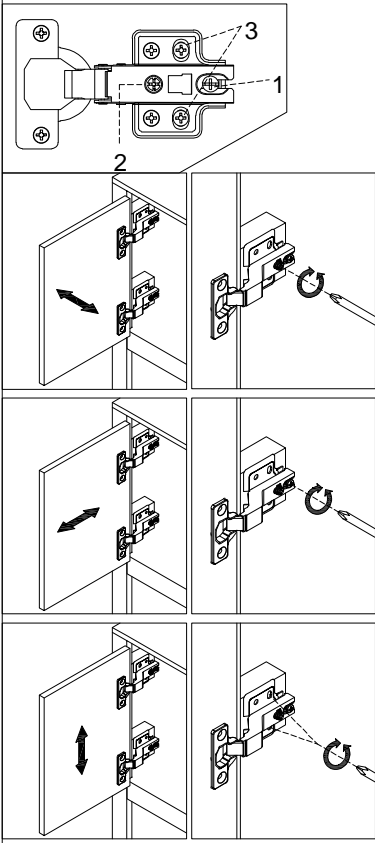



X2

<p>Ⓧ</p>	<p>L103MM</p> 	<p>2PCS</p>	<p>Ⓚ</p>	<p>M4*20MM</p> 	<p>4PCS</p>
<p>ⓗ</p>	<p>Ø 35</p> 	<p>6PCS</p>	<p>Ⓢ</p>	<p>3.5*15MM</p> 	<p>12PCS</p>

STEP 13

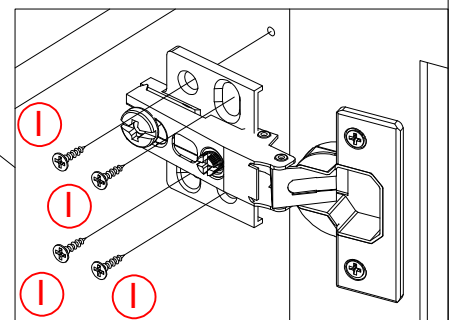
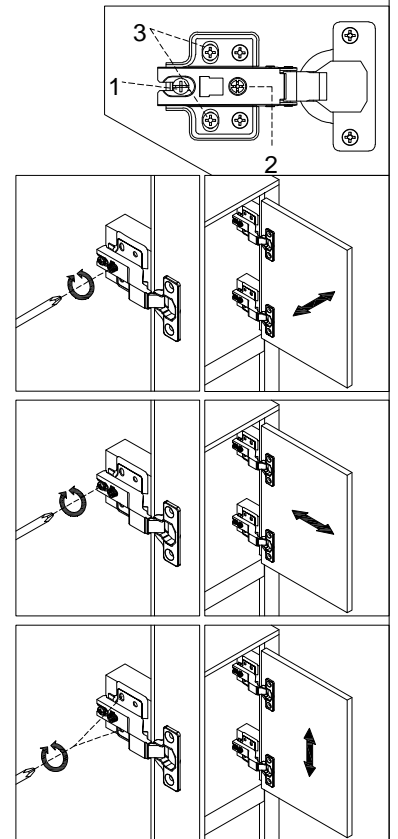
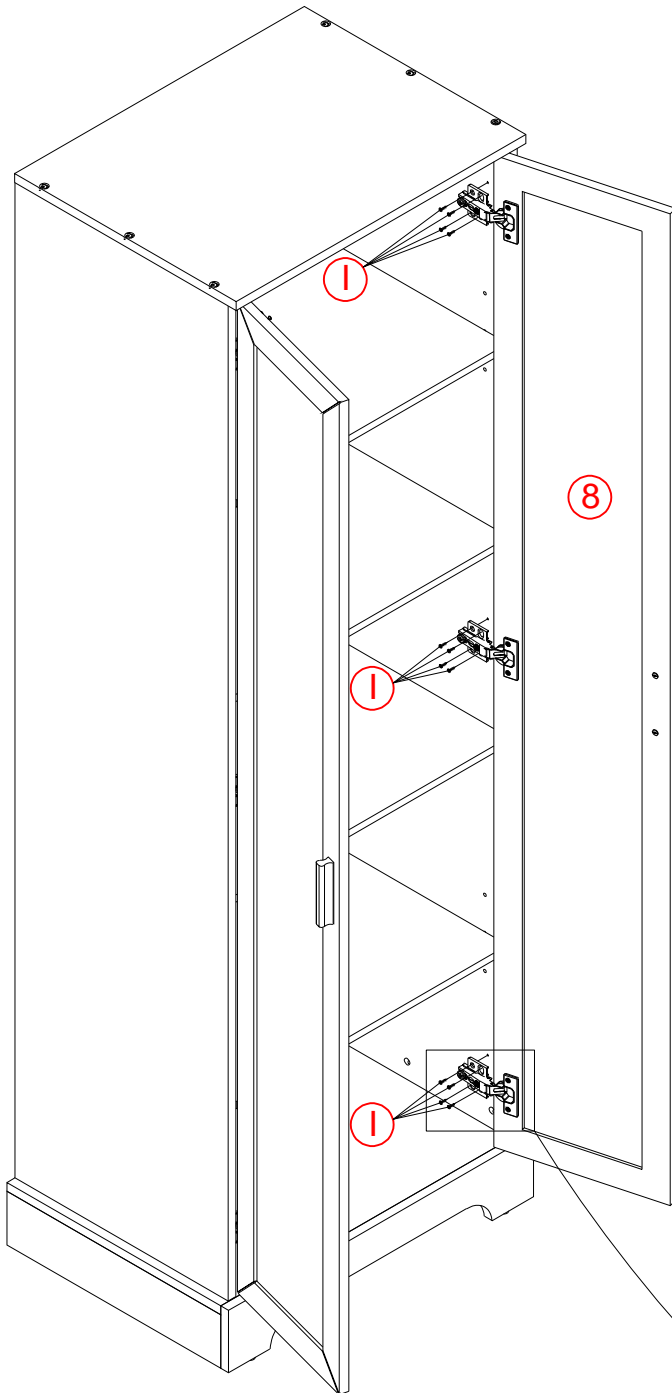
Three-way adjustable hinge for perfectly aligned doors
 1. TO ADJUST DOOR FORWARD OR BACKWARD.
 2. TO ADJUST DOOR TO RIGHT OR TO LEFT.
 3. TO ADJUST DOOR UP OR DOWN.



	3.5*15MM		12PCS
---	----------	---	-------

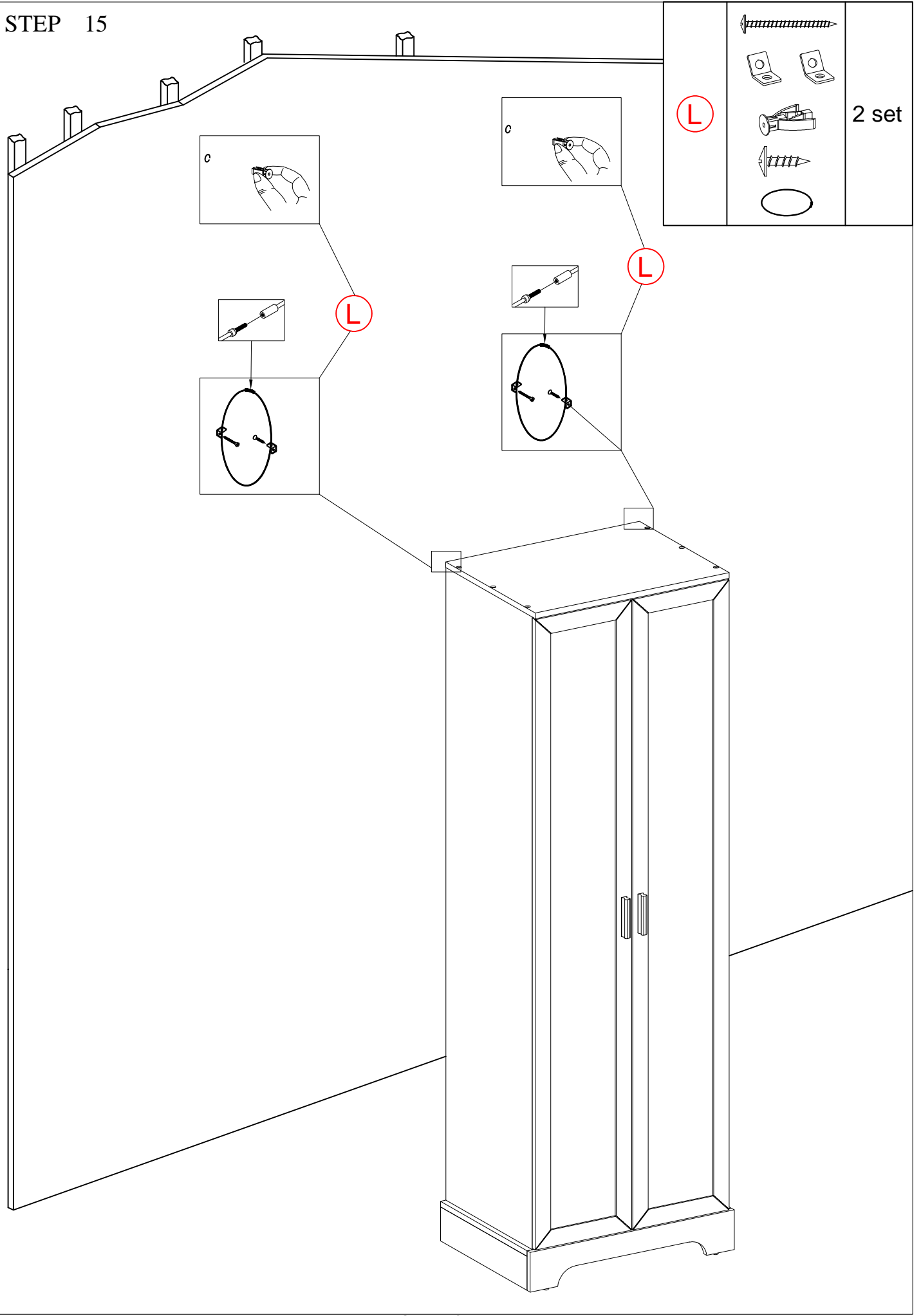
STEP 14

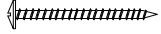

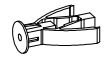
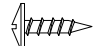
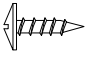

Three-way adjustable hinge for perfectly aligned doors
1. TO ADJUST DOOR FORWARD OR BACKWARD.
2. TO ADJUST DOOR TO RIGHT OR TO LEFT.
3. TO ADJUST DOOR UP OR DOWN.



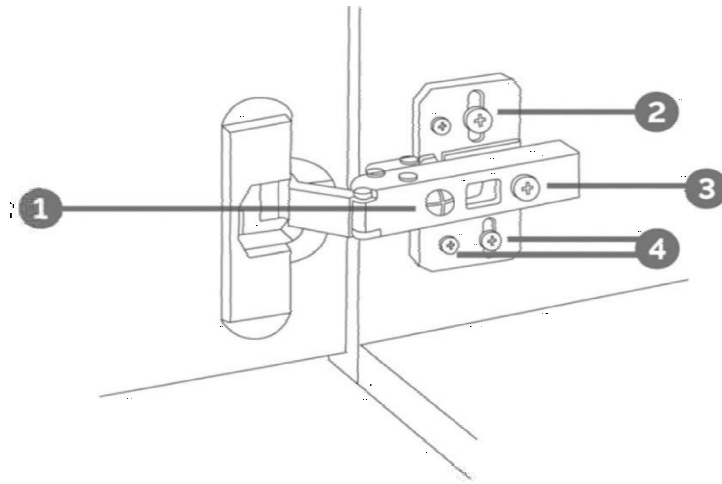
①	3.5*15MM	 12PCS
---	----------	---

STEP 15



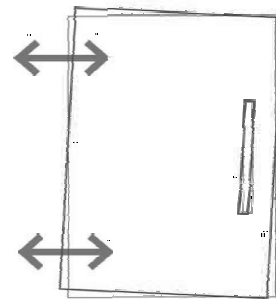
- | | | |
|----------|---|--------------|
| L |  | 2 set |
| |  | |
| |  | |
| |  | |
| |  | |
| |  | |

HINGE ADJUSTMENTS



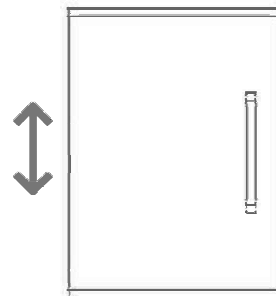
1 Sideways / Tilt adjustment

Turn the screw
clockwise to move the door further away from
the side of the cabinet
anticlockwise to move the door closer to the
side of the cabinet



2 4 Height adjustment

While supporting the weight of the door, turn the
screws
clockwise to move the door up
anticlockwise to move the door down



3 Forward and back adjustment

If the gap between the back of the door and the
cabinet is too small, and the door may not close
fully. Turn the screw
clockwise to decrease the gap between the
door and the cabinet
anticlockwise to increase the gap between the
door and the cabinet

