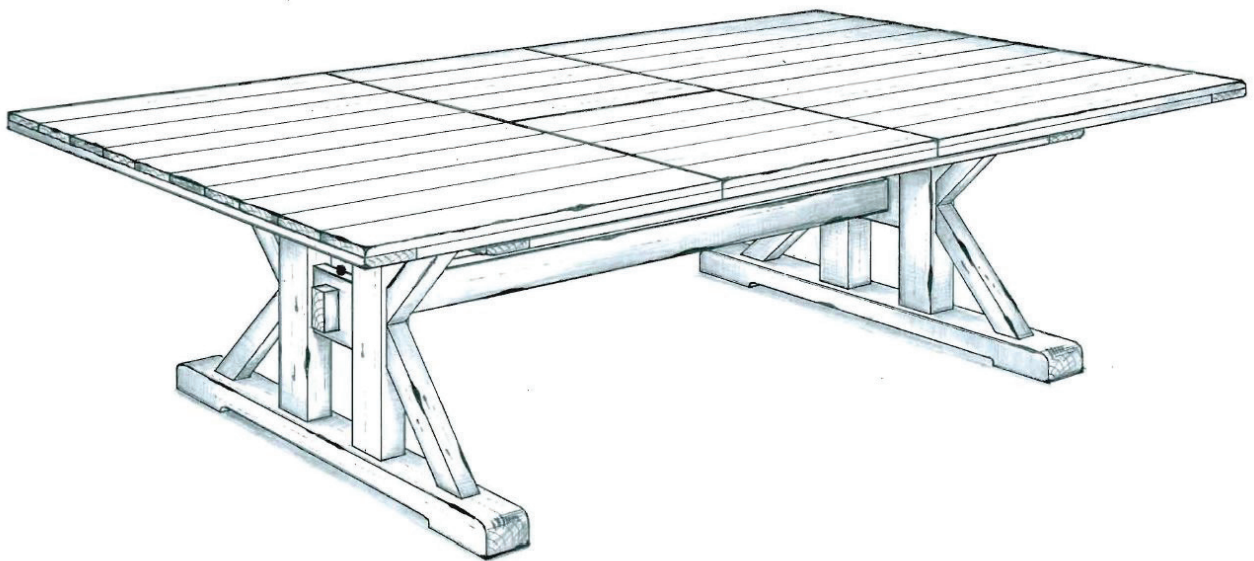


ASSEMBLY INSTRUCTION

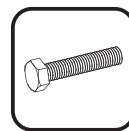
EXTENSION DINING TABLE



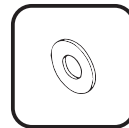
CONTAIN 4 PARTS

- **Part 1:** Fully assembled top
- **Part 2:** Left leg
- **Part 3:** Right leg
- **Part 4:** Centre bar

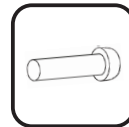
HARDWARE PACK



Bolt (12pcs)
Φ 10 x 80



Washer (12pcs)
Φ 11 x 26 x 1.8



Metal-Dowel (2pcs)
Φ 13 x 70



Ring Spanner (1pc)
K17

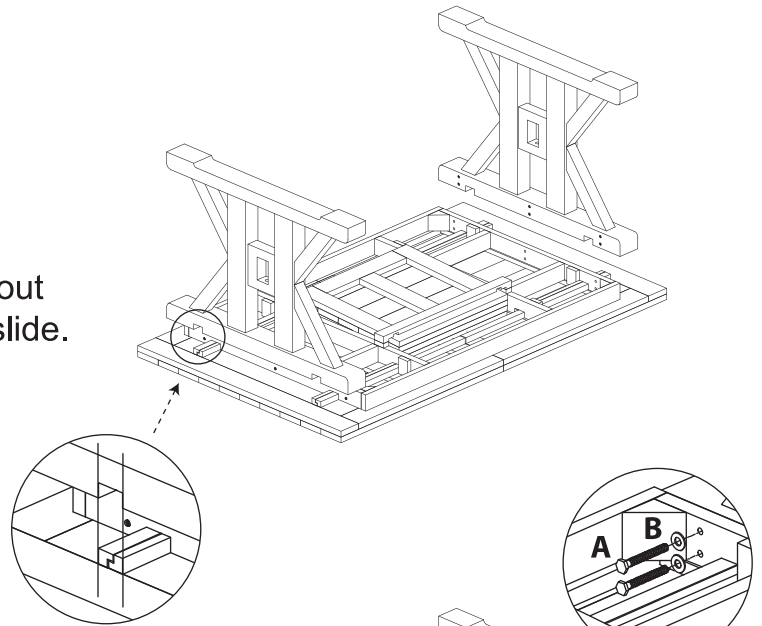
EXTENSION DINING TABLE

This assembly requires 2 adults!

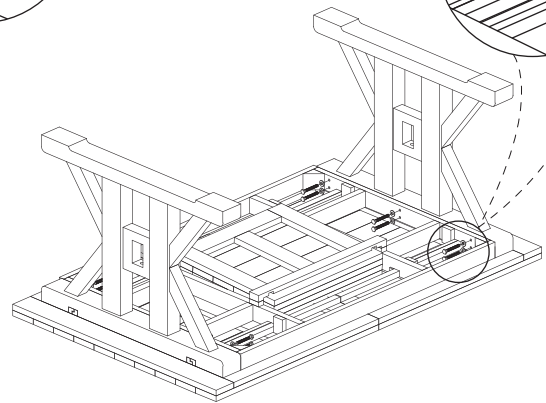
Lay all parts on a blanket to prevent scratching.

Carefully lift each part

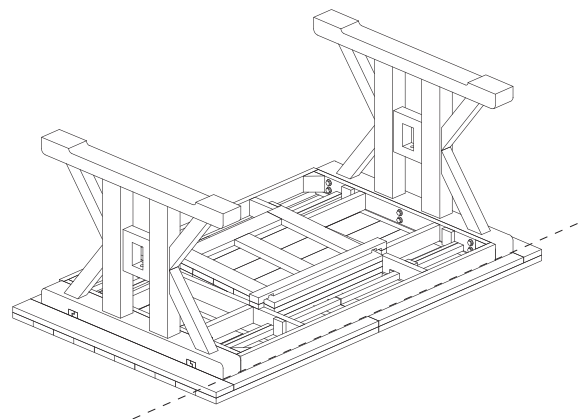
- **Step 1:** Place the table top upright on a clean floor. Fit the legs onto the table top by placing the leg's cut-out sections on top of the extension slide.



Then insert the bolt (A) & washer (B) to secure the legs.

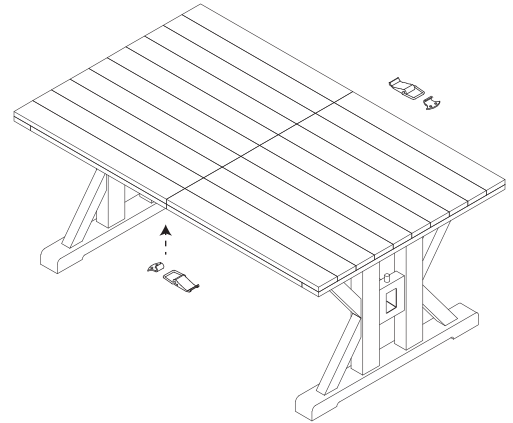


Use your hand to push down the under frame to make sure that the legs and the under frame are on a straight line. Please note that the top of the legs are either lower or at the same level with the under frame (this cannot be higher because it will cause bowing).

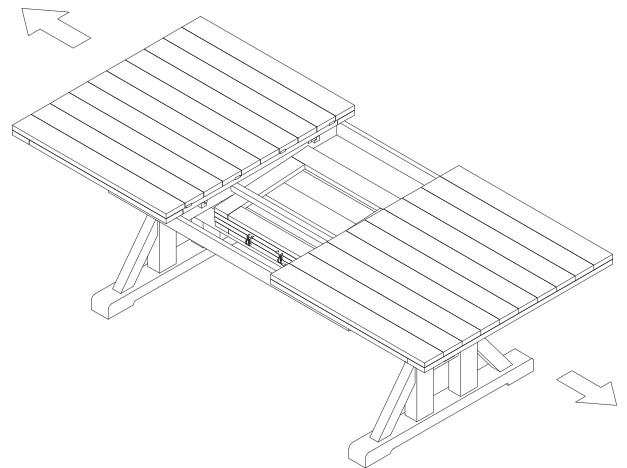


EXTENSION DINING TABLE

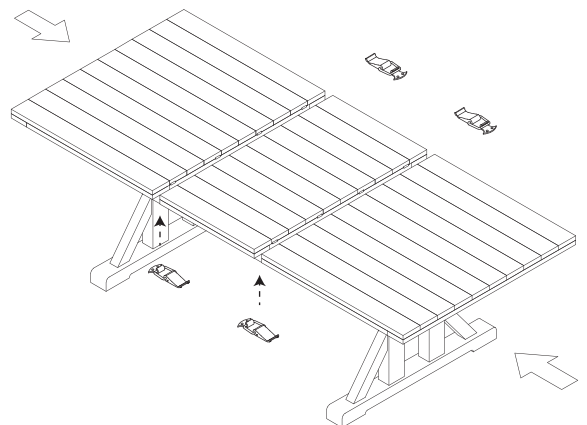
- **Step 2:** Carefully turn the table over onto its feet. Then fully tighten all bolts before unlocking the 2 locking clips under the table top.



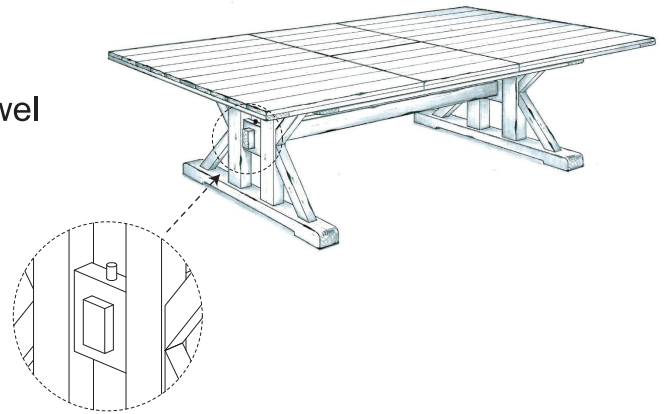
- **Step 3:** Open it by pulling the 2 sections out.



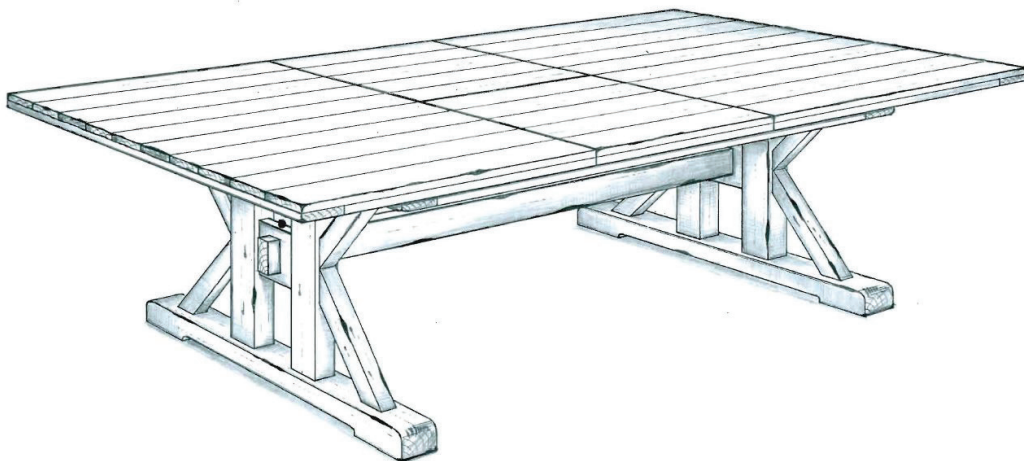
- **Step 4:** Bring the centre section up to the same level as the other sections. Push both outside sections to close the centre section, then lock the 4 clips to secure the table top.



- **Step 5:** Fit the centre bar by inserting it through the legs. Drop the metal-dowel to lock the bar into its position.



The assembly is now completed!



ENJOY YOUR NEW RECLAIMED[®] PRODUCT

For further information, please visit our website www.pgt-reclaimed.com