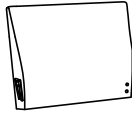
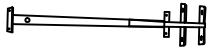
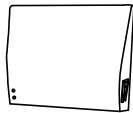



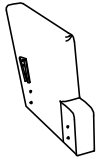
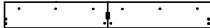
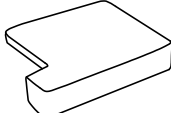

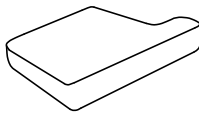







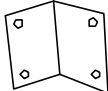


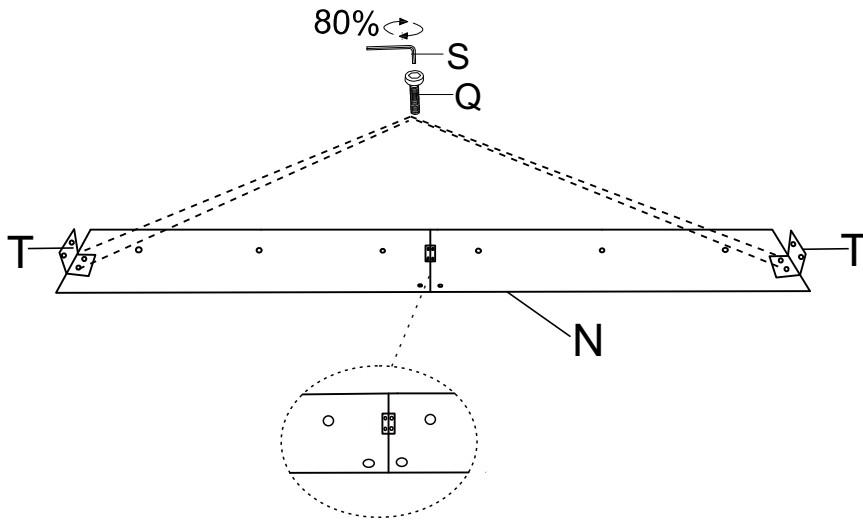
Assembly Instructions

Parts List

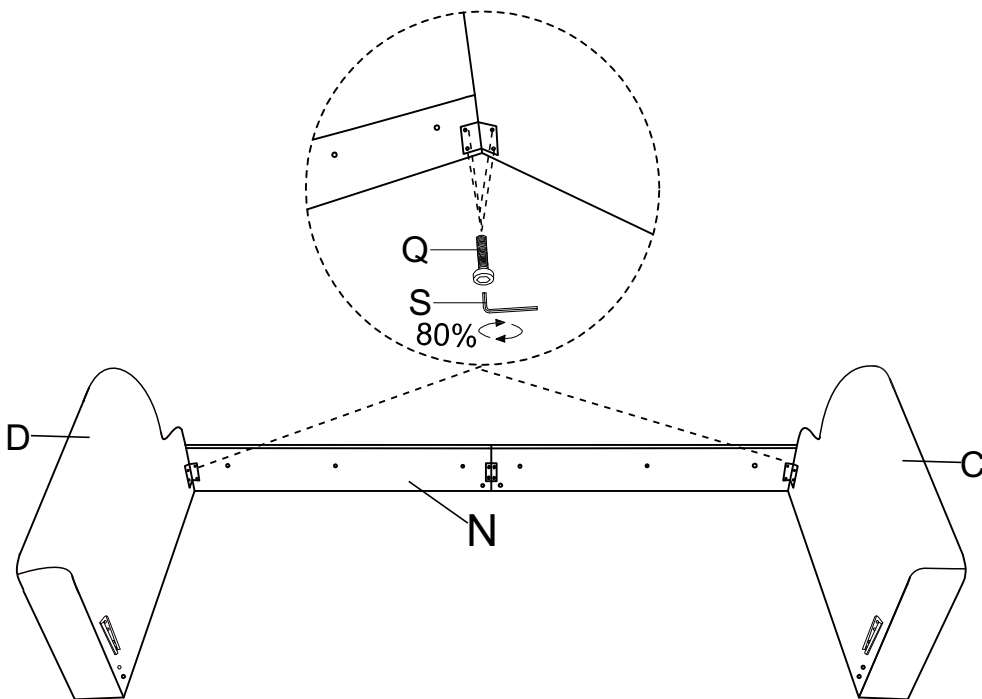
A		Left back	1	K		Iron frame	1
B		Right back	1	L		Wooden batten	4
C		Left arm	1	M		Rear seat plate	1
D		Right arm	1	N		Front seat plate	1
E		Left cushion	1	O		Feet	4
F		Right cushion	1	P		Feet	2
G		Backrest	2	Q		Screw M8*20mm	20
H		Pillow	2	R		Screw M8*50mm	16
J		Seat cover plate	2	S		Wrench	1
				T		Connector	4

Step 1

Connect the armrest to the front frames of the seat.
Please note that the screws are only tightened by 80%.



Pay attention to distinguishing between top and bottom.

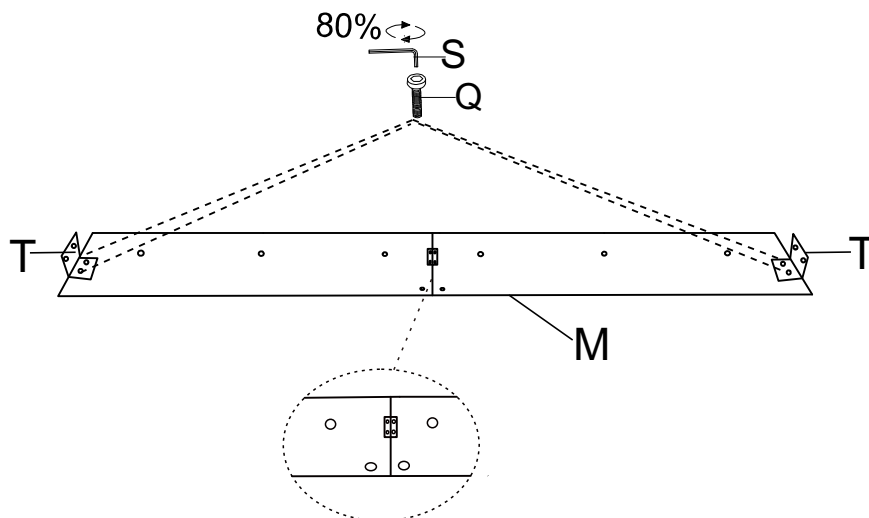


Q*8

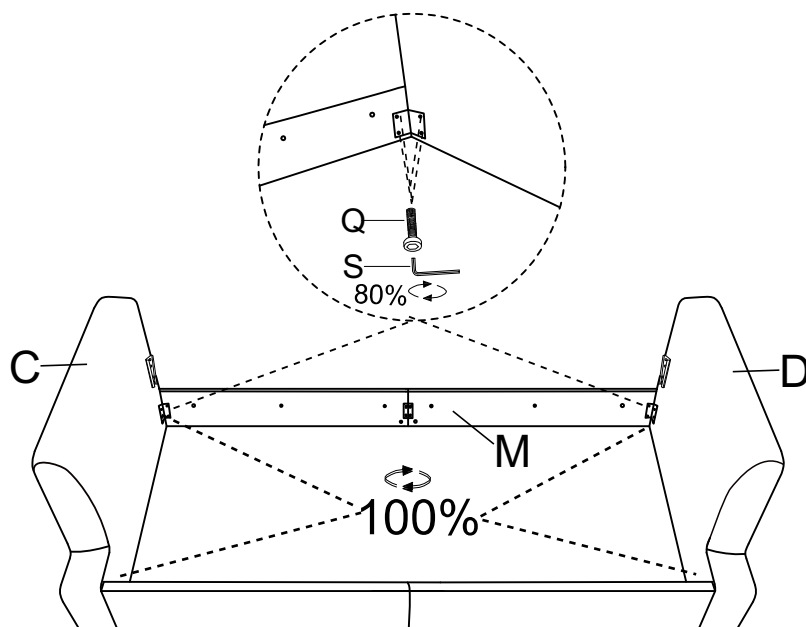
S*1

Step 3

Connect the armrest to the rear frames of the seat.
Please note that the screws are only tightened by 80%.



Pay attention to distinguishing
between top and bottom.



Please note that all screws are tightened 100%.



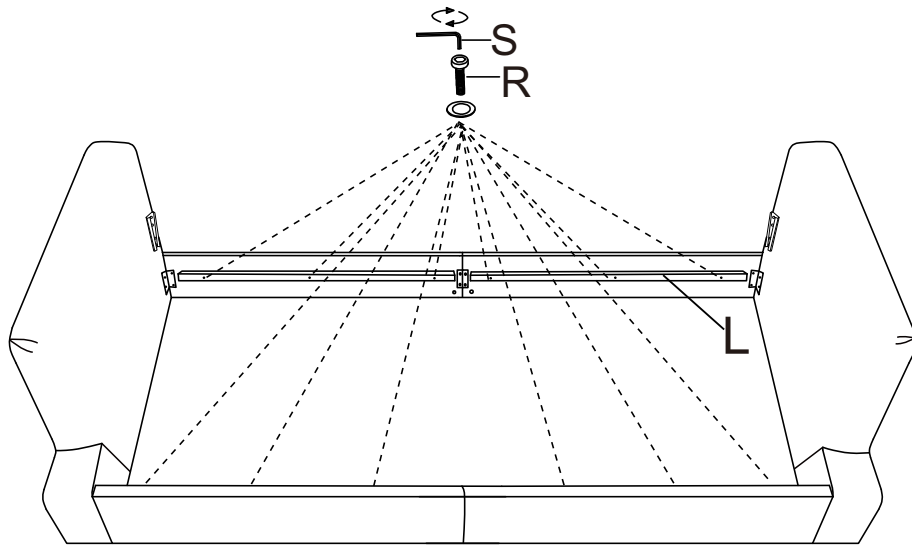
Q*8



S*1

Step 4

Install 4 Wooden Battens
Please note that all screws are tightened 100%.



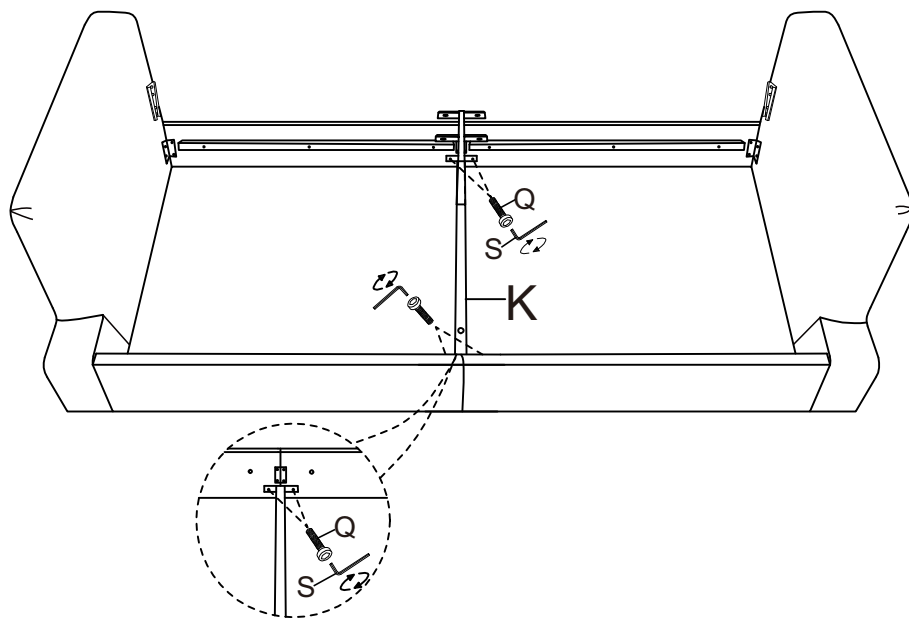
R*12



S*1

Step 5

Install Iron Frame



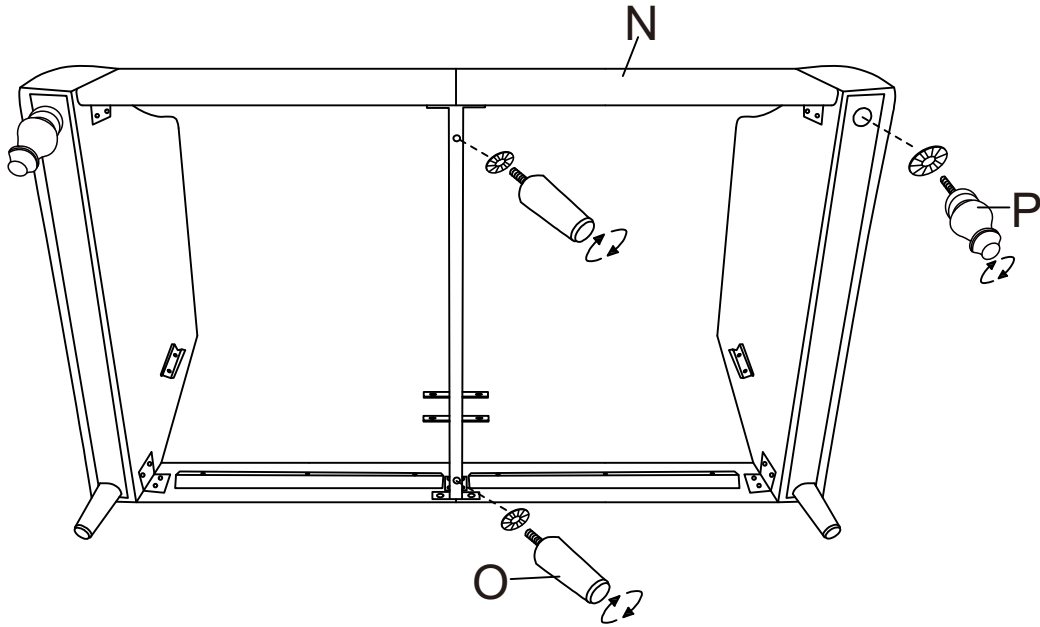
Q*4



S*1

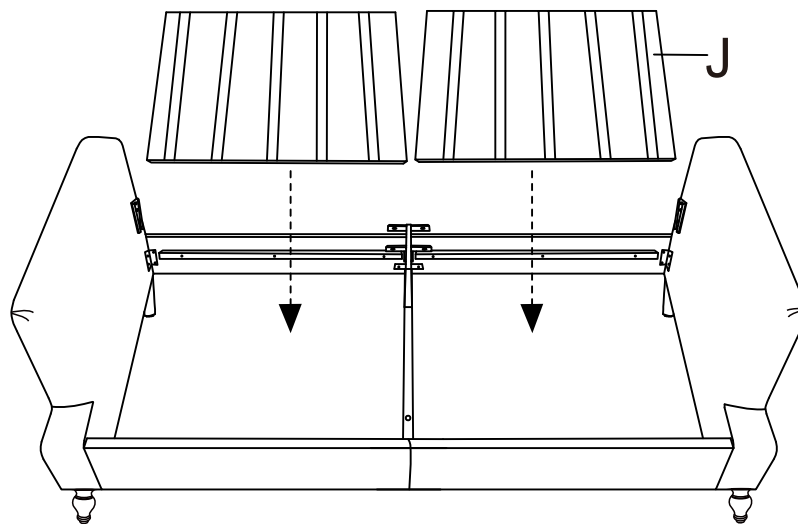
Step 6

Install the chair legs.



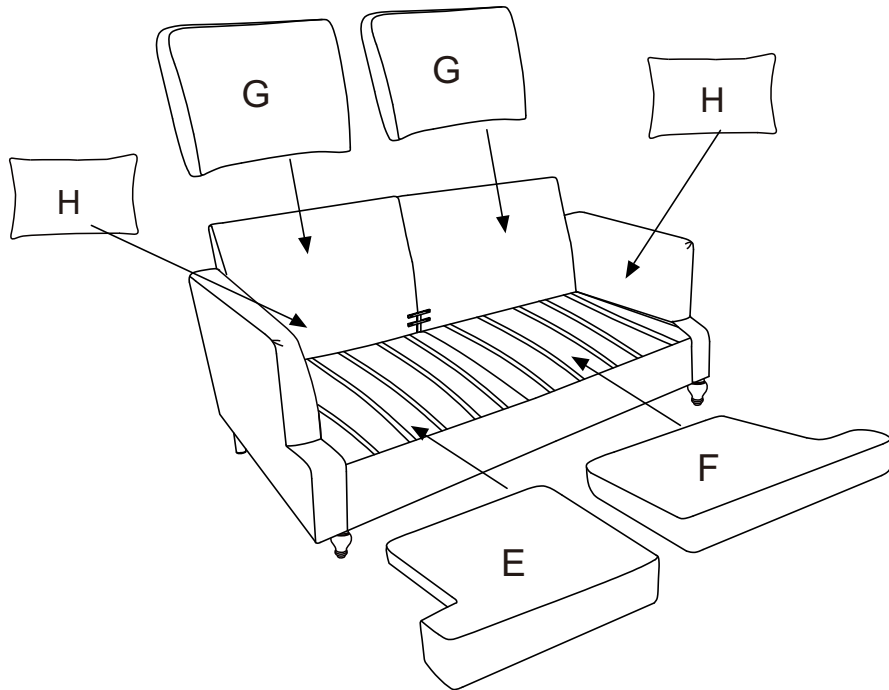
Step 7

Place the seat board into the seat frame.



Step 10

Place the seat cushion and backrest properly.



Step 11

Finish.

