

LED Wall Light Vanity Light

Caution: Please turn off power before installation and read the manual carefully, we advise you contact professional electricians to install for safety purpose.

Product Features

Style: Contemporary / Modern

Material: Metal

Base Type: LED

Light Source Included: Yes

Voltage: 120V

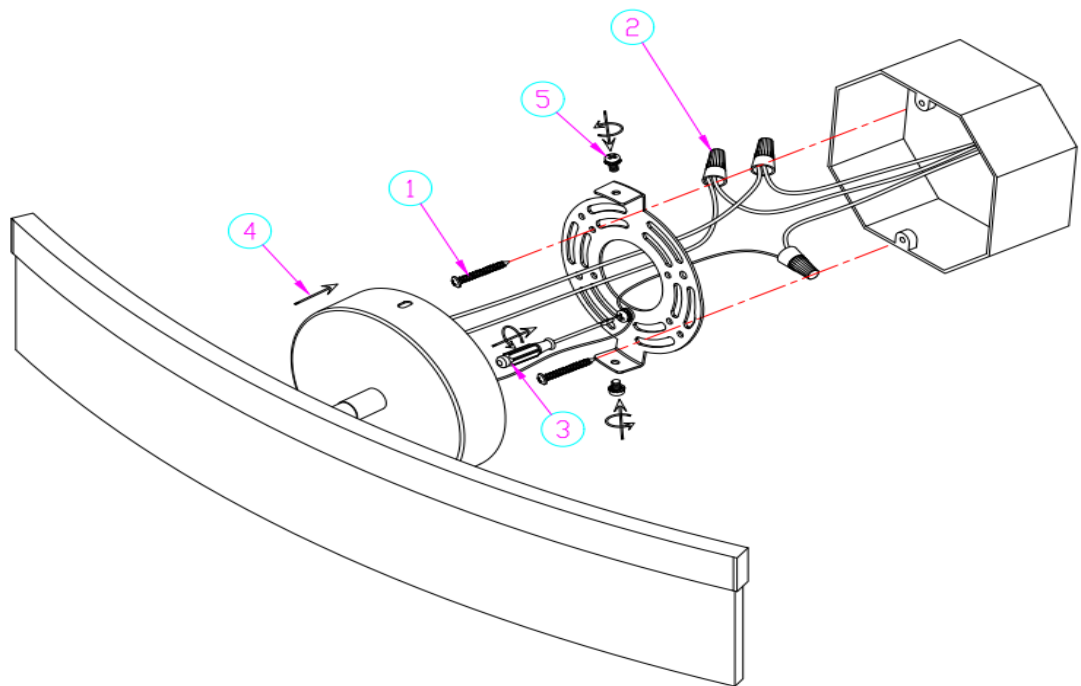
Wattage: 13W

Package includes

1 x Wall Light

1 x Accessories Kit

1 x User's Manual



Installation Instructions

1. Secure the mounting plate to the junction box using the provided screws.
2. Connect the fixture wires to the corresponding wires in the junction box using wire connectors:
 - L (Live / Black) to live wire
 - N (Neutral / White) to neutral wire
 - Ground wire (green or bare copper) to ground
3. Use the green screw on the mounting plate to securely attach the ground wire to the plate..
- 4-5. Align the canopy with the holes on the mounting plate, then fasten it in place using screws.

Note: please use this product accordingly to its intended purpose, do not retrofit or remodeling the product. The warranty does not cover if the failure is caused by the third party product, or natural disasters.

Made in China