

ADULT ASSEMBLY REQUIRED

KD 3-Compartment Storage Units: 1526303, 1526306

BIRD•IN•HAND
Woodworks, Inc.

Lancaster, Pennsylvania
A member of the School Specialty Family

Product Guide - General Instructions and Information

Customer Service:

P.O. Box 1579, Appleton, WI 54912-1579
Phone: 1-888-388-3224
Customer Care Website:
<https://help.schoolspecialty.com/s/>

Warning:

This product is for children. Supervision is required at all times.

Warning:

Manufacturer is not responsible for changes made to our products by customers.

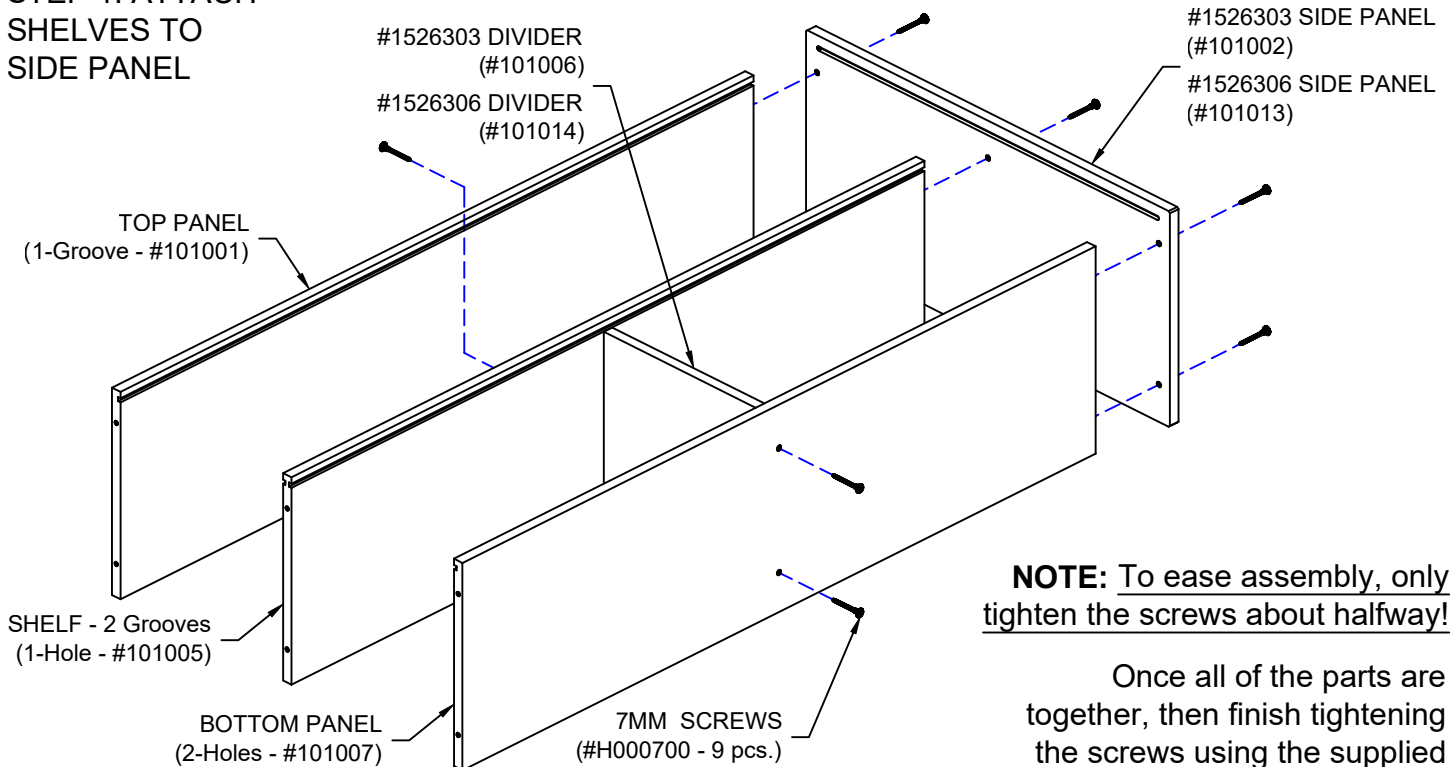
Cleaning:

Use a mild soap and water solution. Be sure to wipe all water from the wood surface.

Important:

Keep these instructions for future reference.

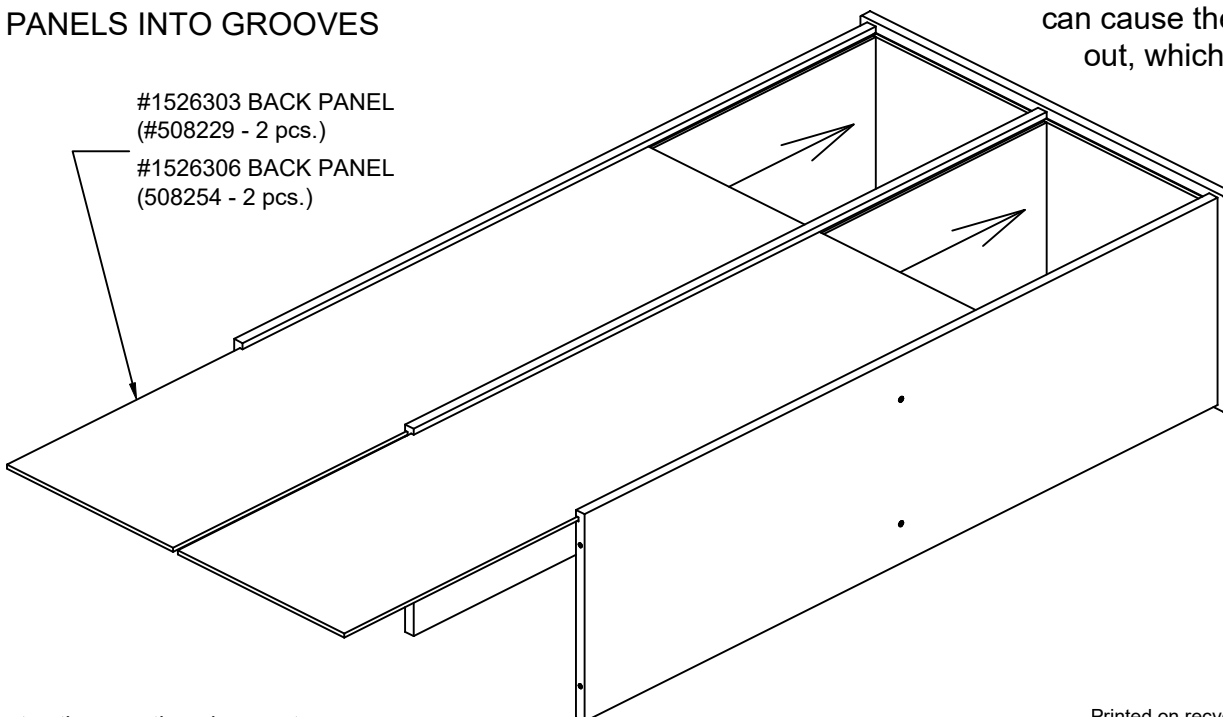
STEP 1: ATTACH SHELVES TO SIDE PANEL



NOTE: To ease assembly, only tighten the screws about halfway!

Once all of the parts are together, then finish tightening the screws using the supplied allen wrench. Do not over-tighten the screws! This can cause the screws to strip out, which will weaken the assembled unit.

STEP 2: INSERT BACK PANELS INTO GROOVES



ADULT ASSEMBLY REQUIRED

KD 3-Compartment Storage Units:

BIRD•IN•HAND

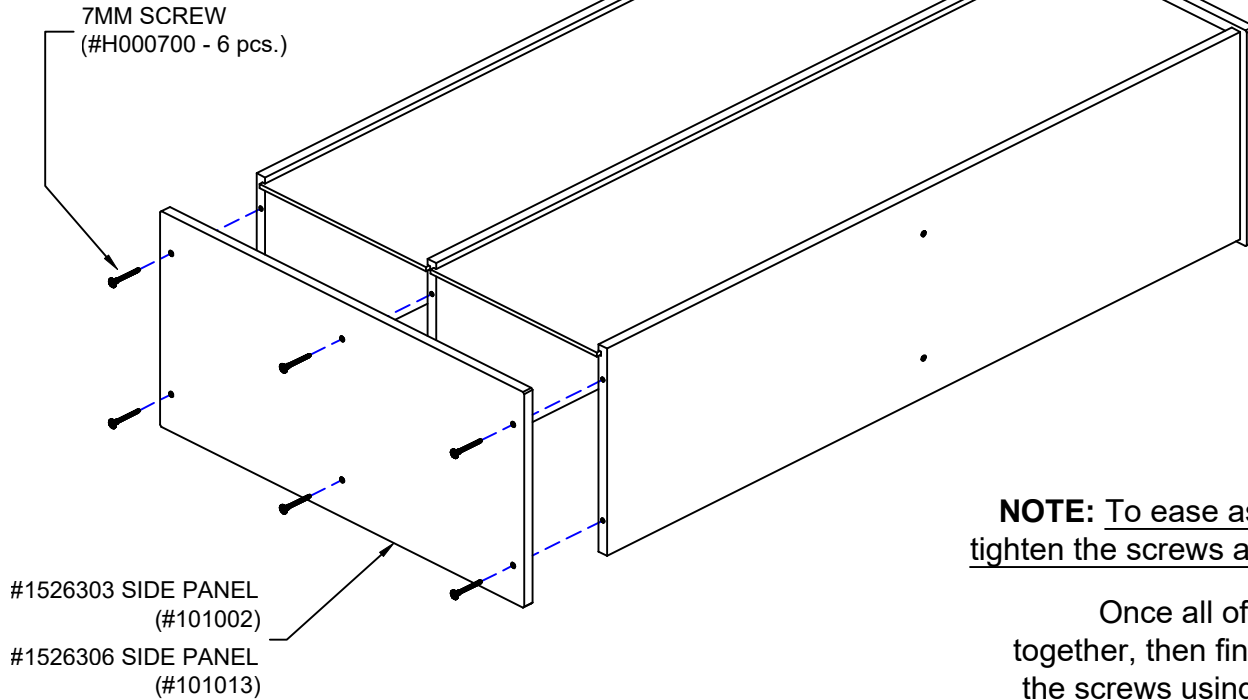
Woodworks, Inc.

Lancaster, Pennsylvania

A member of the School Specialty Family

Product Guide - General Instructions and Information

STEP 3: ATTACH REMAINING SIDE PANEL



NOTE: To ease assembly, only tighten the screws about halfway!

Once all of the parts are together, then finish tightening the screws using the supplied allen wrench. Do not over-tighten the screws! This can cause the screws to strip out, which will weaken the assembled unit.

STEP 4: ATTACH FEET TO BOTTOM PANEL

