


CHICKEN COOP

Owner's Manual



CE  Please read this manual carefully before assembly



1 x4pcs 55.91inch pipe



3 x6pcs 38.19inch pipe



5 x1pcs 66.14inch pipe



2 x10pcs 75.79inch pipe



4 x6pcs 60.63inch pipe



5 x1pcs 66.14inch pipe



A x1pcs 12.28+62.8inch



B x1pcs 12.2+62.8inch



6 x1pcs 24.8inch pipe



C x1pcs 19.57inch



D x6pcs



E x4pcs



F x2pcs



G x2pcs



H x3pcs



I x2pcs



J x2pcs



K x1pcs



L x1pcs



M x1pcs



N 20mx1



O x12pcs



P x2pcs



Q x1pcs Roof



R xNpcs



S xNpcs



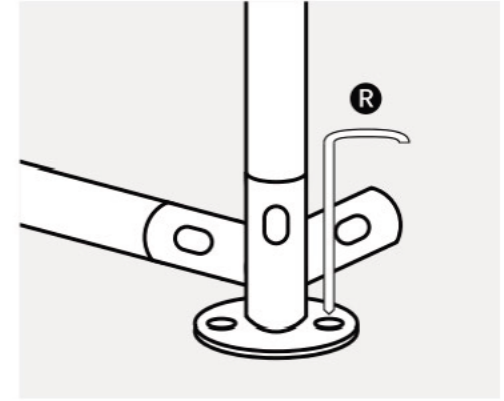
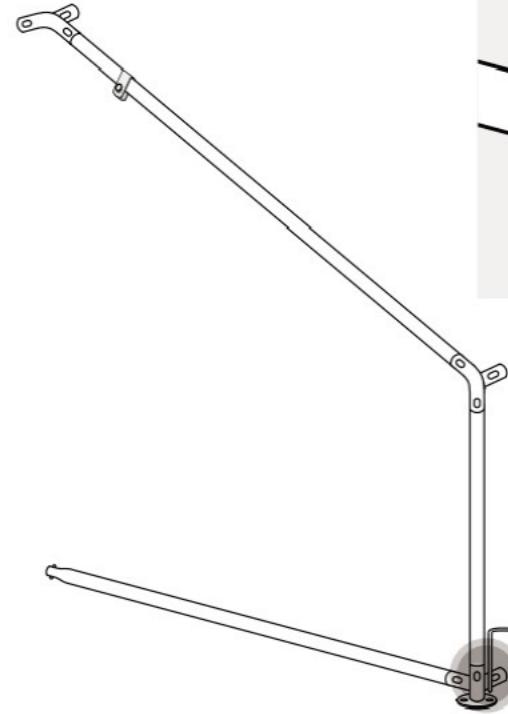
T xNpcs



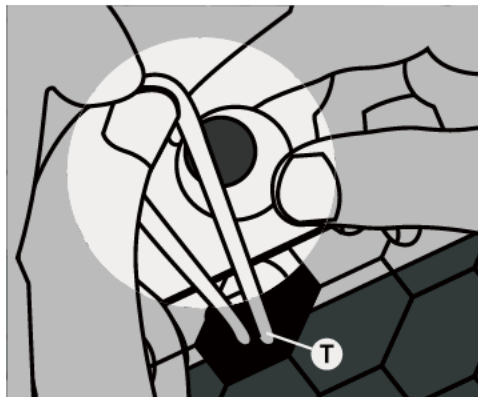
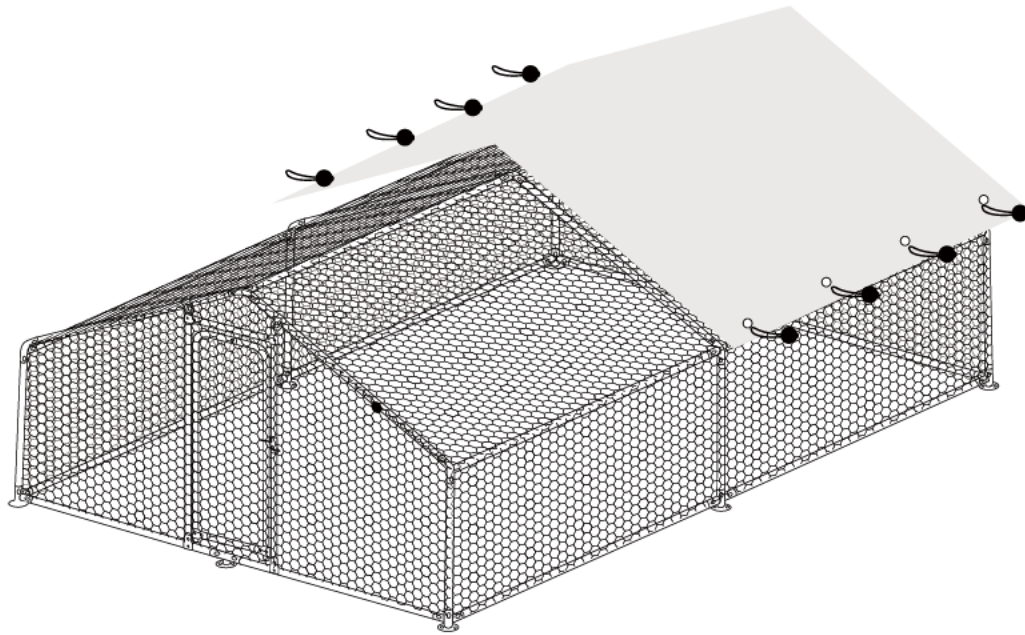
V x12pcs M8

Wear gloves all the time so you don't cut your hands

Step 13

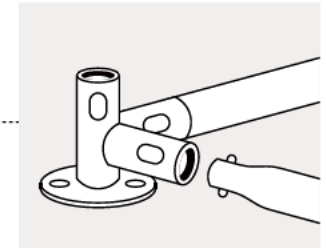
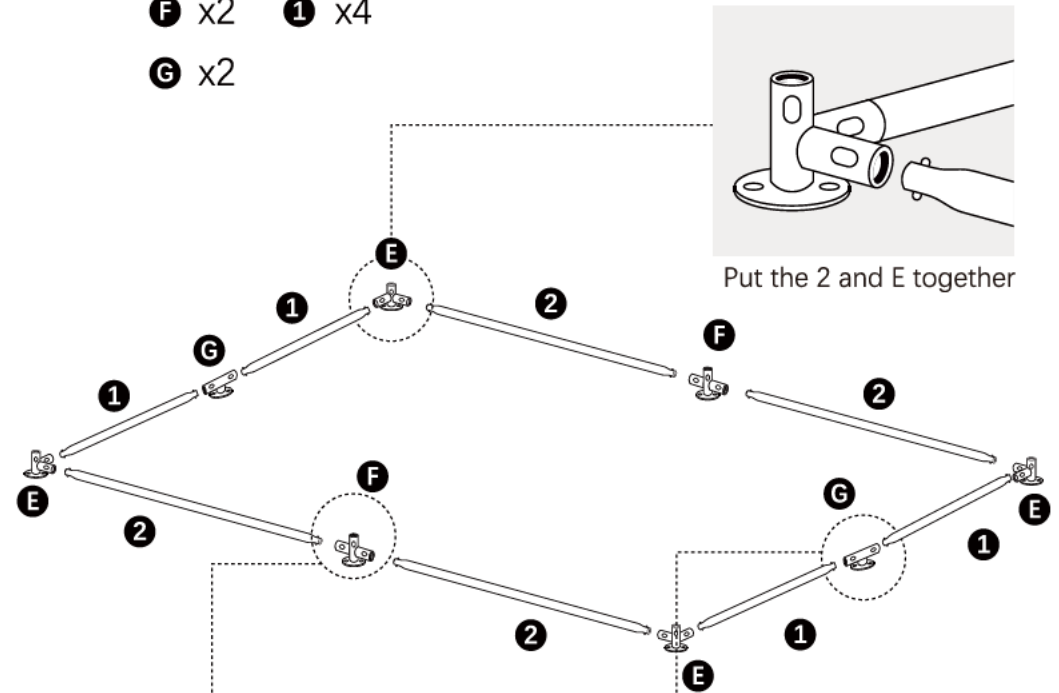


Step 12

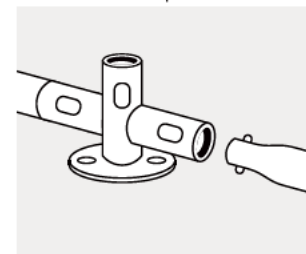


Step 1

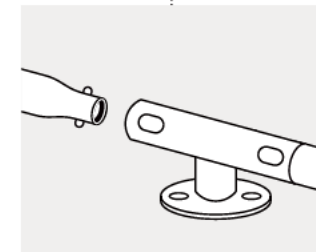
- E** x4 **2** x4
- F** x2 **1** x4
- G** x2



Put the 2 and E together



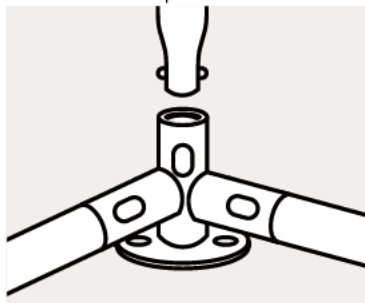
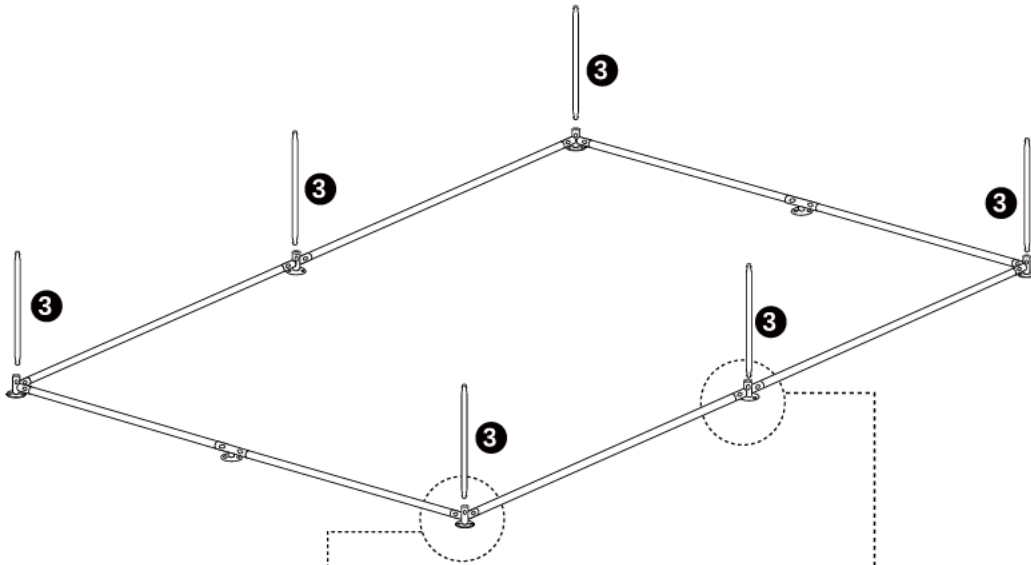
Put the 2 and F together



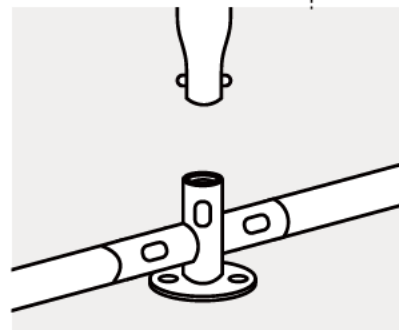
Put the 1 and G together

Step 2

3 x6

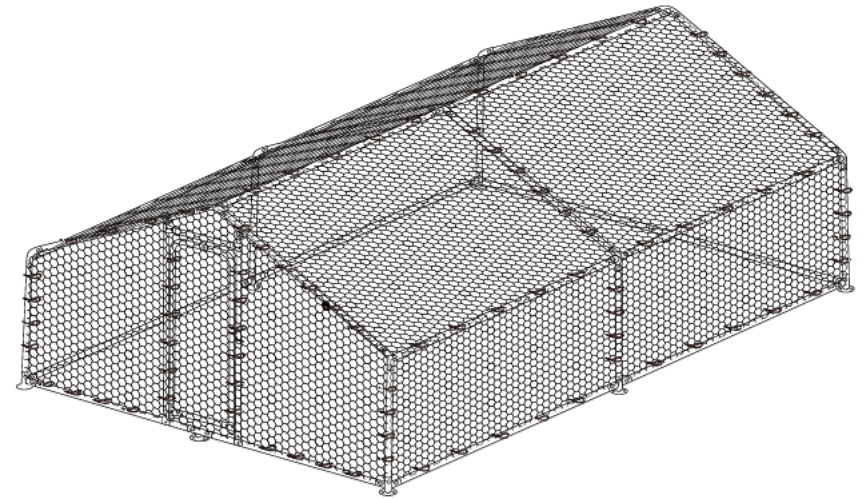


Put the 3 and E together

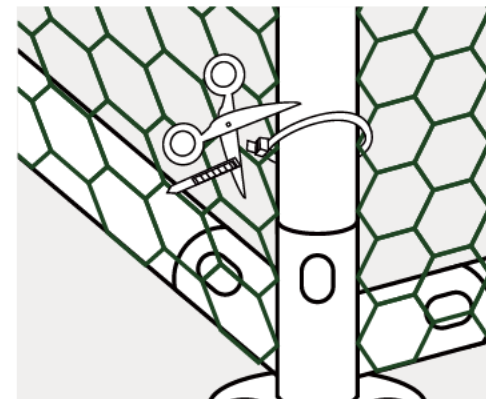


Put the 3 and F together

Step 11

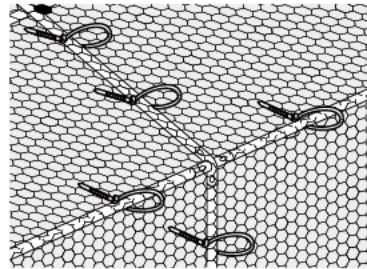
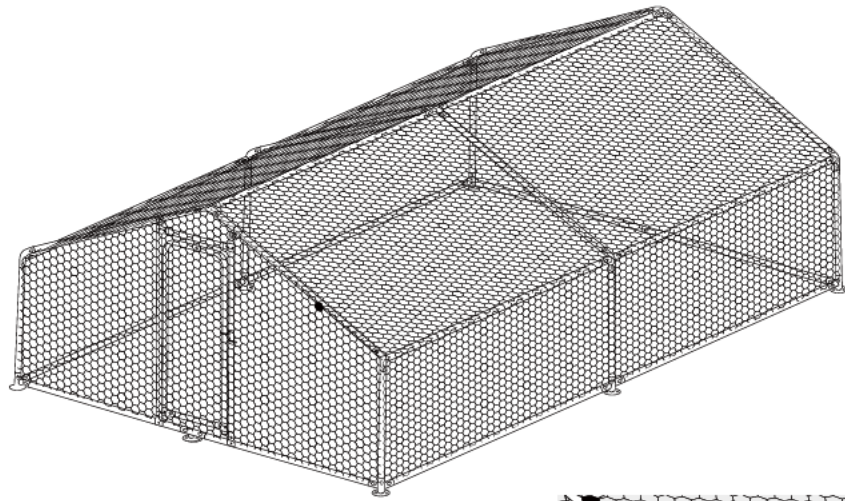


Secure all coop nets with cable ties

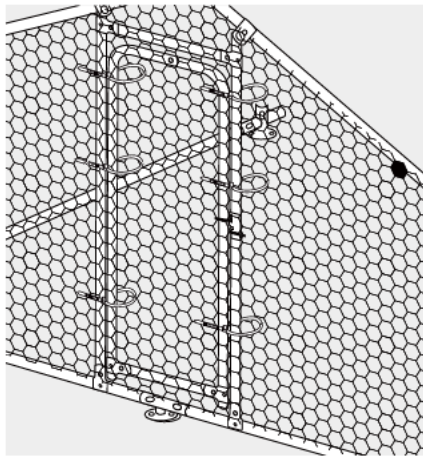


Cut the excess off the cable ties

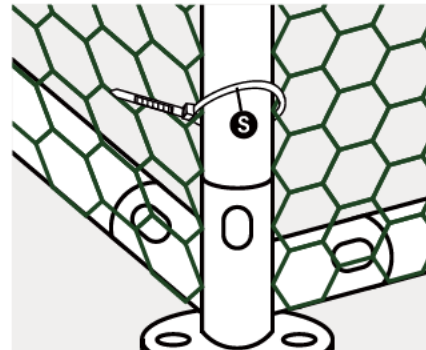
Step 10



Secure the net cover to the coop with tie straps



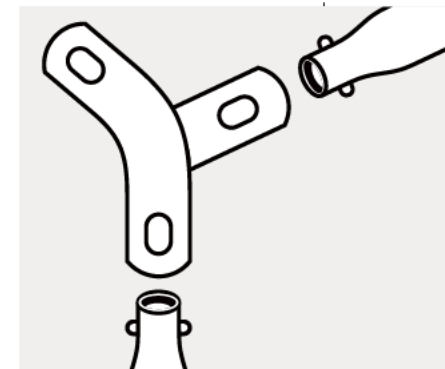
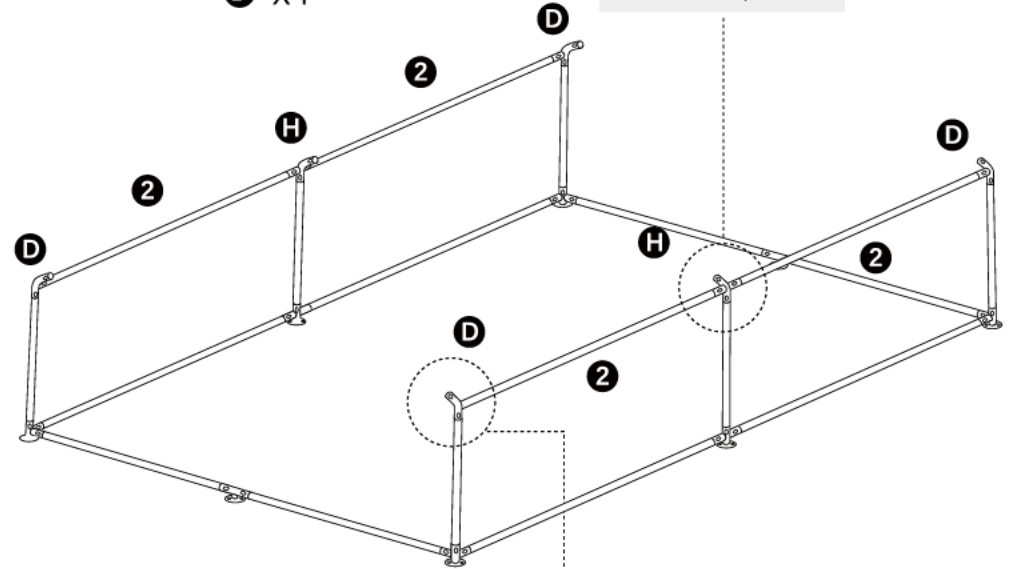
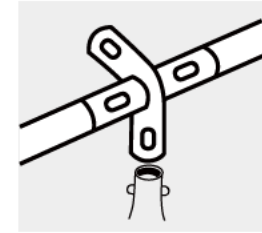
Secure the net cover to the coop with tie straps



Step 3

- ② x4
- Ⓜ x2
- ⓓ x4

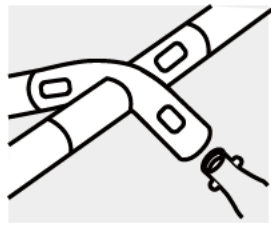
Put the H and 2 together



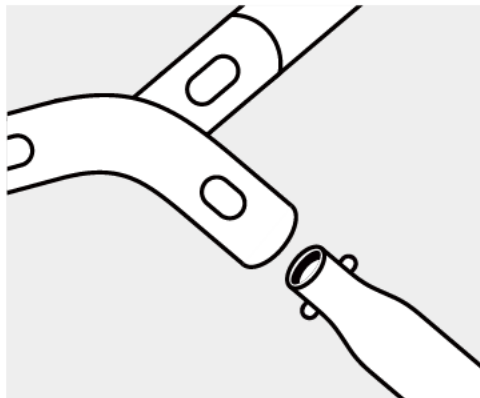
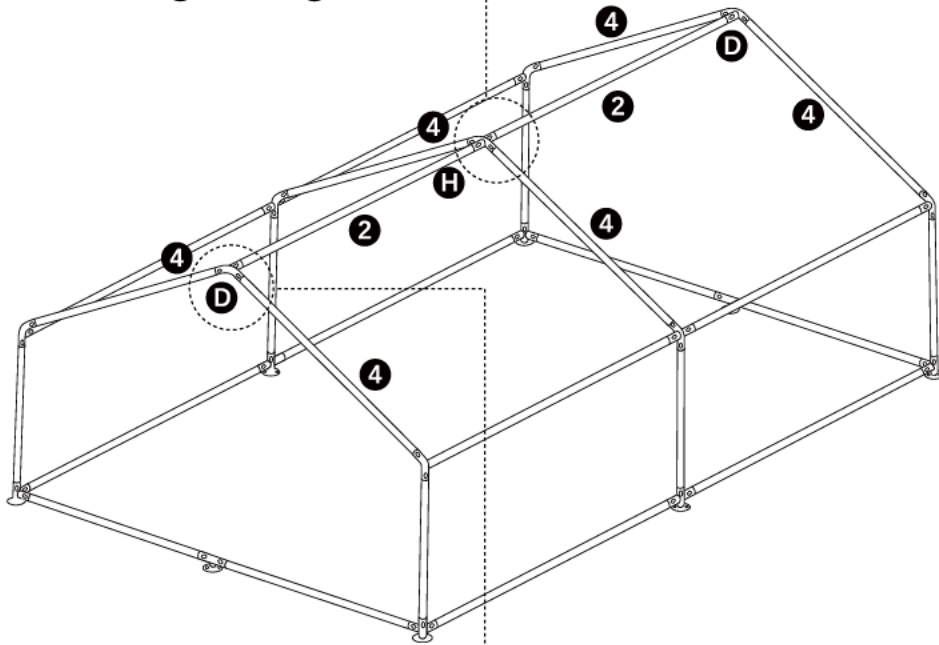
Put the D and 2 together

Step 4

④ x6 ② x2
ⓓ x2 ⓓ x1

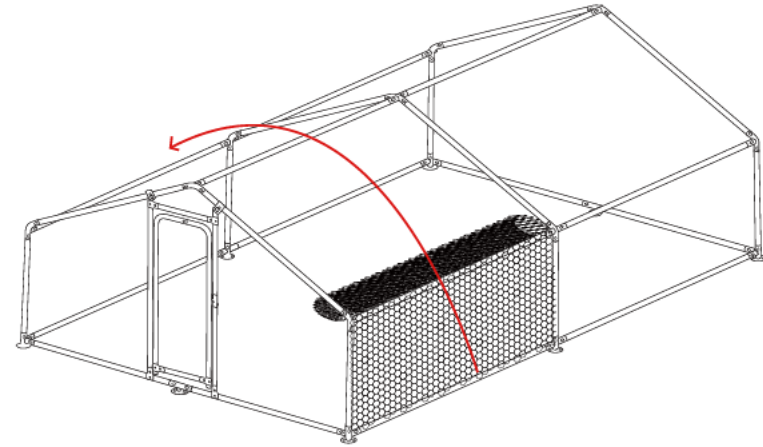


Let's put the 4, H and 2 together

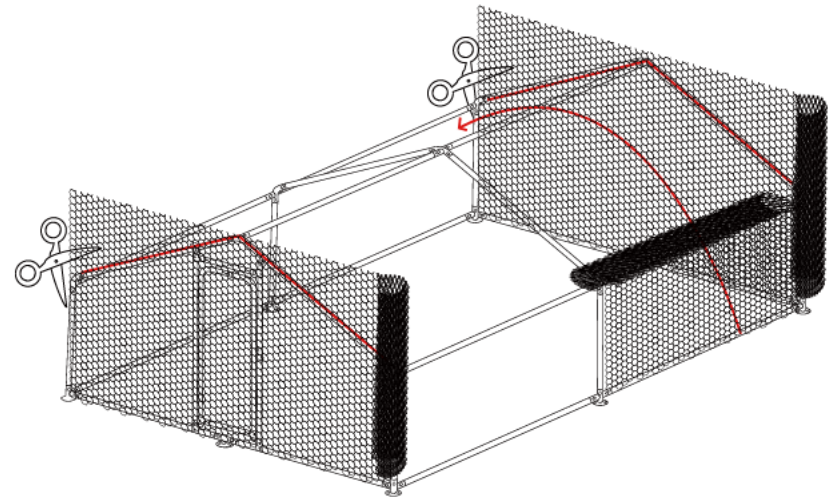


Let's put the 4, D and 2 together

Step 9

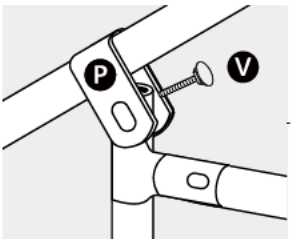


Put the net over the frame of the coop

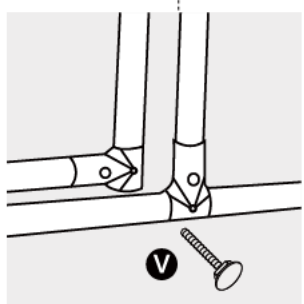
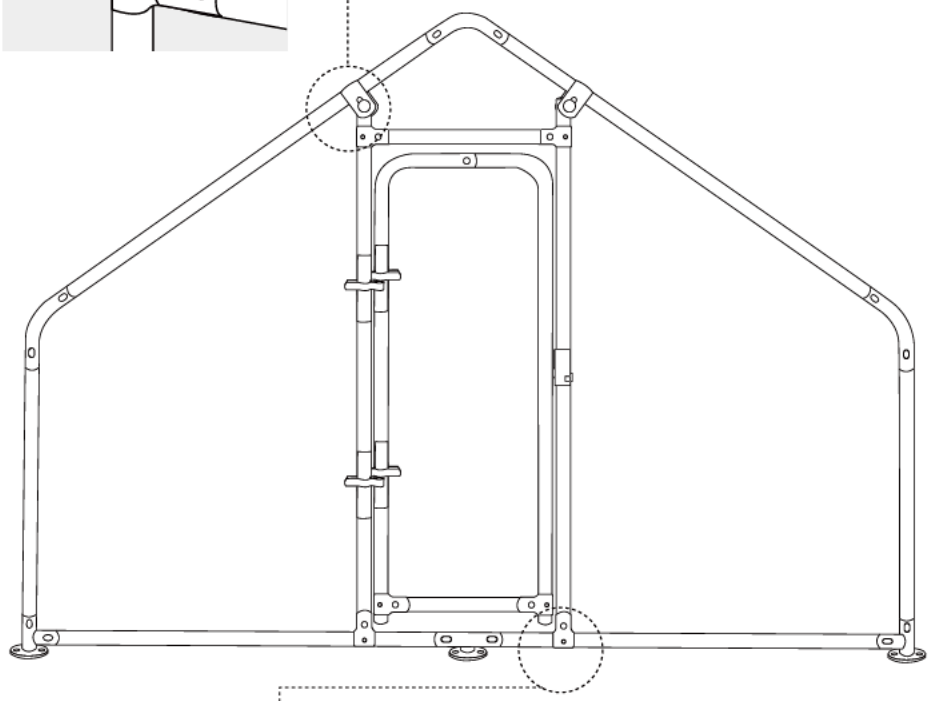


Cut off the extra chicken coop mesh

Step 8

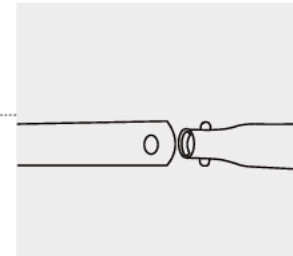


V x4



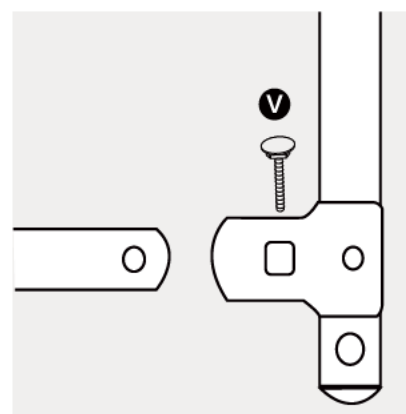
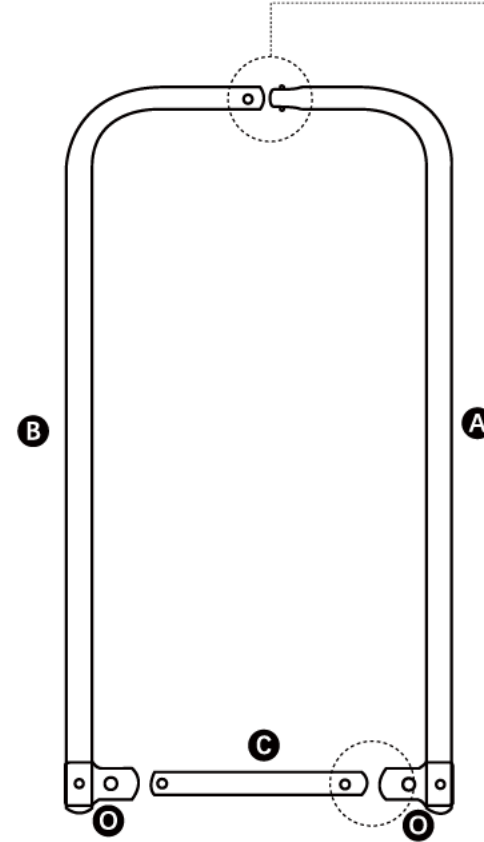
Secure the door with the V screws

Step 5



Put the A and B together

- A x1
- B x1
- C x1
- O x2

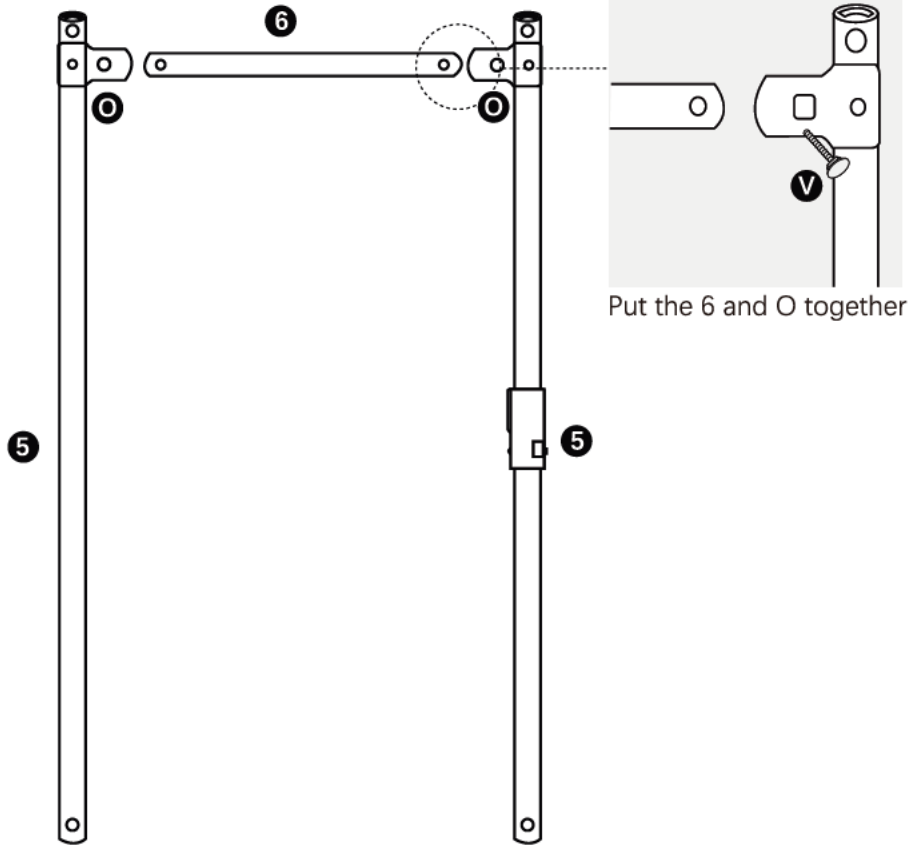


V x2

Put the O and C together

Step 6

5 x2 6 x1
O x2



Step 7

I x2
J x2

