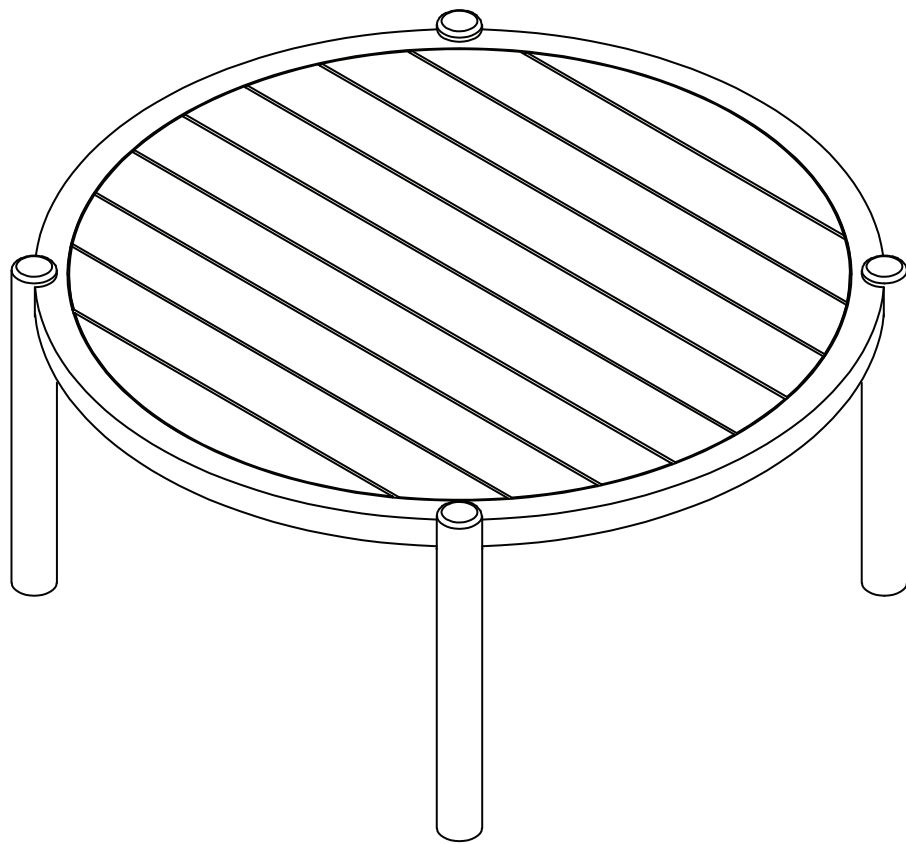


Let's build the

# Bora Outdoor Coffee Table

SKU 22440



**Scan me!**

Free Lifetime  
Warranty

nathan james

24-1220-VN

# Ok, let's get rolling

This should be easy, just follow our instructions and you will be back to Netflix in no time.

## Estimated time for assembly



20:00

## What you need

- Some bubbly or your preferred relaxant
- Use the packaging carton as a working surface to prevent product damage during assembly

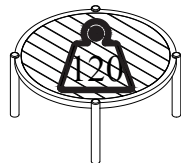
Do not use a drill



## Weight Limitation



120  
lbs



Toll-free at 1-866-619-1004  
Help@nathanjames.com  
Nathanjames.com/help

## What's included

Description		Qty
A	Tabletop Assembly	1
B	Legs	4
1	Ø10 x 30mm Wooden Dowel (Extra 1pc)	5
2	Ø1/4" x 65mm Hex Button Head Bolt	8
3	Ø1/4" x 10mm Spring Washer	8
4	Ø1/4" x 19mm Flat Washer	8
5	Allen Key	1
6	Leveler (Extra)	2

①



②



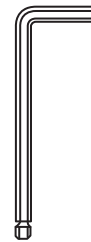
③



④



⑤



⑥

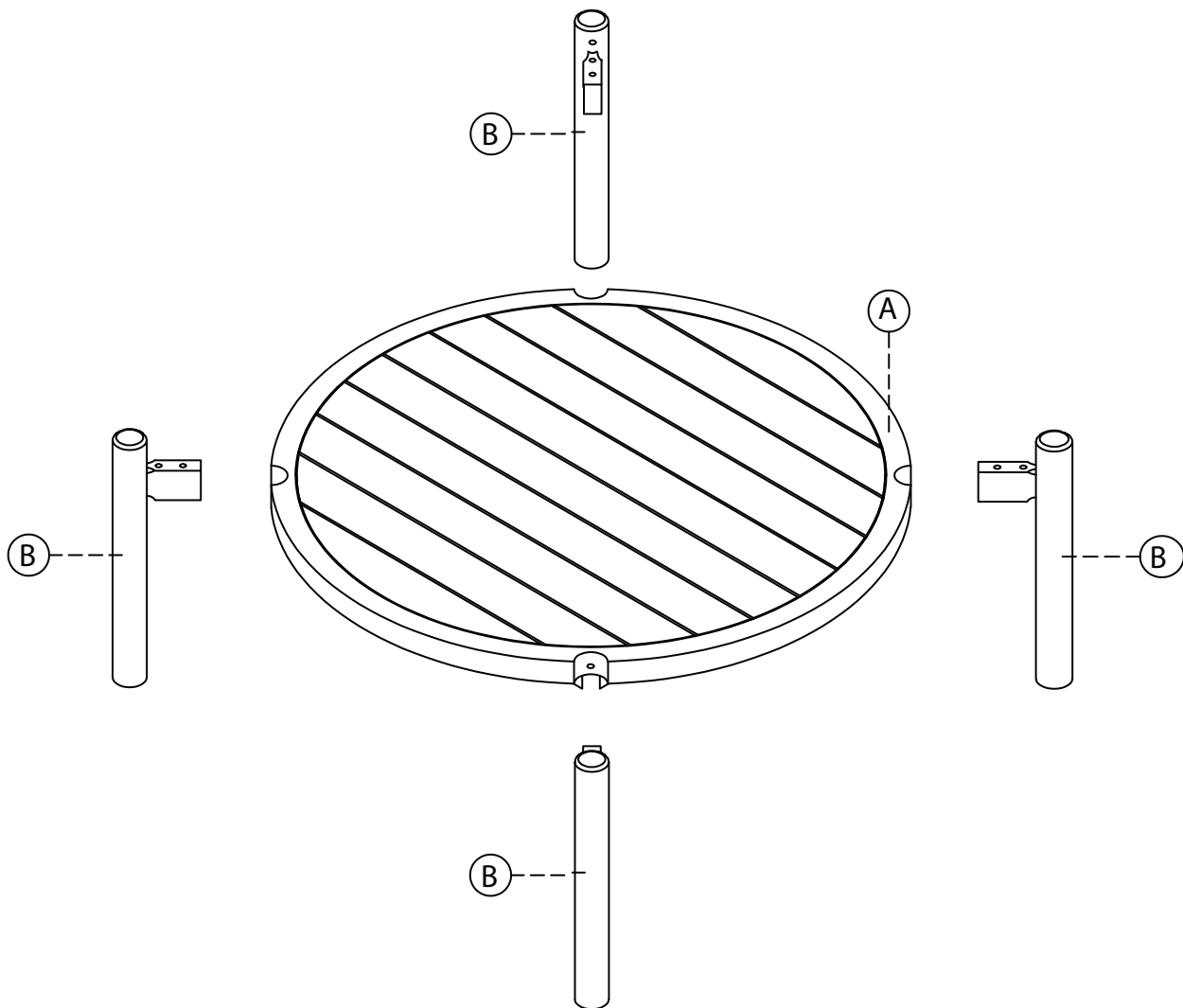


Scan me!

Free Lifetime  
Warranty



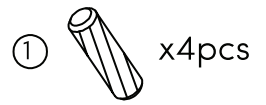
# The goods



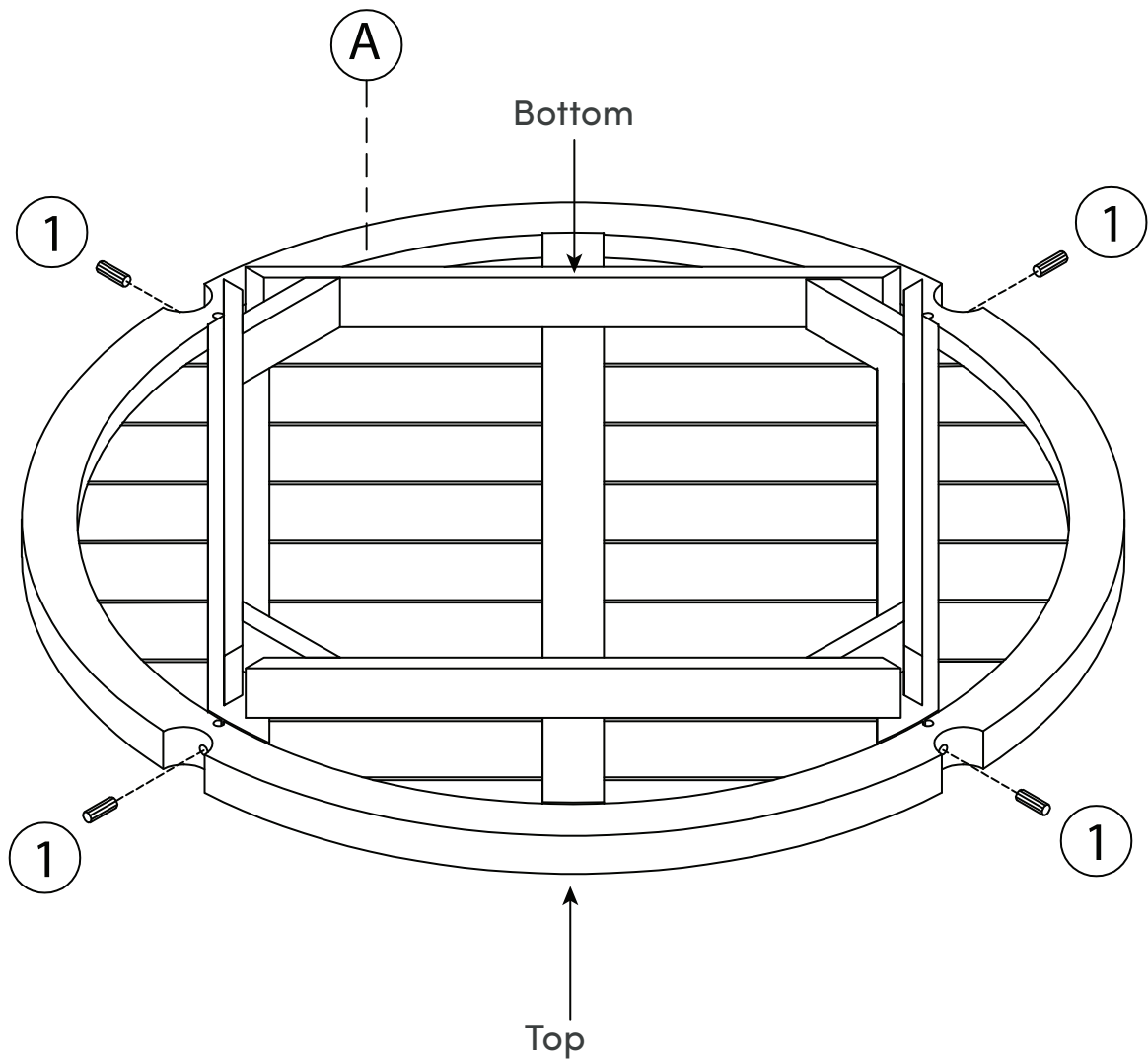
## IMPORTANT

1. Do not tighten bolts / screws completely until all bolts / screws are lined up and inserted into holes.
2. Do not over tighten screws and bolts to avoid stripping.
3. Please use hand tools to assemble this product. Do not use power tools for assembly.

# Step 1

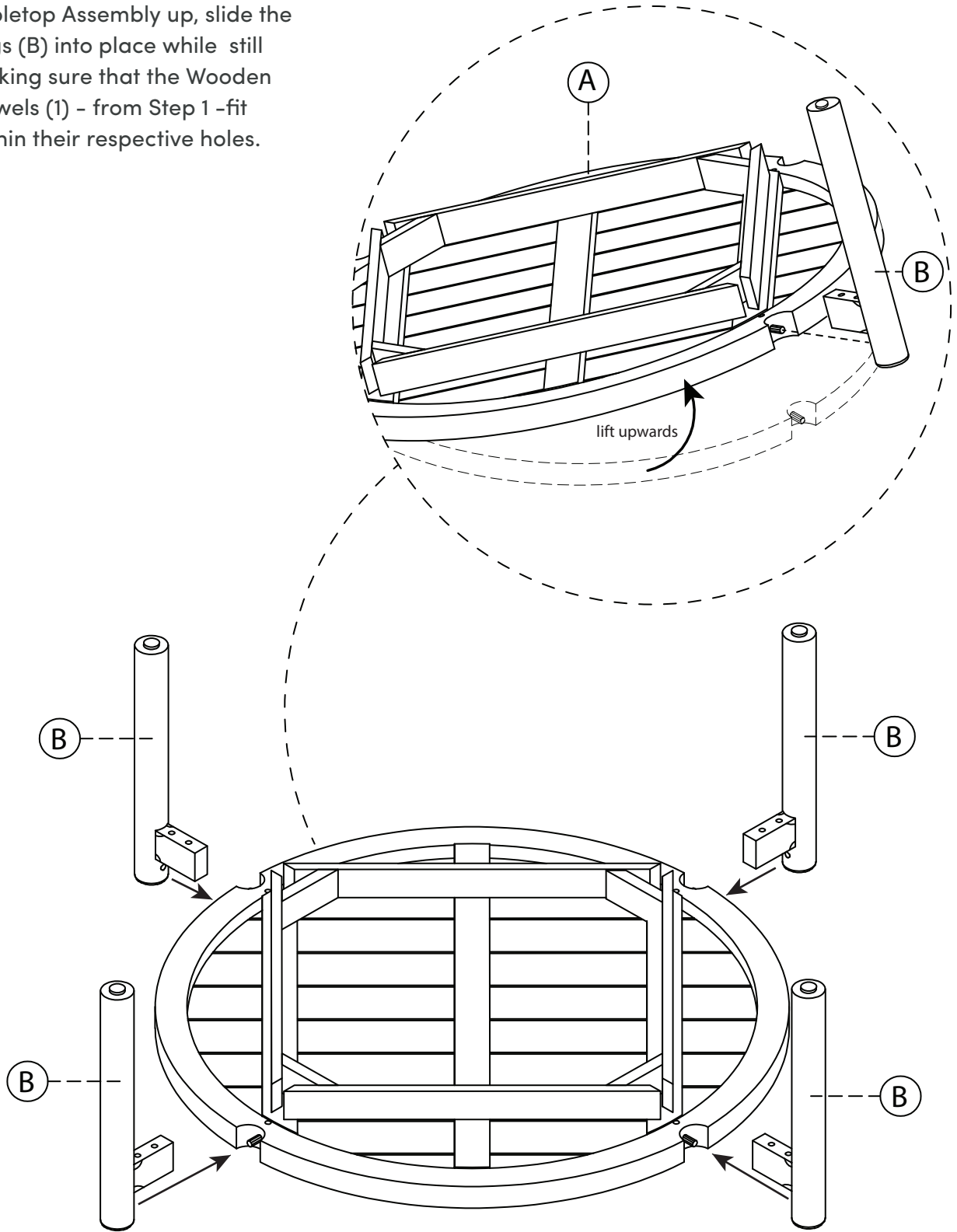


Let's get this thing fired up!  
First, with the top facing down,  
insert the Wooden Dowels (1)  
into the holes along the edge of  
the Tabletop Assembly (A).



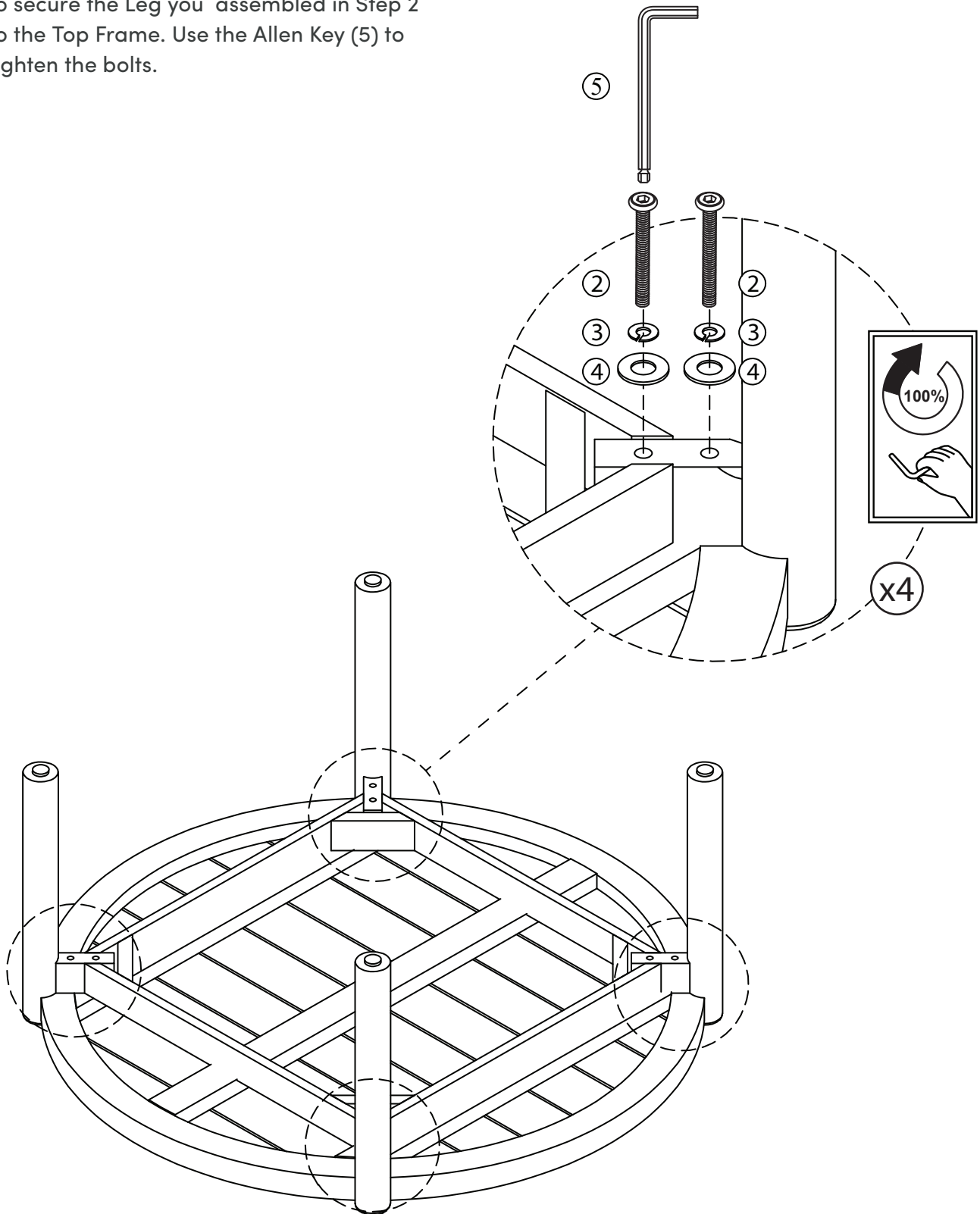
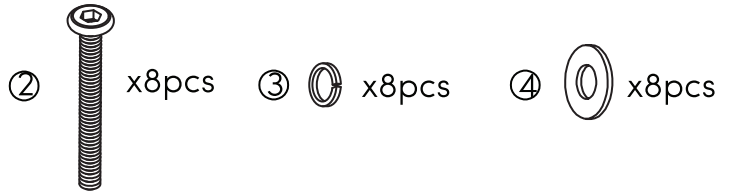
# Step 2

Next, while gently lifting the Tabletop Assembly up, slide the Legs (B) into place while still making sure that the Wooden Dowels (1) - from Step 1 - fit within their respective holes.



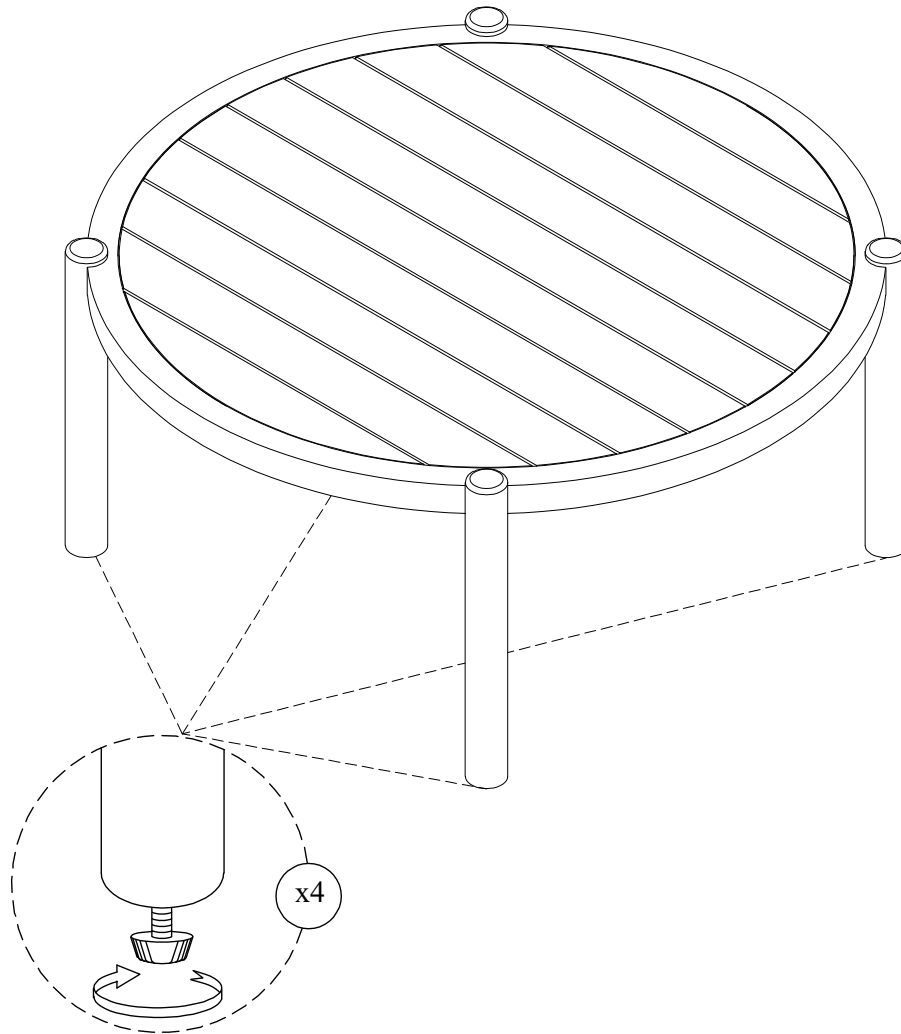
# Step 3

Next, use the Hex Bottom Head Bolts (2), the Spring Washer(3) and the Flash Washer(4) to secure the Leg you assembled in Step 2 to the Top Frame. Use the Allen Key (5) to tighten the bolts.



# Step 4

Your next step, go ahead and double-check that the Leg (B) is touching the ground. If not, it has an adjustable leveler in order to suit all flooring types.



# No heartburn, when we handle the return

Give us a call **1-866-619-1004** or shoot us a message at **help@nathanjames.com** we will issue you a free replacement with **zero hassle**.

## Our way



Give us a call

---



Replacement

---



You

## Their way



Re-package item

---



Schedule pick up

---



Track package

---



Replacement

---



You

We really don't want you to go through the hassle of re-packaging your item and sending it back, because let's be honest...nobody has time for that.

# Safety first, fun later

We want your product to last as long as possible, so we recommend that you tighten the screws 2 weeks after assembly and for added safety check the tightness of all screws every 2 months.

For proper care and treatment, please check our website at [NathanJames.com/products](http://NathanJames.com/products)

## Safe use of this product starts with you.

Use this product responsibly with the primary concern for your safety. Follow assembly instructions carefully and inspect product upon receipt and each use.

Nathan James and its parent companies cannot be held legally responsible for any injuries or death resulted from failure to follow instructions or improper use of this product.

## Do not modify the structure of this product in any way.

Our products have been tested to meet specific safety measures as they were originally intended to be sold. Any modifications will present the risk of creating significant safety issues which NJ will not be responsible for.

## Proper use

- DO NOT** use for commercial purposes
- DO NOT** frolic on table
- DO NOT** use table as foot stool
- DO NOT** leave spilled liquid on table
- DO NOT** use table if damaged
- DO NOT** make temporary repairs

# We are only in business if you're happy

For starters, thanks for being you.

- ☎ Toll-free at 1-866-619-1004
- ✉ Help@nathanjames.com
- 🌐 NathanJames.com/help

We do our best to ensure your furniture arrives without any problems, but occasionally mistakes happen—as humans we are imperfect beings. In the event that a part is damaged or missing, we will be more than happy to provide you with replacement part(s) for free.

## Warranty

This product comes with a lifetime warranty from the date of purchase. Please use your phone to scan the QR code to register your product or visit <https://goo.gl/i9dk3q>



### Did we do alright? Please spread the love!

If you are happy with your product, tell your friends and family about us or even better leave us a review online. Spreading the word gives us the opportunity to make more people happy and keep our prices low for your next purchase.

*Brooklyn Burdon*

Founder, Nathan James