

ASSEMBLY INSTRUCTIONS



Fine Furniture for every stage of life

Accent Table

ASSEMBLY INSTRUCTIONS

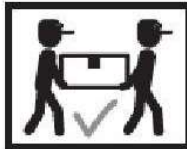
ASSEMBLY TIPS :

1. Remove hardware from box and sort by size.
2. Please check to see that all hardware and parts are present prior to start of assembly.
3. Please follow attached instructions in the same sequence as numbered to assure fast & easy assembly.



WARNING!

1. Don't attempt to repair or modify parts that are broken or defective. Please contact the store immediately.
2. This product is for home use only and not intended for commercial establishments.



ASSEMBLY TIME

15 MINUTES

PARTS IDENTIFICATION

A

TOP



1PC

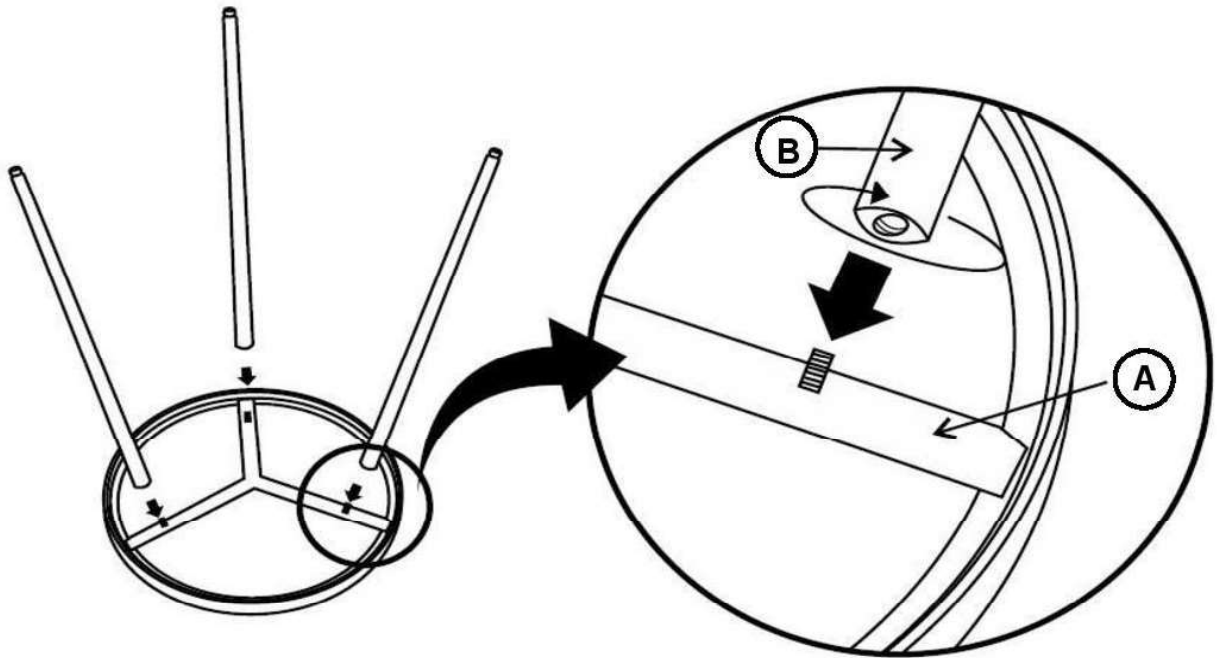
B

LEG

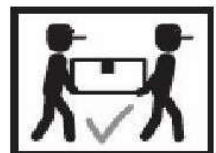
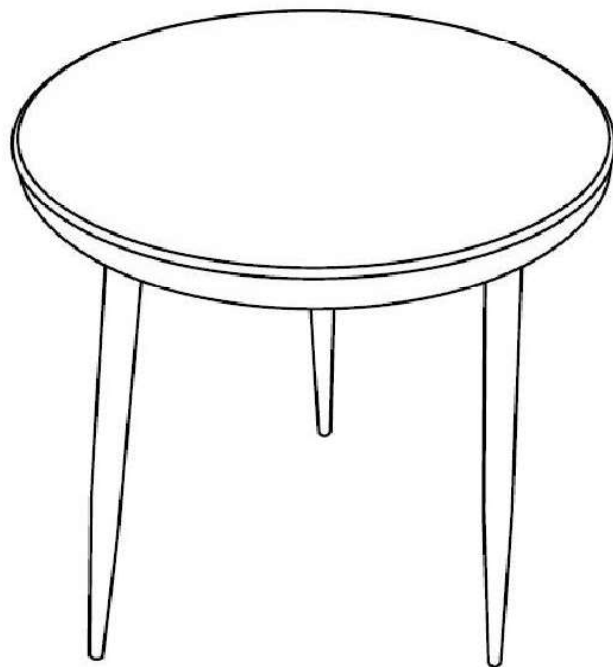


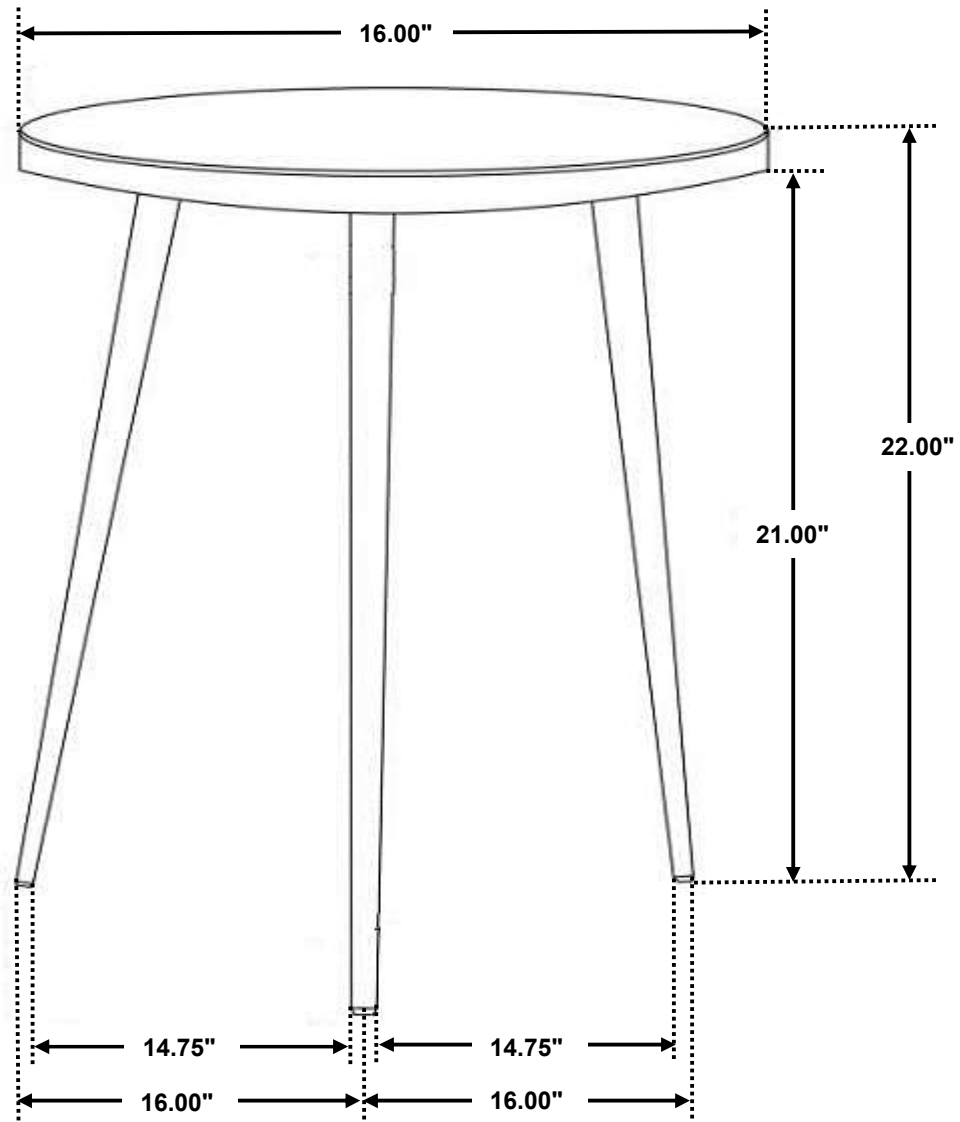
3PCS

ASSEMBLY INSTRUCTIONS
STEP 1



STEP 2
COMPLETE





Note : Dimension tolerance $\pm 5\%$