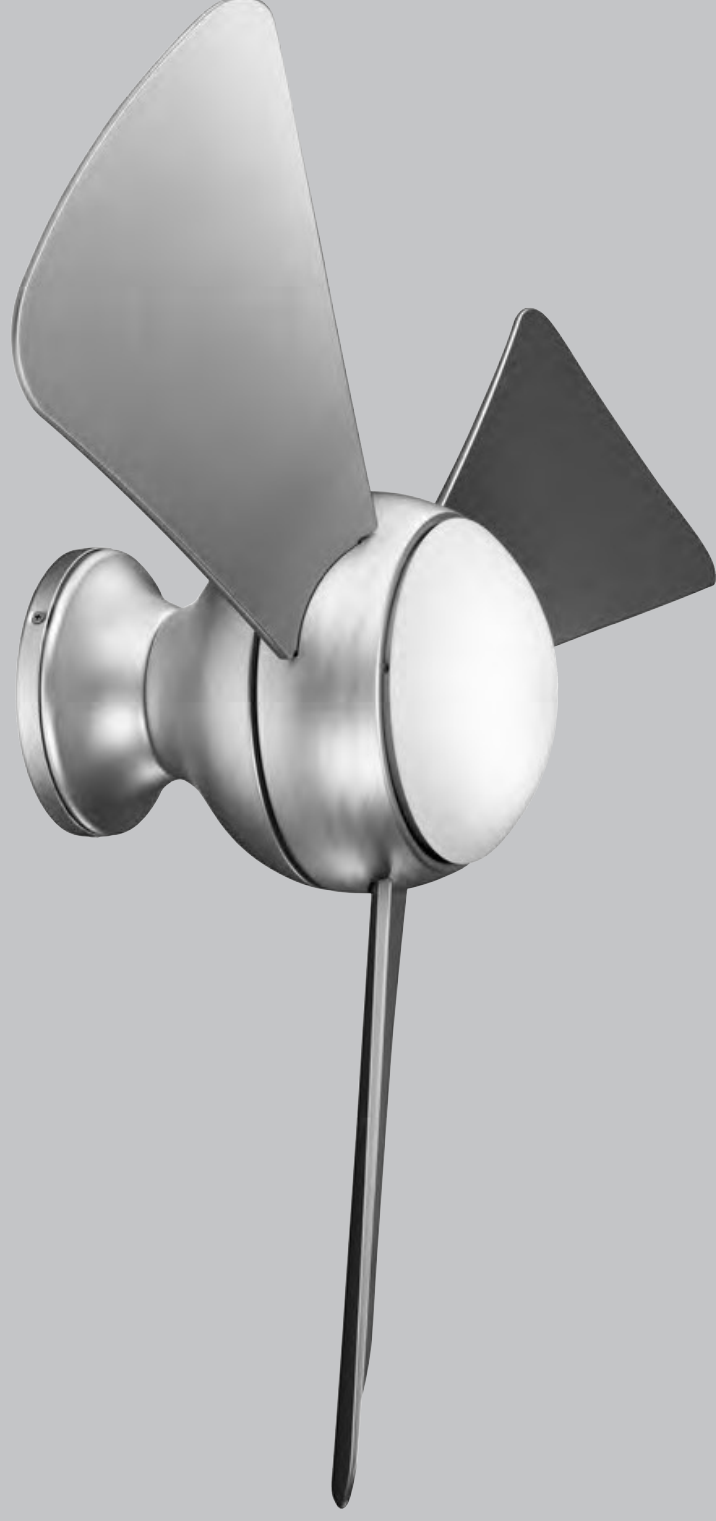


KICHLER®

SOLA

Product images may vary slightly from actual product.



INSTRUCTION MANUAL

TABLE OF CONTENTS

| | | | |
|--------------------------------------|---|----------------------------------|----|
| SAFETY RULES | 4 | FINISHING THE INSTALLATION..... | 11 |
| TOOLS AND MATERIALS REQUIRED | 5 | INSTALLING THE TRANSMITTER | 15 |
| PACKAGE CONTENTS | 5 | CONTROL SYSTEM SET-UP | 16 |
| MOUNTING OPTIONS | 6 | OPERATING INSTRUCTIONS | 17 |
| HANGING THE FAN | 7 | TROUBLESHOOTING | 18 |
| INSTALLATION OF SAFETY SUPPORT | 8 | FCC INFORMATION..... | 19 |
| ELECTRICAL CONNECTIONS | 9 | | |

SAFETY RULES

1. To reduce the risk of electric shock, ensure electricity has been turned off at the circuit breaker or fuse box before beginning.
2. All wiring must be in accordance with the National Electrical Code (NEC) and local electrical codes. Electrical installation should be performed by a qualified licensed electrician.
3. **WARNING:** To reduce the risk of electric shock, do not use this fan with any solid-state speed control. Use only the control provided with the fan.
4. **WARNING:** To reduce the risk of fire, electric shock, or personal injury, mount to outlet box UL-listed marked "Acceptable for fan support of 15.9 kg (35 lbs.) or less" and use mounting screws provided with the outlet box and/or support directly from building structure. Most outlet boxes commonly used for the support of luminaires are not acceptable for fan support and may need to be replaced, consult a qualified electrician if in doubt.

WARNING

TO REDUCE THE RISK OF FIRE, ELECTRIC SHOCK OR PERSONAL INJURY, MOUNT FAN TO OUTLET BOX MARKED "ACCEPTABLE FOR FAN SUPPORT".

5. The outlet box and support structure must be securely mounted and capable of reliably supporting a minimum of 35 pounds. Use only CUL Listed outlet boxes marked "FOR FAN SUPPORT".
6. The fan must be mounted with a minimum of 7 feet clearance from the trailing edge of the blades to the floor.
7. To operate the reverse function on this fan, press the reverse button while the fan is running. A few seconds later the fan will slow to a stop and then reverse direction.
8. Avoid placing objects in the path of the blades.

9. To avoid personal injury or damage to the fan and other items, be cautious when working around or cleaning the fan.
10. Do not use water or detergents when cleaning the fan or fan blades. A dry dust cloth or lightly dampened cloth will be suitable for most cleaning.
11. After making the electrical connections, spliced conductors should be turned upward and pushed carefully up into outlet box. The wires should be spread apart with the ground wire and white (common) wire to one side with the black (load) wire to the other side of the outlet box.
12. Electrical diagrams are reference only. Light kits that are not packed with the fan must be Listed and marked suitable for use with the model fan you are installing. Switches must be General Use Switches. Refer to the Instructions packaged with the light kits and switches for proper assembly.

WARNING

TO REDUCE THE RISK OF PERSONAL INJURY, DO NOT BEND THE BLADE BRACKETS (ALSO REFERRED TO AS FLANGES) DURING ASSEMBLY OR AFTER INSTALLATION. DO NOT INSERT OBJECTS IN THE PATH OF THE BLADES.

TOOLS AND MATERIALS REQUIRED

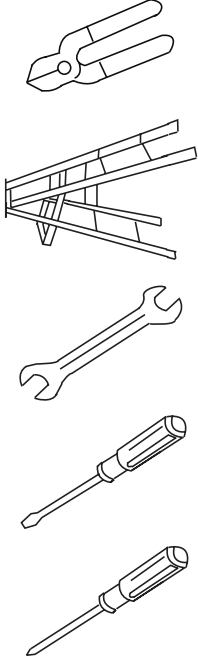
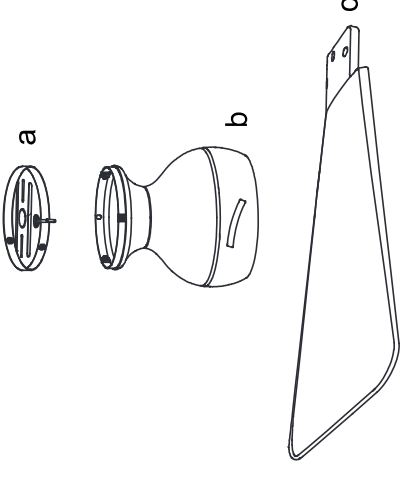
Phillips screwdriver

Blade screwdriver

11mm wrench

Step ladder

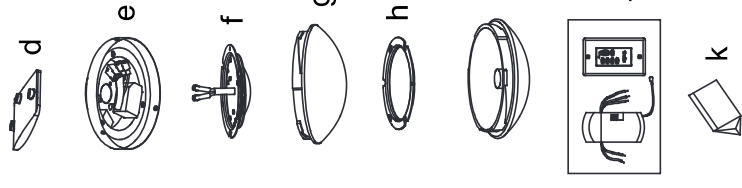
Wire cutters



PACKAGE CONTENTS

Unpack your fan and check the contents . You should have the following items:

- a. Ceiling mounting bracket
- b. Fan motor assembly
 - 1) Safety cable hardware
 - 2) wood screw (1), spring washer (1) flat washer (1)
- c. Fan blades (3)
- d. Fan blade trim (3)
- e. Switch housing
 - 3) Mounting hardware: wire nuts(3)
- f. LED assembly
- g. Glass shade
- h. Light kit wire cover
- i. Steel cap
- j. Wall mount control system



MOUNTING OPTIONS

If there isn't an existing ETL listed mounting box, then read the following instructions. Disconnect the power by removing fuses or turning off circuit breakers.

Secure the outlet box directly to the building structure. Use appropriate fasteners and building materials. The outlet box and its support must be able to fully support the moving weight of the fan (at least 50 lbs). Do not use plastic outlet boxes.

Figures 1, 2 and 3 are examples of different ways to mount the outlet box.

NOTE: If you are installing the ceiling fan on a sloped (vaulted) ceiling, you may need a longer downrod to maintain proper clearance between the tip of the blade and the ceiling. A minimum clearance of 12" is suggested for optimal operation.

NOTE: Depending on the location you have selected for installation, you may need to purchase and install a "Joist Hanger" for the support of the outlet box. Make sure the joist hanger you purchase has been designed for use with ceiling fans. (**Fig. 4**)

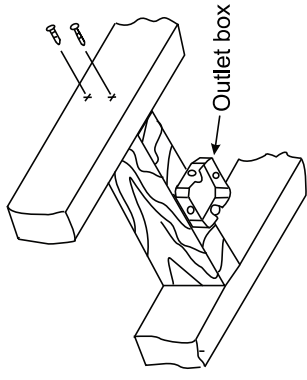


Fig. 1

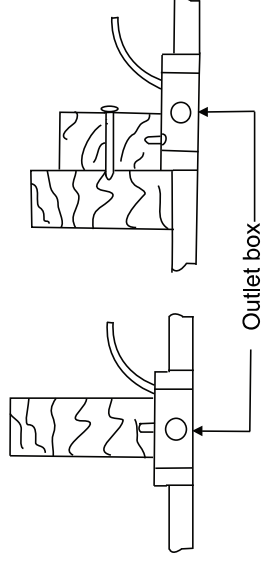


Fig. 2

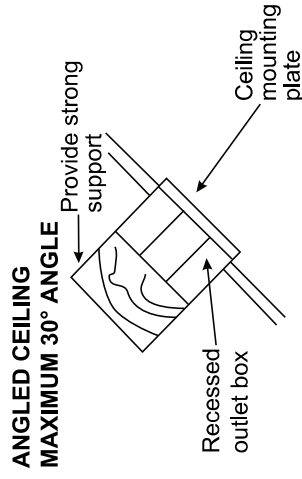
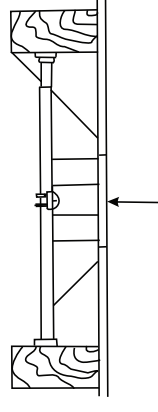


Fig. 3



Outlet box
Fig. 4

HANGING THE FAN

REMEMBER to turn off the power before you begin installation. This is necessary for your safety and also the proper programming of the control system.

To properly install your ceiling fan, follow the steps below.

Step 1. Pass the 120 Volt supply wires from the ceiling outlet box through the center of the mounting bracket. Securely attach the ceiling mounting plate/bracket to the ceiling outlet box as shown (**Fig. 5**).

Step 2. Hook the motor body onto the ceiling mounting plate/bracket as shown. You can now proceed with the electrical wiring of your fan (**Fig. 6**).

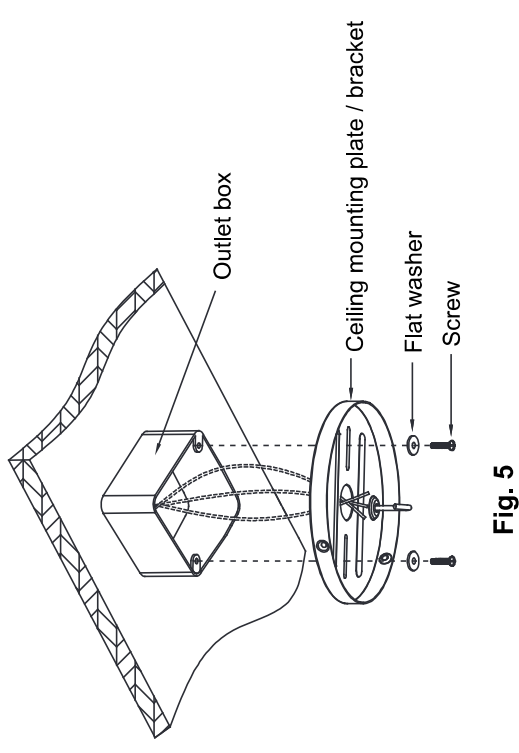


Fig. 5

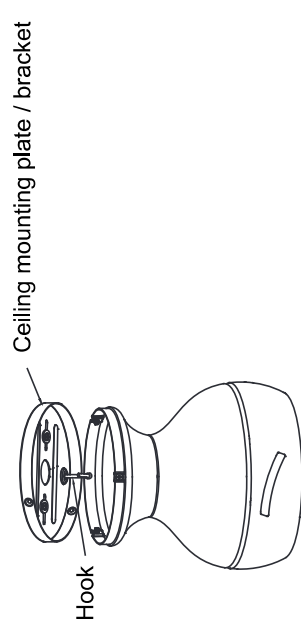


Fig. 6

INSTALLATION OF SAFETY SUPPORT (Required for Canadian installation ONLY)

A safety support cable is provided to help prevent the ceiling fan from falling. Please install it as follows:

Step 1. Drive a wood screw and washers into the side of the brace that holds the outlet box. Leave 3mm (1/8") of space between the support brace and the washer (**Fig. 7**).

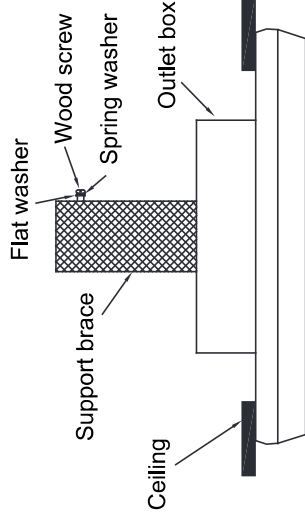


Fig. 7

Step 2. Insert the safety cable through the mounting bracket and one of the holes in the outlet box into the ceiling. Adjust the length of the safety cable to reach the screw and washers by pulling the extra cable through the cable clamp until the overall length is correct. Put the end of the cable back through the cable clamp, forming a loop at the end of the cable. Tighten the cable clamp securely. Now, put the loop in the end of the safety cable over the wood screw and under the washer. Tighten the wood screw securely (**Fig. 8**)

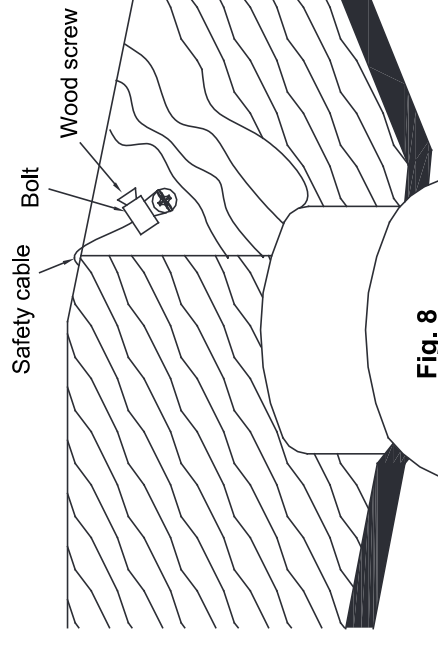


Fig. 8

NOTE: Although the safety support cable is required for Canadian installations only, it's a good idea to make the attachment with any installation.

ELECTRIC CONNECTIONS

WARNING: To avoid possible electric shock, be sure you have turned off the power at the main circuit panel before wiring.

Follow the steps below to connect the fan to your household wiring. Use the wire connecting nuts supplied with your fan. Secure the connectors with electrical tape. Make sure there are no loose wire strands or connections.

WARNING: If your house wire are different colors than referenced in this manual, stop immediately. A professional electrician is recommended to determine proper wiring.

NOTE: The control system is equipped with 16 code combinations to prevent possible interference from or to other remote units. The frequency switches on your transmitter and receiver have been preset at the factory. Please recheck to make sure the switches on the transmitter and receiver are set to the same positions. Any combination of switch settings will operate the fan as long as the switches on the transmitter and receiver are set to the same positions (**Fig. 9**). Changing the order of switches on each switch block changes the operational frequency.

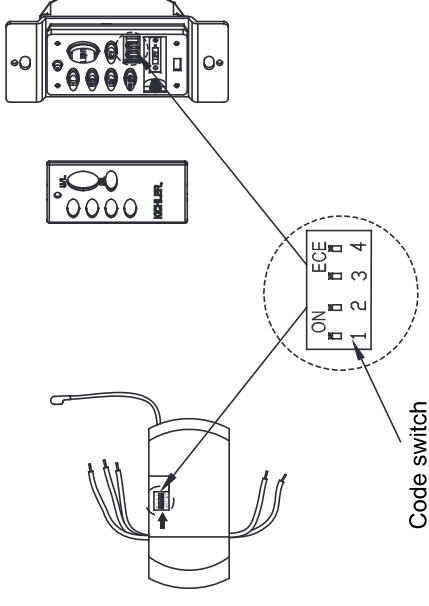


Fig. 9

ELECTRIC CONNECTIONS (CONTINUED)

Step 1. Motor to Receiver Electrical Connections: Connect the black wire from the fan to the black wire marked "TO MOTOR L" on the receiver. Connect the white wire from the fan to the white wire marked "TO MOTOR N" on the receiver. Connect the blue wire from the fan to the blue wire marked "FOR LIGHT" on the receiver. Secure all the wire connections with the plastic wire nuts provided (**Fig. 10**).

Step 2. Receiver to House Supply Wires Electrical Connections: Connect the black (hot) wire from the ceiling to the black wire marked "AC in L" from the receiver. Connect the white (neutral) wire from the ceiling to the white wire marked "AC in N" from the Receiver. Secure the wire connections with the plastic wire nuts provided (**Fig. 10**).

Step 3. If your outlet box has a ground wire (green or bare copper) connect it to the fan ground wires: Secure the wire connection with a plastic nut provided. Place the receiver into the motor housing. After connecting the wires, spread them apart so that the green and white wires are on one side of the outlet box and black and blue wires are on the other side (**Fig. 10**).

NOTE: Carefully tuck the wire connections up into the outlet box.

NOTE: Fan must be installed at a maximum distance of 30 feet from the remote transmitter for optimal signal transmission between the transmitter and the fan's receiving unit.

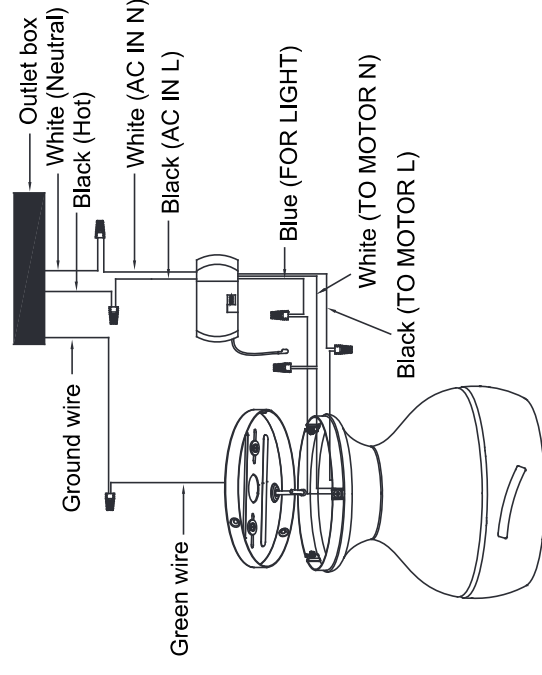


Fig. 10

FINISHING THE INSTALLATION

Step 1. Remove the 3 small screws from the motor assembly for later use. Lift up the motor housing on to the ceiling mounting plate/bracket, aligning the 3 holes from both parts. Secure the motor housing to the motor bracket by using the 3 small screws removed previously (**Fig. 11**).

Step 2. Insert the blade through the slots on the flywheel and attach to the motor hub using the blade screws and blade trim. Make sure the screws securing the blades to the motor hub are tightened and are properly seated (**Fig. 12**).

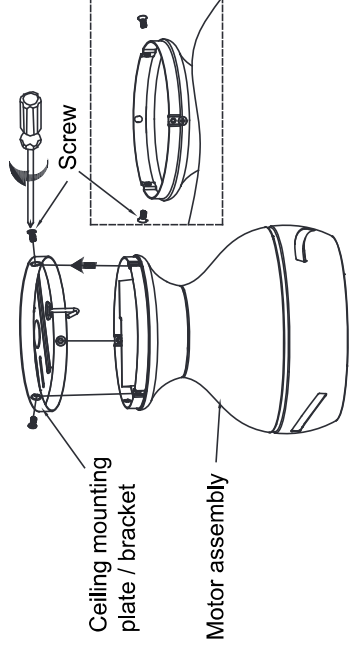


Fig. 11

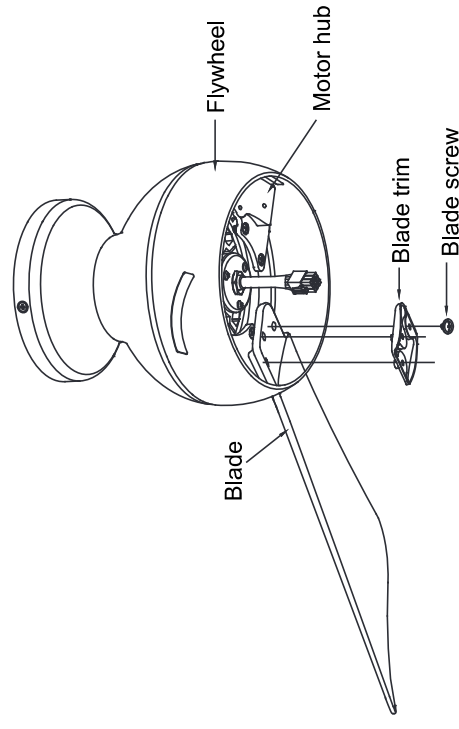


Fig. 12

FINISHING THE INSTALLATION (CONTINUED)

Step 3. Remove one of the three screws in the adapter plate at the bottom of the motor assembly and retain the screw for later use. Slightly loosen the remaining two screws. Place the motor connector through the center hole of the switch housing. Engage the switch housing 9-pin connector with the motor connector. The two connectors have keyholes that must be mated correctly before they can be engaged. Rotate the switch housing key hole slots clockwise to engage both loosened screws. Reinstall the previous removed screw. Secure the switch housing to the adapter plate by tightening the three screws (**Fig. 13**).

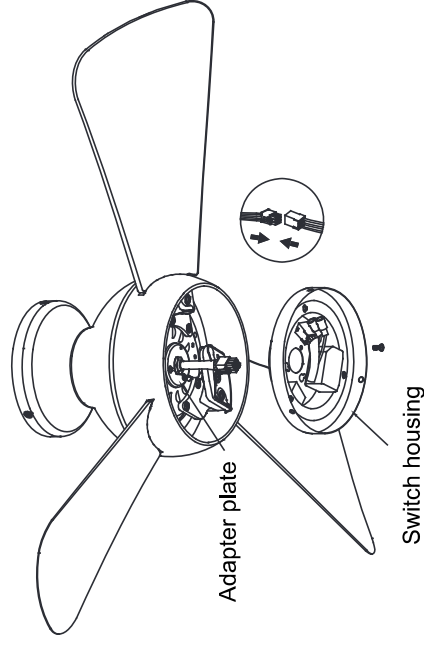


Fig. 13

Step 4. Remove one of the three screws in the switch housing. Slightly loosen the remaining two screws (**Fig. 14**).

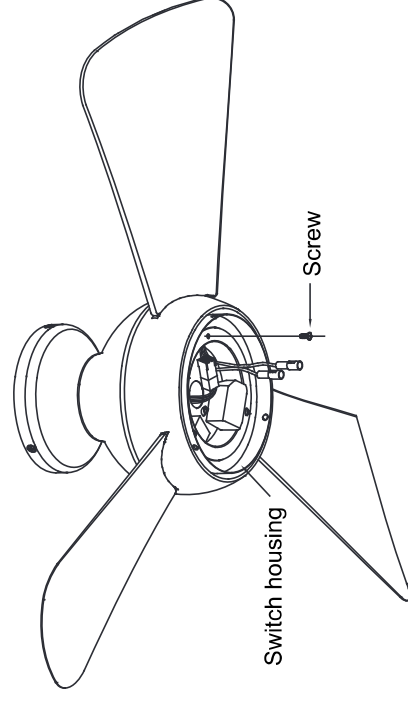


Fig. 14

FINISHING THE INSTALLATION (CONTINUED)

Step 5. If installing the light kit, skip to step 7. Assemble the light kit wire cover to the switch housing using the two key slots. Replace the removed screw and secure all the three screws (**Fig. 15a**).

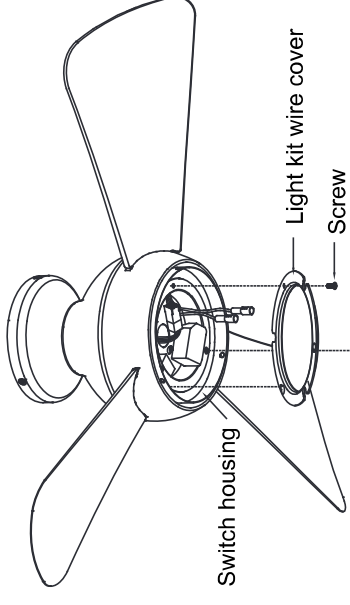


Fig. 15a

Step 6. Assemble the steel cap to the switch housing by twisting in a clockwise direction (**Fig. 15b**).

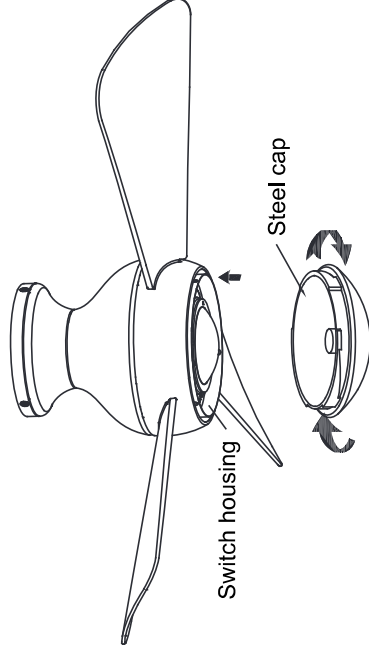


Fig. 15b

FINISHING THE INSTALLATION (CONTINUED)

Step 7. For use with light kit: Connect the 2 single-pin connectors from the switch housing to the 2 single-pin connectors from the LED assembly. Assemble the LED assembly to the switch housing using the two key slots. Replace the third screw removed in step 4 and securely tighten all three screws (**Fig. 16a**)

Step 8. Secure the glass shade to switch housing by twisting in a clockwise direction. Do not over-tighten (**Fig. 16b**).

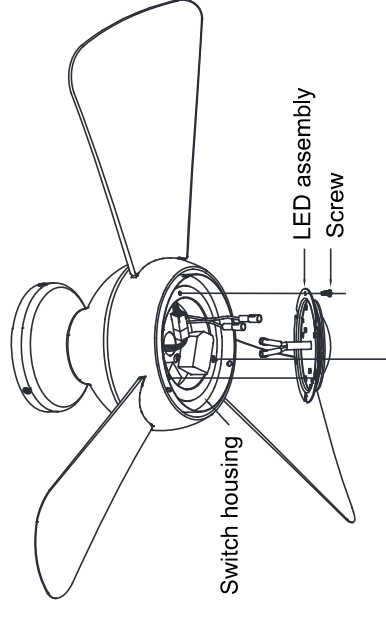


Fig. 16a

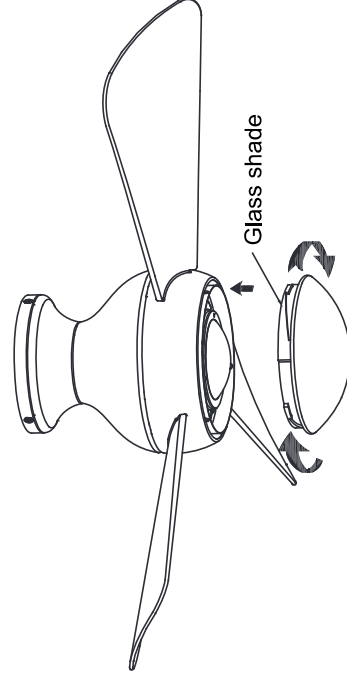


Fig. 16b

INSTALLING THE TRANSMITTER

All wiring must be in accordance with the National Electrical Code and local electrical codes. Electrical installation should be performed by a qualified licensed electrician.

Select a location to install your wall mount control system transmitter. You can replace an existing wall switch, or install the transmitter to a new outlet box.

NOTE: Make sure the electrical power is **TURNED OFF** at the main panel before continuing.

NOTE: SWITCH INSTALLATION MUST COMPLY WITH ALL LOCAL AND NATIONAL ELECTRIC CODE.

Step 1. Remove the existing wall plate and the old switch from the wall outlet box. Wire nut the BLACK leads (hot) together and push back inside the outlet box (**Fig. 17**) or select the desired location with a new wall outlet box.

Step 2. Use the screws provided to secure the wall transmitter to the outlet box (**Fig. 18**).

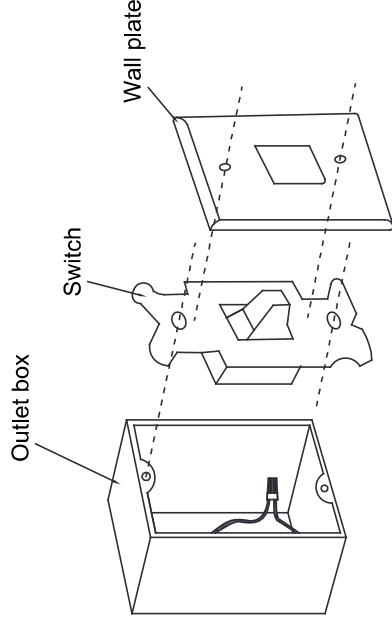


Fig. 17

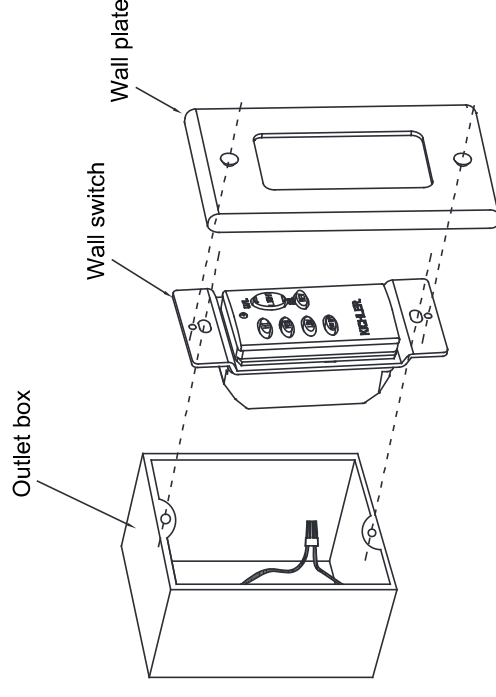


Fig. 18

CONTROL SYSTEM SET-UP

NOTE: Make sure the power is completely disconnected before you begin this procedure.

Read all steps before proceeding. Each step must be followed exactly to properly program the control system.

Step 1. Use a small flat screwdriver at the top or bottom of the switch plate to gently pry apart the switch plate from the wall switch. Install the 12volt battery included with the wall mount control system and make sure it is seated correctly. Replace the switch plate (Fig. 19).

Step 2. Test the transmitter by pressing and releasing ANY button. A RED light should illuminate. If not, check to make sure the battery is inserted and seated correctly (Fig. 19).

NOTE: To prevent damage to the transmitter, remove the battery if not used for long periods of time (months).

Step 3. You can leave the frequency switches at the factory setting.

However, if you are using more than one fan in the same area and want to control them separately, you will need to change the dip switch settings in the remote. Remove the battery and change the dip switch settings, assuring that they are different from the other fans. Reinstall the battery and switch plate on the control (Fig. 20).

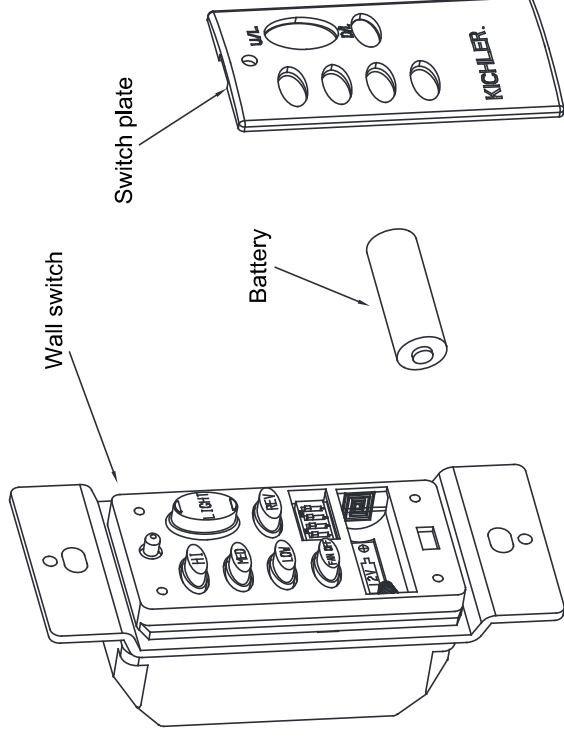


Fig. 19

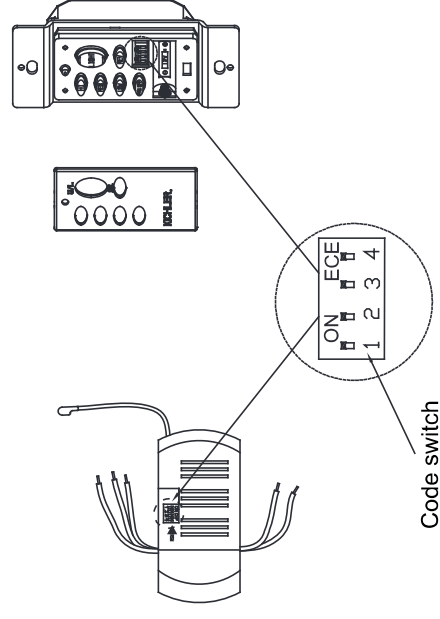


Fig. 20

OPERATING INSTRUCTIONS

Restore power to ceiling fan and test for proper operation (Fig. 21).

1. Fan Control:

To start the fan, press the selected speed button to run the fan at the desired speed:

“HI” = High

“MED” = Medium

“LOW” = Low

To turn off the fan, press the “FAN OFF” button.

2. Light On/Off – press and release “LIGHT” button.

3. Light dimmer – continuous pressure on the “LIGHT” button dims light in a continuous cycle from light to dark or dark to light.

4. “REV” controls fan direction, forward or reverse.

Speed settings for warm or cool weather depend on factors such as the room size, ceiling height, number of fans and so on.

Warm Weather Operation:

Forward (counter-clockwise) A downward airflow creates a cooling effect. This allows you to set your air conditioner on a warmer setting without affecting your general comfort.

Cool Weather Operation:

Reverse (clockwise) An upward airflow moves warm area off of ceiling areas. This allows you to set your heating unit on a cooler setting without affecting your general comfort.

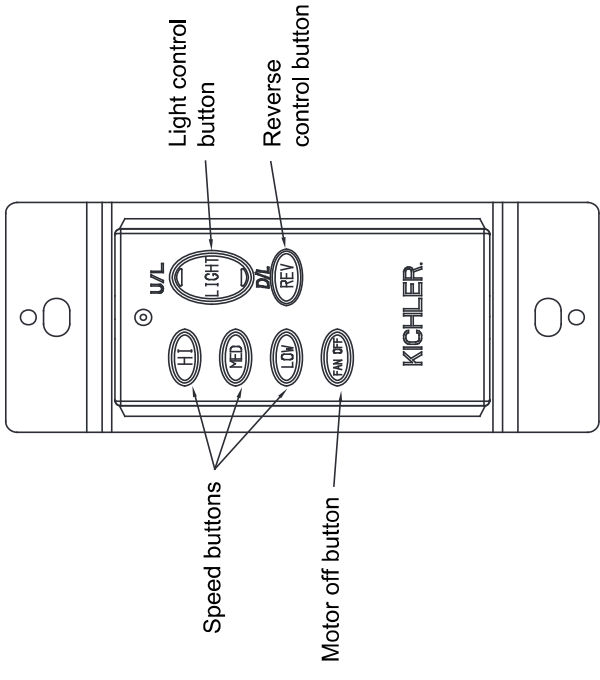


Fig. 21

TROUBLESHOOTING

| Problem | Solution |
|------------------------------------|--|
| Fan will not start. | <ol style="list-style-type: none">1. Check circuit fuses or breakers.2. Check all electrical connections to ensure proper contact. CAUTION: Make sure the main power is OFF when checking any electrical connection3. Make sure transmitter batteries are installed properly, and ensure the batteries have a good charge. |
| Fan sounds noisy. | <ol style="list-style-type: none">1. Make sure all motor housing screws are snug.2. Make sure the screws that attach the fan blade brackets to the motor are tight.3. Make sure wire nut connections are not rubbing against each other or the interior wall of the switch housing. CAUTION: Make sure main power is off.4. Allow a 24-hour "breaking-in" period. Most noise associated with a new fan disappears during this time.5. If using an optional light kit, make sure the screws securing the glassware are tight. Make sure the light bulbs are not touching any other component.6. Do not connect this fan to a wall mounted variable speed control(s). They are not compatible with ceiling fan motors or remote controls.7. Make sure the upper canopy is a short distance from the ceiling. It should not touch the ceiling. |
| Fan wobble. | <ol style="list-style-type: none">1. Check that all blade and blade arm screws are secure.2. Most fan wobbling problems are caused when blade levels are unequal. Check this level by selecting a point on the ceiling above the tip of one of the blades. Measure this distance. Rotate the fan until the next blade is positioned for measurement. Repeat for each blade. The distance deviation should be equal within 1/8".3. If the blade wobble is noticeable, interchanging two adjacent (side by side) blades can redistribute the weight and possibly result in smoother operation. |
| Remote control malfunction. | <ol style="list-style-type: none">1. Ceiling Fans with remote control systems CAN NOT be operated in conjunction with any other control system EXCEPT a basic On/Off wall switch, if desired. |

FCC INFORMATION

This device complies with part 15 of the FCC Rules. Operation is subject to the following two conditions:

1) This device may not cause harmful interference, and

2) This device must accept any interference received, including interference that may cause undesired operation.

Note: This equipment has been tested and found to comply with the limits for a Class B digital device, pursuant to part 15 of the FCC Rules. These limits are designed to provide reasonable protection against harmful interference in a residential installation. This equipment generates, uses and can radiate radio frequency energy and, if not installed and used in accordance with the instructions, may cause harmful interference to radio communications. However, there is no guarantee that interference will not occur in a particular installation. If this equipment does cause harmful interference to radio or television reception, which can be determined by turning the equipment off and on, the user is encouraged to try to correct the interference by one or more of the following measures:

- Reorient or relocate the receiving antenna.
- Increase the separation between the equipment and receiver.
- Connect the equipment into an outlet on a circuit different from that to which the receiver is connected.
- Consult the dealer or an experienced radio/TV technician for help.

KICHLER®

www.kichler.com

KICHLER® LIGHTING

**7711 EAST PLEASANT VALLEY ROAD P.O. BOX 318010
CLEVELAND, OHIO 44131-8010**

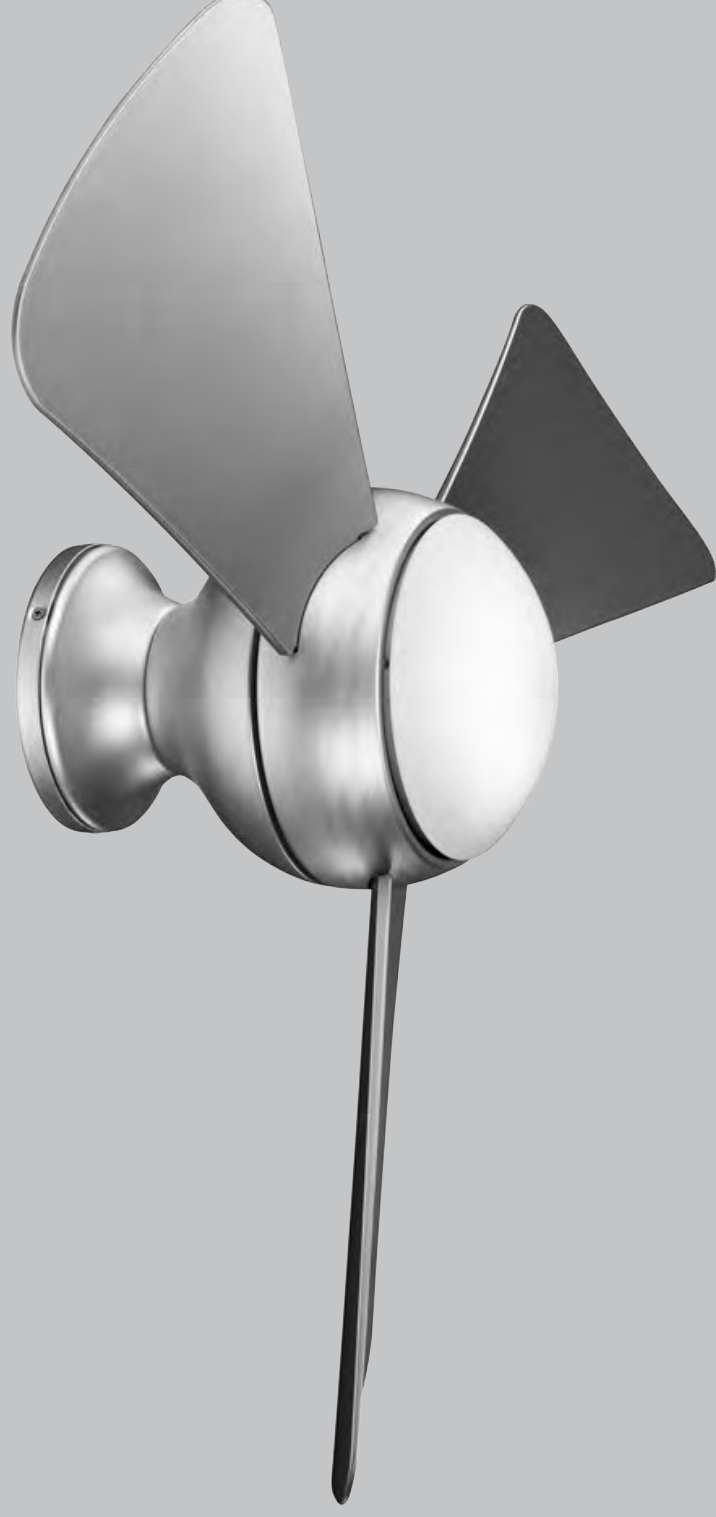
CUSTOMER SERVICE 866.558.5706

8:30 AM TO 5:00 PM EST, MONDAY - FRIDAY

KICHLER®

VENTILATEUR SOLA

Le produit peut différer légèrement des illustrations.



MANUEL D'INSTRUCTIONS

TABLE DES MATIÈRES

| | | | |
|--|---|---|----|
| CONSIGNES DE SÉCURITÉ..... | 4 | FINITION DE L'INSTALLATION..... | 11 |
| OUTILLAGE ET MATERIAUX REQUIS..... | 5 | INSTALLATION DU TRANSMETTEUR..... | 15 |
| CONTENU DE L'EMBALLAGE..... | 5 | CONFIGURATION DU SYSTÈME DE COMMANDE... | 16 |
| OPTIONS DE MONTAGE..... | 6 | INSTRUCTIONS D'UTILISATION..... | 17 |
| SUSPENDRE LE VENTILATEUR..... | 7 | DÉPANNAGE..... | 18 |
| INSTALLATION DU SUPPORT DE SÉCURITÉ..... | 8 | FCC INFORMATION..... | 19 |
| CONNEXIONS ÉLECTRIQUES..... | 9 | | |

CONSIGNES DE SÉCURITÉ

1. Pour réduire le risque d'électrocution, assurez-vous que l'électricité a été coupée au niveau du disjoncteur ou de la boîte à fusibles avant de commencer.
2. Le câblage doit être installé conformément au code national d'électricité américain (NEC) et aux codes locaux. Les travaux d'électricité doivent être exécutés par un électricien agréé qualifié.
3. **AVERTISSEMENT** : Pour réduire le risque de choc électrique, ne pas utiliser ce ventilateur sans commande à distance transistorisée. N'utiliser que la commande fournie avec ce ventilateur.
4. **AVERTISSEMENT** : Pour réduire le risque d'incendie, de choc électrique, ou de blessure, installer sur un boîtier électrique homologué par UL/CUL et marqué « Acceptable for fan support of 15,9 kg (35 lbs.) or less », ce qui indique qu'il convient pour supporter un ventilateur de 15,9 kg (35 lb), et utiliser les vis fournies avec le boîtier électrique et/ou le support relié directement à la structure du bâtiment. La plupart des boîtiers électriques utilisés communément pour le support de luminaires ne conviennent pas pour le support de ventilateurs et peuvent devoir être remplacés; en cas de doutes, consulter un électricien qualifié.

AVERTISSEMENT

POUR RÉDUIRE LES RISQUES D'INCENDIE, CHOCS ÉLECTRIQUES OU BLESSURES, INSTALLER LE VENTILATEUR SUR LA BOÎTE À PRISES MARQUÉE « CAPABLE DE SUPPORTER UN VENTILATEUR »

5. Le boîtier électrique et la structure de support doivent être montés solidement et capables de supporter de manière fiable au moins 15,9 kg (35 lb). N'utiliser que des boîtiers homologués par UL/CUL et marqués « FOR FAN SUPPORT », ce qui indique qu'ils conviennent pour supporter un ventilateur de 15,9 kg (35 lb).

6. Le ventilateur doit être installé à une distance de 2,15 m minimum du bord de fuite des pales par rapport au sol.
7. Pour renverser le sens de rotation de ce ventilateur, presser le bouton « Reverse » pendant que le ventilateur fonctionne. Quelques secondes plus tard, le ventilateur ralentira jusqu'à l'arrêt et renversera ensuite le sens de rotation.
8. Éviter de placer des objets dans la trajectoire des pales.
9. Pour éviter des blessures ou des dommages au ventilateur et autres objets, prendre toutes les précautions nécessaires lors de travaux effectués près du ventilateur ou lors du nettoyage du ventilateur.
10. Ne pas utiliser d'eau ni de détergents pour nettoyer le ventilateur ou les pales du ventilateur. Utiliser un chiffon à poussière sec ou légèrement imbibé pour effectuer la majeure partie du nettoyage.
11. Après avoir effectué les connexions électriques, les conducteurs épissés doivent être tournés vers le haut et soigneusement rentrés dans la boîte à prises. Les fils doivent être séparés du fil de terre et du fil blanc (commun) d'un côté avec le fil noir (charge) de l'autre côté de la boîte à prises.
12. Les schémas électriques sont indiqués à titre de référence uniquement. Les kits d'éclairage qui ne sont pas emballés avec le ventilateur doivent être homologués et marqués compatible pour une utilisation avec le modèle de ventilateur à installer. Les commutateurs doivent être pour une utilisation d'ordre général. Reportez-vous aux instructions fournies avec les kits d'éclairage et les interrupteurs pour garantir un assemblage correct.

AVERTISSEMENT

POUR RÉDUIRE LE RISQUE DE BLESSURES, NE PAS PLIER LES SUPPORTS DE PALES (APPELÉS ÉGALEMENT BRIDES) LORS DU MONTAGE OU APRÈS L'INSTALLATION NE PAS PLACER D'OBJETS DANS LA TRAJECTOIRE DES PALES.

OUTILLAGE ET MATERIAUX REQUIS

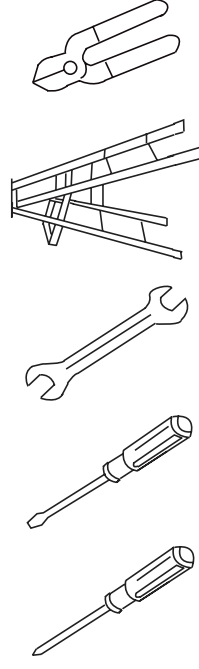
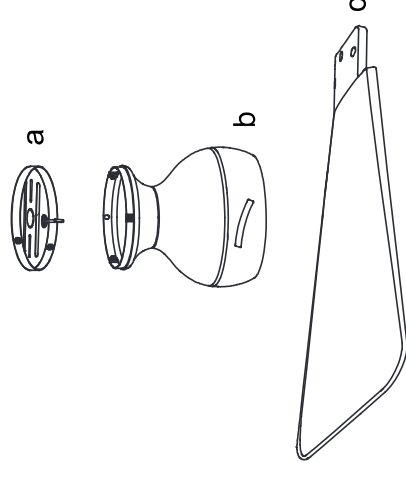
Tournevis Philips

Tournevis standard

Clé de 11 mm

Marche-pieds

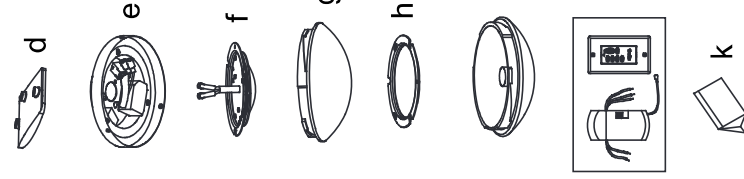
Pincettes coupantes



CONTENU DE L'EMBALLAGE

Déballer votre ventilateur et vérifiez le contenu. Vous devriez disposer des éléments suivants :

- a. Support de montage au plafond
- b. Groupe moteur ventilateur
- c. Pales de ventilateur (3)
- d. Garniture de lame de ventilateur (3)
- e. Boîtier de commutateur
- f. Ensemble DEL
- g. Cache de verre
- h. Cache-fils du luminaire
- i. Capuchon en acier
- j. Système de commande mural
- k. Contenu du sac de pièces
 - 1) Matériel pour câble de sécurité : vis à bois (1), rondelle à ressort (1), rondelle plate (1)
 - 2) Matériel de montage des pales : vis (9)
 - 3) Matériel de montage : serre-fils (3)



OPTIONS DE MONTAGE

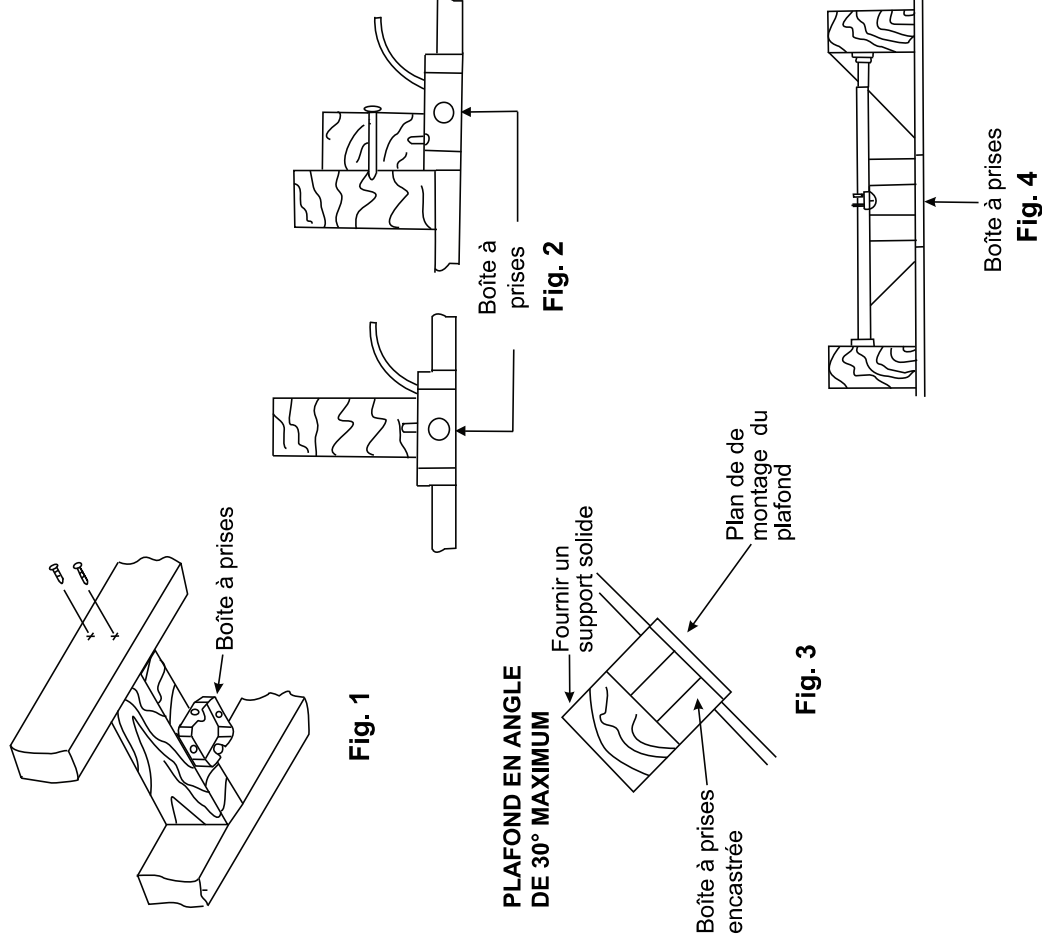
S'il n'y a aucun boîtier de montage homologué ETL, lire alors les directives qui suivent. Couper le courant en retirant les fusibles ou en déclenchant le disjoncteur.

Fixer la boîte à prises directement sur la structure du bâtiment. Utiliser des attaches et des matériaux de construction appropriés. La boîte à prises et son support doivent être en mesure de soutenir le poids du ventilateur en mouvement (au moins 22 kg). Ne pas utiliser de boîtes à prises en plastique.

Les figures 1, 2 et 3 sont des exemples de différentes façons de monter boîte à prises.

REMARQUE : Si vous installez le ventilateur de plafond sur un plafond voûté, vous pouvez avoir besoin d'une tige de suspension plus longue pour maintenir un dégagement approprié entre la pointe de la pale et le plafond. Il est recommandé de laisser un espace de 30 cm minimum pour un fonctionnement optimal.

REMARQUE : Selon l'emplacement sélectionné pour l'installation, il peut s'avérer nécessaire d'acheter et d'installer un étrier à solive pour soutenir la boîte à prises. S'assurer que l'étrier à solive a été conçu pour une utilisation avec des ventilateurs de plafond. (Fig. 4)



SUSPENDRE LE VENTILATEUR

VOUS SOUVENIR de couper l'alimentation avant de commencer l'installation. C'est nécessaire pour votre sécurité et aussi pour la programmation correcte de votre système de commande.

Pour installer correctement votre ventilateur de plafond, suivre les directives ci-après.

Étape 1. Acheminer les fils d'alimentation 120 Volt à partir du boîtier électrique du plafond à travers le centre de l'étrier de montage. Fixer solidement la plaque/support de montage au plafond au boîtier du plafond tel qu'illustré (**Fig. 5**).

Étape 2. Accrocher le moteur à la plaque/support de montage au plafond tel qu'illustré. Vous pouvez maintenant procéder au câblage électrique de votre ventilateur (**Fig. 6**).

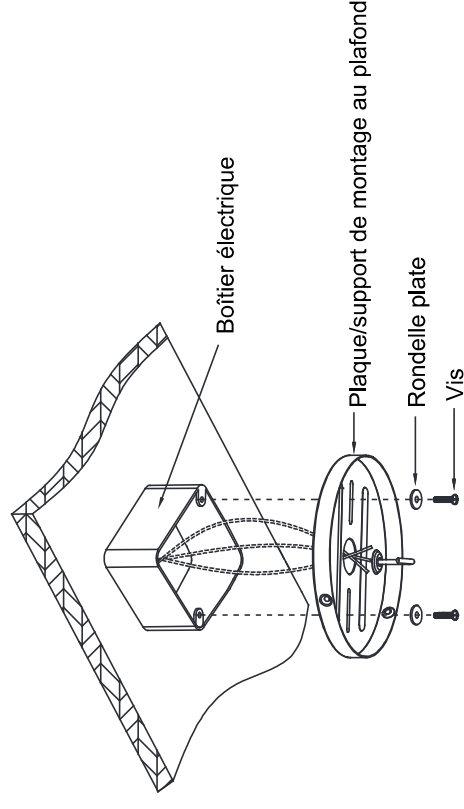


Fig. 5

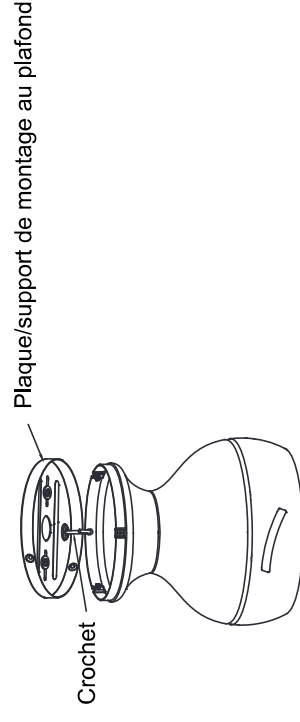


Fig. 6

INSTALLATION DU SUPPORT DE SÉCURITÉ

SÉCURITÉ(Requis UNIQUEMENT dans le cas d'une installation canadienne)

Un câble de support de sécurité est fourni pour contribuer à prévenir la chute du ventilateur de plafond. Installez-le comme suit :

Étape 1. Visser une vis à bois et des rondelles sur le côté de l'entretoise qui supporte le boîtier électrique. Laisser 3 mm (1/8") d'espace entre l'entretoise et les rondelles (**Fig. 7**).

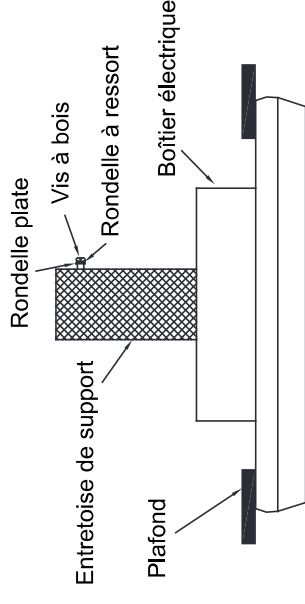


Fig. 7

Étape 2. Insérer le câble de support de sécurité à travers l'étrier de montage et un des trous dans le boîtier électrique dans le plafond. Régler la longueur du câble de support de sécurité pour qu'il atteigne la vis et les rondelles en tirant le câble supplémentaire à travers le serre-câble jusqu'à ce que sa longueur totale soit correcte. Repasser l'extrémité du câble à travers le serre-câble, pour former une boucle à l'extrémité du câble. Serrer le serre-câble fermement. Maintenant, installer la boucle à l'extrémité du câble de support de sécurité autour de la vis à bois et sous la rondelle. Visser la vis à bois fermement (**Fig. 8**)

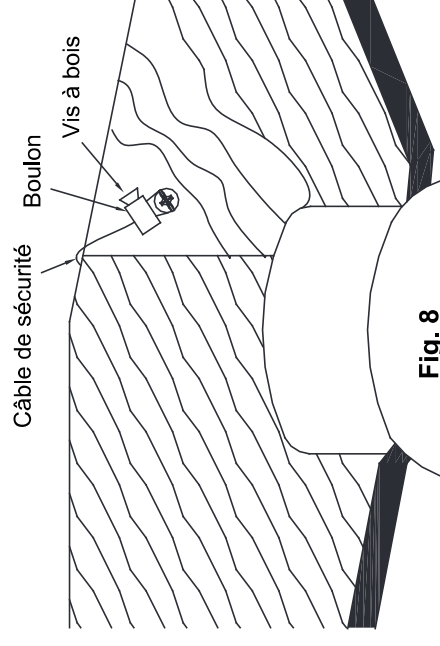


Fig. 8

REMARQUE : Bien que le câble de sécurité ne soit exigé que pour les installations au Canada seulement, c'est une bonne idée de l'installer dans toutes les installations.

CONNEXIONS ÉLECTRIQUES

AVERTISSEMENT : Pour éviter les chocs électriques possibles, vous assurer de fermer l'alimentation électrique au panneau électrique de disjoncteurs central avant de procéder aux connexions.

Suivre les étapes plus bas pour connecter le ventilateur au câblage électrique du bâtiment. Utiliser les écrous pour connexion de fils fournis avec le ventilateur. Sécuriser les connecteurs avec du ruban électrique. Vous assurer qu'aucun fil ou connexion n'est lâche.

AVERTISSEMENT : Si les fils du bâtiment sont de couleurs différentes de celles décrites dans ce manuel, arrêter immédiatement. Il est recommandé de demander à un électricien professionnel de déterminer le câblage correct.

REMARQUE : Le système de commande CoolTouch comporte 16 codes différents pour prévenir les interférences possibles avec/provenant d'autres commandes à distance. Les interrupteurs de fréquence sur votre transmetteur et votre récepteur ont été réglés à l'usine. Vous assurer que les interrupteurs sur le transmetteur et le récepteur sont réglés aux mêmes positions. Toutes les combinaisons de positions d'interrupteur fonctionnent, aussi longtemps que les interrupteurs correspondants du transmetteur et du récepteur sont à la même position (**Fig. 9**). Changer l'ordre des interrupteurs sur chaque bloc d'interrupteurs modifie la fréquence de fonctionnement.

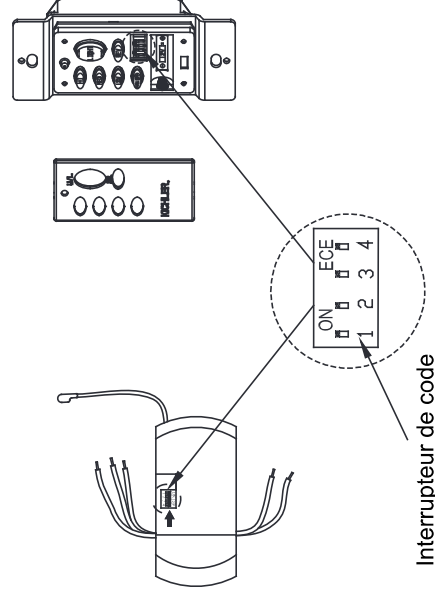


Fig. 9

CONNEXIONS ÉLECTRIQUES (SUITE)

Étape 1. Connexions électriques entre le moteur et le récepteur : Connectez le fil NOIR du ventilateur au fil noir marqué "TO MOTOR L" du récepteur. Connectez le fil blanc du ventilateur au fil blanc marqué "TO MOTOR N" du récepteur. Connectez le fil bleu du ventilateur au fil bleu marqué pour l'éclairage ("FOR LIGHT") du récepteur. Sécurisez toutes les connexions de fils avec les serre-fils en plastique (fournis) (**Fig. 10**).

Étape 2. Connexions entre récepteur et fils d'alimentation du domicile : Connectez le fil noir (sous tension) du plafond au fil noir marqué "AC in L" du récepteur. Connectez le fil blanc (neutre) du plafond au fil blanc marqué "AC IN N" du récepteur. Sécurisez les connexions de fils avec les connecteurs en plastique (fournis) (**Fig. 10**).

Étape 3. Si la boîte à prises a un fil de masse (vert ou cuivre nu), le connecter aux fils de mise à la terre du ventilateur. Sécurisez la connexion du fil avec l'écrou en plastique (fourni). Placer le récepteur dans le compartiment moteur. Après avoir connecté les fils, séparez-les de sorte que les fils verts et blancs se trouvent sur un côté de la boîte à prises et les fils noirs et bleus de l'autre côté (**Fig. 10**).

REMARQUE : Introduisez prudemment les raccordements des fils dans la boîte à prises.

REMARQUE : Le ventilateur doit être installé à une distance maximale de 9 m de l'émetteur mural pour garantir une transmission de signal optimale entre l'unité émettrice et l'unité réceptrice du ventilateur.

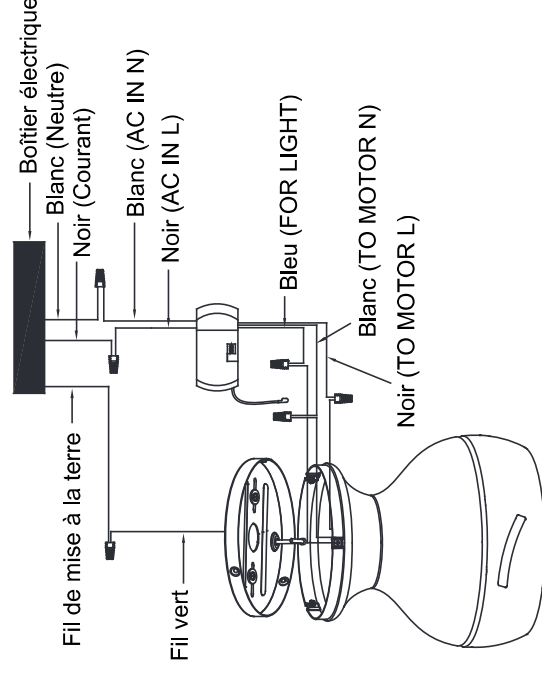


Fig. 10

FINITION DE L'INSTALLATION

Étape 1. Retirer les 3 petites vis du moteur et les conserver pour usage ultérieur. Soulever le moteur sur la plaque/support de montage au plafond, en alignant leurs 3 trous. Fixer le moteur à la plaque/support de montage au plafond en utilisant les 3 petites vis retirées auparavant. (**Fig. 11**).

Étape 2. Insérer les lames dans les fentes sur le volant d'inertie et les fixer sur le moyeu du moteur en utilisant les vis de lame et les garnitures de lame. Vous assurer que les vis fixant les lames au moyeu du moteur sont vissées d'aplomb et serrées (**Fig. 12**).

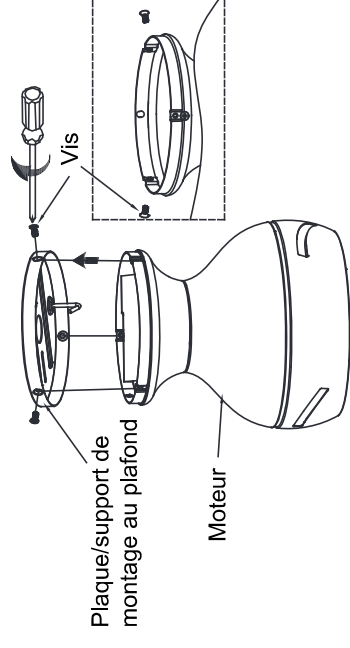


Fig. 11

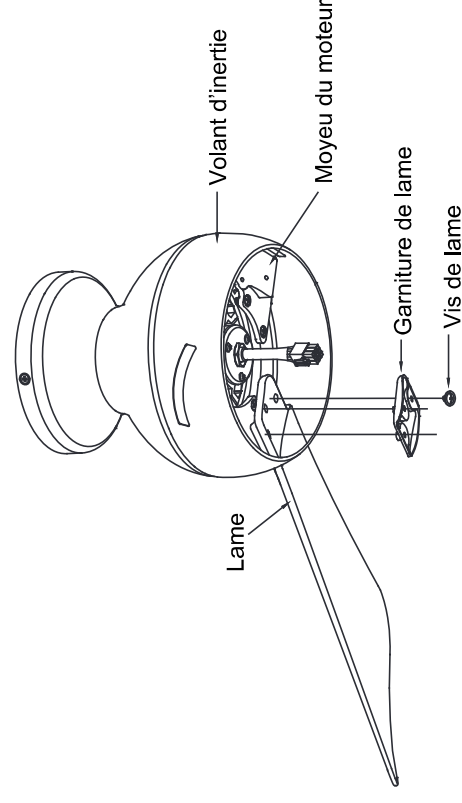


Fig. 12

FINITION DE L'INSTALLATION (SUITE)

Étape 3. Retirer une des 3 vis de la plaque d'adaptateur de la partie inférieure du moteur et la conserver pour usage ultérieur. Dévisser légèrement les deux vis qui restent. Placer le connecteur du moteur à travers le trou central du boîtier de l'interrupteur. Mettre en prise le connecteur 9 broches de l'interrupteur et le connecteur du moteur. Les deux connecteurs comportent des orifices en trou de serrure qui doivent être alignés correctement avant de mettre en prise. Faire tourner les orifices en trou de serrure du boîtier d'interrupteur dans le sens des aiguilles d'une montre pour mettre en prise les vis desserrées. Installer la vis retirée auparavant. Fixer solidement le boîtier d'interrupteur à la plaque d'adaptateur en serrant les 3 vis (**Fig. 13**).

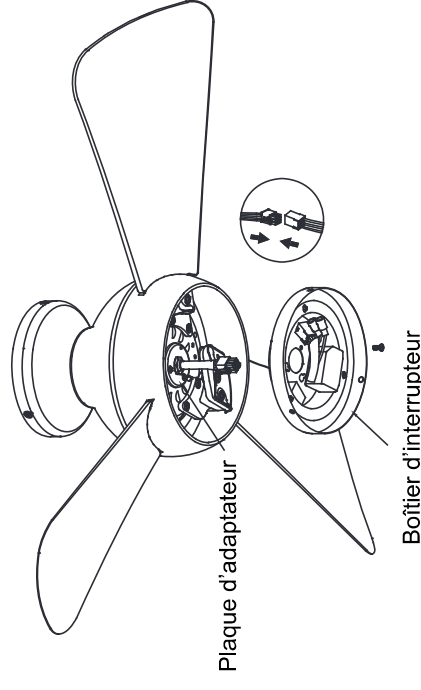


Fig. 13

Étape 4. Retirer une des trois vis dans le boîtier d'interrupteur. Desserrer légèrement les deux vis restantes (**Fig. 14**).

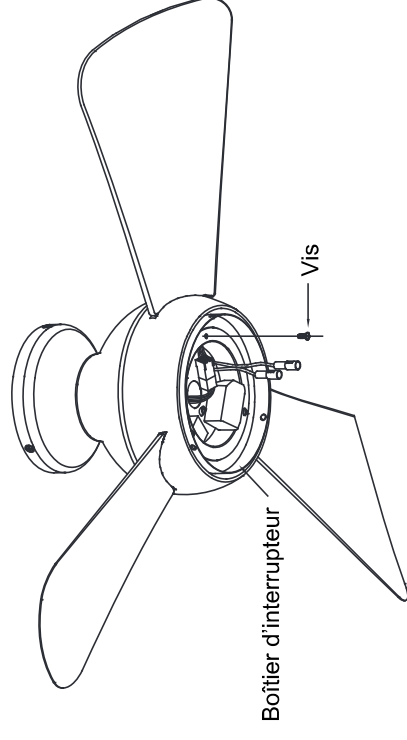


Fig. 14

FINITION DE L'INSTALLATION (SUITE)

Étape 5. Si un ensemble d'éclairage doit être installé, passer à l'étape 7. Assembler le cache-fils de l'ensemble d'éclairage sur le boîtier d'interrupteur en utilisant les deux orifices en forme de clé. Replacer la vis retirée et serrer les trois vis (**Fig. 15a**).

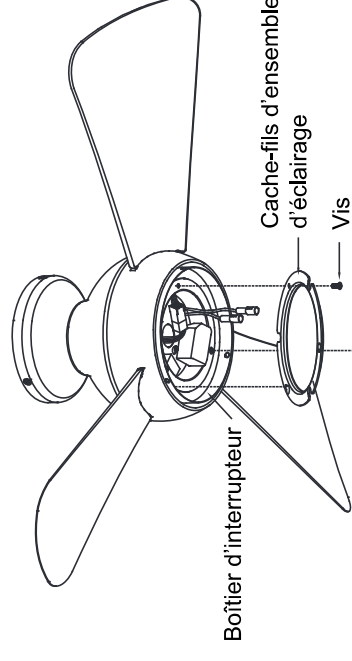


Fig. 15a

Étape 6. Fixer le capuchon en acier sur le boîtier d'interrupteur en le tournant dans le sens des aiguilles d'une montre (**Fig. 15b**).

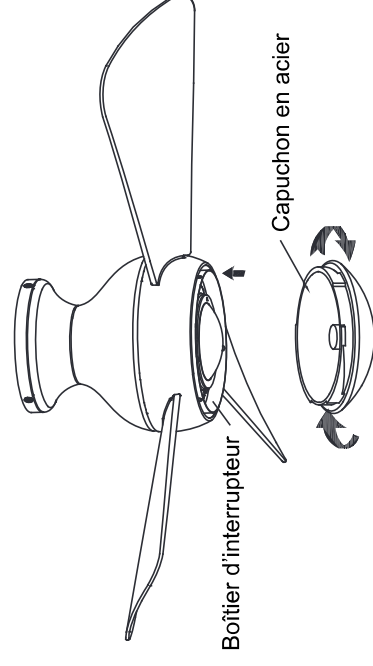


Fig. 15b

FINITION DE L'INSTALLATION (SUITE)

Étape 7. Pour utilisation avec l'ensemble d'éclairage : Connecter les deux connecteurs à 2 broches simples du boîtier d'interrupteur aux deux connecteurs à 2 broches simple de l'ensemble DEL. Fixer l'ensemble DEL au boîtier d'interrupteur en utilisant les deux orifices en forme de clé. Replacer la troisième vis retirée à l'étape 4 et serrer fermement les trois vis (**Fig. 16a**)

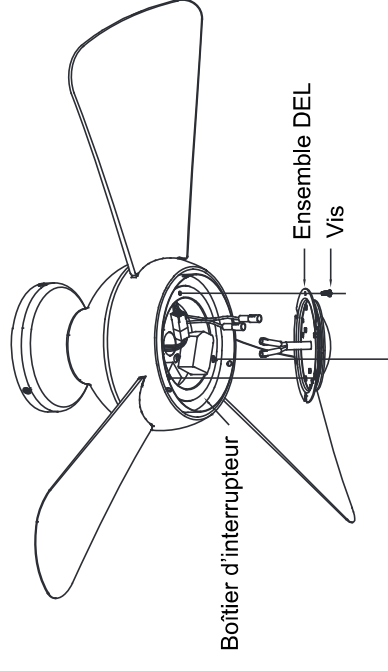


Fig. 16a

Étape 8. Fixer le cache de verre au boîtier d'interrupteur en le tournant dans le sens des aiguilles d'une montre. Ne pas trop serrer (**Fig. 16b**).

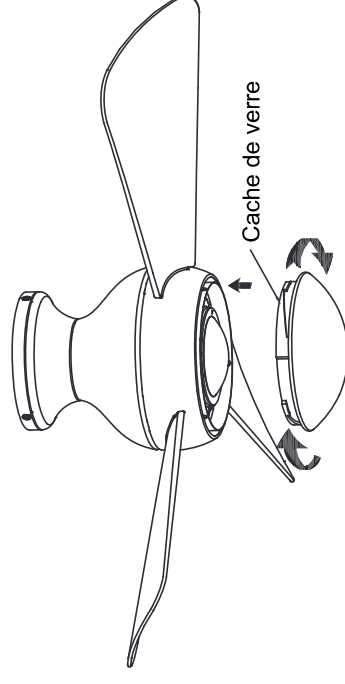


Fig. 16b

INSTALLATION DU TRANSMETTEUR

Tout le câblage doit être fait conformément aux codes électriques nationaux et locaux. L'installation électrique devrait être réalisée par un électricien qualifié détenant un permis.

Choisir un emplacement pour l'installation du transmetteur du système de commande mural. Vous pouvez remplacer un interrupteur mural existant, ou installer le transmetteur dans un nouveau boîtier.

REMARQUE : Vous assurer que l'alimentation électrique est **COUPÉE** au panneau de disjonction principal avant de poursuivre.

REMARQUE : L'INSTALLATION DE L'INTERRUPTEUR DOIT SE FAIRE CONFORMÉMENT AUX CODES ÉLECTRIQUES NATIONAUX ET LOCAUX.

Étape 1. Retirer la plaque murale et l'interrupteur existants du boîtier électrique mural. Connecter les fils NOIR (Courant) ensemble à l'aide d'un écrou à fils et les replacer dans le boîtier électrique (**Fig. 17**) ou choisissez un nouvel emplacement avec un nouveau boîtier électrique mural.

Étape 2. Utiliser les vis fournies pour fixer le transmetteur mural au boîtier électrique (**Fig. 18**).

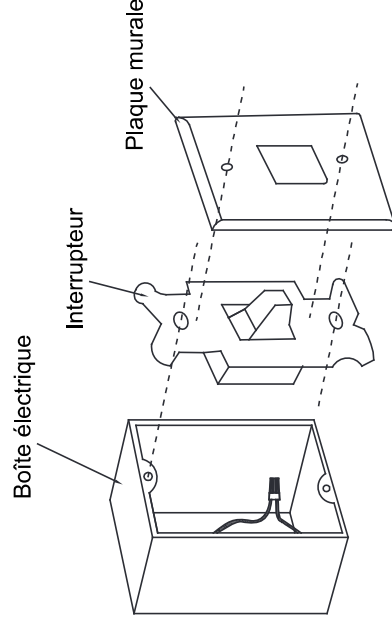


Fig. 17

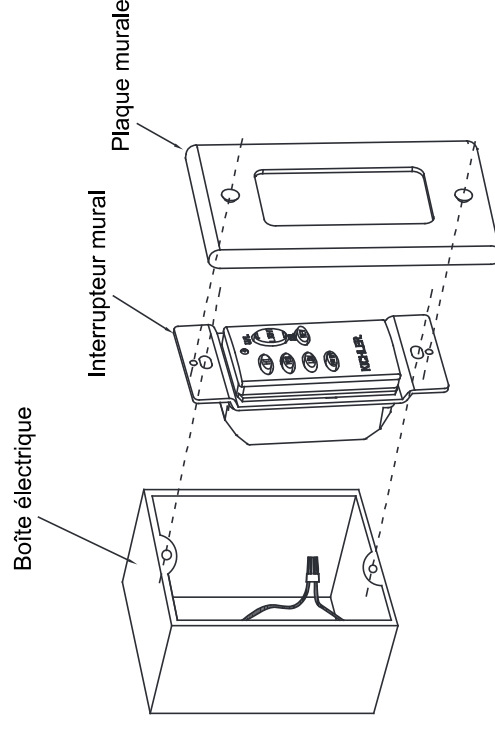


Fig. 18

CONFIGURATION DU SYSTÈME DE COMMANDE

REMARQUE : Vous assurer que l'alimentation est bien coupée avant de commencer cette procédure.

Lire toutes les étapes avant de poursuivre. Chaque étape doit être complétée avec exactitude pour programmer correctement le système de commande.

Étape 1. Utiliser un petit tournevis plat, sur la partie supérieure ou inférieure de la plaque d'interrupteur, pour l'arracher délicatement de l'interrupteur mural. Installer la batterie 12 volt fournie avec le système de commande mural et vous assurer qu'elle est placée d'aplomb. Replacer la plaque de l'interrupteur (Fig. 19).

Étape 2. Mettre le transmetteur à l'essai en pressant puis relâchant N'IMPORTE QUEL bouton. Un voyant ROUGE devrait s'allumer. Si non, vérifier pour vous assurer que la batterie est insérée et placée correctement (Fig. 19).

REMARQUE : Pour prévenir les dommages au transmetteur, retirer la batterie si l'appareil ne sera pas utilisé pour une longue période de temps (mois).

Étape 3. Vous pouvez laisser les interrupteurs de fréquence tel que réglés à l'usine.

Toutefois, si vous utilisez plus d'un ventilateur dans le même espace, et vous désirez les commander séparément, vous devrez changer le réglage des interrupteurs DIP dans la commande à distance. Retirer la batterie et changez les réglages des interrupteurs DIP, en vous assurant qu'ils sont différents de ceux des autres ventilateurs. Réinstaller la batterie et la plaque d'interrupteur sur la commande (Fig. 20).

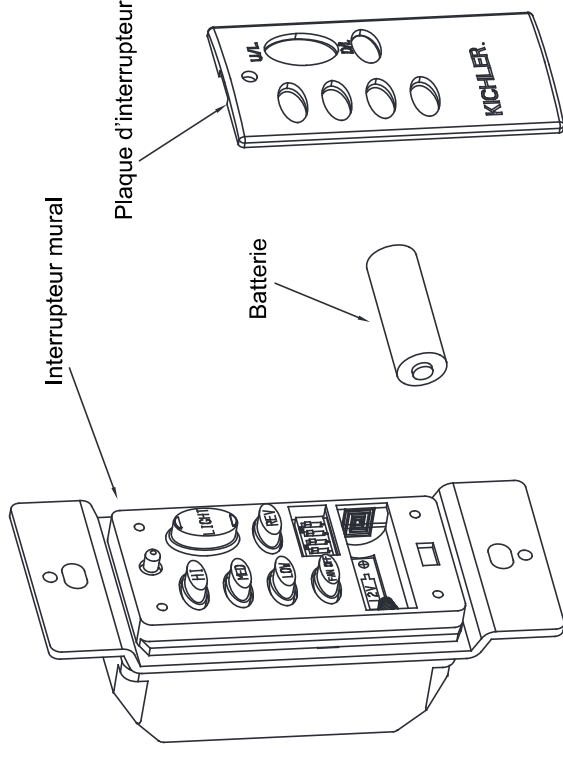


Fig. 19

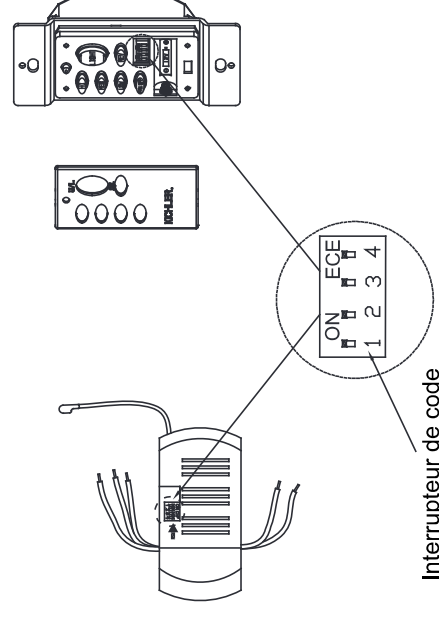


Fig. 20

INSTRUCTIONS D'UTILISATION

Rétablir l'alimentation électrique du ventilateur de plafond et vérifier son fonctionnement (Fig. 21).

1. Commande du ventilateur :

Pour démarrer le ventilateur, presser sur le bouton de sélection de vitesse choisi pour faire fonctionner le ventilateur à la vitesse désirée :

« HI » = Haute

« MED » = Moyenne

« LOW » = Basse

Pour fermer le ventilateur, presser sur le bouton « FAN OFF ».

2. Ouvrir/fermer l'éclairage – presser puis relâcher le bouton « LIGHT ».

3. Gradateur d'éclairage – une pression continue sur le bouton « LIGHT » règle en continu l'intensité lumineuse selon un cycle fermé entre clair à sombre ou sombre à clair.

4. « REV » commande le sens de rotation du ventilateur, dans le sens contraire des aiguilles d'une montre ou inversé (dans le sens des aiguilles d'une montre).

Le réglage de vitesse pour température froide ou chaude dépend de facteurs comme la taille de la pièce, la hauteur du plafond, le nombre de ventilateurs et ainsi de suite.

Fonctionnement sous température chaude :

« FORWARD » (dans le sens contraire des aiguilles d'une montre) Un flux d'air descendant produit un effet rafraîchissant. Ceci vous permet de régler votre climatisation pour une température cible plus chaude sans compromettre votre confort dans l'ensemble.

Fonctionnement sous température froide :

« REVERSE » (dans le sens des aiguilles d'une montre) Un flux d'air ascendant déplace l'air chaud du plafond. Ceci vous permet de régler votre système de chauffage pour une température cible plus froide sans compromettre votre confort dans l'ensemble.

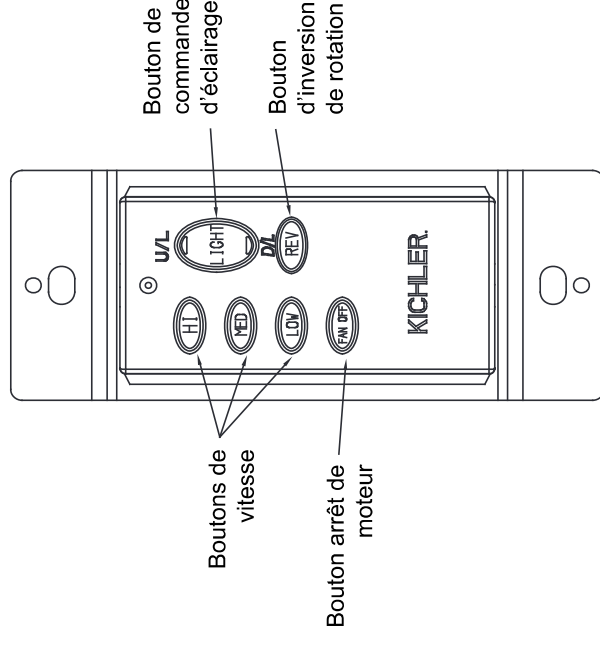


Fig. 21

DÉPANNAGE

Problème

Impossible de mettre le ventilateur en marche.

Solution

1. Vérifiez les fusibles ou disjoncteurs de circuit.
 2. Vérifiez tous les raccordements électriques pour garantir un bon contact. **MISES EN GARDE** : Assurez-vous que l'alimentation principale est COUPÉE lors de la vérification des raccordements électriques.
 3. Assurez-vous que les piles de l'émetteur sont correctement installées et chargées.
- Le ventilateur est bruyant.**
1. Assurez-vous que toutes les vis du boîtier du moteur sont bien ajustées.
 2. Assurez-vous que les vis qui fixent les supports des pales du ventilateur au moteur sont bien serrées.
 3. Assurez-vous que les connexions des raccords filaires ne frottent pas les uns contre les autres ou contre la paroi intérieure du boîtier du commutateur. **MISES EN GARDE** : Assurez-vous que l'alimentation est coupée.
 4. Accordez une période de 24 heures pour le rodage. La majorité des bruits associés à un nouveau ventilateur disparaissent pendant la période de rodage.
 5. Si vous utilisez un kit d'éclairage en option, assurez-vous que les vis de fixation de pièces en verre sont bien serrées. Assurez-vous que les ampoules ne touchent aucun autre élément.
 6. Ne pas connecter ce ventilateur à une commande murale pour vitesse variable. Les commandes murales pour vitesse variable ne sont pas compatibles avec les moteurs de ventilateur de plafond et les commandes à distance.
 7. Assurez-vous que la monture supérieure est à une courte distance du plafond. Il ne doit pas toucher le plafond.

Le ventilateur vacille.

1. Vérifiez que toutes les vis des pales et des bras de pales sont sécurisées.
2. La plupart des problèmes d'oscillation du ventilateur surviennent lorsque les niveaux des pales sont inégaux. Vérifiez ce niveau en sélectionnant un point sur le plafond au-dessus de l'extrémité de l'une des pales. Mesurez cette distance. Faites tourner le ventilateur jusqu'à ce que la prochaine pale soit positionnée pour la mesure. Répétez pour chaque pale. L'écart de distance doit se trouver dans les 1/8 po.
3. Si le vacillement des pales est perceptible, échangez deux pales adjacentes (côte à côte) pour redistribuer le poids et éventuellement permettre un fonctionnement plus équilibré.

Dysfonctionnement de la télécommande.

1. Les ventilateurs de plafond avec des systèmes de contrôle à distance **NE PEUVENT PAS** fonctionner conjointement avec tout autre système de contrôle, **SAUF** un interrupteur mural de marche/arrêt, si souhaité.

FCC INFORMATION

Cet appareil est conforme à la section 15 de la réglementation de la FCC. L'exploitation est soumise aux deux conditions suivantes :

- 1) Cet équipement ne doit pas causer d'interférences nuisibles, et
 - 2) Cet équipement doit accepter toute interférence reçue, y compris les interférences risquant d'engendrer un fonctionnement indésirable.
- Remarque : Des tests ont confirmé que ce matériel respecte les limites d'un dispositif numérique de catégorie B, en vertu de la section 15 de la réglementation de la FCC. Ces limites ont été conçues pour fournir une protection raisonnable contre le brouillage nuisible d'une installation résidentielle. Cet équipement génère, utilise et peut rayonner de l'énergie radiofréquence et, s'il n'est pas installé et utilisé selon les instructions, peut causer de l'interférence nuisible aux communications de radio. Cependant, il est néanmoins possible qu'il y ait de l'interférence dans une installation en particulier. Si cet équipement cause du brouillage nuisible à la réception du signal de radio ou de télévision, ce qui peut être déterminé en éteignant puis en rallumant l'appareil, l'utilisateur peut essayer de corriger l'interférence en appliquant une des mesures suivantes :

- Réorienter l'antenne de réception ou changer son emplacement.
- Augmenter la distance séparant l'équipement et le récepteur.
- Brancher le matériel dans la prise de courant d'un circuit différent de celui auquel le récepteur est branché.
- Consulter le revendeur ou un technicien radio/télé d'expérience.

KICHLER®

www.kichler.com

KICHLER® LIGHTING

7711 EAST PLEASANT VALLEY ROAD P.O. BOX 318010

CLEVELAND, OHIO 44131-8010

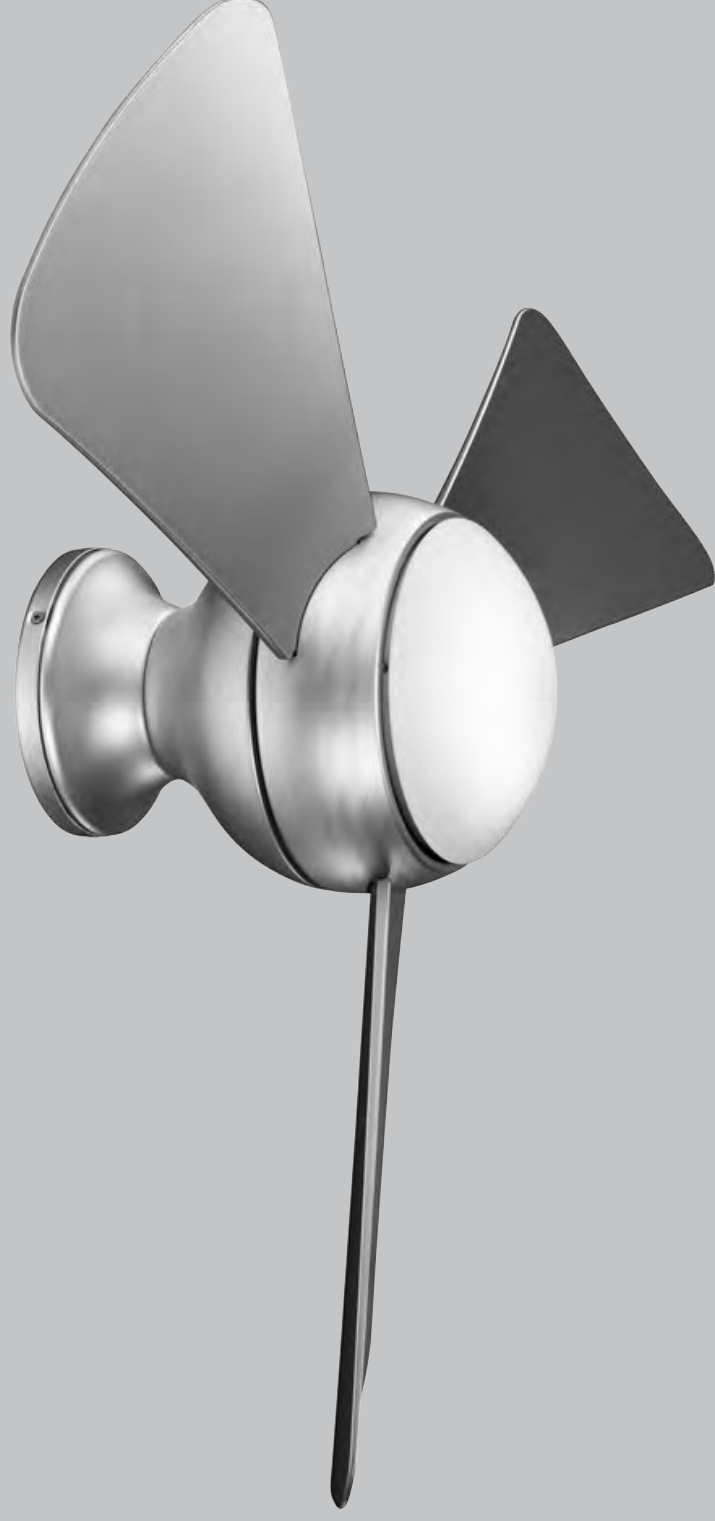
SERVICE À LA CLIENTÈLE 866.558.5706

De 08h30 à 17h (heure normale de l'Est), du lundi au vendredi

KICHLER®

VENTILADOR SOLA

Las imágenes del producto pueden variar levemente respecto del producto real.



MANUAL DE INSTRUCCIONES

ÍNDICE

| | | | |
|--|---|---|----|
| NORMAS DE SEGURIDAD..... | 4 | FINALIZACIÓN DE LA INSTALACIÓN..... | 11 |
| HERRAMIENTAS Y MATERIALES NECESARIOS..... | 5 | INSTALACIÓN DEL TRANSMISOR..... | 15 |
| CONTENIDO DE LA CAJA..... | 5 | CONFIGURACIÓN DEL SISTEMA DE CONTROL... | 16 |
| OPCIONES DE MONTAJE | 6 | INSTRUCCIONES DE USO..... | 17 |
| INSTALACIÓN DEL VENTILADOR..... | 7 | RESOLUCIÓN DE PROBLEMAS | 18 |
| INSTALACIÓN DEL SOPORTE DE SEGURIDAD | 8 | INFORMACIÓN DE LA FCC..... | 19 |
| CONEXIONES ELÉCTRICAS..... | 9 | | |

NORMAS DE SEGURIDAD

1. Para reducir el riesgo de sufrir una descarga eléctrica, asegúrese de deshabilitar el circuito o cortar la electricidad de la caja de fusibles antes de comenzar.
2. Todos los cableados deben cumplir con el Código Nacional de Electricidad (NEC) y con los códigos de electricidad locales. Las instalaciones eléctricas deben ser realizadas por electricistas calificados con licencia.
3. **ADVERTENCIA:** Para reducir el riesgo de descarga eléctrica, no utilice este ventilador con ningún control de velocidad de estado sólido. Use sólo el control suministrado con el ventilador.
4. **ADVERTENCIA:** Para reducir el riesgo de incendio, descarga eléctrica o lesiones personales, monte en la caja de distribución con la certificación UL marcada "Aceptable para soporte de ventilador de 15,9 kg (35 lbs.) o menos" y utilice los tornillos de montaje suministrados con la caja de distribución y/o el soporte directamente de la estructura del edificio. La mayoría de las cajas de distribución que se utilizan habitualmente para el soporte de las luminarias no son aceptables para el soporte de los ventiladores y es posible que sea necesario sustituirlas; en caso de duda, consulte a un electricista calificado.

ADVERTENCIA

PARA REDUCIR EL RIESGO DE INCENDIO, DESCARGA ELÉCTRICA O LESIONES, MONTAR EL VENTILADOR EN UN TOMACORRIENTE CERTIFICADO "PARA SOPORTE DE VENTILADORES"

5. La caja de distribución y la estructura de soporte deben estar montadas de forma segura y ser capaces de soportar de forma fiable un mínimo de 35 libras. Utilice únicamente cajas de distribución homologadas UL marcadas "PARA SOPORTE DE VENTILADOR".
6. El ventilador debe montarse a una distancia mínima de 7 pies entre la cola de las aspas y el piso.

7. Para operar la función de reversa en este ventilador, oprima el botón de reversa mientras el ventilador está funcionando. Unos segundos después, el ventilador bajará su velocidad hasta detenerse por completo y luego comenzará a girar en sentido inverso.
8. Evite colocar objetos en el camino de las aspas.
9. Para evitar lesiones o daños al ventilador u otros objetos, sea cuidadoso al trabajar cerca del ventilador o limpiarlo.
10. No usar agua o detergentes para limpiar el ventilador o las aspas. Usar un paño seco o levemente húmedo para limpiarlo.
11. Después de realizar las conexiones eléctricas, los conductores empalmados deben girarse hacia arriba y empujarse con cuidado hasta introducirse en la caja de distribución eléctrica. Los cables deben estar bien espaciados con el cable de tierra y el cable blanco (común) a un lado y con el cable negro (de carga) al otro lado de la caja de distribución eléctrica.
12. Los diagramas eléctricos son solo para referencia. Los kits de luz que no vengán incluidos con el ventilador deben estar certificados como aptos para usarse con el modelo de ventilador que usted está instalando. Los interruptores deben ser de Uso General. Lea las instrucciones incluidas con el kit de luces e interruptores para su correcto ensamblaje.

ADVERTENCIA

PARA REDUCIR EL RIESGO DE LESIONES, NO DOBLAR LOS SOPORTES DE LAS ASPAS (PESTAÑAS) DURANTE EL ENSAMBLAJE O DESPUÉS DE LA INSTALACIÓN. NO COLOCAR OBJETOS EN EL CAMINO DE LAS ASPAS.

HERRAMIENTAS REQUERIDAS

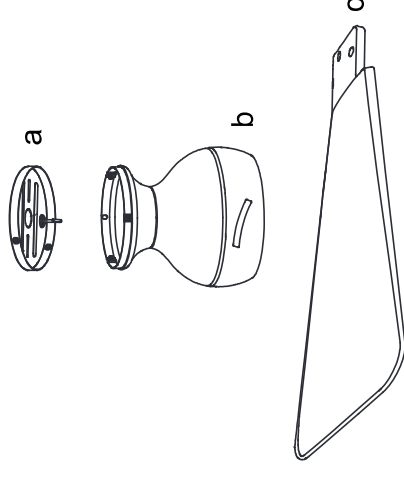
Destornillador Philips

Destornillador plano

Llave de 11 mm

Escalera

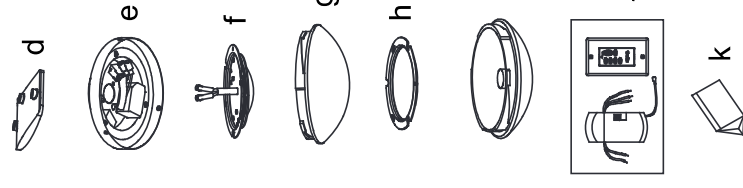
Cortacables



CONTENIDO DE LA CAJA

Abra la caja y verifique su contenido. Debe tener los siguientes ítems:

- a. Soporte para montaje de techo
- b. Ensamblaje del motor del ventilador
 - 1) Piezas metálicas del cable de seguridad: tirafondo (1), arandela de resorte (1), arandala plana (1)
 - 2) Piezas metálicas para acoplamiento de las aspas: tornillos (9)
 - 3) Piezas metálicas de montaje: tuercas para cable (3)
- c. Aspas del ventilador (3)
- d. Garnición del asa del ventilador (3)
- e. Caja de interruptores
- f. Ensamblaje de LED
- g. Pantalla de vidrio
- h. Cubierta de cables del kit de iluminación
- i. Tapa de acero
- j. Sistema de control de montaje de pared
- k. Contenido de la bolsa de piezas



OPCIONES DE MONTAJE

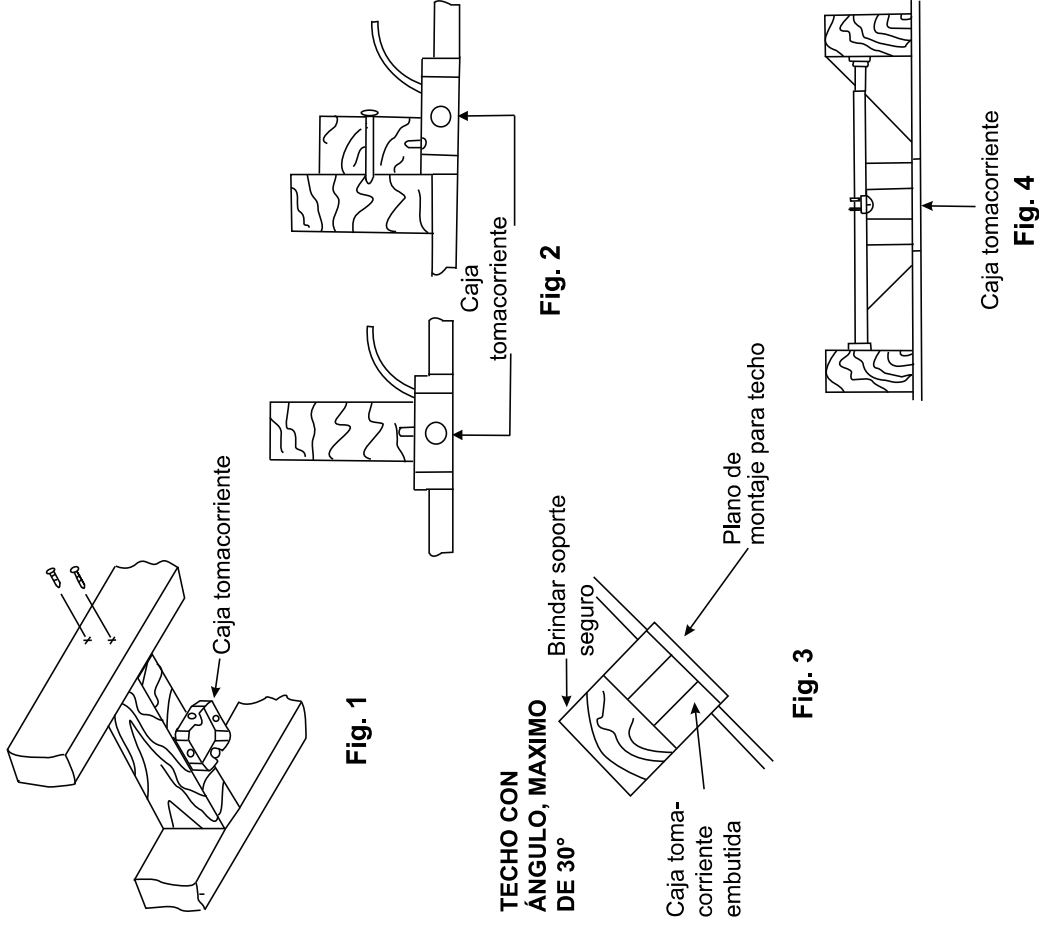
Si no hay ninguna caja de montaje con certificación ETL existente, entonces lea las siguientes instrucciones. Desconectar la electricidad sacando los fusibles o bajando las llaves de circuitos.

Asegure la caja tomacorriente directamente sobre la estructura del edificio. Use tornillos y materiales adecuados. La caja tomacorriente y su soporte deben poder soportar el peso del ventilador en movimiento (por lo menos 50 libras). No use cajas tomacorriente de plástico.

Las **figuras 1, 2 y 3** son diferentes ejemplos de cómo montar la caja tomacorriente.

NOTA: Si usted está instalando el ventilador sobre un techo inclinado (en declive), puede necesitar una vara descendente más larga para mantener la distancia adecuada entre la punta de las aspas y el techo. La distancia mínima sugerida para el funcionamiento óptimo es de 12”.

NOTA: Según la ubicación escogida para la instalación, quizás deba comprar e instalar un “colgante para viga” para colocar la caja tomacorriente. Asegúrese de que el colgante para viga que compre esté diseñado para usarse con ventiladores de techo (**Fig. 4**).



INSTALACIÓN DEL VENTILADOR

RECUERDE desconectar el suministro de energía eléctrica antes de comenzar con la instalación. Esto es necesario para su seguridad y, además, para la programación adecuada del sistema de control.

Para instalar su ventilador de techo de manera adecuada, siga los pasos detallados a continuación.

Paso 1. Pase los cables de alimentación de 120 voltios desde la caja de distribución eléctrica del techo a través del centro del soporte de montaje de techo. Acople bien el soporte/placa de montaje de techo a la caja de distribución eléctrica tal como se muestra (**Fig. 5**).

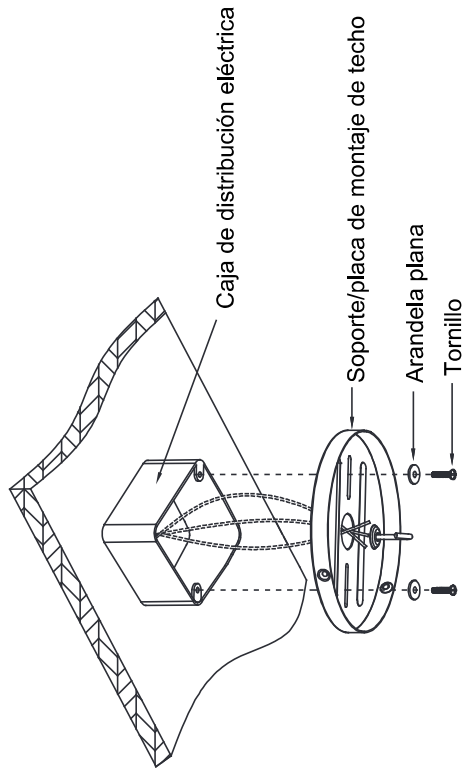


Fig. 5

Paso 2. Enganche el cuerpo del motor al soporte/placa de montaje tal como se muestra. Ahora puede continuar con el cableado eléctrico de su ventilador (**Fig. 6**).

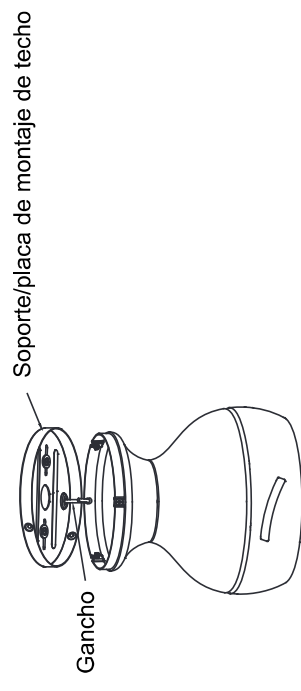
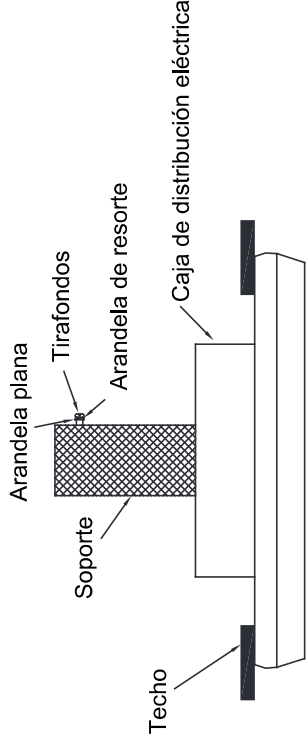


Fig. 6

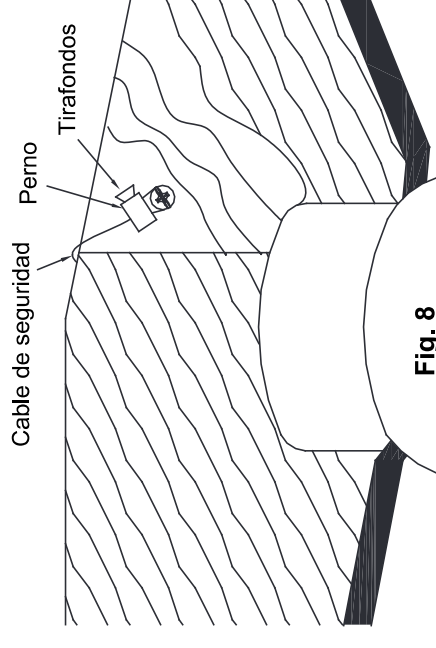
INSTALACIÓN DEL SOPORTE DE SEGURIDAD (Requisito sólo para instalación en Canadá)

Se incluye un cable de soporte de seguridad que contribuye a evitar que el ventilador de techo se caiga. Usted debe instalarlo de la siguiente manera:

Paso 1. Inserte un tirafondos y arandelas en el costado del soporte que sujeta la caja de distribución eléctrica. Deje un espacio de 3 mm (1/8") entre el soporte y la arandela (**Fig. 7**).



Paso 2. Inserte el cable de seguridad a través del soporte de montaje y uno de los orificios de la caja de distribución eléctrica en el techo. Ajuste la longitud del cable de seguridad para alcanzar el tornillo y las arandelas jalando todo el cable extra a través del sujetacables hasta que la longitud total sea la correcta. Coloque el extremo del cable hacia atrás a través del sujetacables, formando un bucle al final del cable. Ajuste el sujetacables con firmeza. Ahora, coloque el bucle al final del cable de seguridad por encima del tirafondos y por debajo de la arandela. Ajuste bien el tirafondos (**Fig. 8**).



NOTA: Aunque el cable de soporte de seguridad se requiere únicamente para instalaciones en Canadá, se recomienda su uso con cualquier instalación.

CONEXIONES ELÉCTRICAS

ADVERTENCIA: Para evitar posibles descargas eléctricas, asegúrese de haber desconectado el suministro de energía eléctrica desde el panel de circuito principal. Siga los pasos a continuación para conectar el ventilador al cableado de su hogar. Utilice las tuercas para cable proporcionadas con el ventilador. Asegure los conectores con cinta aislante. Asegúrese de que no haya conexiones o terminaciones de cables sueltas.

ADVERTENCIA: Si los colores del cableado de su hogar son diferentes a los que se mencionan en este manual, interrumpa la instalación de inmediato. Se recomienda consultar a un electricista matriculado para determinar el cableado adecuado.

NOTA: El sistema de control está equipado con 16 posibles combinaciones de códigos para evitar la posible interferencia desde o con otras unidades remotas. Los interruptores de frecuencia del receptor y el transmisor vienen configurados de fábrica. Vuelva a verificar para comprobar que los interruptores del receptor y el transmisor estén en la misma posición. Cualquier combinación de configuraciones hará funcionar el ventilador siempre que los interruptores del transmisor y el receptor estén en la misma posición (**Fig. 9**). Si se modifica el orden de los interruptores de cada bloque de interruptores se modifica la frecuencia operativa.

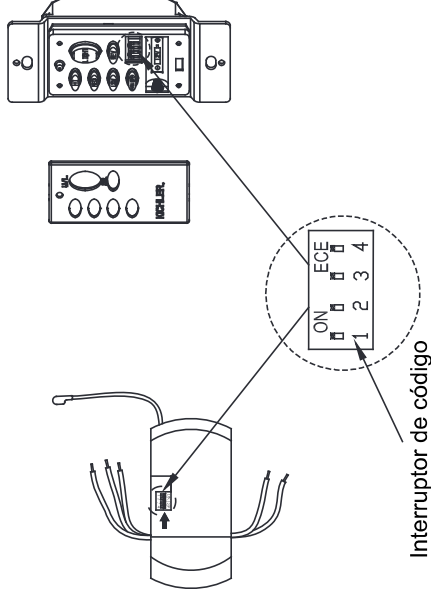


Fig. 9

CONEXIONES ELÉCTRICAS (CONTINUACIÓN)

Paso 1. Conexiones eléctricas del motor al receptor: Conecte el cable negro del ventilador al cable negro marcado como "TO MOTOR L" (AL MOTOR L) del receptor. Conecte el cable blanco del ventilador al cable blanco marcado como "TO MOTOR N" (AL MOTOR N) del receptor. Conecte el cable azul del ventilador al cable azul marcado como "FOR LIGHT" (PARA ILUMINACIÓN) del receptor. Asegure las conexiones de cables con las tuercas plásticas para cable proporcionadas (**Fig. 10**).

Paso 2. Conexiones eléctricas del receptor a los cables de alimentación del hogar: Conecte el cable negro (caliente) del cielorraso al cable negro marcado como "AC in L" (CA en L) del receptor. Conecte el cable blanco (neutro) del cielorraso con el cable blanco marcado como "AC in N" (CA en N) del receptor. Asegure las conexiones de cables con las tuercas plásticas para cable proporcionadas (**Fig. 10**).

Paso 3. Si su caja de distribución tiene un cable de puesta a tierra (verde o cobre sin recubrimiento), conéctelo a los cables de puesta a tierra del ventilador. Asegure la conexión eléctrica con una tuerca de plástica para cable proporcionada. Coloque el receptor en la caja del motor. Después de haber conectado los cables, sepárelos de manera que el cable verde y el cable blanco queden de un costado de la caja de distribución y el cable azul y el cable negro queden del otro costado (**Fig. 10**).

NOTA: Empuje con cuidado las conexiones de cables hacia arriba dentro de la caja de distribución.

NOTA: El ventilador debe instalarse a una distancia mínima de 30 pies del transmisor de pared para lograr una transmisión óptima de la señal entre el transmisor y la unidad receptora del ventilador.

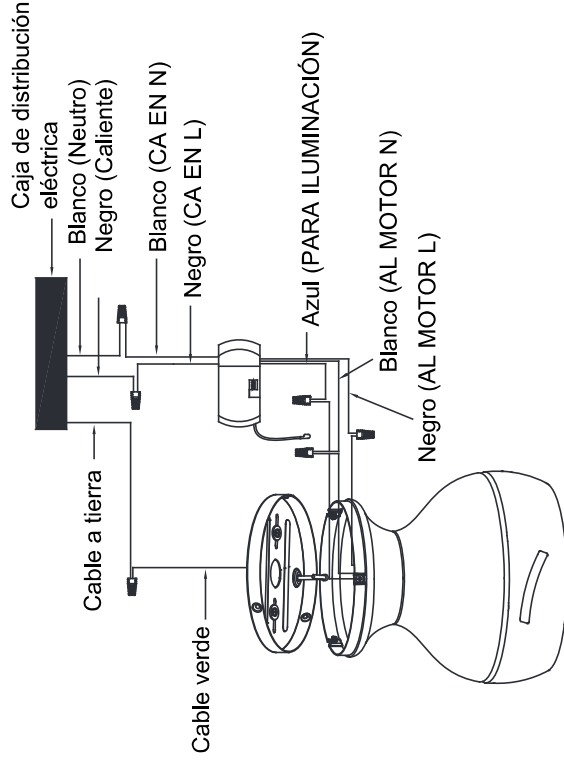


Fig. 10

FINALIZACIÓN DE LA INSTALACIÓN

Paso 1. Retire los 3 tornillos pequeños del ensamblaje del motor para uso posterior. Levante la caja del motor hacia el soporte/placa de montaje de techo, alineando los 3 orificios de ambas piezas. Asegure la caja del motor al soporte del motor utilizando los 3 tornillos retirados previamente (**Fig. 11**).

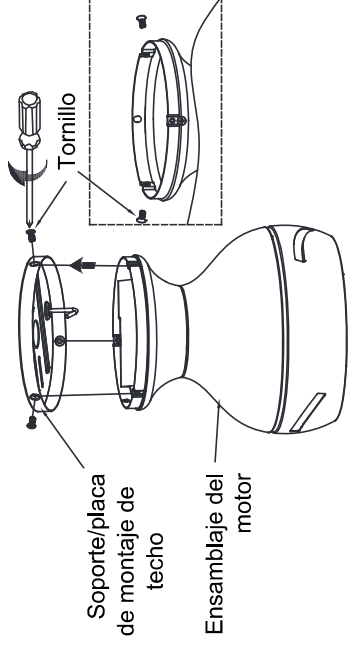


Fig. 11

Paso 2. Inserte el aspa a través de las muescas del volante y acople al buje del motor utilizando los tornillos y la guarnición del aspa. Asegúrese de que los tornillos que sujetan las aspas al buje del motor estén bien ajustados y debidamente colocados (**Fig. 12**).

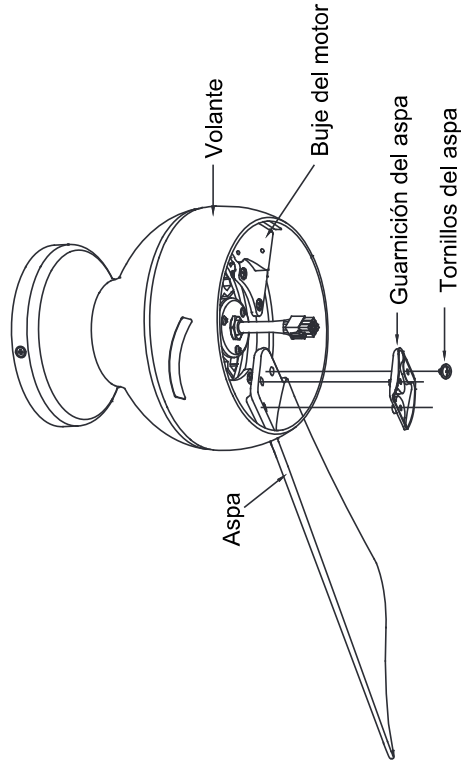


Fig. 12

FINALIZACIÓN DE LA INSTALACIÓN (CONTINUACIÓN)

Paso 3. Retire uno de los tres tornillos de la placa adaptadora en la base del ensamblaje del motor y guarde el tornillo para uso posterior. Afloje levemente los otros dos tornillos. Coloque el conector del motor a través del orificio central de la caja de interruptores. Acople el conector de 9 pines de la caja de interruptores al conector del motor. Los dos conectores tienen bocallaves que deben hacerse corresponder de manera adecuada antes de poder engancharse. Rote las muescas en forma de bocallaves de la caja de interruptores en sentido horario para acoplar ambos tornillos flojos. Vuelva a colocar el tornillo previamente retirado. Asegure la caja de interruptores a la placa adaptadora ajustando los tres tornillos (**Fig. 13**).

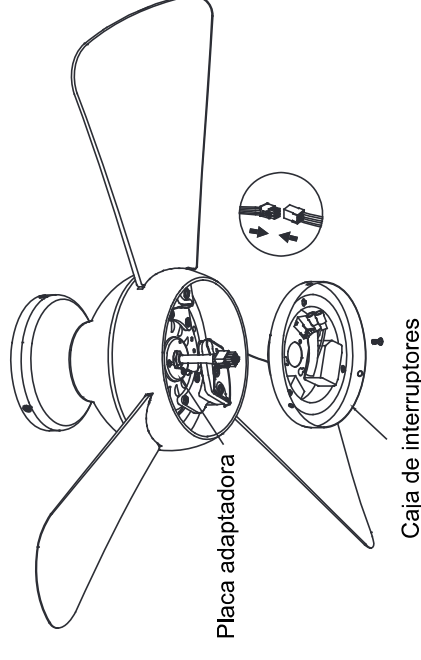


Fig. 13

Paso 4. Retire uno de los tres tornillos de la caja de interruptores. Afloje levemente los otros dos tornillos (**Fig. 14**).

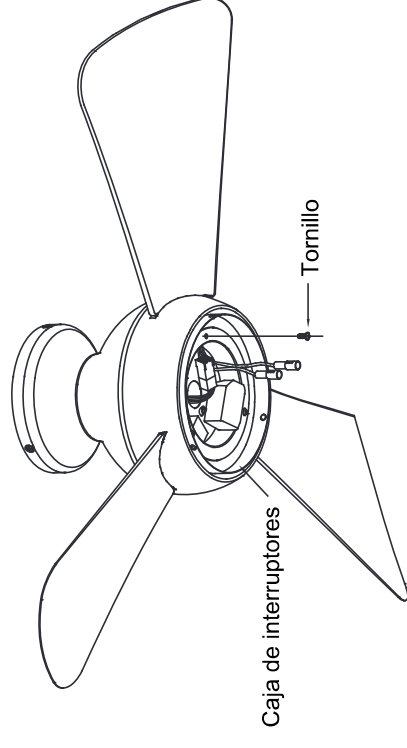


Fig. 14

FINALIZACIÓN DE LA INSTALACIÓN (CONTINUACIÓN)

Paso 5. Si se instala el kit de iluminación, pase al paso 7. Ensamble la cubierta de cables del kit de iluminación con la caja de interruptores utilizando las dos muescas de bocallaves. Vuelva a colocar el tornillo retirado y ajuste los tres tornillos (**Fig. 15a**).

Paso 6. Ensamble la tapa de acero con la caja de interruptores haciéndola girar en sentido horario (**Fig. 15b**).

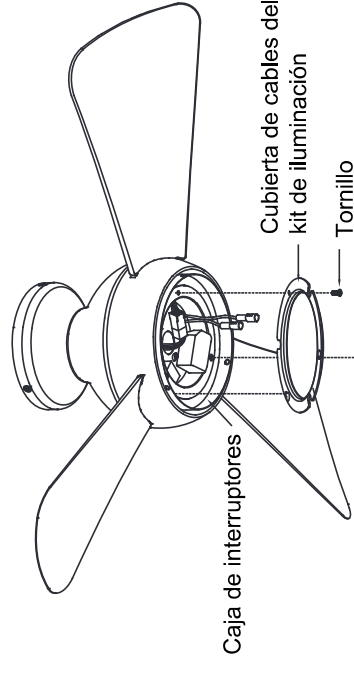


Fig. 15a

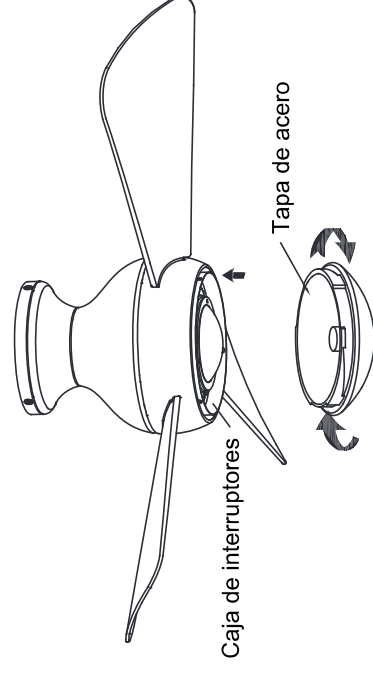
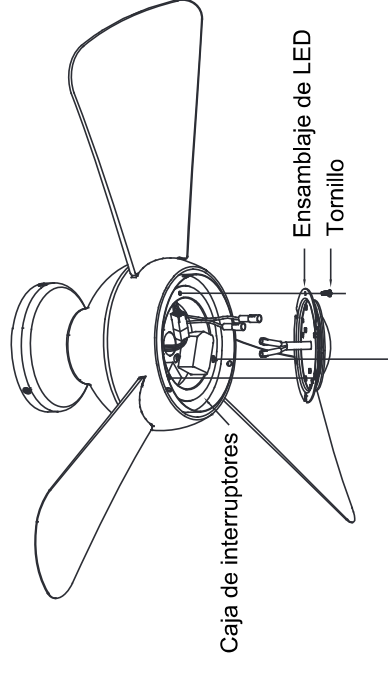


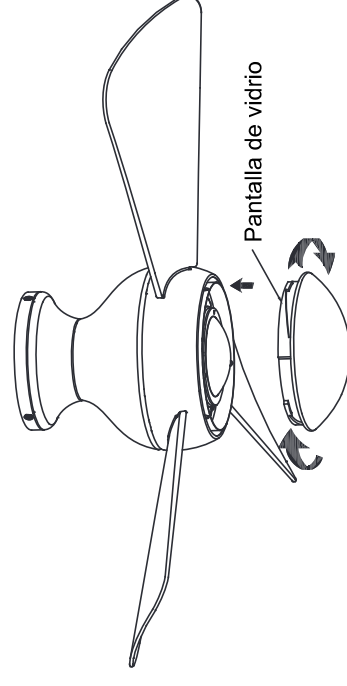
Fig. 15b

FINALIZACIÓN DE LA INSTALACIÓN (CONTINUACIÓN)

Paso 7. Para uso con el kit de iluminación: Conecte los 2 conectores de un pin de la caja de interruptores a los 2 conectores de un pin del ensamblaje de LED. Acople el ensamblaje de LED a la caja de interruptores utilizando las dos muescas de bocallaves. Vuelva a colocar el tercer tornillo retirado en el paso 4 y ajuste bien los tres tornillos (**Fig. 16a**).



Paso 8. Asegure la pantalla de vidrio a la caja de interruptores haciéndola girar en sentido horario. No ajuste demasiado (**Fig. 16b**).



INSTALACIÓN DEL TRANSMISOR

Todo el cableado debe estar de acuerdo con el Código de Electricidad Nacional y los códigos de electricidad locales. La instalación eléctrica debe ser realizada por un electricista cualificado y autorizado.

Seleccione una ubicación para instalar el transmisor de su sistema de control de montaje en pared. Puede reemplazar un interruptor de pared existente o instalar el transmisor en una nueva caja de distribución.

NOTA: Asegúrese de que la energía eléctrica esté APAGADA en el panel principal antes de continuar.

NOTA: LA INSTALACIÓN DEL INTERRUPTOR DEBE CUMPLIR CON TODOS LOS CÓDIGOS DE ELECTRICIDAD LOCALES Y NACIONALES.

Paso 1. Retire la placa de pared existente y el interruptor viejo de la caja de distribución de la pared. Conecte los cables NEGROS (calientes) y empuje hacia atrás dentro de la caja de distribución (**Fig. 17**) o seleccione la ubicación deseada con una nueva caja de distribución de pared.

Paso 2. Utilice los tornillos suministrados para fijar el transmisor de pared a la caja de distribución (**Fig. 18**).

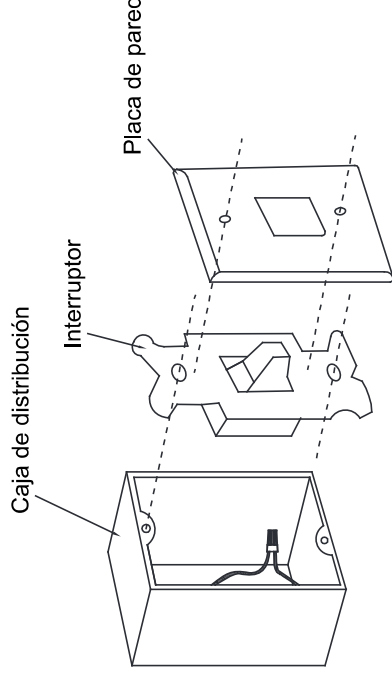


Fig. 17

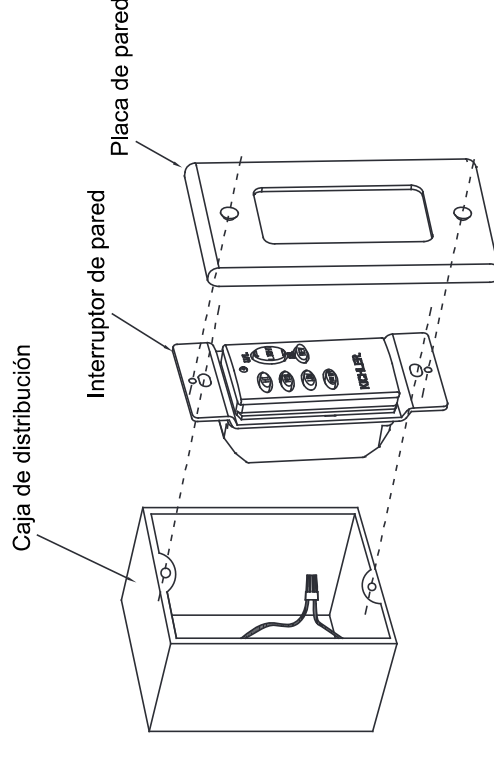


Fig. 18

CONFIGURACIÓN DEL SISTEMA DE CONTROL

NOTA: Asegúrese de que la corriente esté completamente desconectada antes de comenzar este procedimiento.

Lea todos los pasos antes de proceder. Cada paso debe seguirse con exactitud para programar correctamente el sistema de control.

Paso 1. Use un destornillador plano pequeño en la parte superior o inferior de la placa de interruptores para separar con cuidado la placa de interruptores del interruptor de pared. Instale la pila de 12 voltios incluida con el sistema de control de montaje en pared y asegúrese de que esté correctamente colocada. Sustituya la placa de interruptores (Fig. 19).

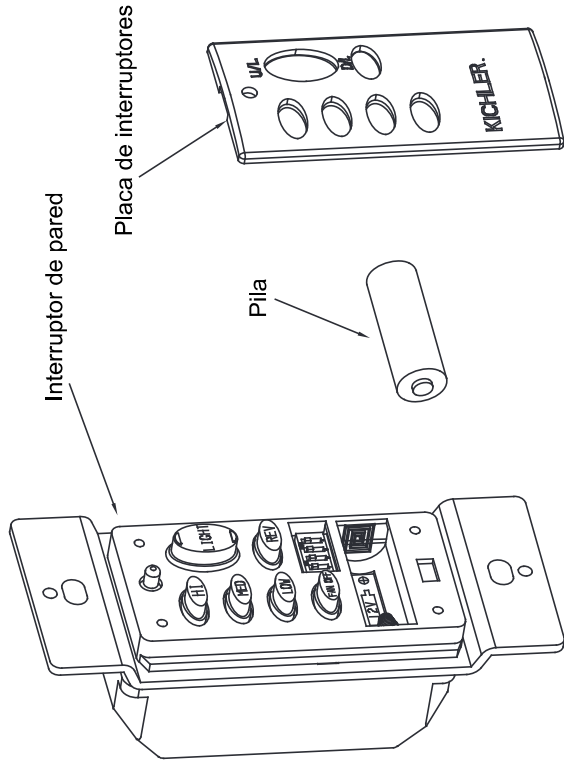


Fig. 19

Paso 2. Pruebe el transmisor presionando y soltando CUALQUIER botón. Una luz ROJA debe encenderse. Si no es así, compruebe que la pila está colocada y asentada correctamente (Fig. 19).

NOTA: Para evitar daños al transmisor, retire la pila si no la va a utilizar durante largos períodos de tiempo (meses).

Paso 3. Puede dejar los interruptores de frecuencia en la configuración de fábrica.

Sin embargo, si está usando más de un ventilador en la misma área y desea controlarlos por separado, necesitará cambiar la configuración del interruptor DIP en el control remoto. Retire la pila y cambie la configuración del interruptor DIP, asegurándose de que sea diferente a la de los otros ventiladores. Vuelva a instalar la pila y la placa de conmutación en el control (Fig. 20).

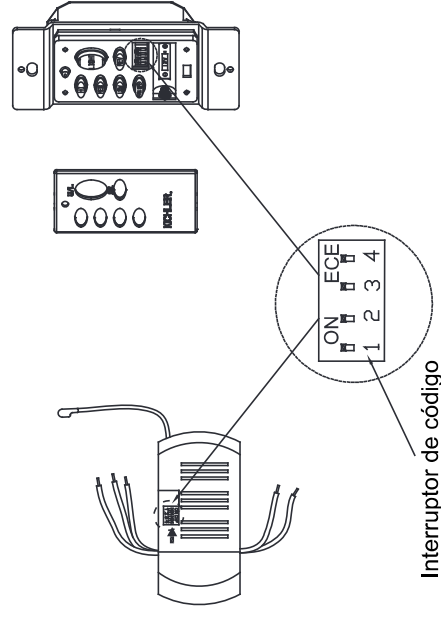


Fig. 20

INSTRUCCIONES DE USO

Restablezca la energía del ventilador de techo y compruebe que funcione correctamente (Fig. 21).

1. Control de ventilador:

Para arrancar el ventilador, presione el botón de velocidad seleccionada para hacerlo funcionar a la velocidad deseada:

"HI" = Alta

"MED" = Media

"LOW" = Baja

Para apagar el ventilador, presione el botón "FAN OFF".

2. Encendido/Apagado de la luz - presione y suelte el botón "LIGHT".

3. Atenuador de luz - la presión continua sobre el botón "LIGHT" atenúa la luz en un ciclo continuo de luz a oscuridad u oscuridad a luz.

4. "REV" controla la dirección del ventilador, hacia adelante o hacia atrás.

Los ajustes de velocidad para clima cálido o frío dependen de factores como el tamaño de la habitación, la altura del techo, el número de ventiladores, etc.

Operación de clima cálido:

Hacia delante (en sentido contrario a las agujas del reloj) Un flujo de aire hacia abajo crea un efecto de enfriamiento. Esto le permite ajustar el aire acondicionado a un valor más cálido sin afectar su comodidad general.

Operación de clima frío:

Reversa (sentido de las agujas del reloj) Un flujo de aire ascendente desplaza el área caliente fuera de las áreas del techo. Esto le permite ajustar la unidad calefactora a una temperatura más baja sin que ello afecte a su comodidad general.

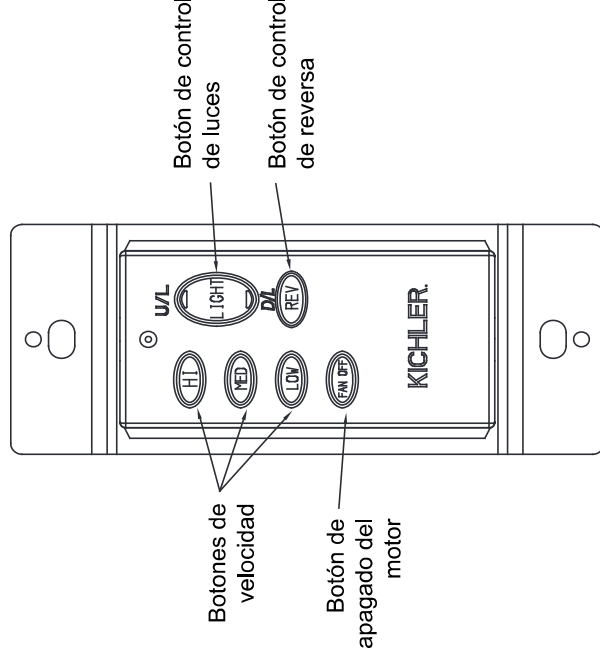


Fig. 21

RESOLUCIÓN DE PROBLEMAS

| Problema | Solución |
|---|---|
| El ventilador no enciende. | <ol style="list-style-type: none">1. Verifique la caja de fusibles e interruptores.2. Verifique todas las conexiones eléctricas para asegurarse de que estén haciendo contacto correctamente. PRECAUCIÓN: Asegúrese de que la electricidad esté CORTADA antes de revisar cualquier conexión eléctrica.3. Asegúrese de que las baterías del transmisor estén instaladas correctamente, y asegúrese de que las baterías estén bien cargadas. |
| El ventilador es ruidoso. | <ol style="list-style-type: none">1. Asegúrese de que todos los tornillos del armazón del motor estén bien ajustados.2. Asegúrese de que todos los tornillos que sujetan los soportes de las aspas al motor estén bien ajustados.3. Asegúrese de que las conexiones de las tuercas para cables no estén rozando las unas con las otras o con la pared interna de la toma de interruptores. PRECAUCIÓN: Asegúrese de que la electricidad esté cortada.4. Espere 24 horas hasta que las partes “se acomoden”. La mayoría de los ruidos de un ventilador nuevo desaparecen después de este periodo.5. Si está usando un kit de iluminación alternativo, asegúrese de que los tornillos que sujetan el vidrio estén bien ajustados. Asegúrese de que las lámparas no estén rozando con otras partes.6. No conecte este ventilador a un control de velocidad variable montado en la pared. No son compatibles con los motores de los ventiladores de techo ni con los controles remotos.7. Asegúrese de que el cobertor superior esté apenas distanciado del techo. No debe tocar el techo. |
| El ventilador se balancea. | <ol style="list-style-type: none">1. Verifique que todos los tornillos de las aspas y del soporte estén ajustados.2. La mayoría de los problemas de balanceo de los ventiladores se deben a que las aspas no están bien niveladas. Verifique este nivel seleccionando un punto en el techo arriba de la punta de una de las aspas. Mida esa distancia. Gire el ventilador hasta que la siguiente aspa esté posicionada para medir la distancia. Repetir con cada aspa. La desviación de la distancia no debe ser mayor a 1/8”.3. Si notando balanceo de las aspas, puede intercambiar dos aspas adyacentes (una al lado de la otra) para redistribuir el peso y así lograr un funcionamiento más regular. |
| Mal funcionamiento del control remoto. | <ol style="list-style-type: none">1. Los ventiladores de techo con sistemas de control remoto NO PUEDEN operarse junto con ningún otro sistema de control SALVO un interruptor básico de encendido/apagado de pared, si así se desea. |

INFORMACIÓN DE LA FCC

Este dispositivo cumple con la parte 15 de las Reglas de la FCC. La operación es sujeta a las dos condiciones siguientes:

- 1) Este dispositivo no puede causar interferencia dañina, y
- 2) Este dispositivo debe aceptar cualquier interferencia recibida, incluyendo interferencias que puedan causar un funcionamiento no deseado.

Nota: Este equipo ha sido probado y cumple con los límites para un dispositivo digital de Clase B, de acuerdo con la parte 15 de las Reglas de la FCC. Estos límites están diseñados para proveer protección razonable contra interferencias dañinas en una instalación residencial. Este equipo genera, utiliza y puede irradiar energía de radiofrecuencia y, si no se instala y utiliza de acuerdo con las instrucciones, puede causar interferencias en las comunicaciones por radio. Sin embargo, no hay garantizar que no se produzcan interferencias en una instalación en particular. Si este equipo causa interferencia perjudicial a la recepción de radio o televisión, que puede determinarse encender y apagar el equipo, se recomienda al usuario que intente corregir la interferencia mediante una o más de las siguientes medidas:

- Reorientar o reubicar la antena receptora.
- Aumente la separación entre el equipo y el receptor.
- Conecte el equipo a una toma de corriente en un circuito distinto al que está conectado el receptor.
- Consulte al distribuidor oa un técnico de radio / TV experimentado para obtener ayuda.

KICHLER®

www.kichler.com

KICHLER® LIGHTING

**7711 EAST PLEASANT VALLEY ROAD P.O. BOX 318010
CLEVELAND, OHIO 44131-8010**

ATENCIÓN AL CLIENTE 866.558.5706

8:30 AM A 5:00 PM EST, LUNES A VIERNES