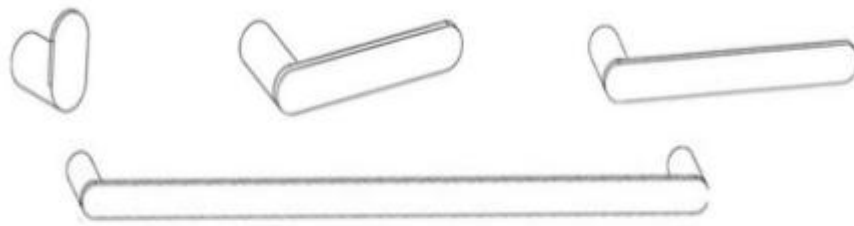


## Installation instructions



### The tools you will use

pencil



Electric drill



screwdriver



Hexagon wrench



### Installation steps

A



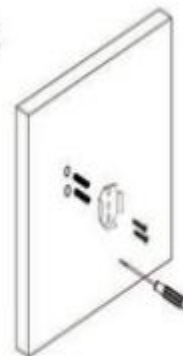
Put the mounting base in the mounting position and draw the position of the opening with pencil

B



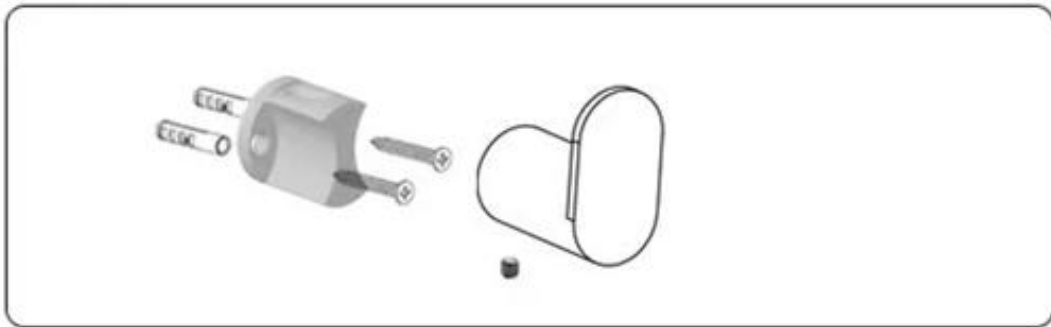
Use an electric drill to open a hole with a diameter of 6mm and a depth of 15-20mm

C

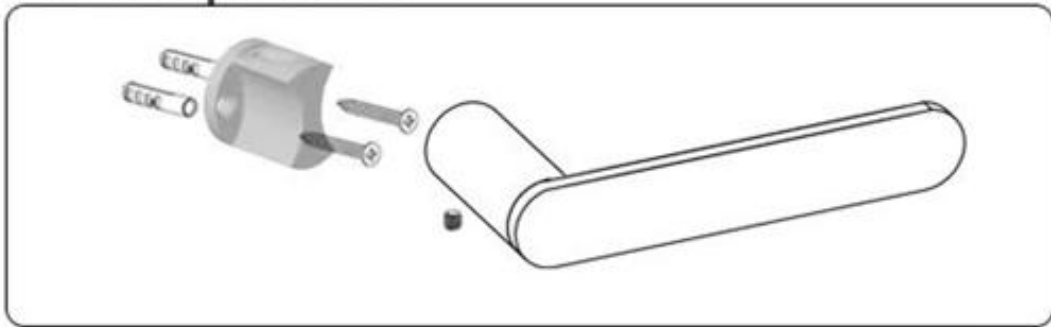


Install the mounting base in the order shown in the diagram

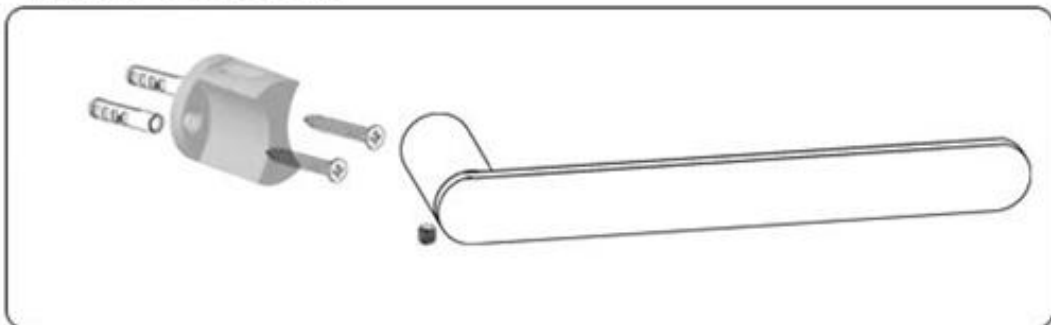
### Towel Hook



### Toilet Paper Holder



### Hand Towel Bar



### Towel Bar

