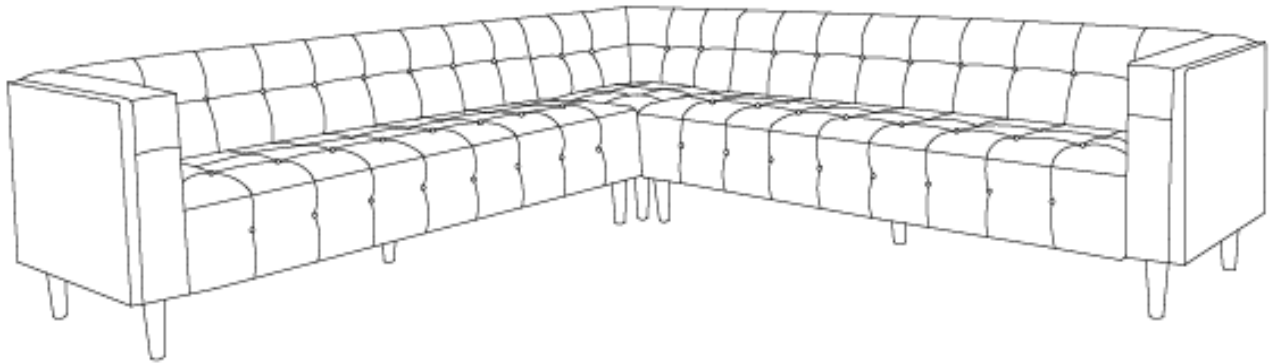


Assembly Instructions

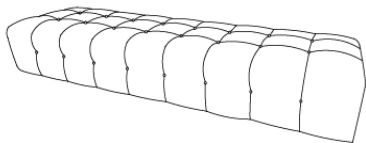
Caution: You must read this before you proceed

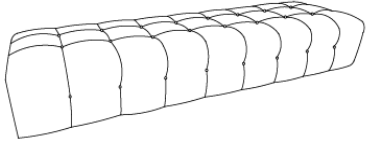
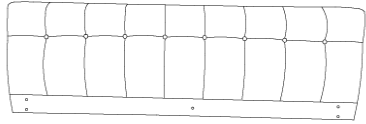
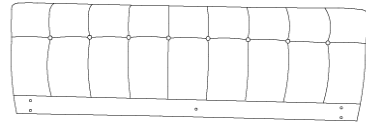
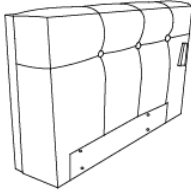
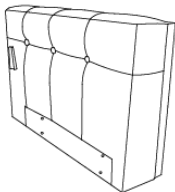
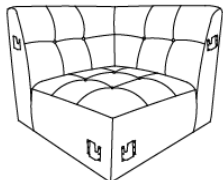


Please look in seat for hardware packs and legs.

Sectional Sofa





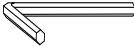


Parts List

Label	Picture	Description	QTY
A		Left Sofa Base	1

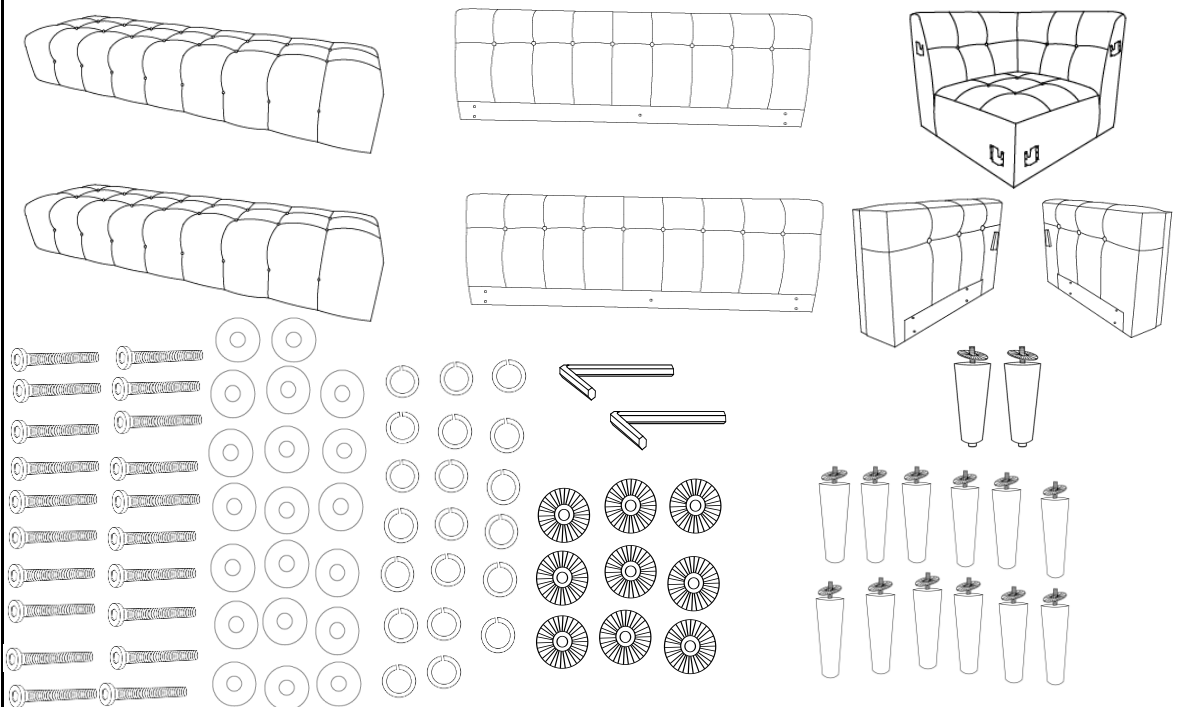
B		Right Sofa Base	1
C		Left Sofa Backrest	1
D		Right Sofa Backrest	1
E		Left Arm	1
F		Right Arm	1
G		Corner Base	1
H		Wooden Leg (with Plastic Gasket)	12
I		Middle Wooden Leg with Plastic Gasket	2

Hardware List

Label	Picture	Description	QTY
①		Plastic Gasket	9
②		Bolt (M8*80mm)	20
③		Washer	20
④		Spring Washer	20
⑤		Allen Key	2

Assembly Preparation

Before Beginning Assembly:



- Read instructions, cover to cover-



- Have 2 adults on hand for assembly-



- Do not assemble on flooring or carpet-



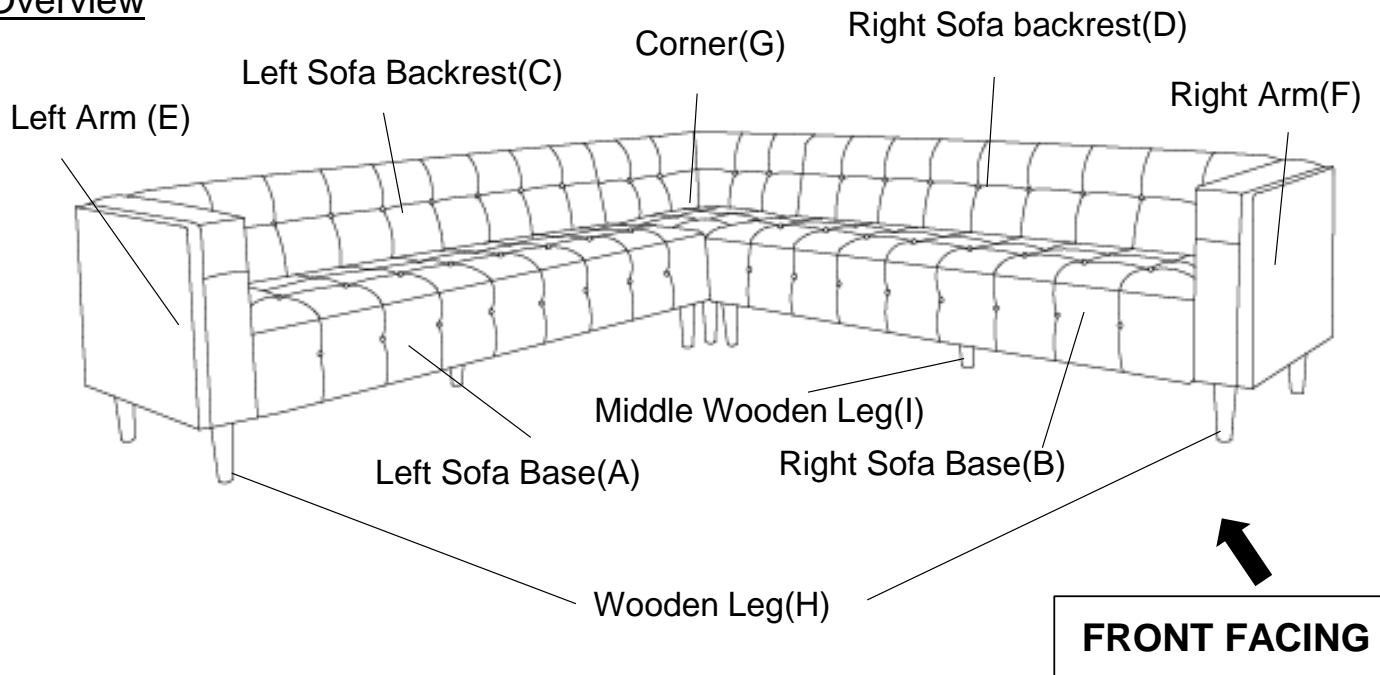
- Assemble on a clean non-marring surface (packing foam)-



- Save all packaging until finished-

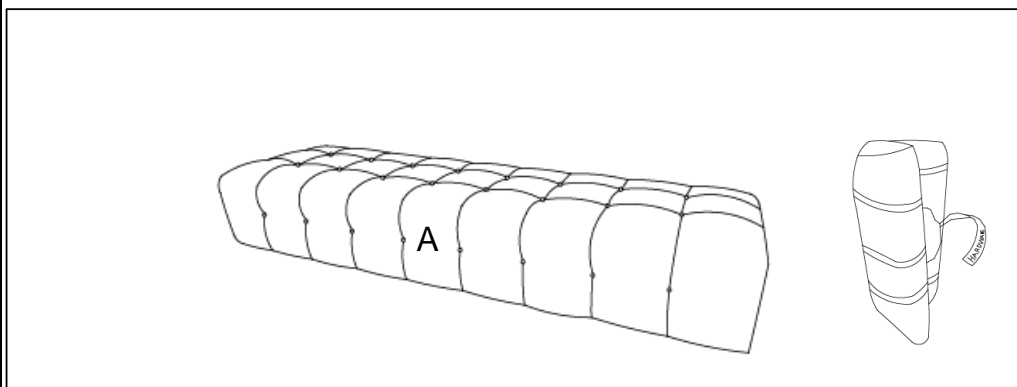
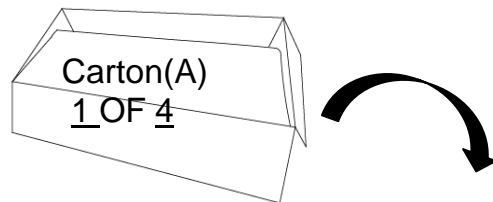
Assembly Steps

Overview



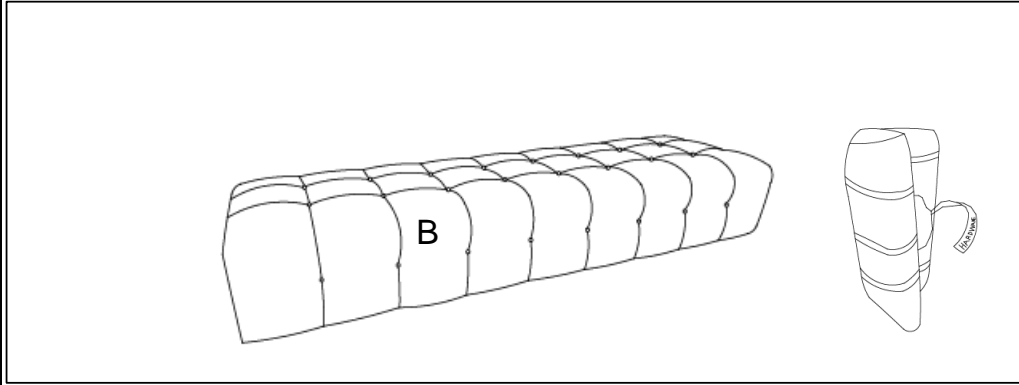
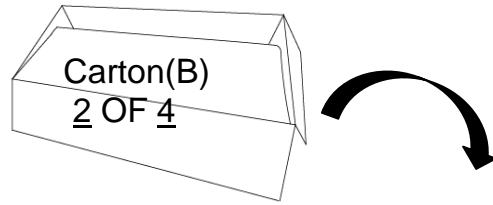
This Sectional Sofa has multiple parts and may require about 30 minutes to assemble. To give you an overview of the Loveseat parts, the above picture is to help you put the various parts into perspective. Please read through the instructions below to familiarise yourself with the parts and steps before assembly.

Step 1



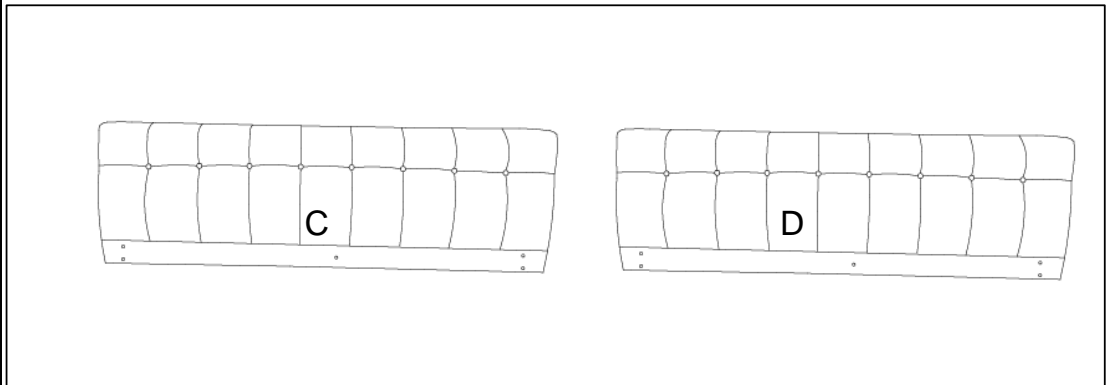
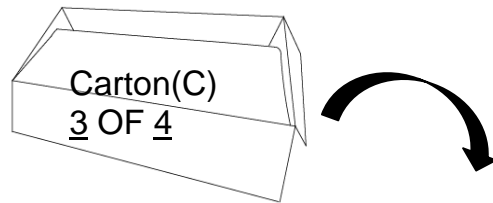
Take out the Left Sofa Base(A) and Small Package from the Carton "A", place them on a clean, non-marring surface.

Step 2



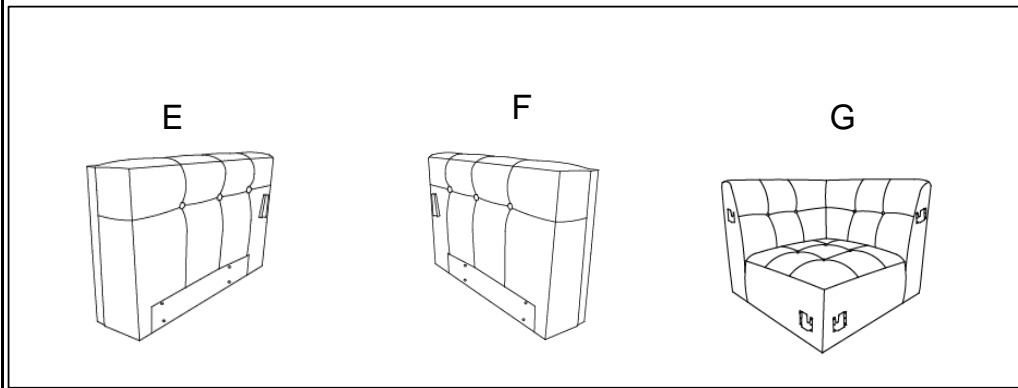
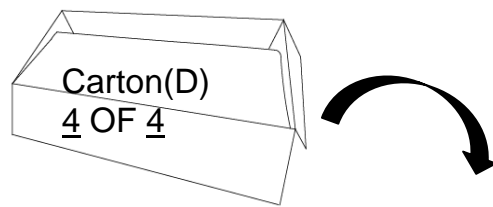
Take out the Right Sofa Base(B) and the Small Package from Carton "B", place them on a clean, non-marring surface.

Step 3



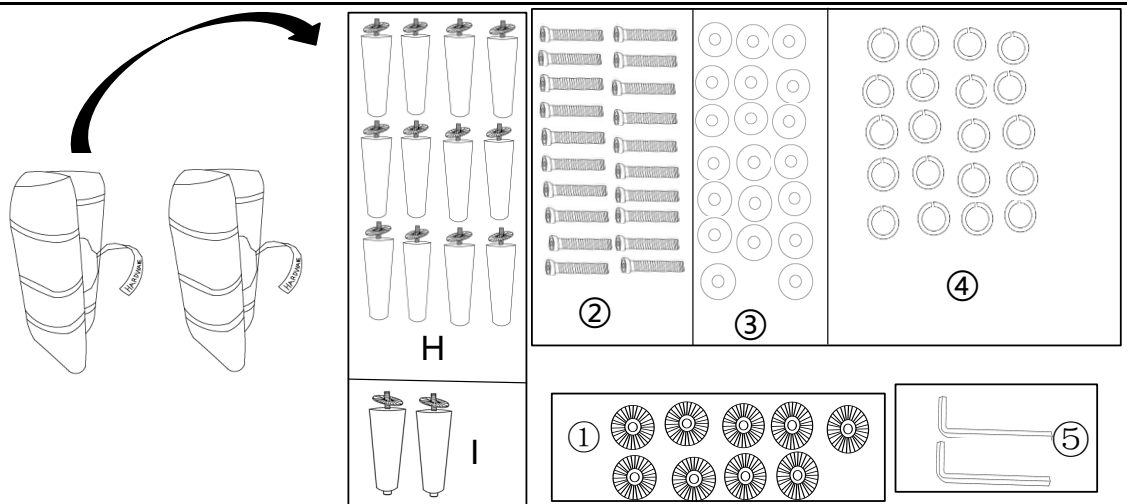
Take the Left Sofa Backrest(C) and Right Sofa Backrest(D) out from the carton "C" and place them on a clean, non-marring surface.

Step 4



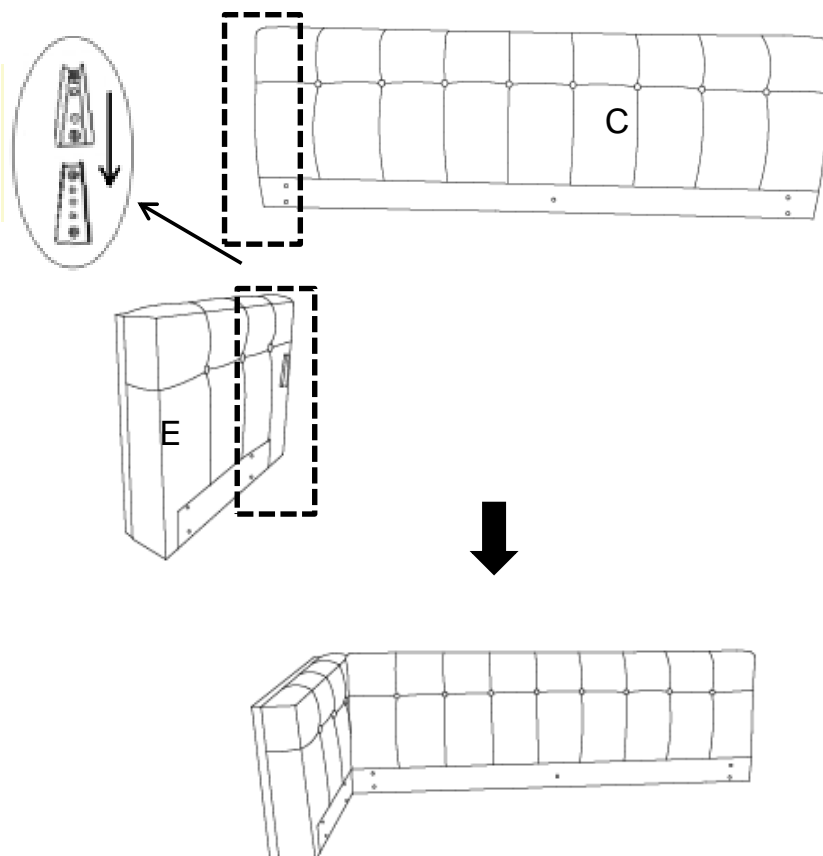
Take the Left Arm(E),Right Arm(F) and Corner Base(G) out from the carton "D" and place them on a clean, non-marring surface.

Step 5



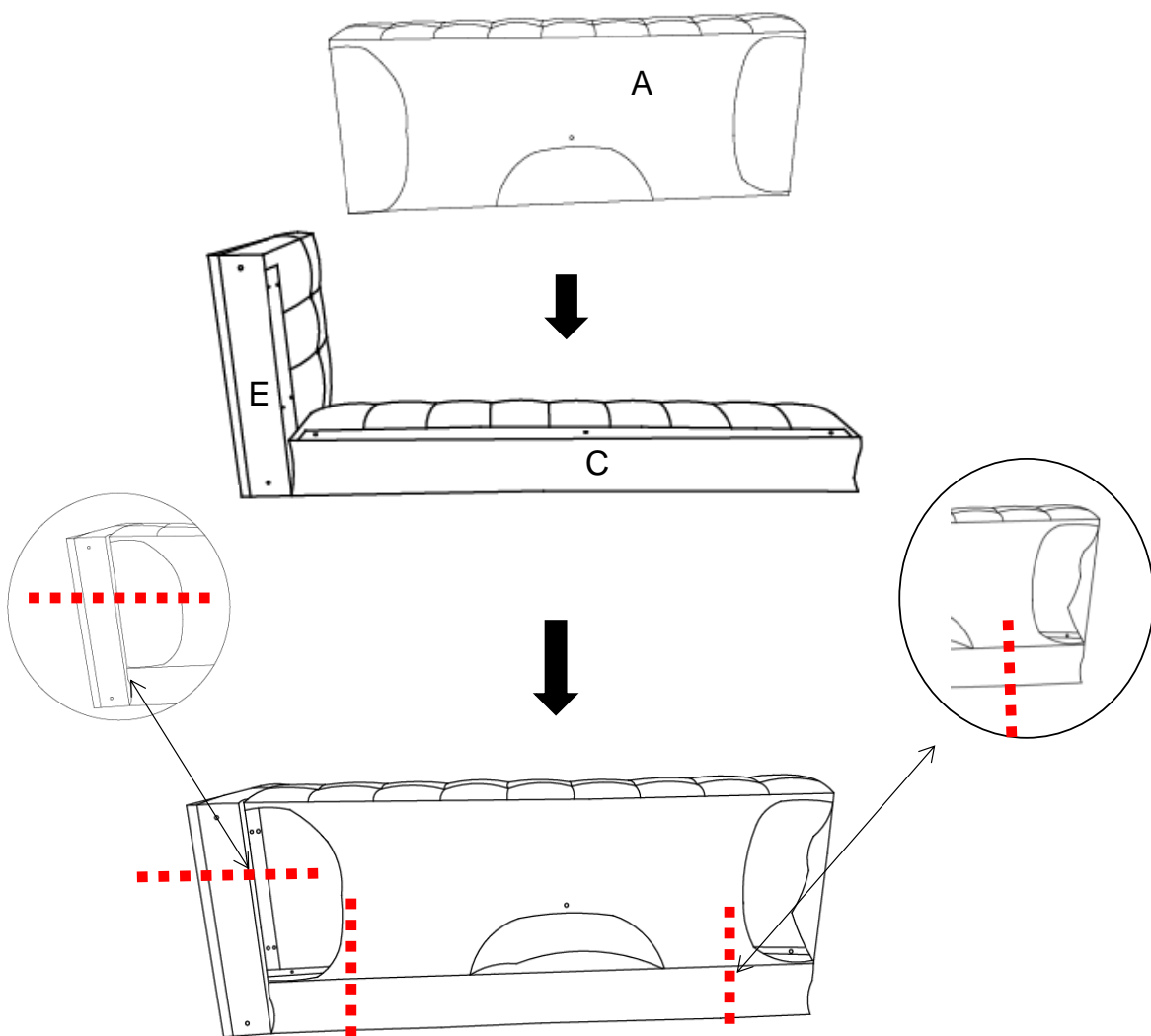
Open the two Small Packages to take out the Wooden Legs(H)&(I) and Hardware.

Step 6



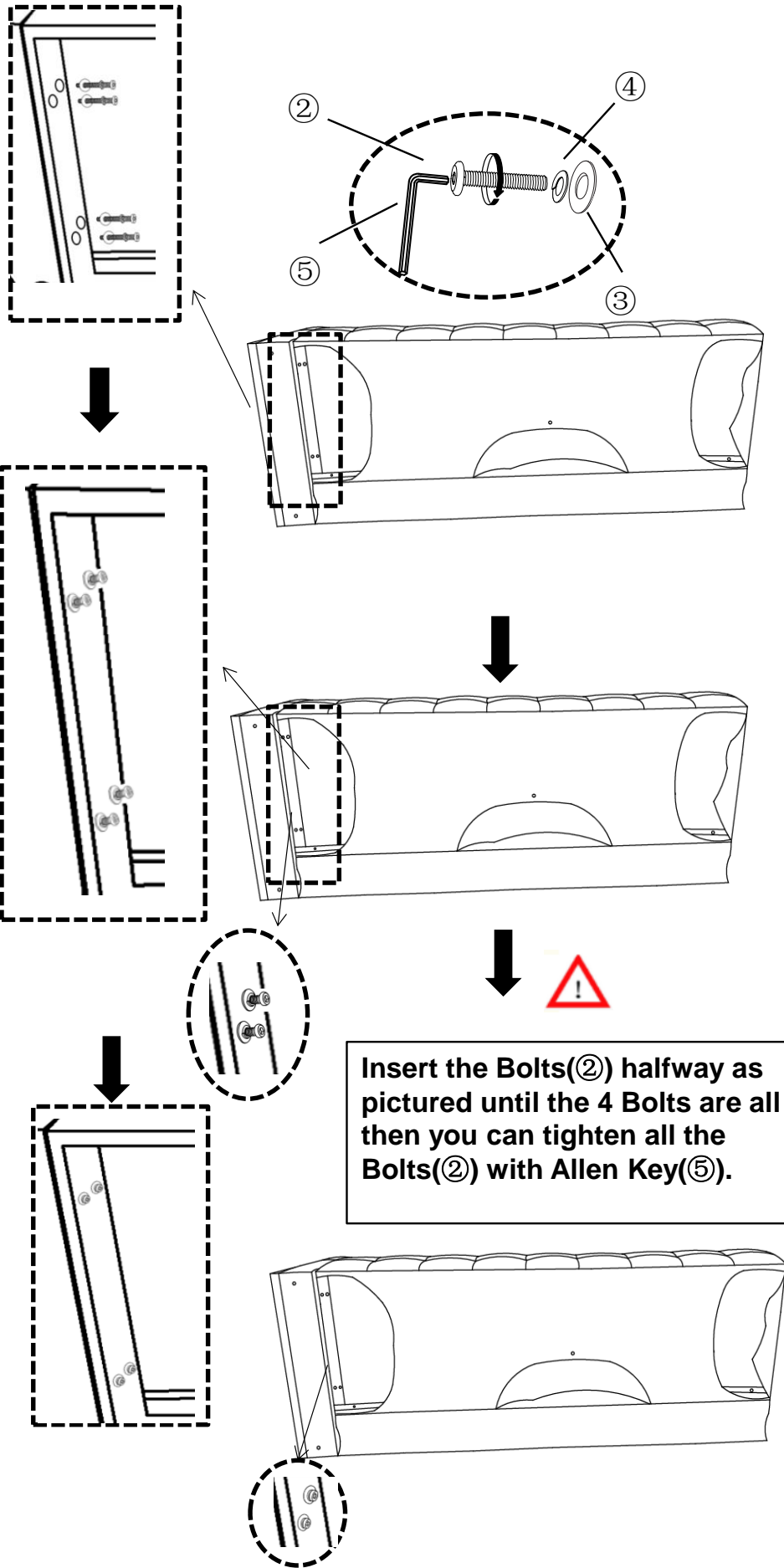
With assistance from your adult partner, align the mounting bracket on the left side of Left Sofa Backrest(C) with Left Arm(E), then slide the Left Sofa Backrest(C) downwards to make sure it locks as pictured. Please squeeze the armrest properly against the backrest to ensure that the inserts can be assembled smoothly.

Step 7



With assistance from your adult partner, align the mounting positions on the back and left side of Left Sofa Base(A) to the mounting positions of Left Arm(E) and Left Sofa Backrest(C), make sure the bottom of Left Sofa Base(A), the Sofa Backrest(C) and the Left Arm(E) are all at the same level.

Step 8



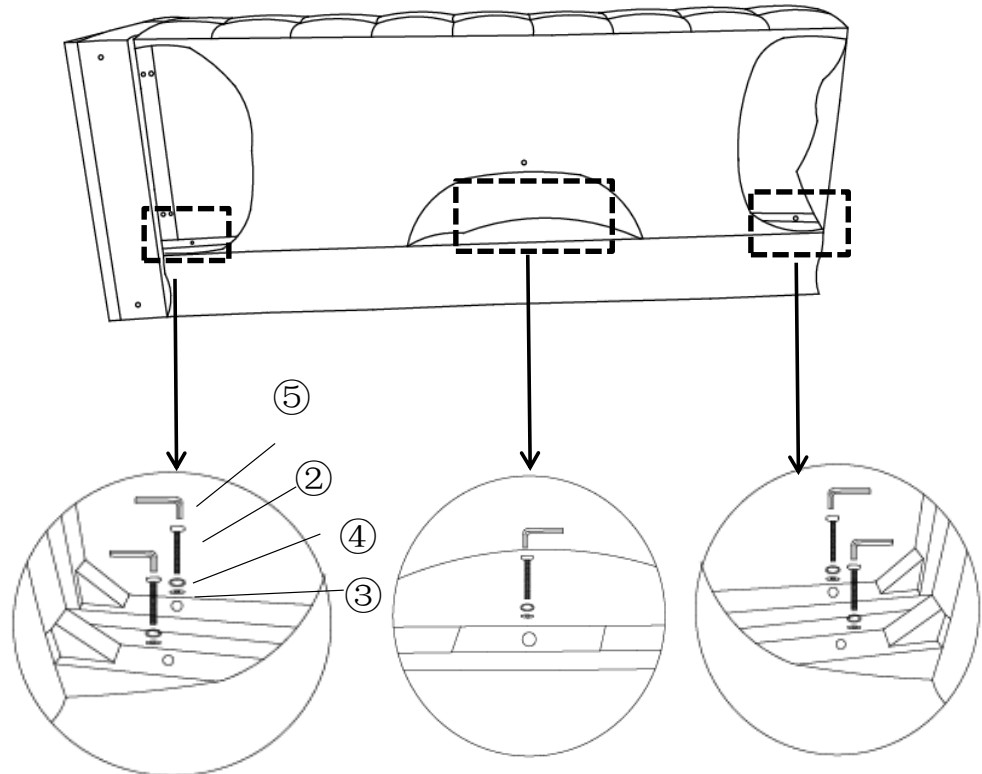
Insert the Bolts(2) halfway as pictured until the 4 Bolts are all in, then you can tighten all the Bolts(2) with Allen Key(5).

With assistance from your adult partner, place the whole product on a clean, non-marring surface. Open the left non-woven cover under the Left Sofa Base(A). Then using the Allen Key(⑤) secure the Left Sofa Base(A) to the Left Arm(C) with the Bolts(②), Spring Rings(④)and Washers(③).

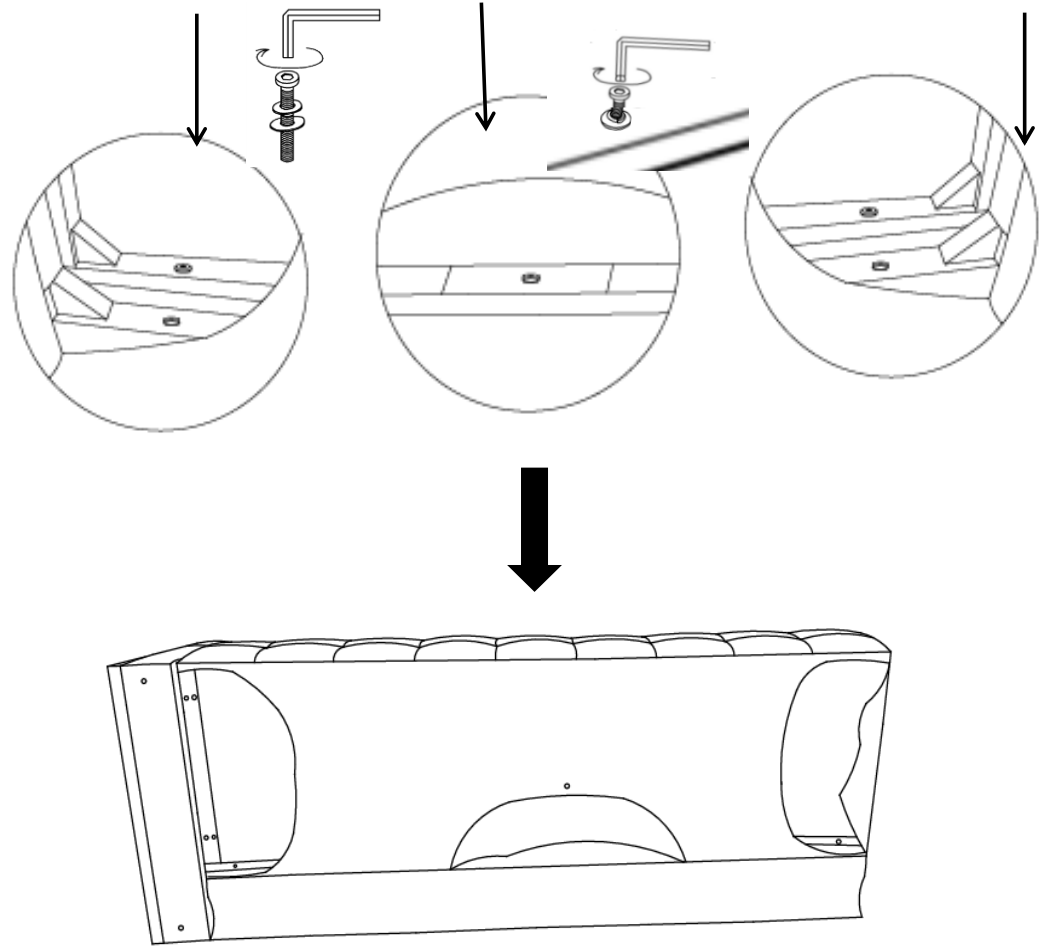
Please don't tighten the Bolts, just bolt them half-way until all are bolted in, then tighten all the Bolts with the Allen Key(⑤).

Note: The bottom of the Left Sofa Base(A) frame must be aligned with the bottom of the handrail.

Step 9

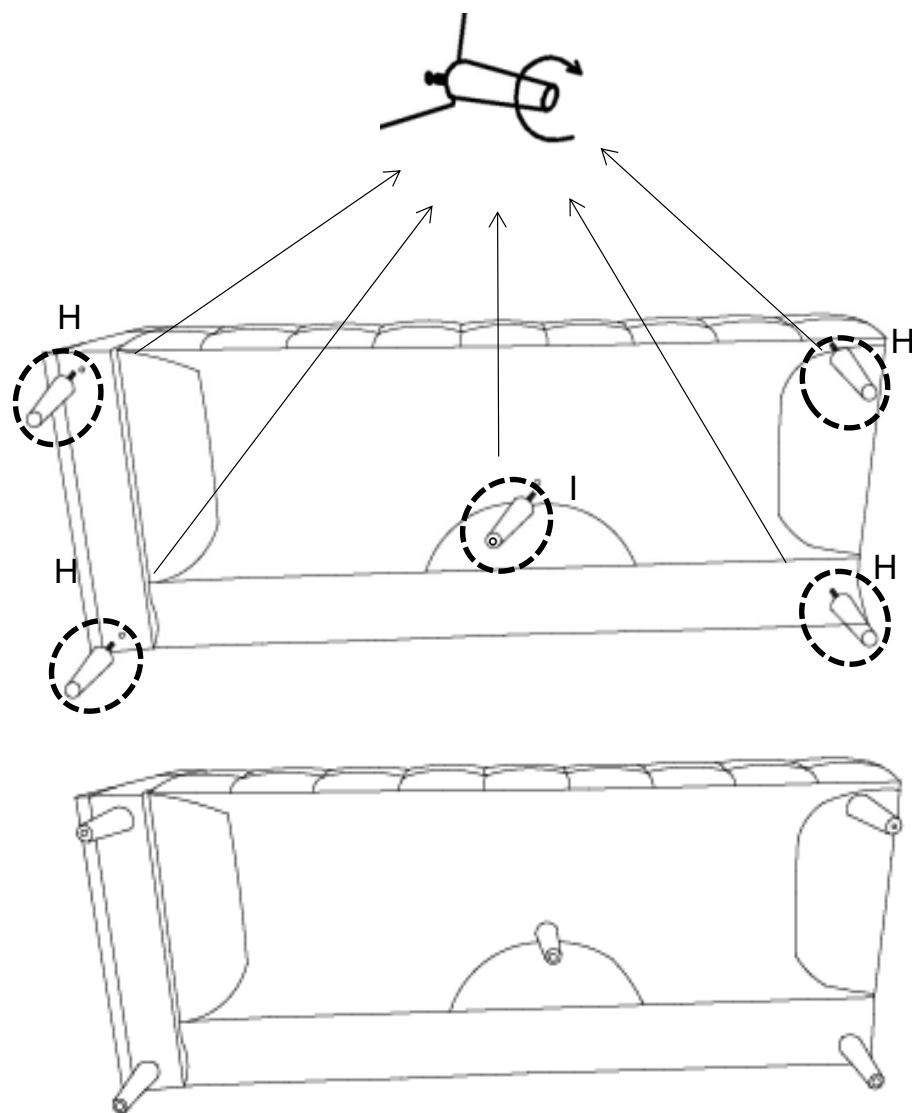


Insert the 5 Bolts(②) half-way until all Bolts have been inserted, then proceed to bolt them in with Allen Key(⑤)



Open the back Non-woven cover under the Left Sofa Base(A).
 Using the Allen Key(⑤) secure the Left Sofa Base(A) to the front-bottom Left Sofa Backrest(C) with Bolts(②), Spring Rings(④)and Washers(③).
 Insert all the five Bolts(②) half-way starting one by one as pictured.
 Then tighten the Bolts(②) with the Allen Key(⑤).
 Close the non-woven fabric under the Left Sofa Base(A) with Velcro.

Step 10

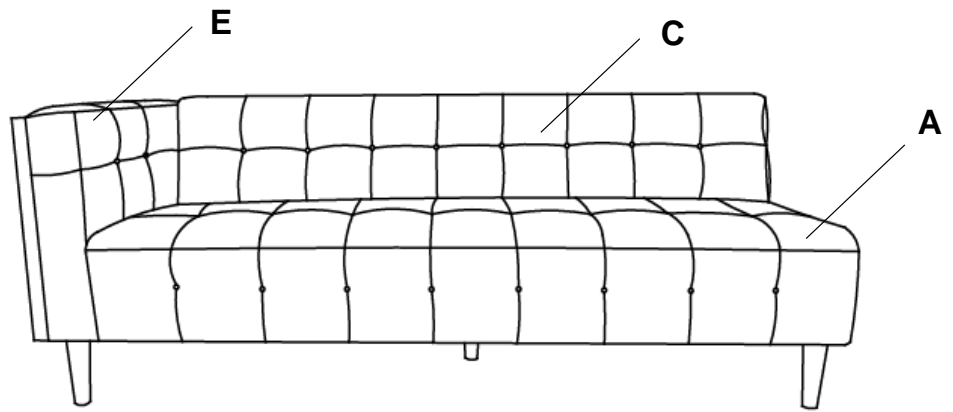


Install the Wood Legs(H) and the Middle Wooden Leg(I) onto the bottom of the Sofa by placing one Gasket(①) on the threaded stem.

Tighten by turning the Leg clockwise.

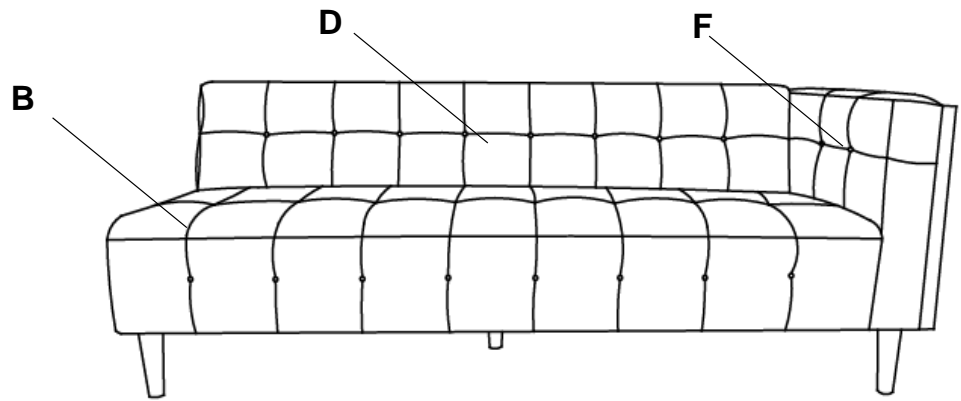
Note: The use of Gaskets are OPTIONAL and are especially useful to help alleviate slight wobbles. Some Legs may need more than one Gasket whilst some Legs may not need any.

Step 11



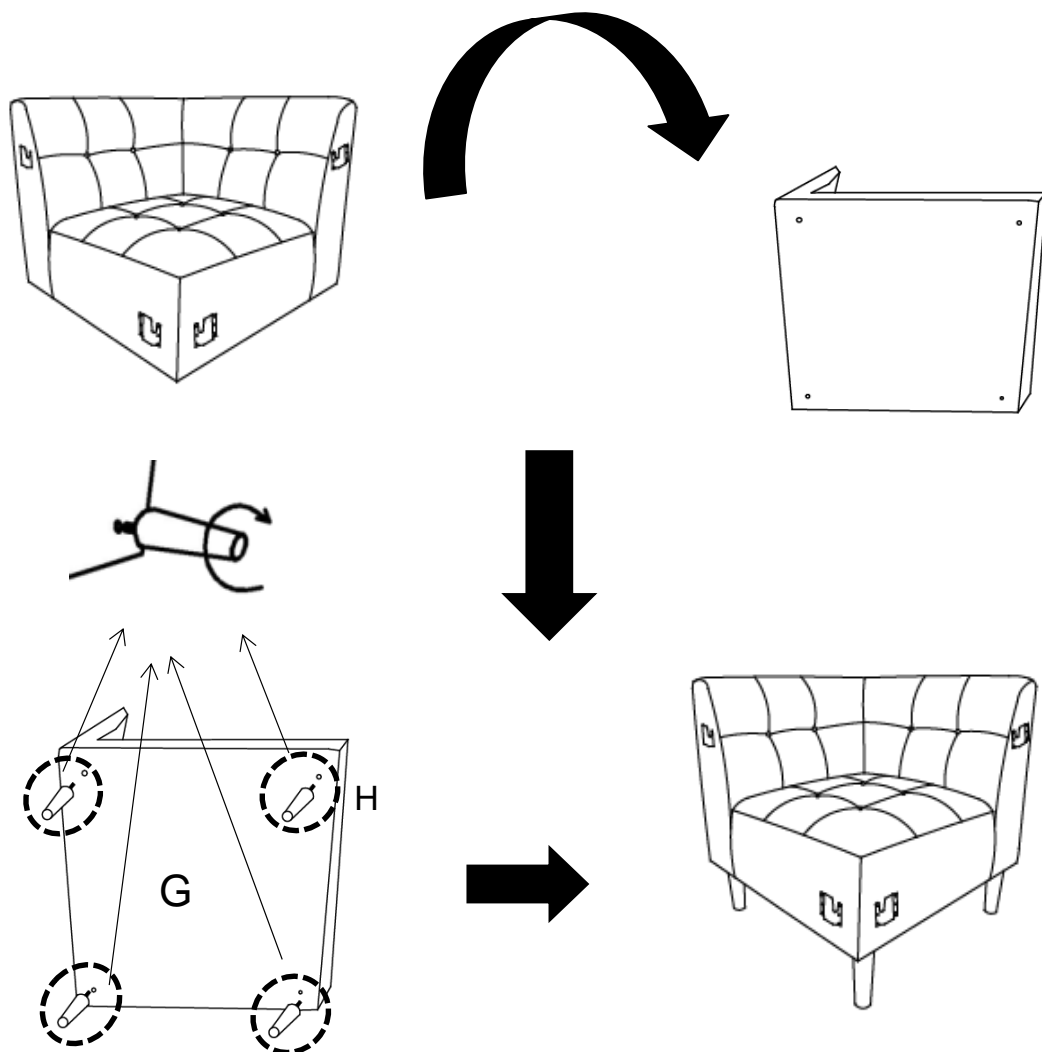
Now the Left Sofa is complete and ready for the other part to be Assembled.

Step 12



Refer to the Steps 6-10 to assemble the Right Sofa as above.

Step 13

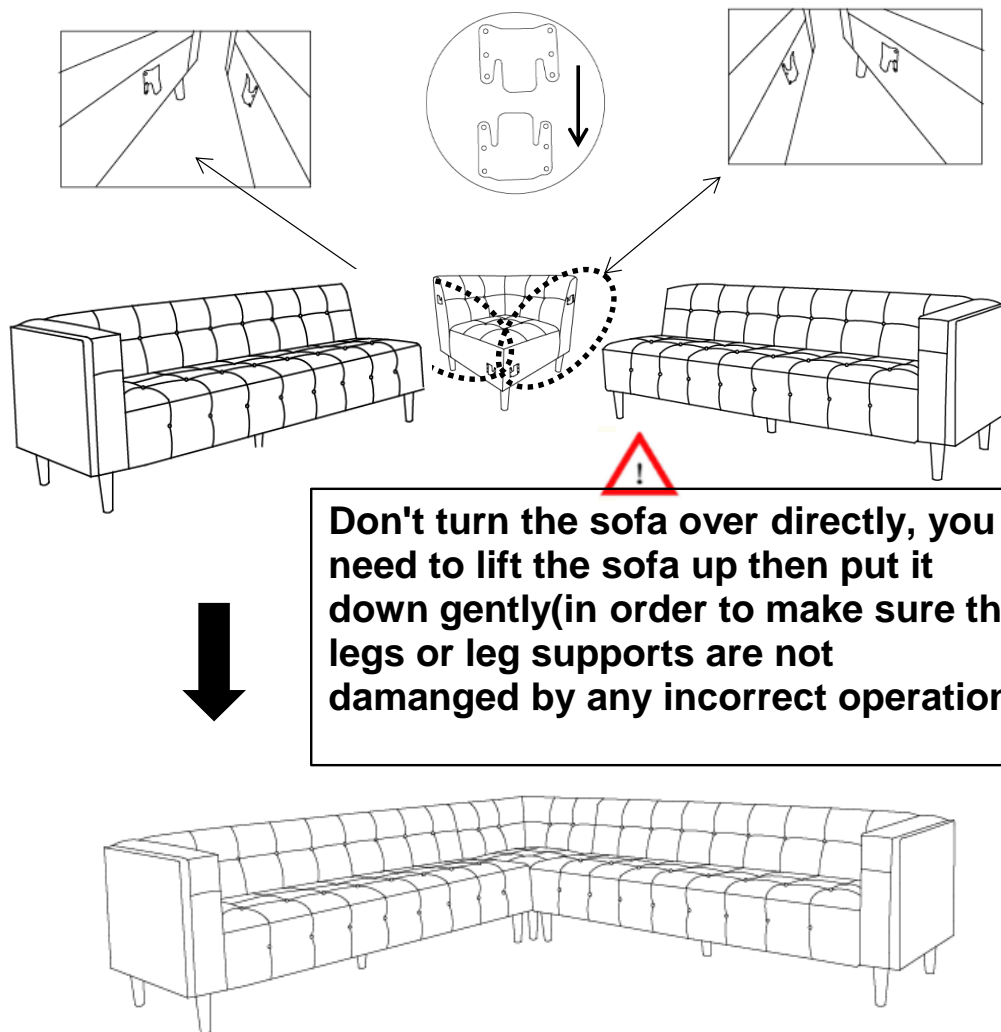


Install the Wood Legs(H) onto the bottom of the Corner Base by placing one Gasket(①) on the threaded stem.

Tighten by turning the Leg clockwise.

Note: The use of Gaskets are OPTIONAL and are especially useful to help alleviate slight wobbles. Some Legs may need more than one Gasket whilst some Legs may not need any.

Step 14

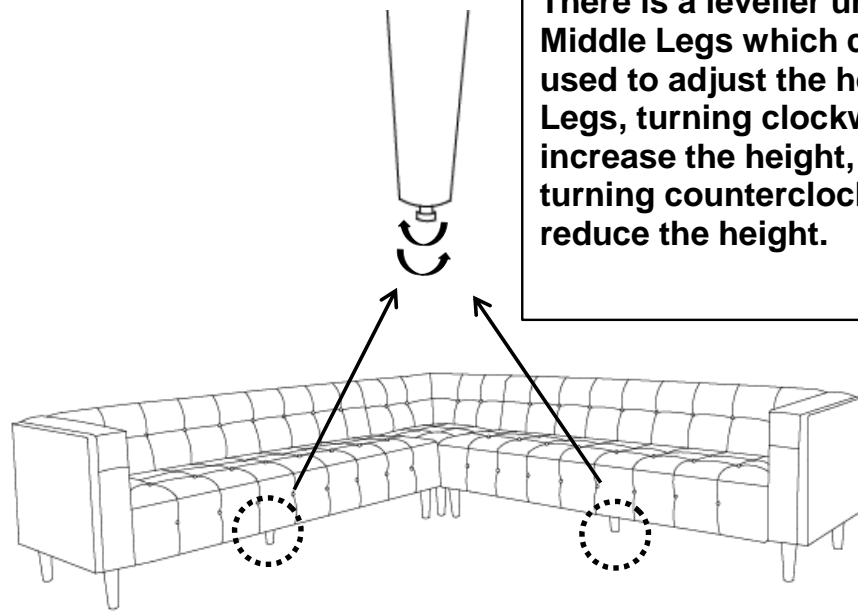


Connect the Metal Brackets on the right side of Left Sofa, both sides of the Corner and left side of the Right sofa as pictured above.

Your Sectional Sofa is ready for use.

This Sectional Sofa can only be used on a flat, level surface.











Step 15



There is a leveller under the Middle Legs which can be used to adjust the height of Legs, turning clockwise to increase the height, or by turning counterclockwise to reduce the height.

Note: If the sofa is unstable, you can adjust the levellers under the Middle Wooden Leg with Plastic Gasket(I) to make it stable.

Care & Maintenance

	<ul style="list-style-type: none">● Furniture may scratch floors. We recommend using furniture pads to protect your floors.
	<ul style="list-style-type: none">● Do not put hot items directly on furniture surface.
	<ul style="list-style-type: none">● Do not clean furniture with harsh cleansers or polish.
	<ul style="list-style-type: none">● Do not place furniture under direct sunlight.
	<ul style="list-style-type: none">● Do not place furniture near heating or cooling vents.
	<ul style="list-style-type: none">● Do not write on furniture without a padded barrier to protect the surface.
	<ul style="list-style-type: none">● Do not place furniture outside . For indoor use only.
	<ul style="list-style-type: none">● Not for commercial use. For residential use only.
	<ul style="list-style-type: none">● Stains may be removed with mild soap solution and damp cloth.
	<ul style="list-style-type: none">● Children should not climb or jump on the furniture.
	<ul style="list-style-type: none">● Dust and pick-up spills using a clean, non-colored, lint-free cloth.