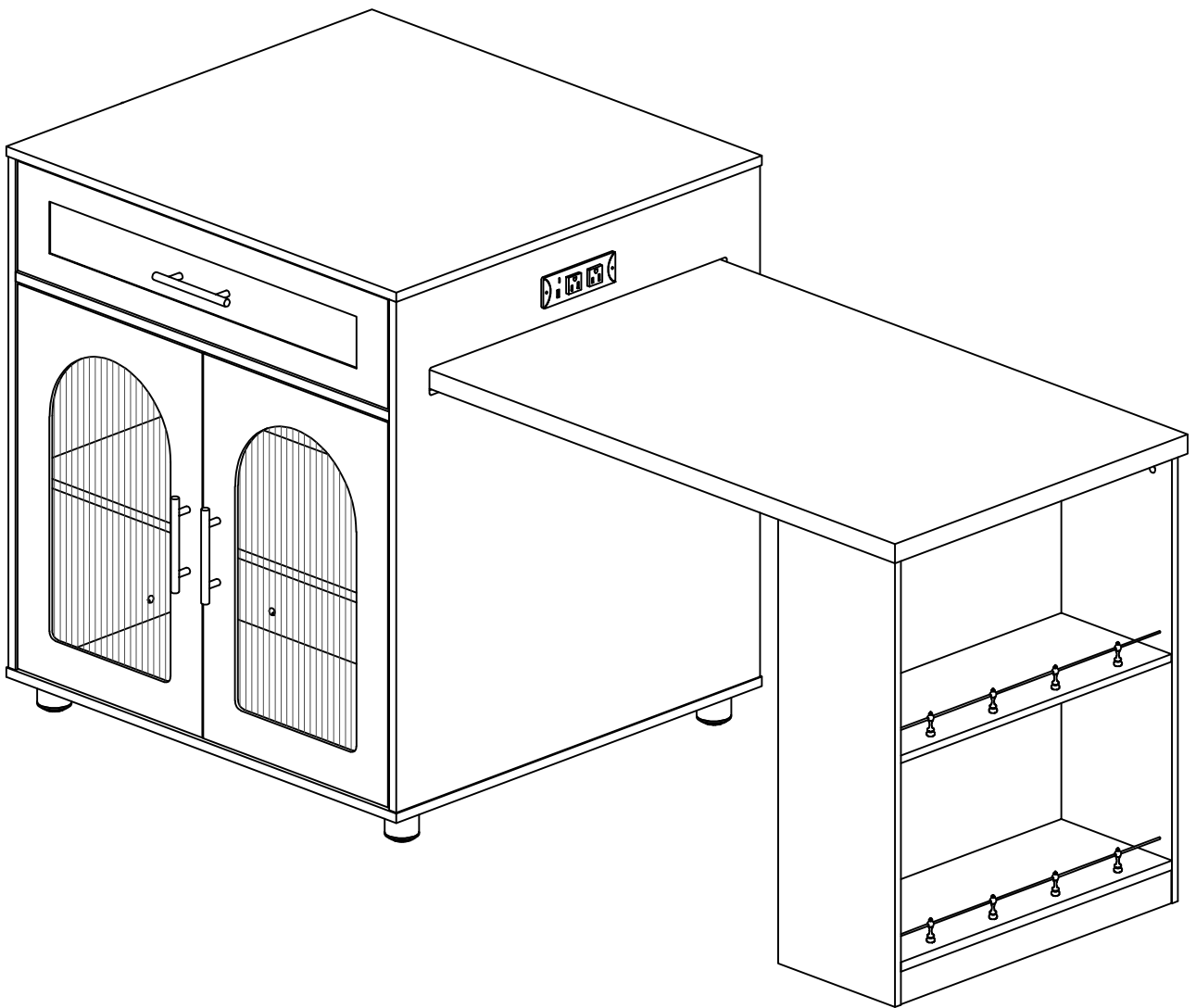
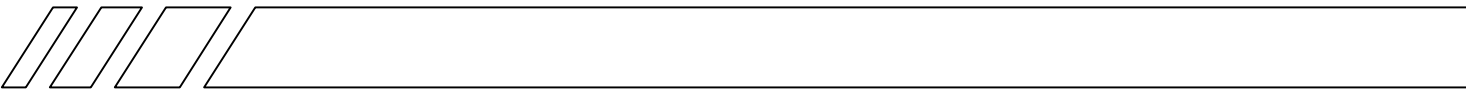
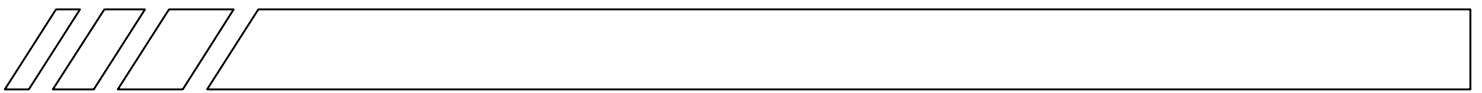








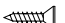
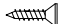
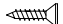








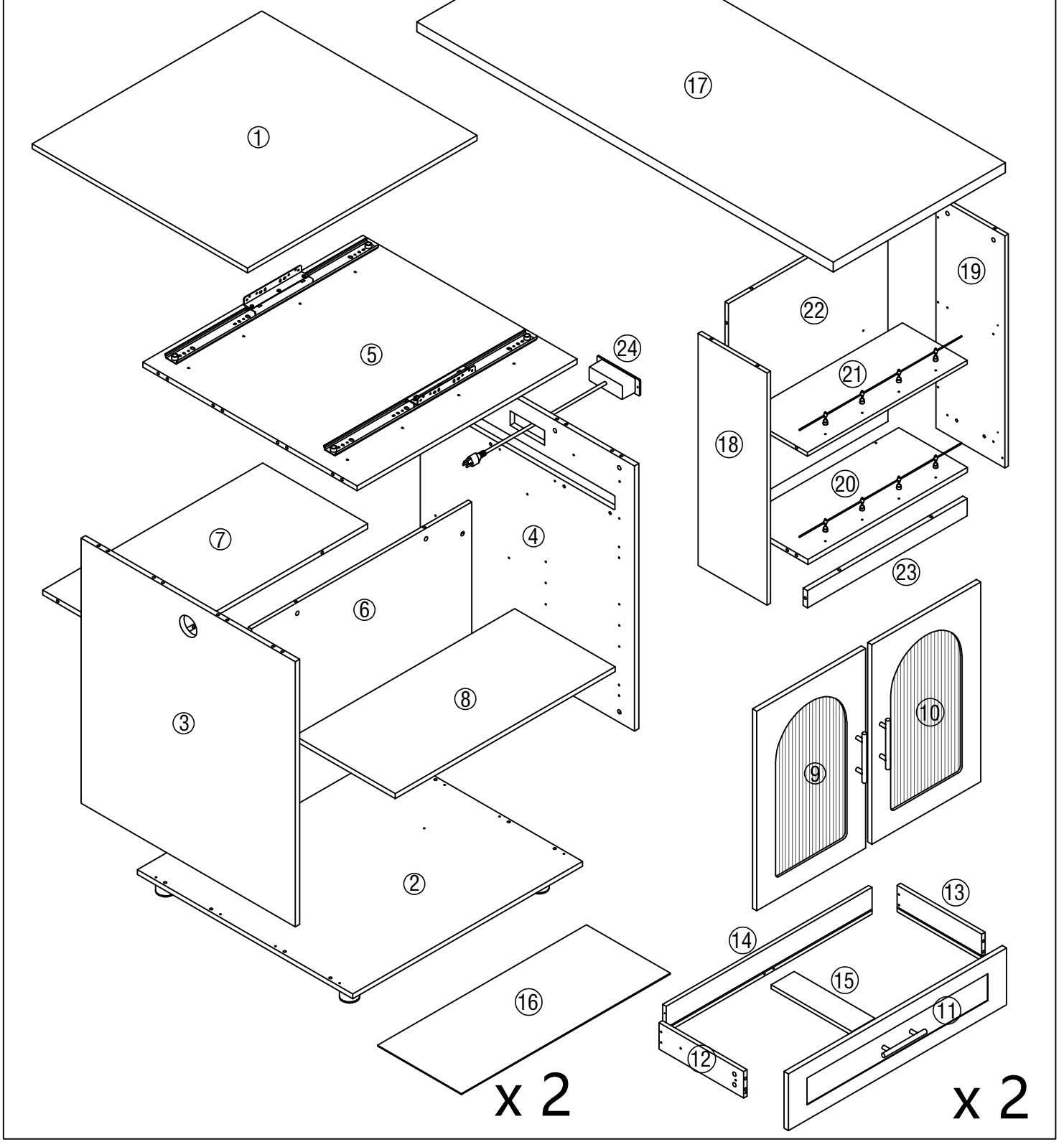
# Installation & Assembly

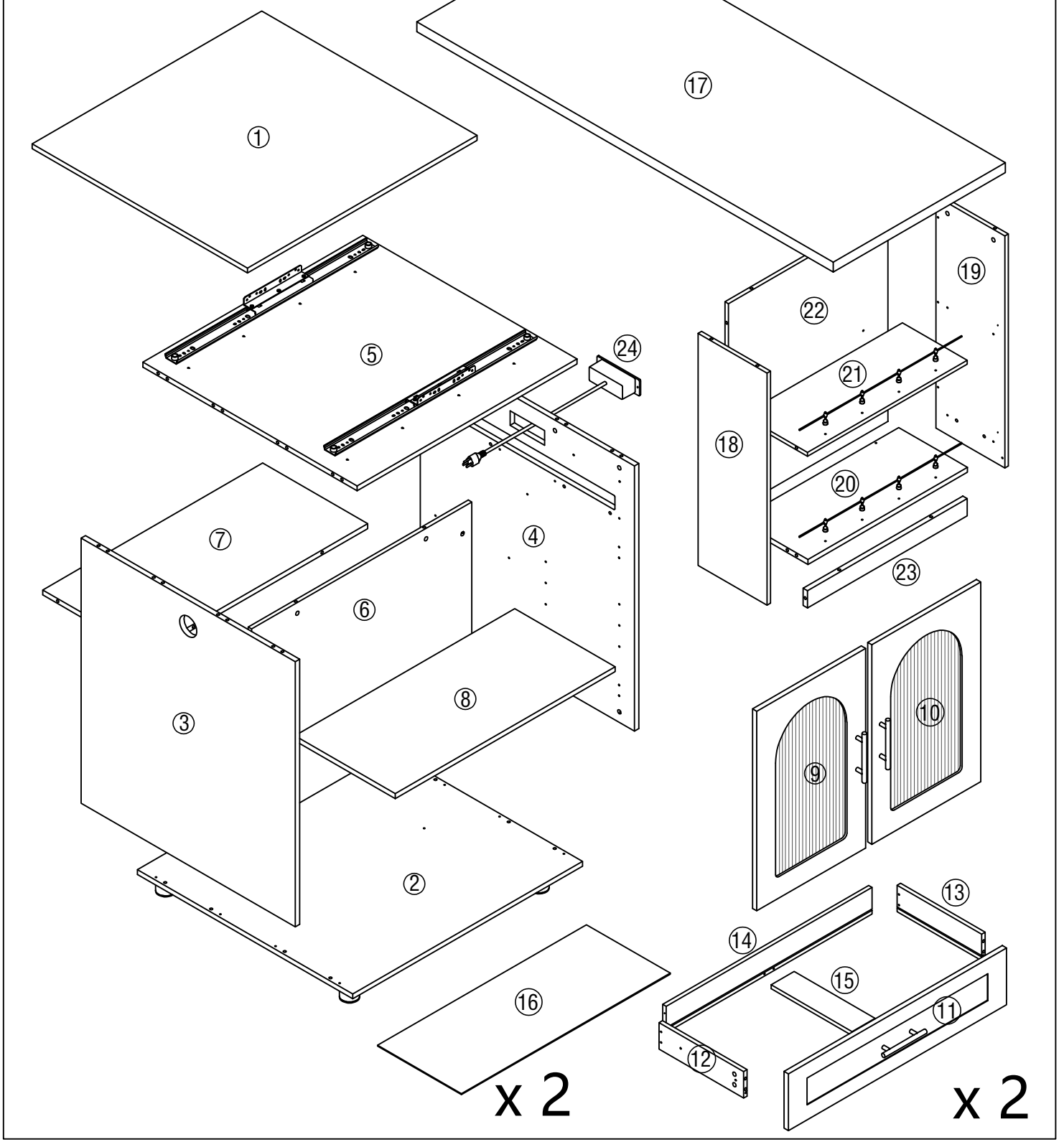




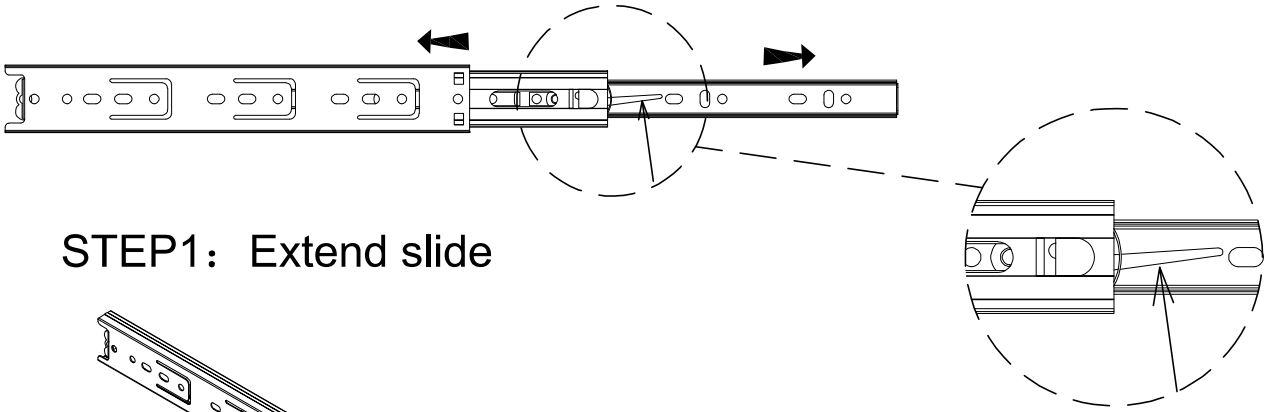
<p>①</p> <p>X 1</p>	<p>②</p> <p>X 1</p>	<p>③</p> <p>X 1</p>	<p>④</p> <p>X 1</p>
<p>⑤</p> <p>X 1</p>	<p>⑥</p> <p>X 1</p>	<p>⑦</p> <p>X 1</p>	<p>⑧</p> <p>X 1</p>
<p>⑨</p> <p>X 1</p>	<p>⑩</p> <p>X 1</p>	<p>⑪</p> <p>X 2</p>	<p>⑫</p> <p>left</p> <p>X 2</p>
<p>⑬</p> <p>right</p> <p>X 2</p>	<p>⑭</p> <p>X 2</p>	<p>⑮</p> <p>X 2</p>	<p>⑯</p> <p>X 2</p>
<p>⑰</p> <p>X 1</p>	<p>⑱</p> <p>X 1</p>	<p>⑲</p> <p>X 1</p>	<p>⑳</p> <p>X 1</p>
<p>㉑</p> <p>X 1</p>	<p>㉒</p> <p>X 1</p>	<p>㉓</p> <p>X 1</p>	<p>㉔</p> <p>X 1</p>



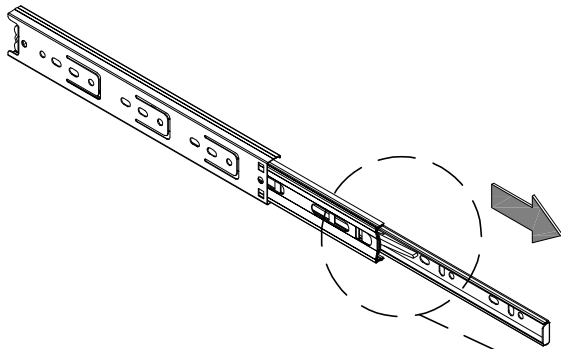
<b>A</b> $\phi 12 \times 10$  X 82	<b>B</b> $\phi 7 \times 40$  X 82	<b>C</b> $\phi 8 \times 40$  X 28	<b>D</b> M5*40  X 8	<b>E</b> 96mm  X 4	<b>F</b> M4*20  X 16	<b>G</b> M3.5*12  X 18
<b>H</b> M4*14  X 60	<b>J</b> M5*16  X 8	<b>K</b>  X 4	<b>L</b> 10"  X 2	<b>M</b> 28"  X 1	<b>N</b>  X 4	<b>P</b>  X 8
<b>Q</b> $\phi 3 \times 566\text{mm}$  X 2	<b>R</b> H=50mm  X 5	<b>S</b> H=60mm  X 2				



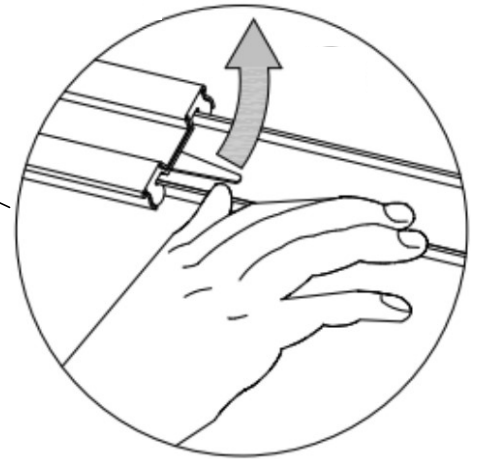
Slides Must Be Separated Before Assembly,  
After Separated, Set Aside Until Needed for Assembly.



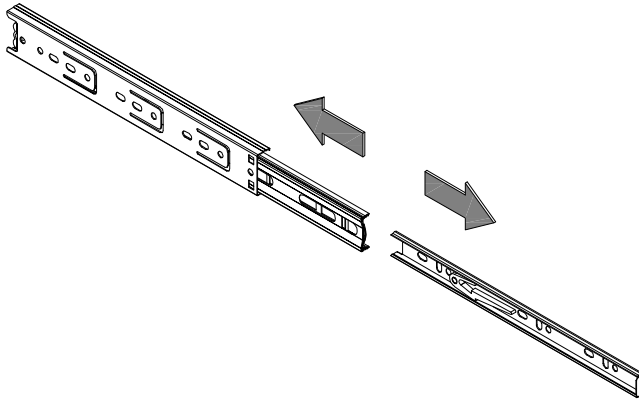
STEP1: Extend slide



STEP2: Push Lever UP

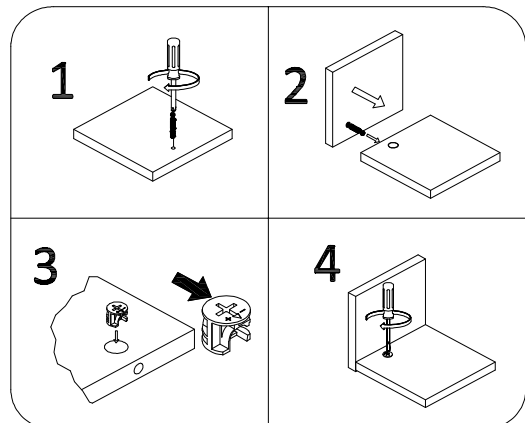
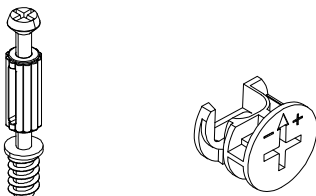


STEP3: Remove Runner



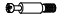
### Cam Lock Fastening System

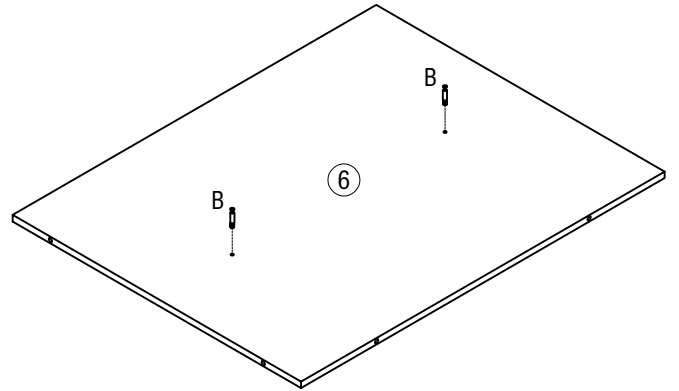
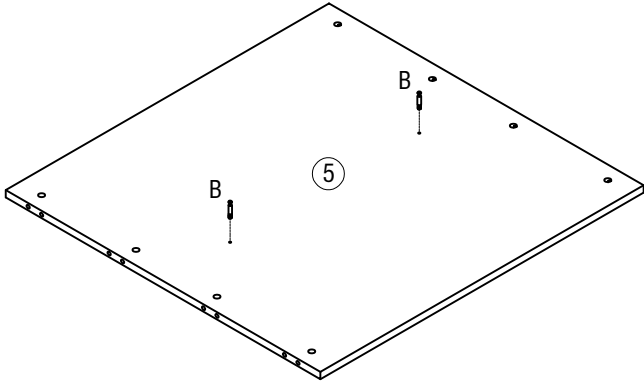
This Cam Lock Fastening System will be used throughout the assembly process




# Installation Steps

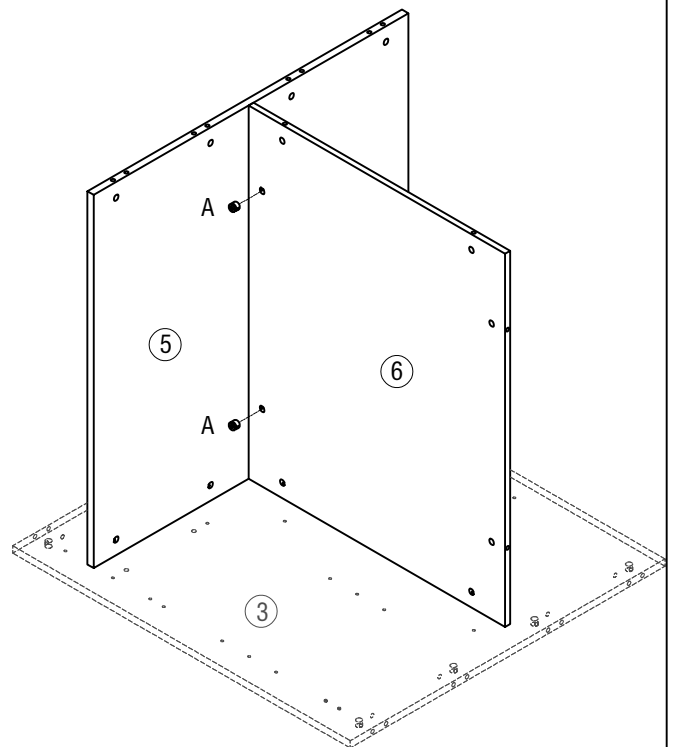
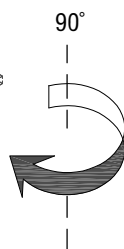
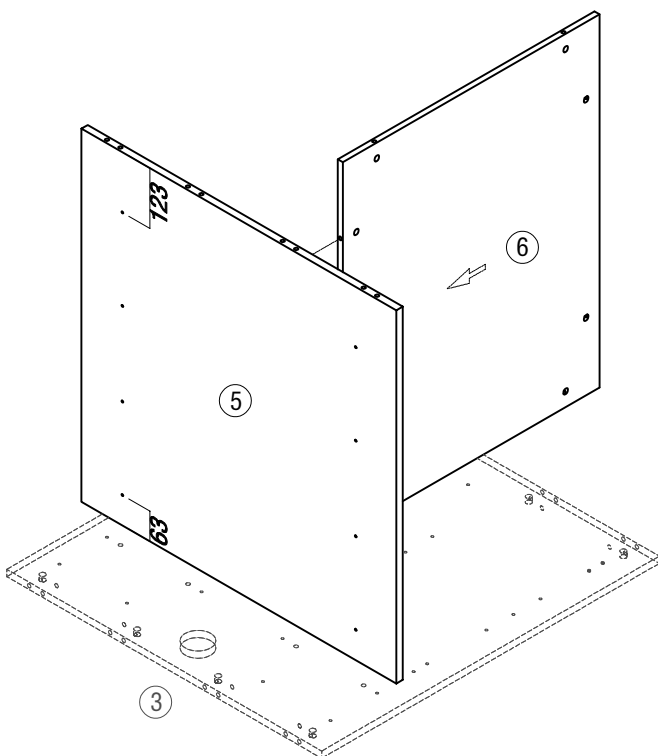
1 ▷

B  $\phi 7 \times 40$   
  
X 4




2 ▷

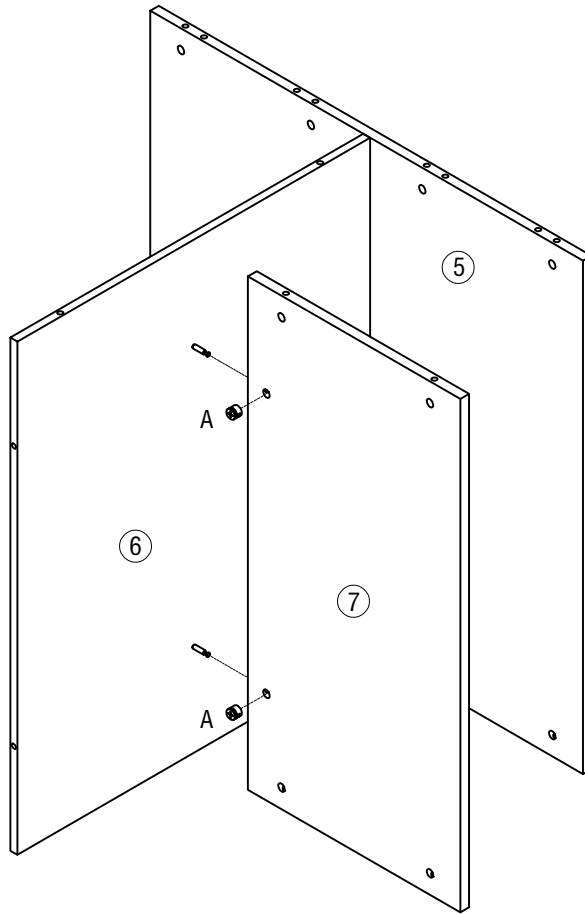
A  $\phi 12 \times 10$   
  
X 2



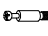
# Installation Steps


3 ▷

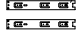
A  $\phi 12 \times 10$   
  
 X 2

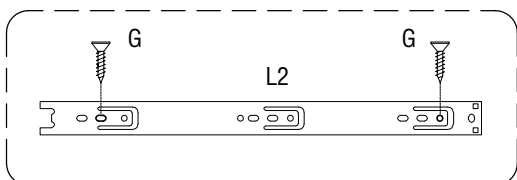


4 ▷

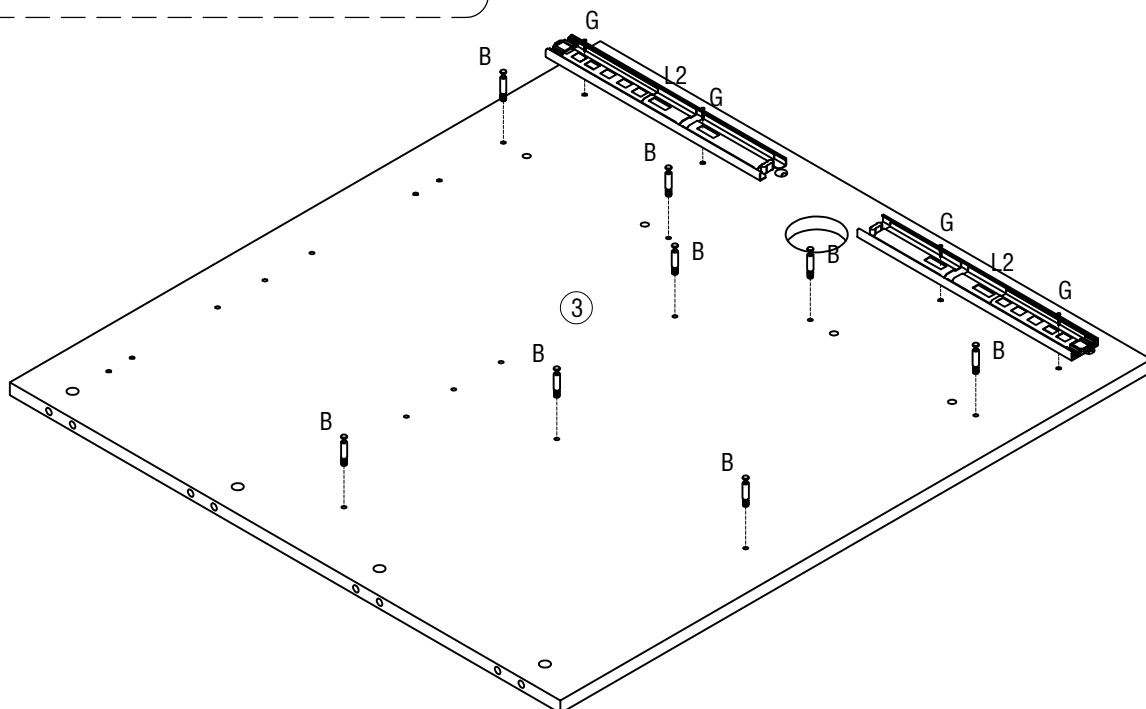
B  $\phi 7 \times 40$   
  
 X 8

G M3.5\*12  
  
 X 4

L 10"  
  
 X 2





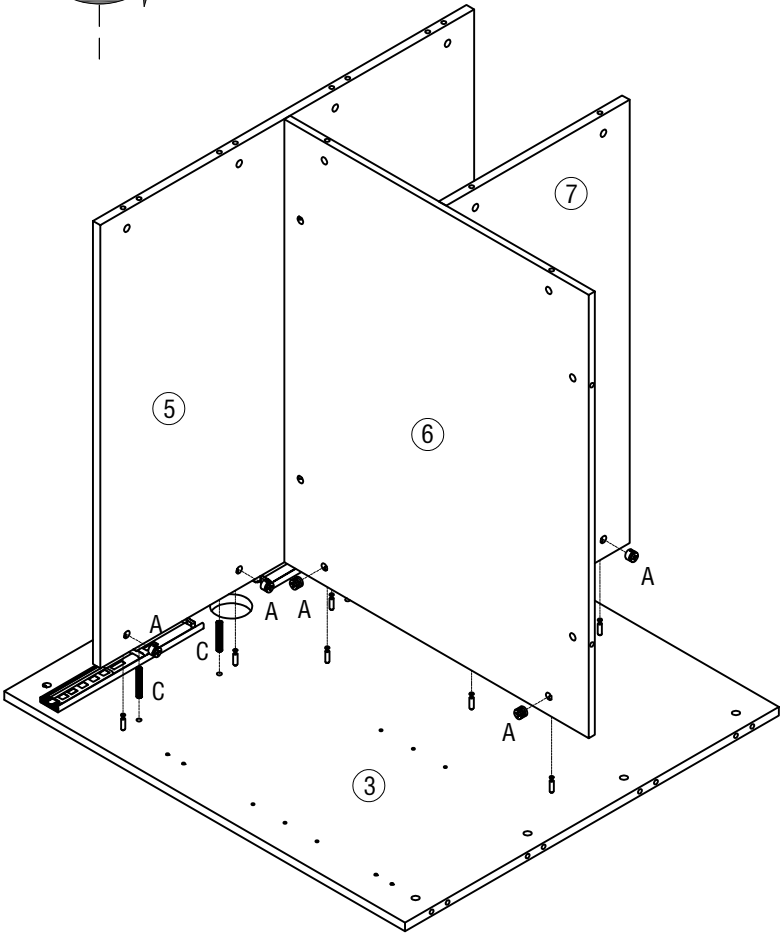
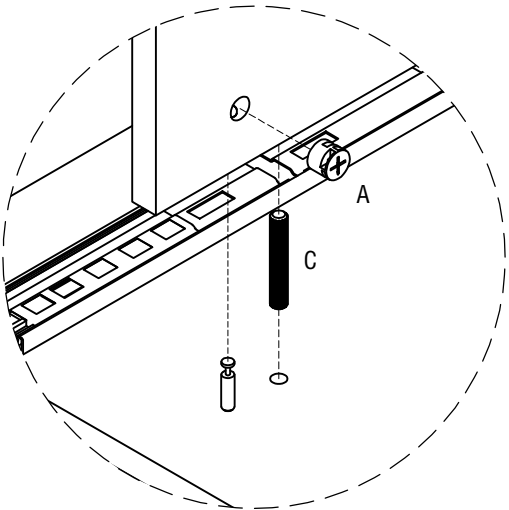
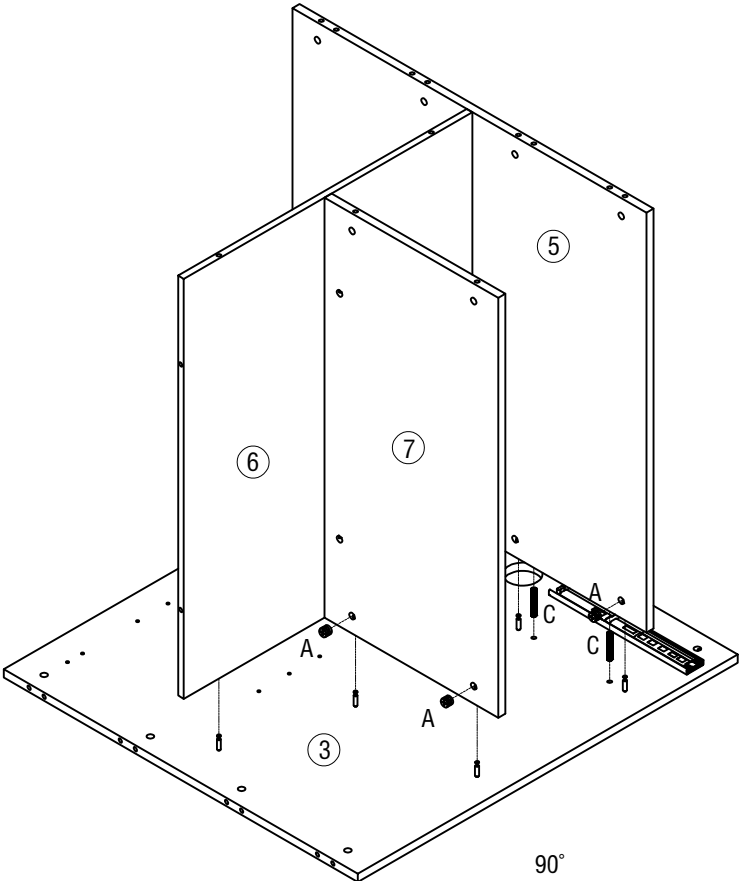
Note: When installing the track, first screw the front screws to fix the track, and then lock the rear screws.



# Installation Steps






5 ▶

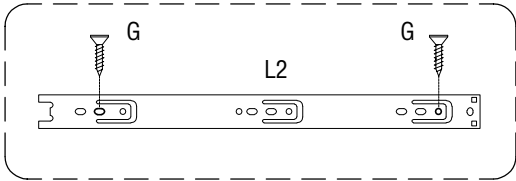
<b>A</b>	Ø12*10  X 8	<b>C</b>	Ø8*40  X 4
----------	--	----------	---



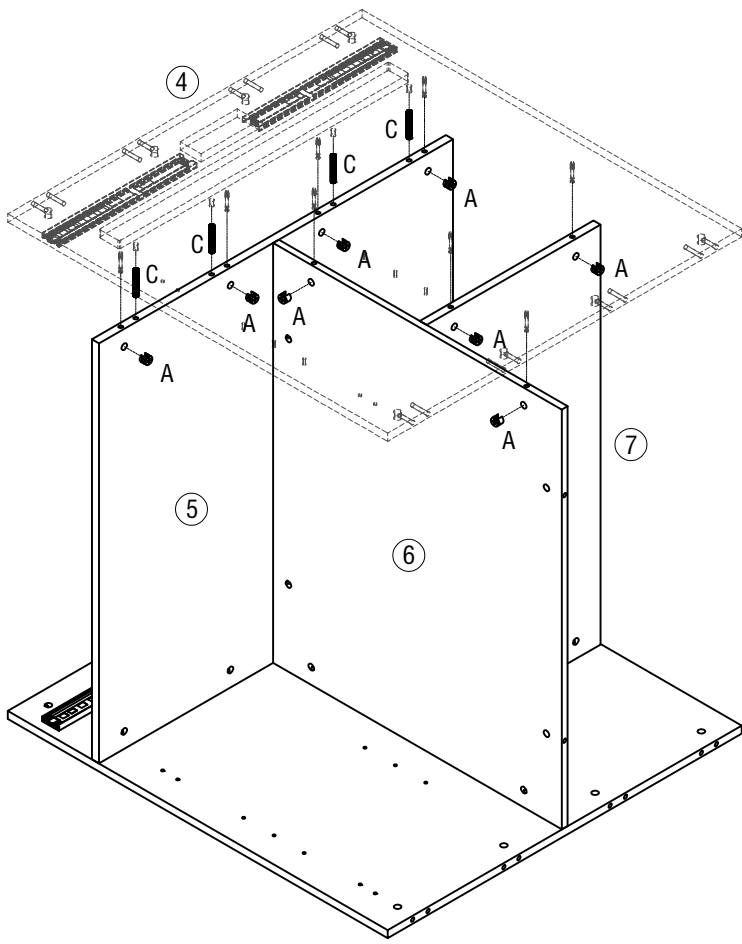
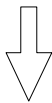
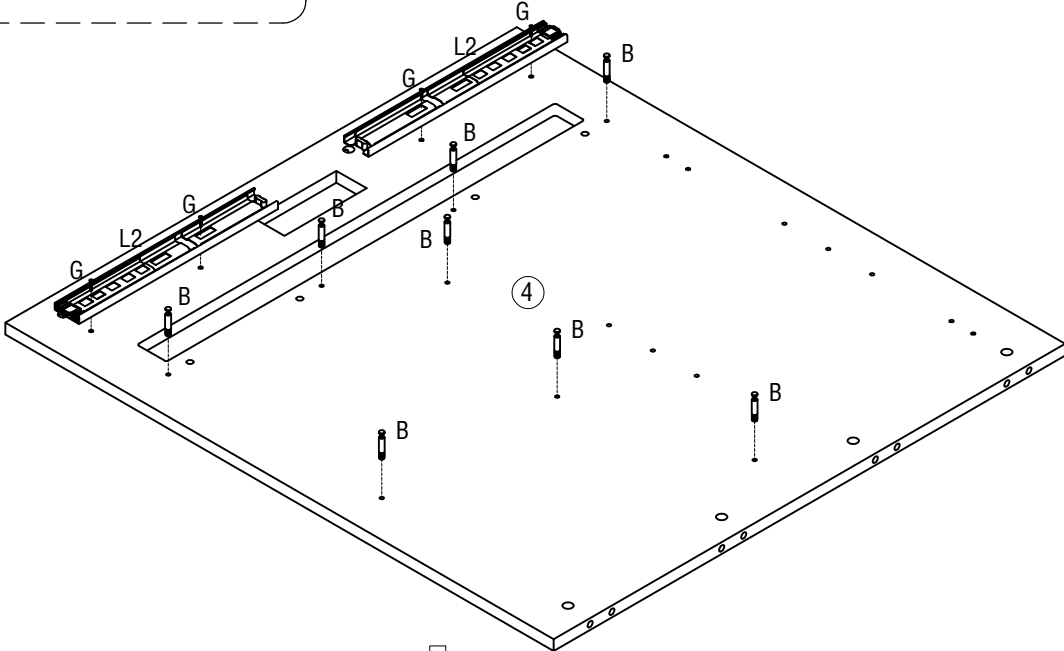
# Installation Steps

6 ▶

<b>A</b> $\phi 12 \times 10$  X 8	<b>B</b> $\phi 7 \times 40$  X 8	<b>C</b> $\phi 8 \times 40$  X 4	<b>G</b> M3.5*12  X 4	<b>L</b> 10° L2  X 2
--	---	---	--	---

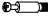




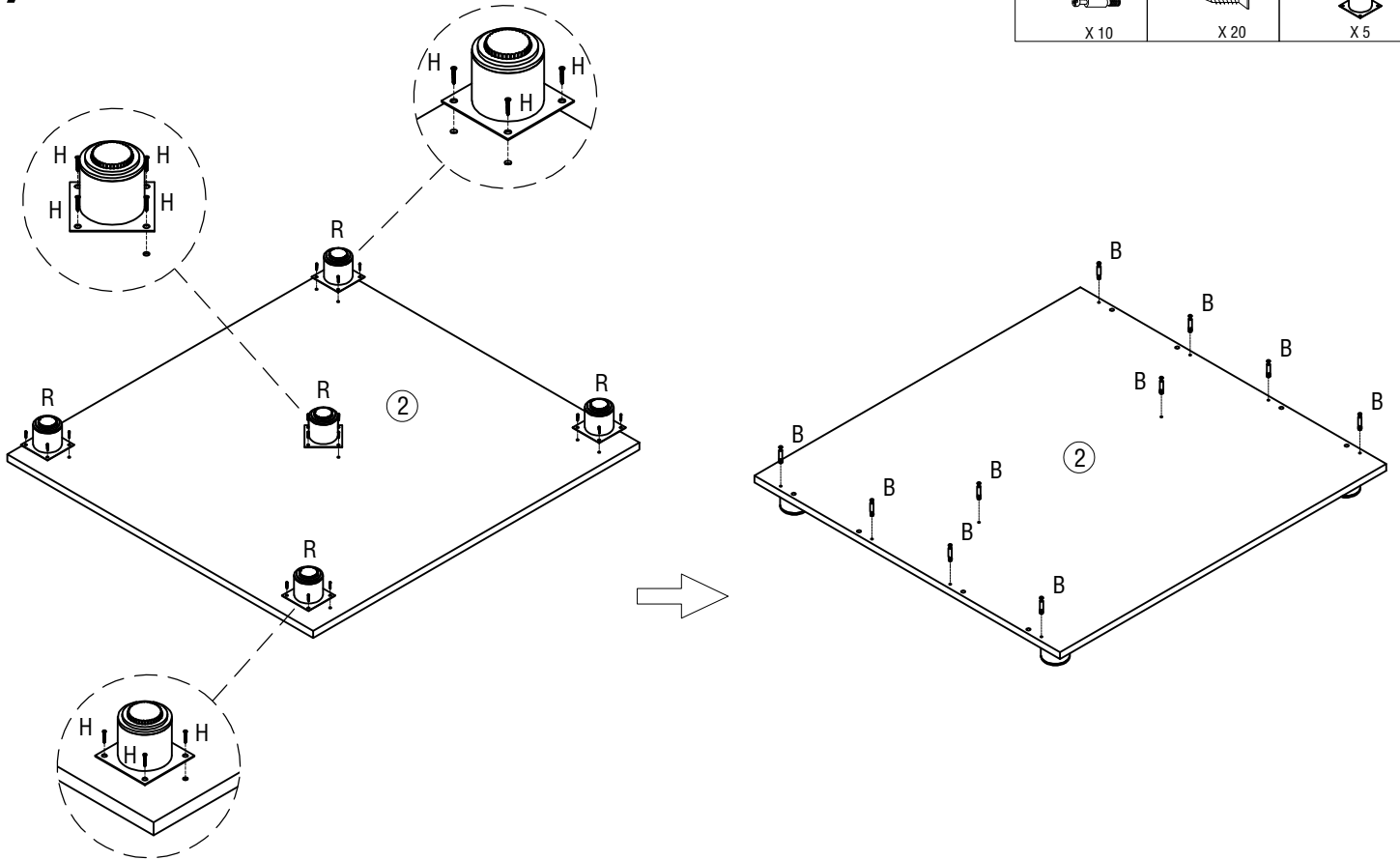
Note: When installing the track, first screw the front screws to fix the track, and then lock the rear screws.





# Installation Steps

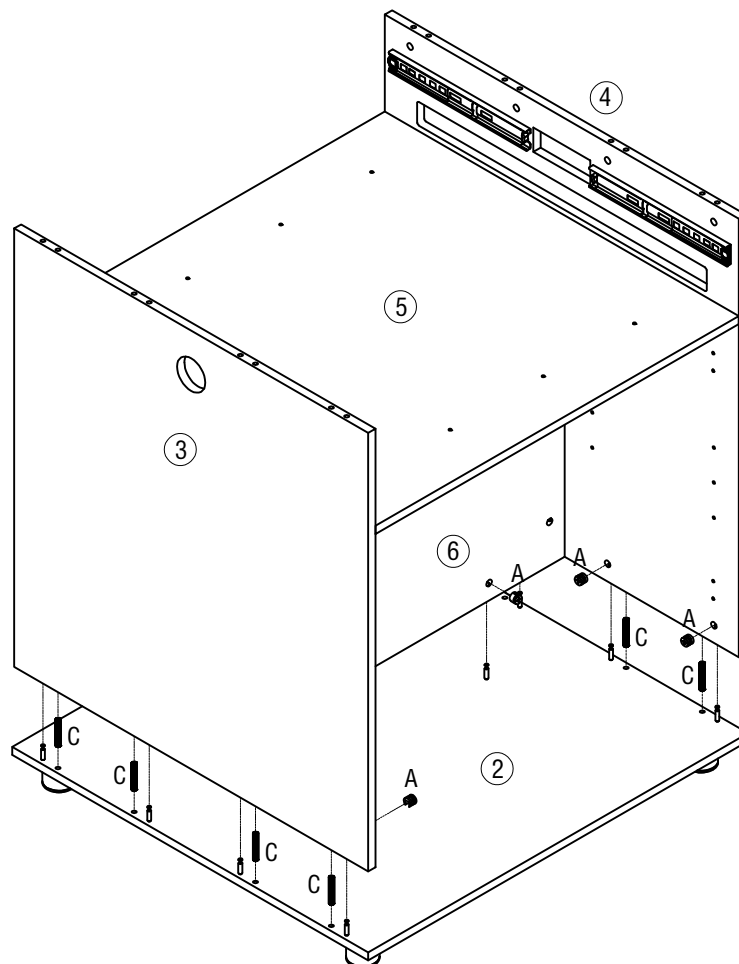
7 ▶

<b>B</b>	$\phi 7 \times 40$	<b>H</b>	M4*14	<b>R</b>	H=50mm
					
	X 10		X 20		X 5





8 ▶

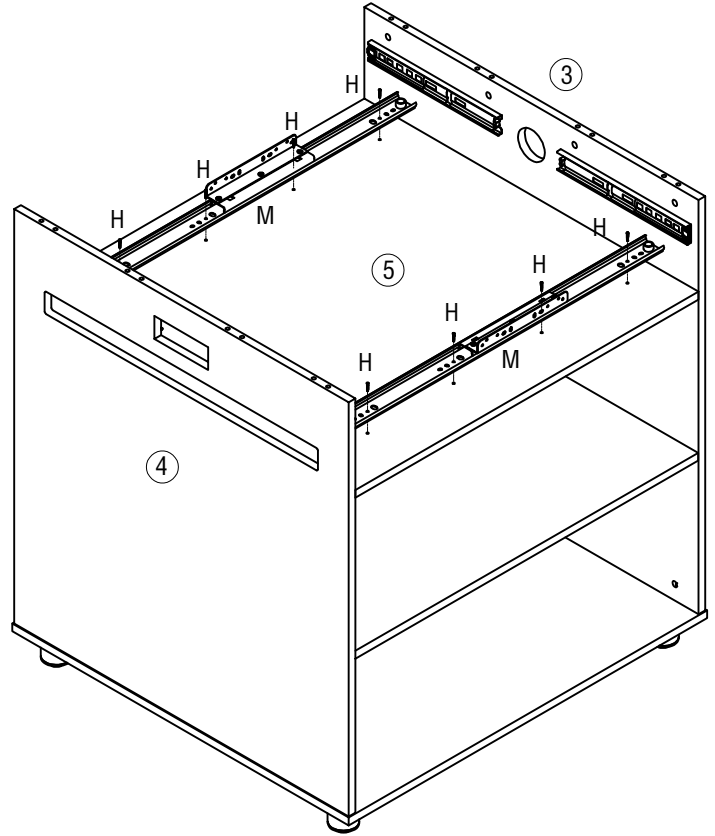
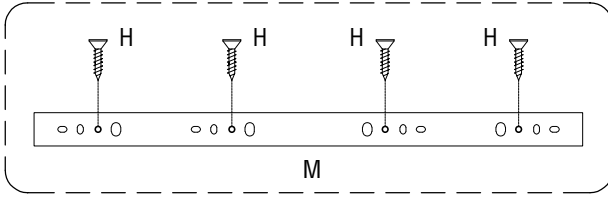
<b>A</b>	$\phi 12 \times 10$	<b>C</b>	$\phi 8 \times 40$
			
	X 10		X 8



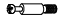
# Installation Steps

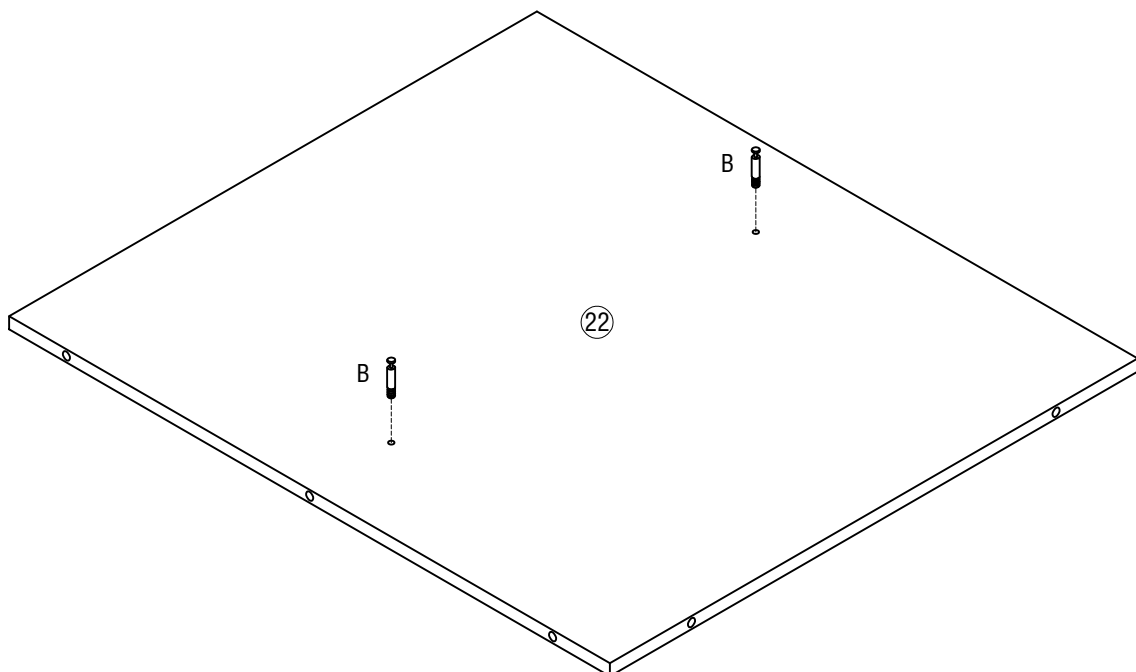
9 ▷

<b>H</b>	M4*14	<b>M</b>	28°
			
X 8		X 1	



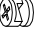
10 ▷

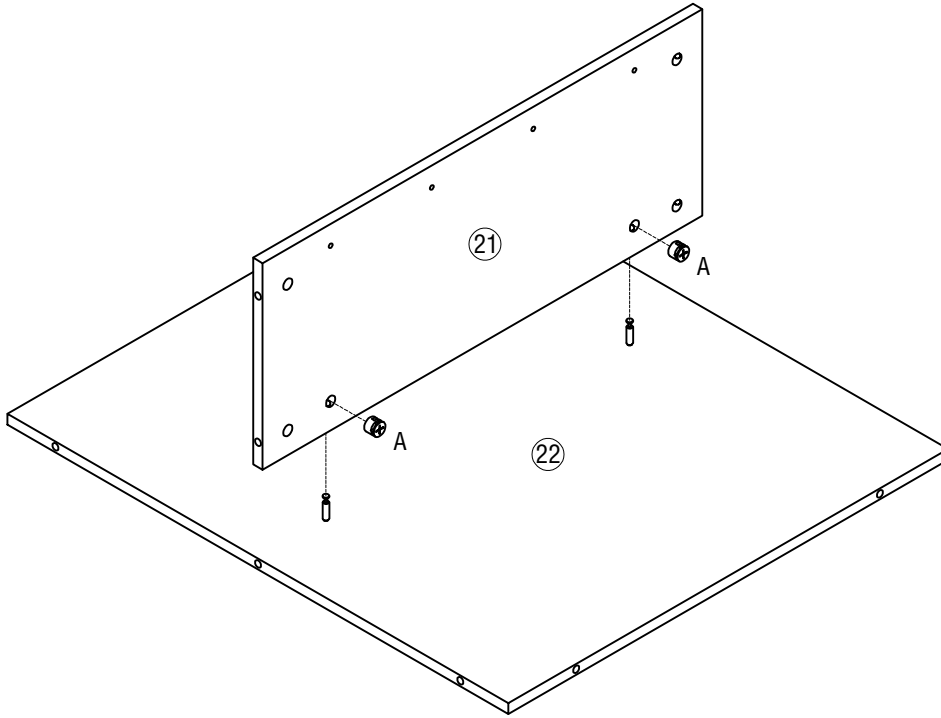
<b>B</b>	∅7*40
	
X 2	




# Installation Steps

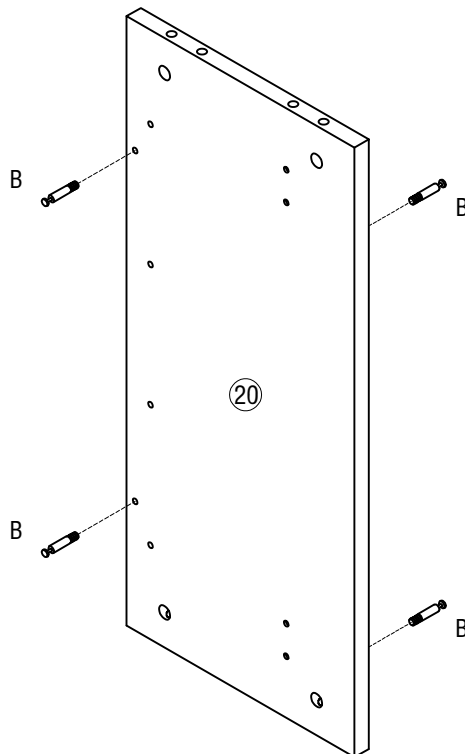
11 ▶

A  $\phi 12 \times 10$   
  
X 2




12 ▶

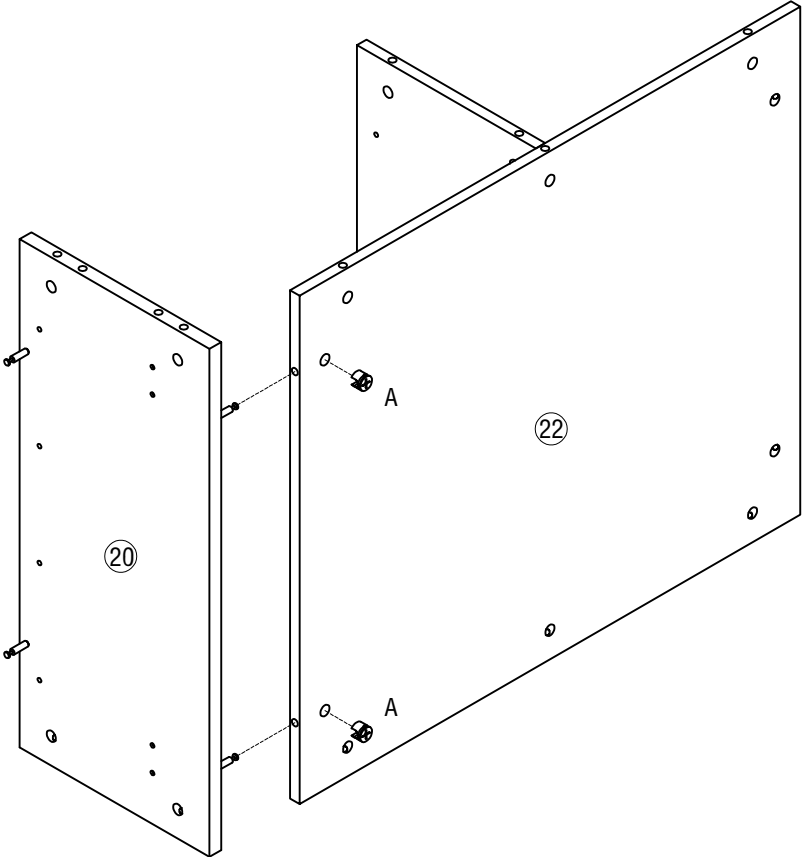
B  $\phi 7 \times 40$   
  
X 4




# Installation Steps


13 ▷

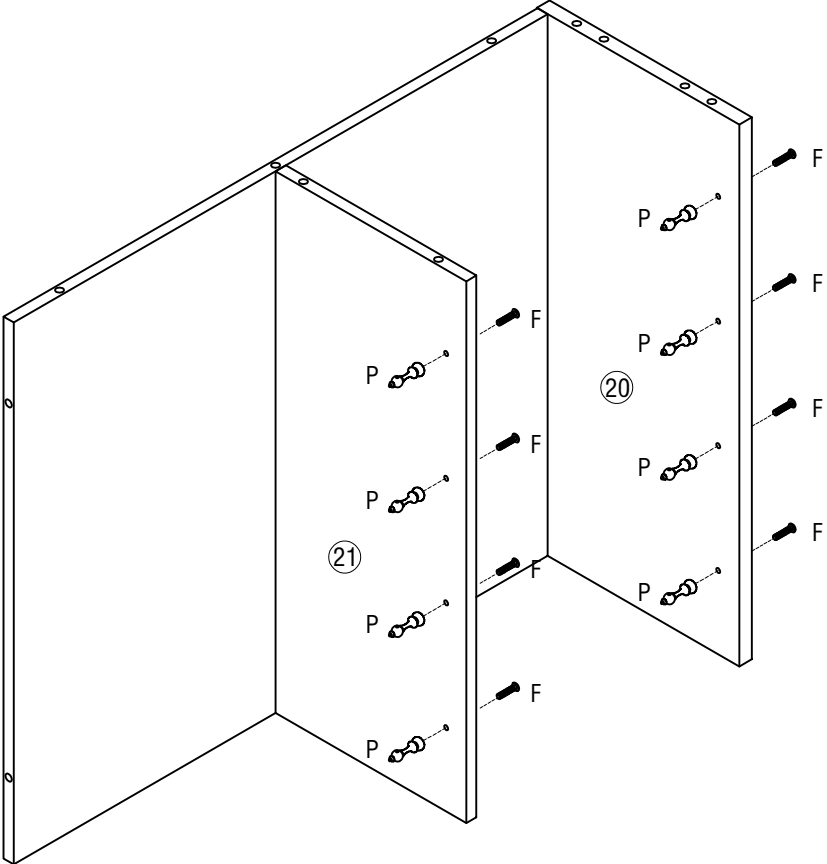
A  $\phi 12 \times 10$   
  
X 2



14 ▷

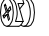
F  $\phi 4 \times 20$   
  
X 8

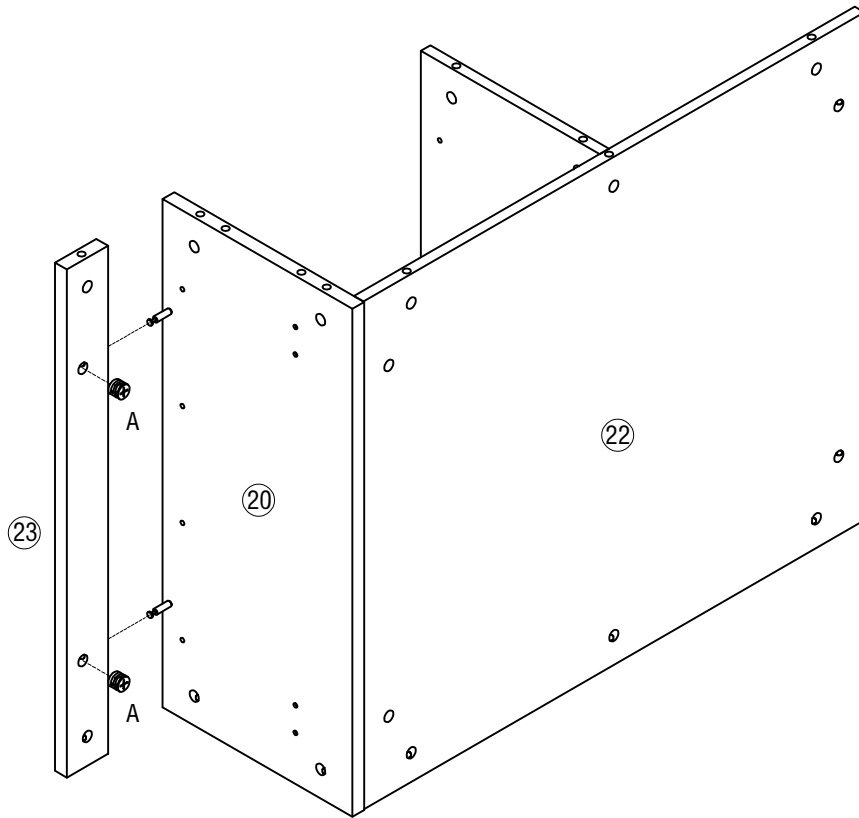
P   
X 8




# Installation Steps

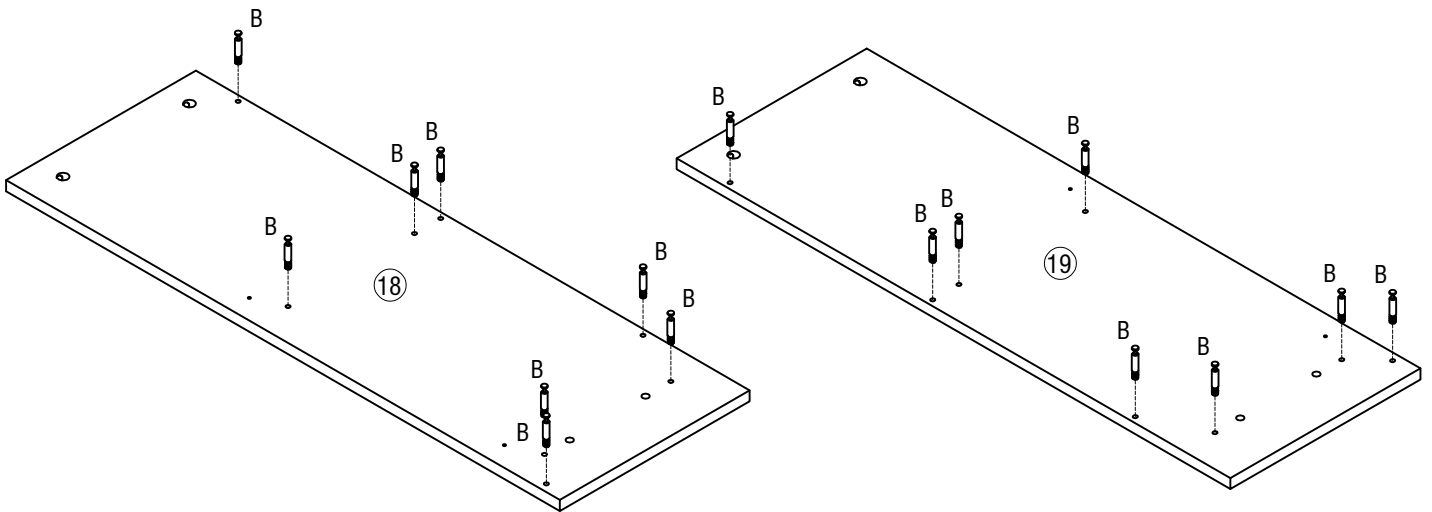
15 ▶

A  $\phi 12 \times 10$   
  
X 2





16 ▶

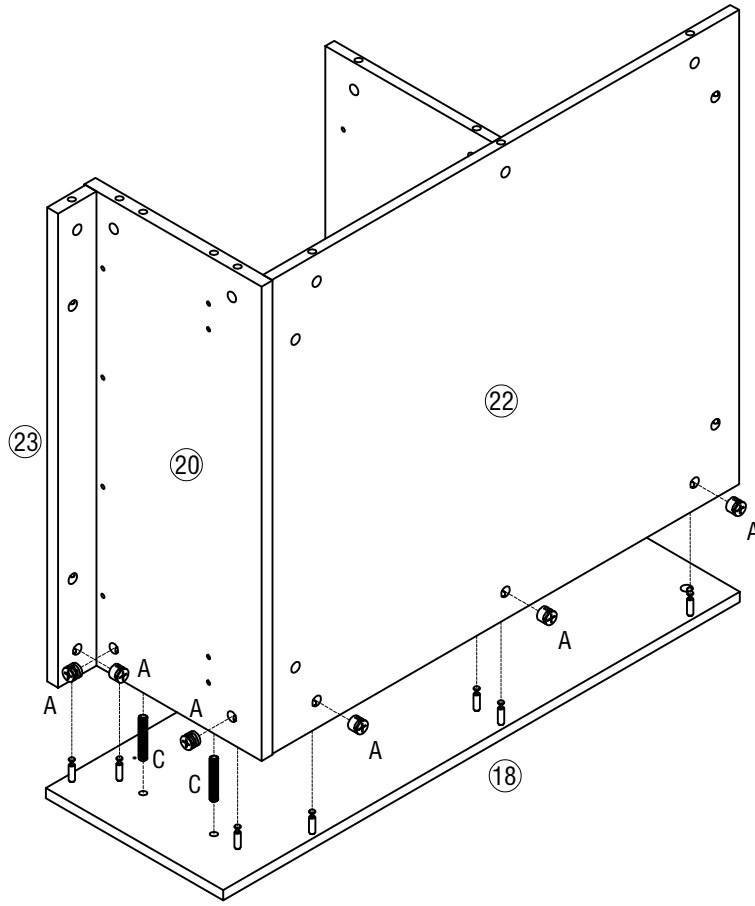
B  $\phi 7 \times 40$   
  
X 16




# Installation Steps

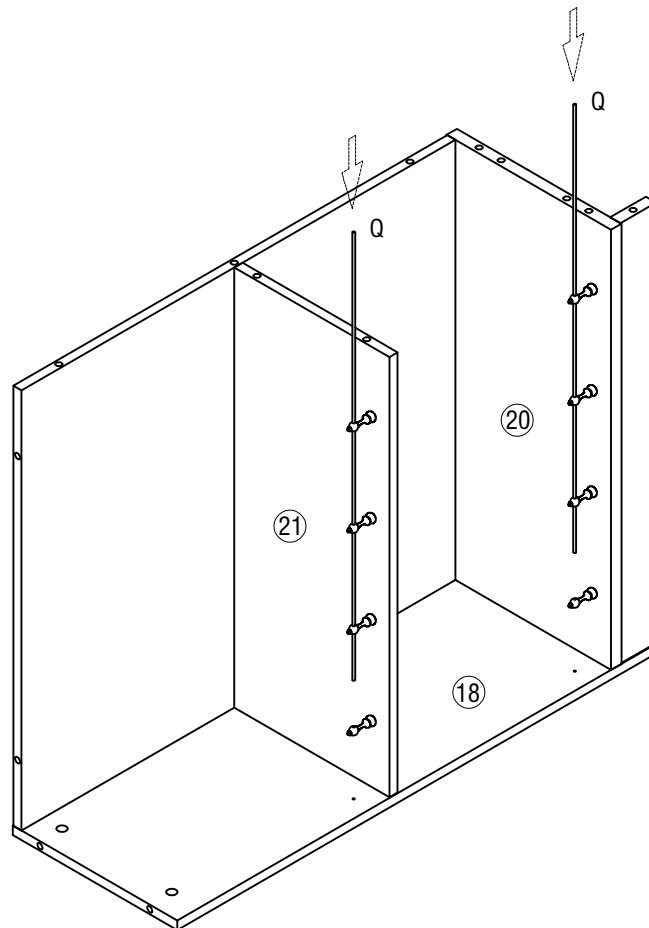
17 ▶

<b>A</b> $\phi 12 \times 10$  X 8	<b>C</b> $\phi 8 \times 40$  X 2
--	---



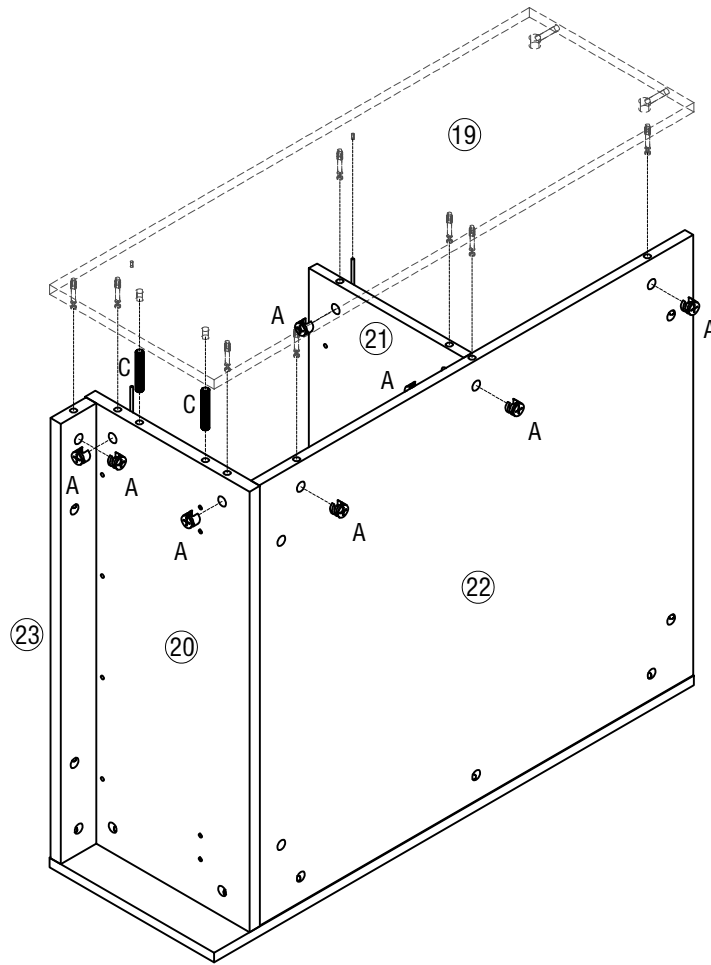
18 ▶



<b>Q</b> $\phi 3 \times 566$  X 2
--



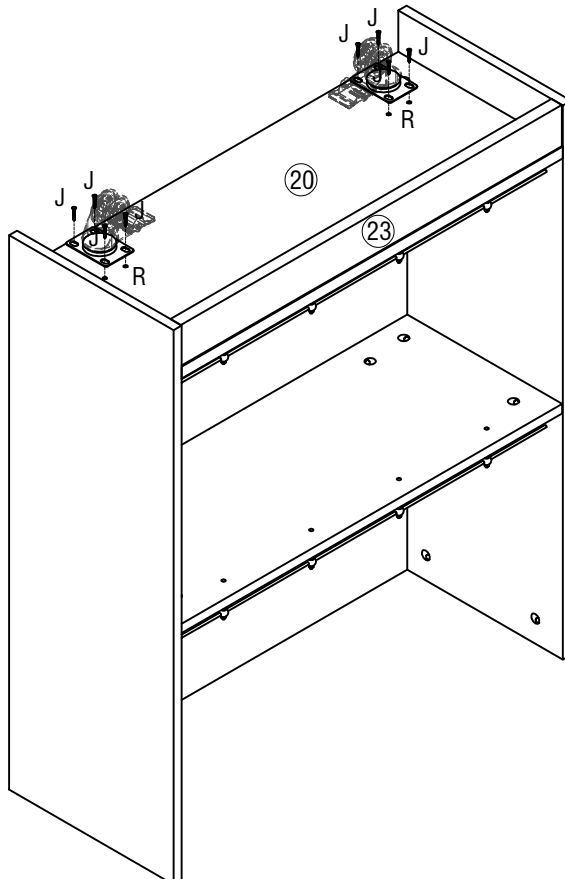
# Installation Steps

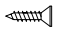

19 ▷

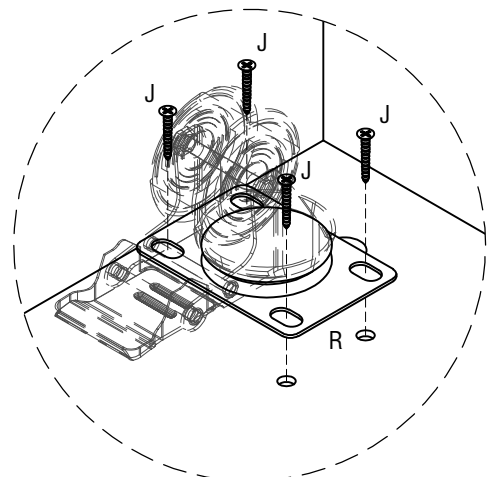


<b>A</b> $\phi 12 \times 10$  X 8	<b>C</b> $\phi 8 \times 40$  X 2
--	---

20 ▷


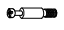


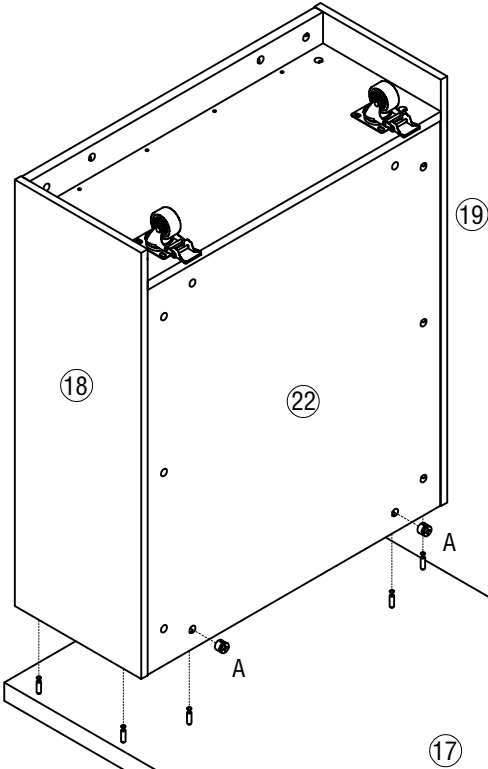
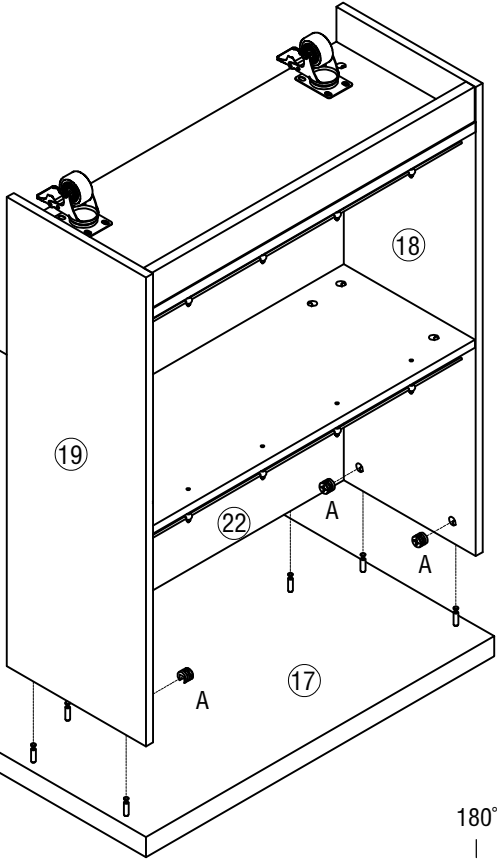
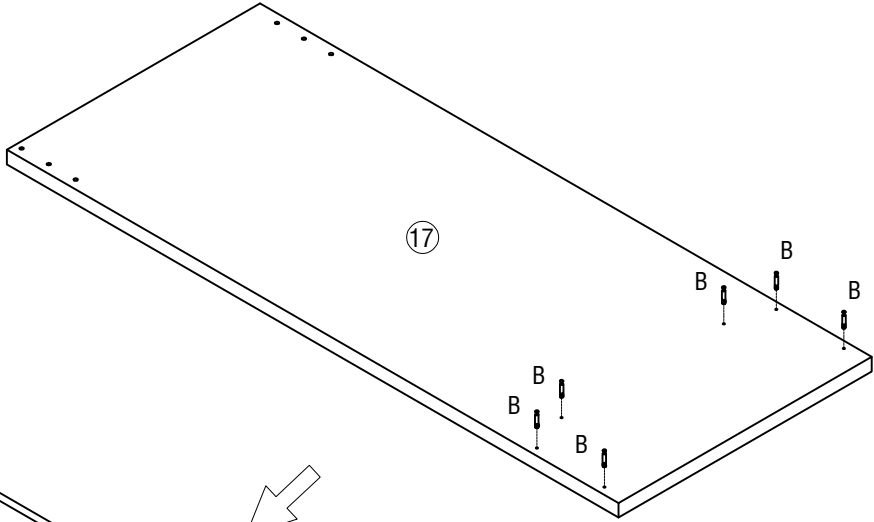
<b>J</b> M5*16  X 8	<b>R</b> H=60mm  X 2
--	---



# Installation Steps

21 ▷

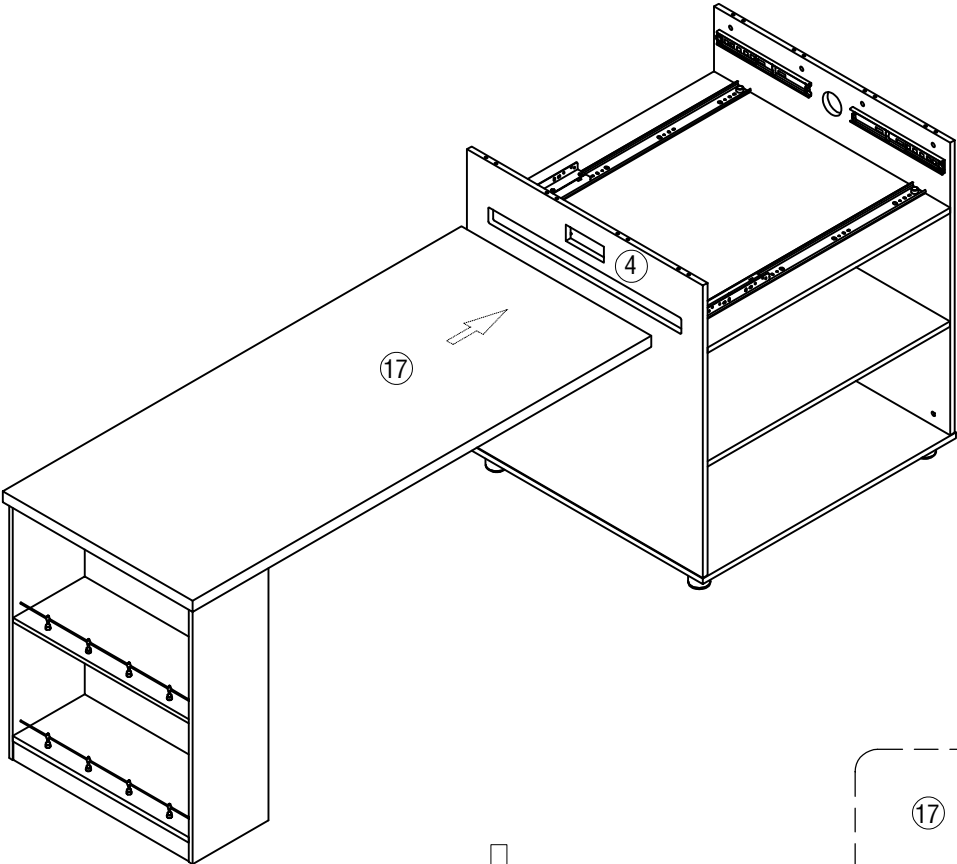
<b>A</b>	$\phi 12 \times 10$	<b>B</b>	$\phi 7 \times 40$
			
	X 6		X 6



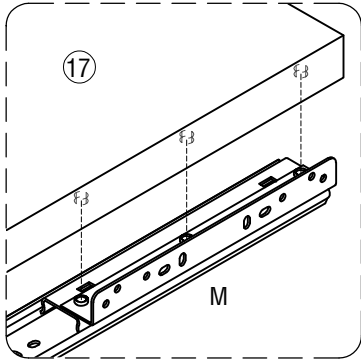
# Installation Steps

22 ▷

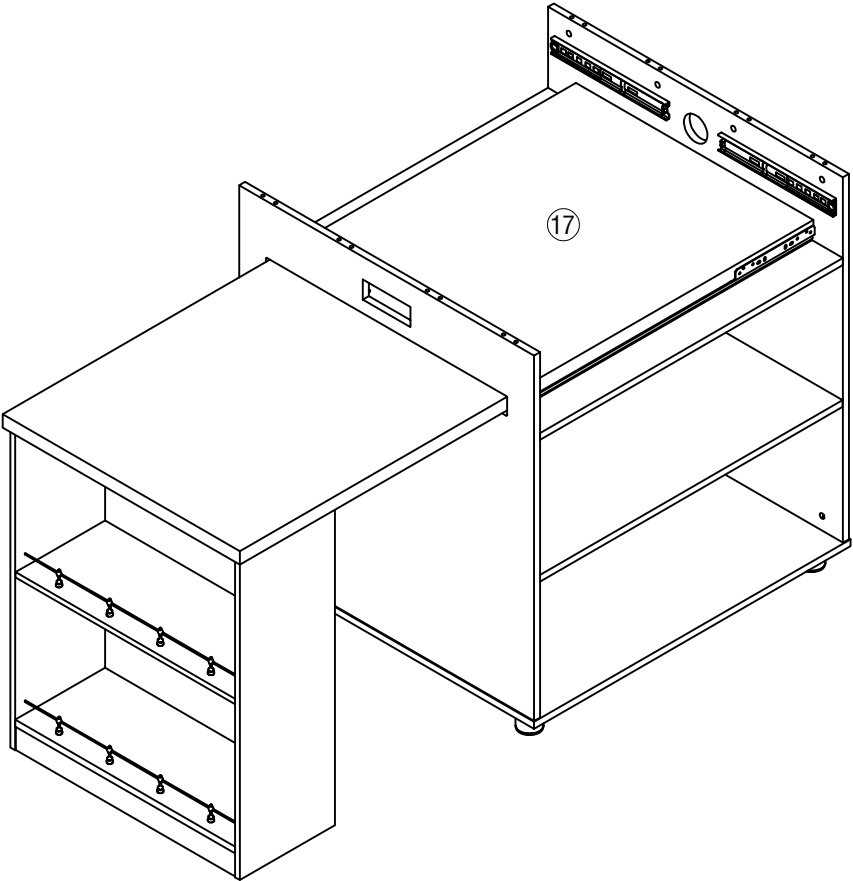
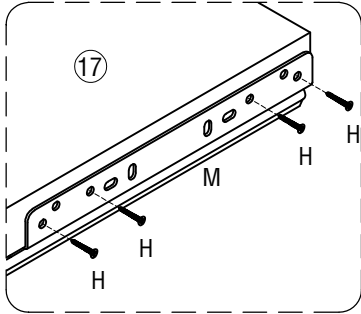
H M4\*14  
X 8



1



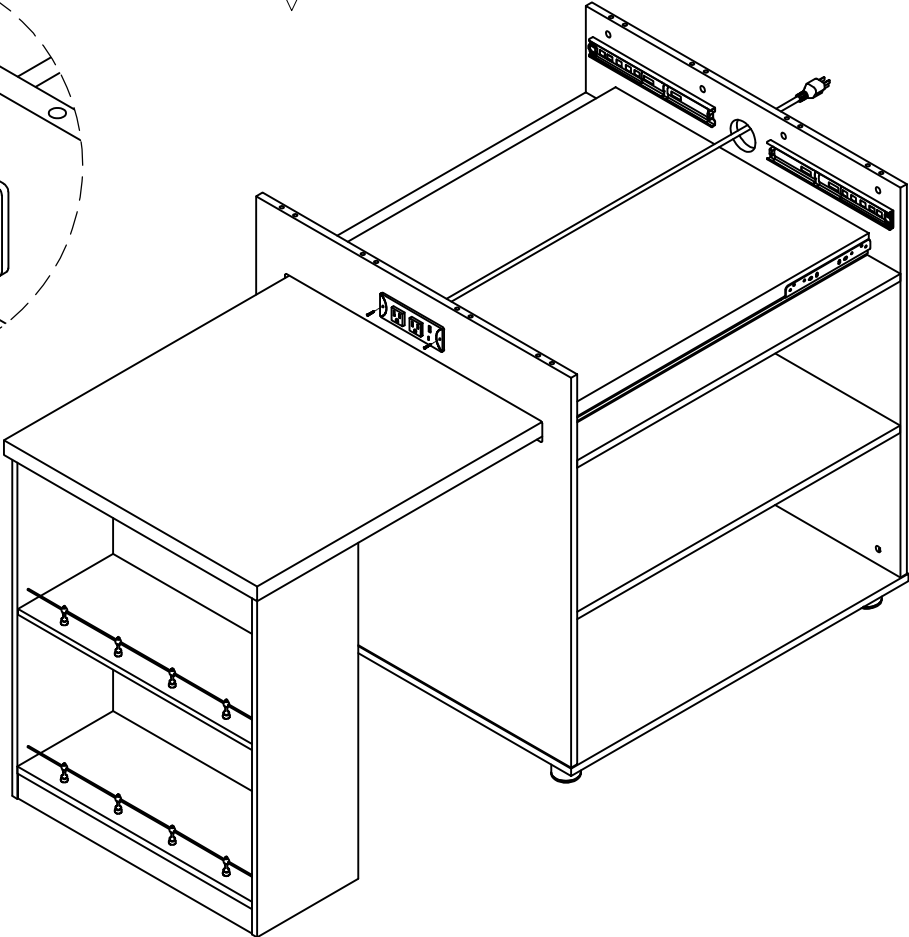
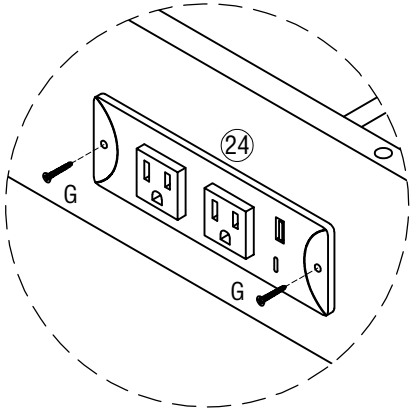
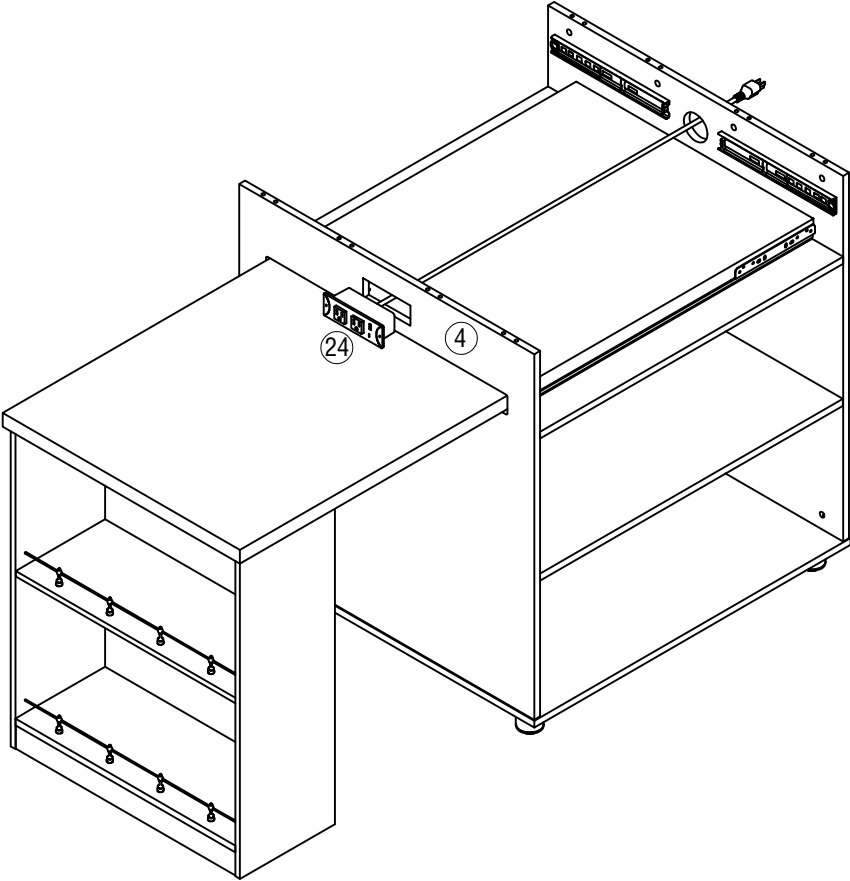
2



# Installation Steps


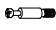

23 ▶

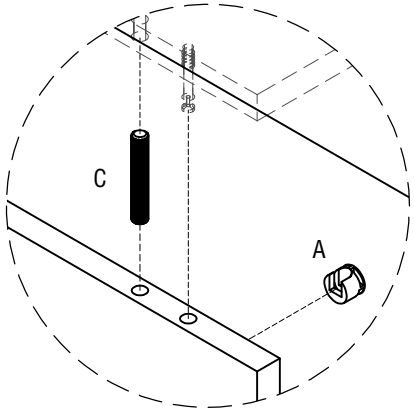
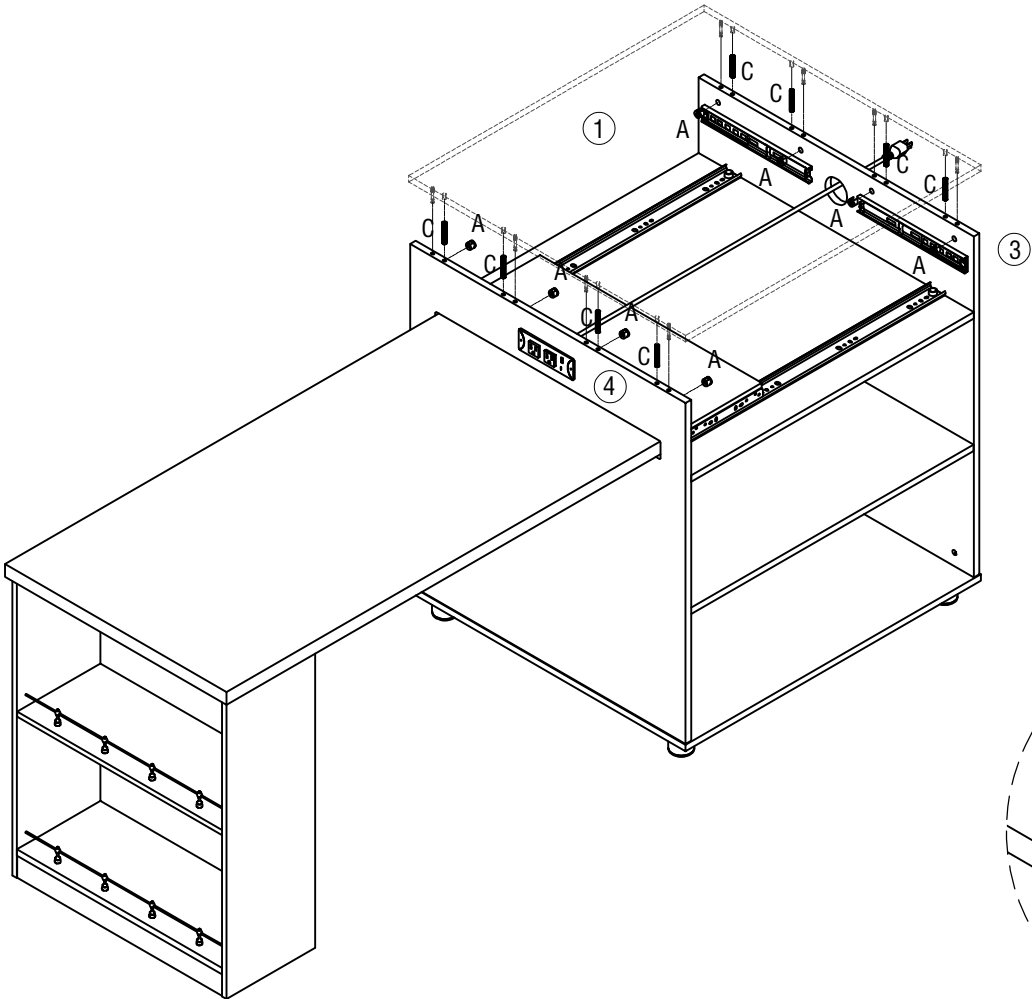
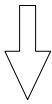
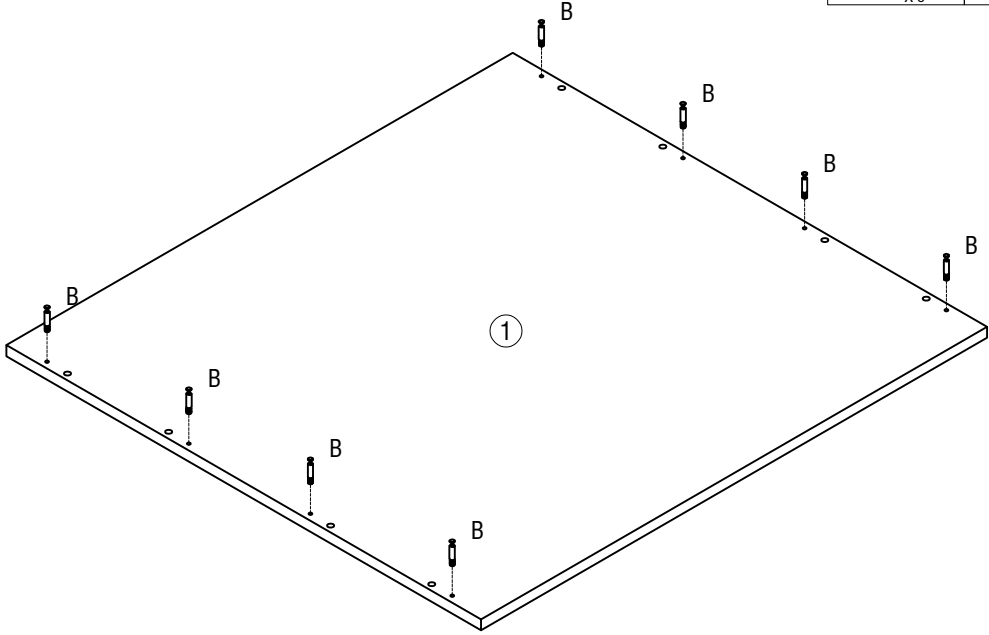
G M3.5\*12  
X 2



# Installation Steps

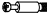


24 ▶

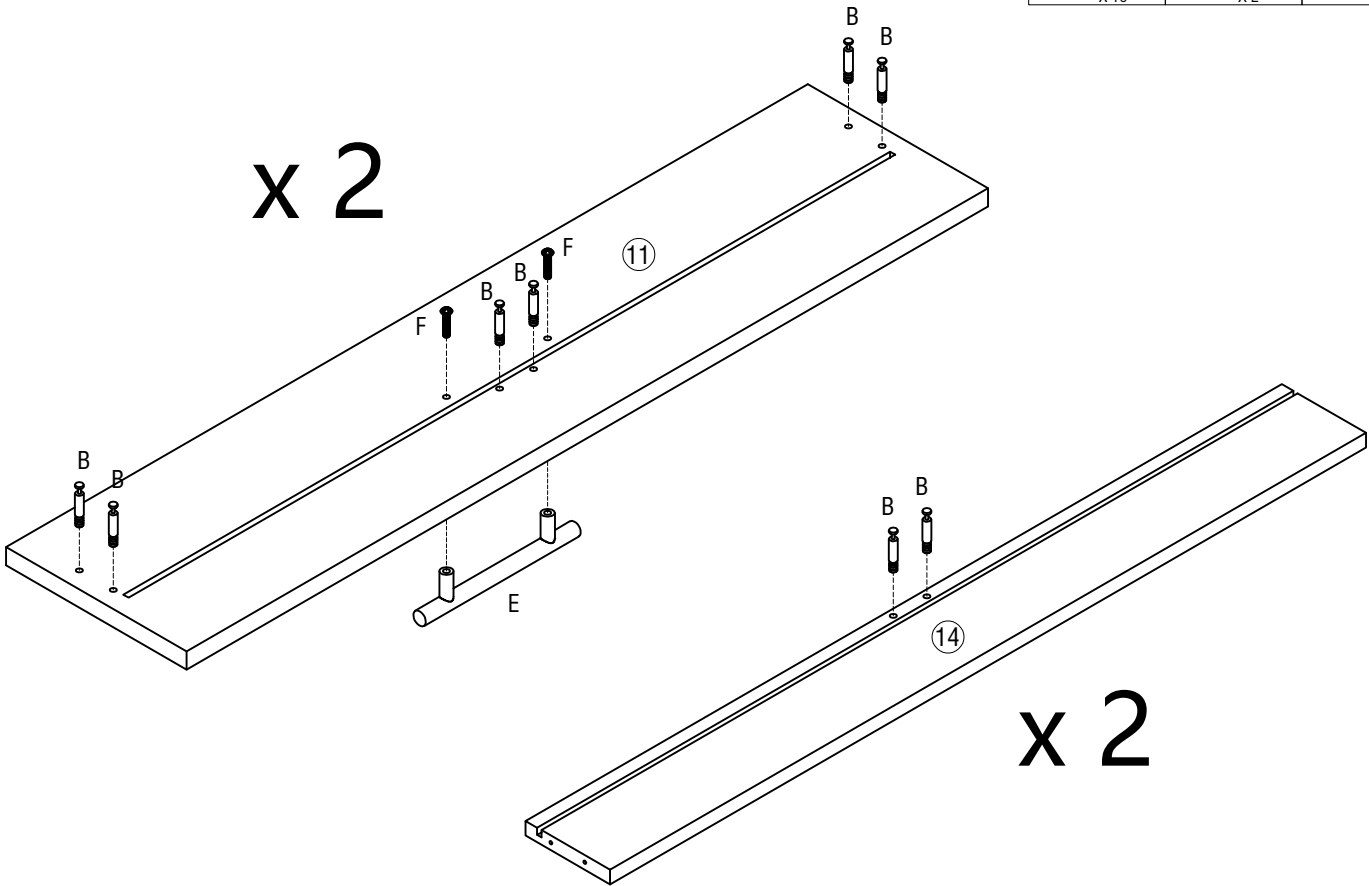
<b>A</b>	$\phi 12 \times 10$	<b>B</b>	$\phi 7 \times 40$	<b>C</b>	$\phi 8 \times 40$
					
	X 8		X 8		X 8




# Installation Steps

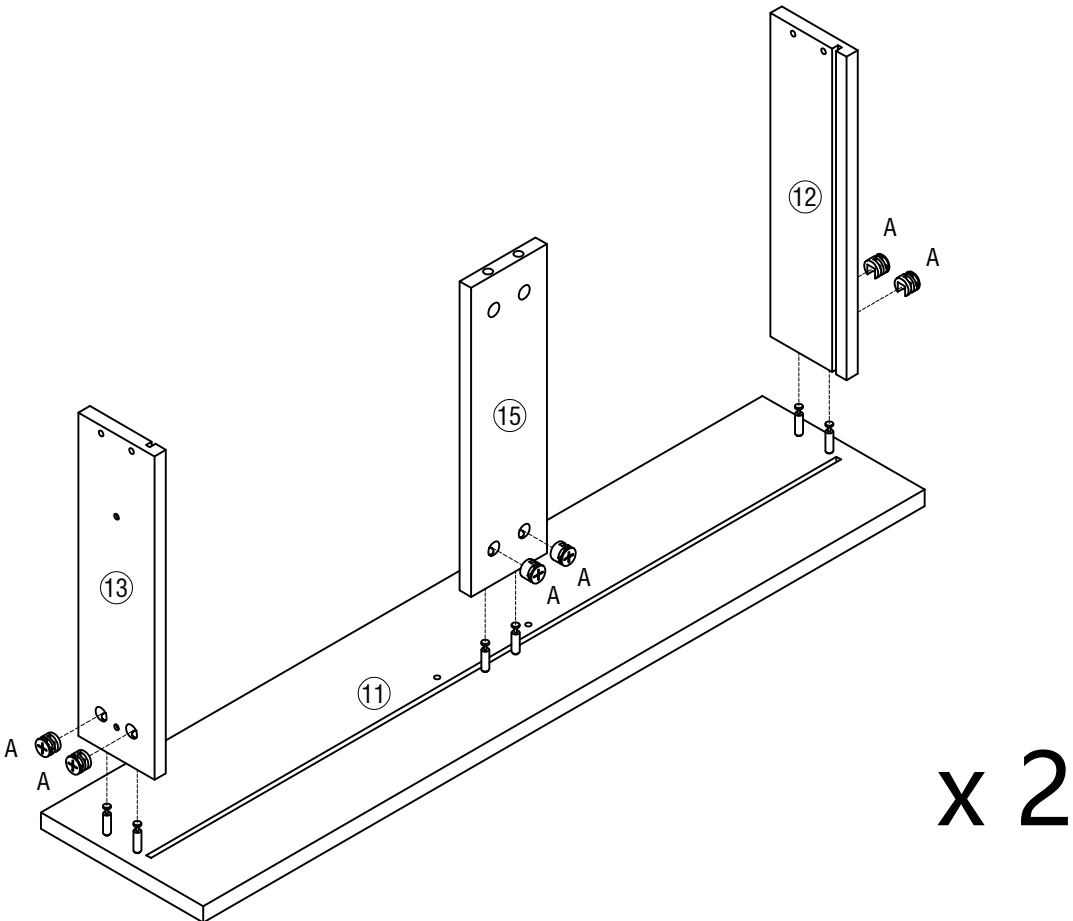
25 ▷

<b>B</b>	$\phi 7 \times 40$	<b>E</b>	96mm	<b>F</b>	$\phi 4 \times 20$
					
X 16		X 2		X 4	



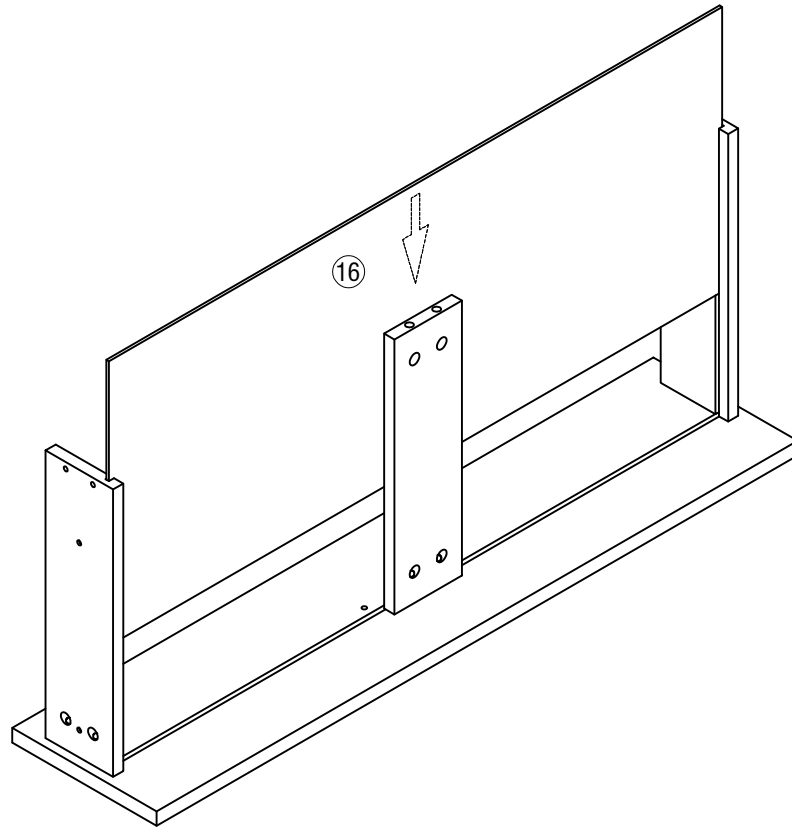
26 ▷

<b>A</b>	$\phi 12 \times 10$
	
X 12	



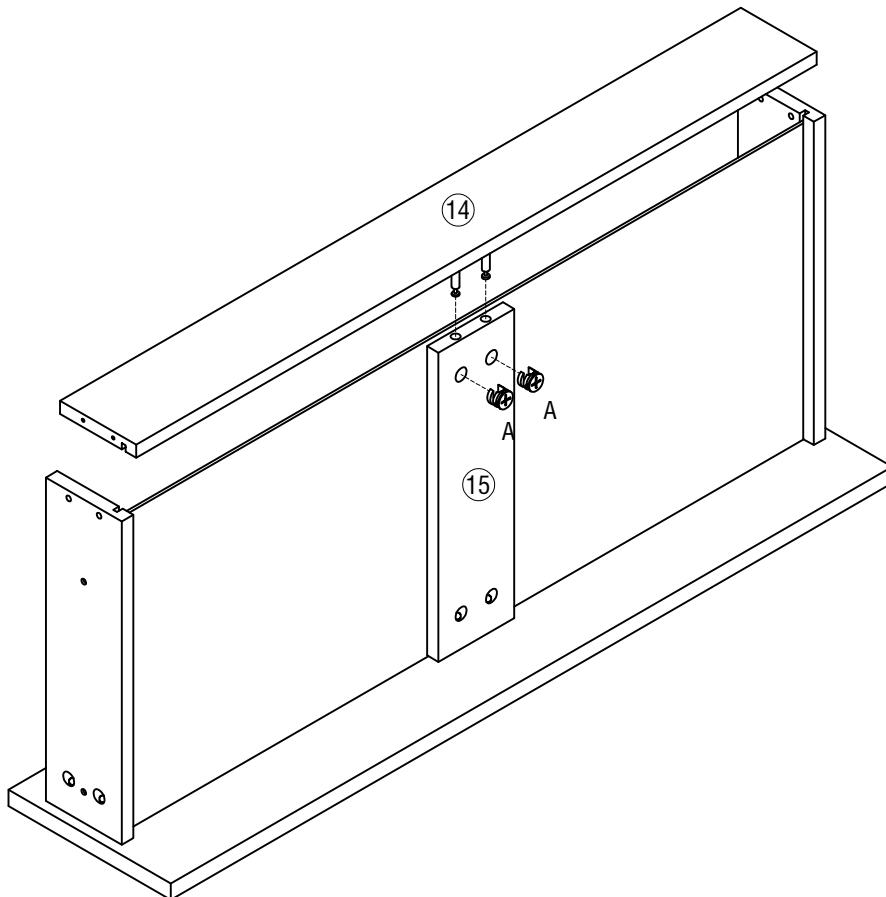
# Installation Steps

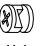
27 ▷



x 2

28 ▷



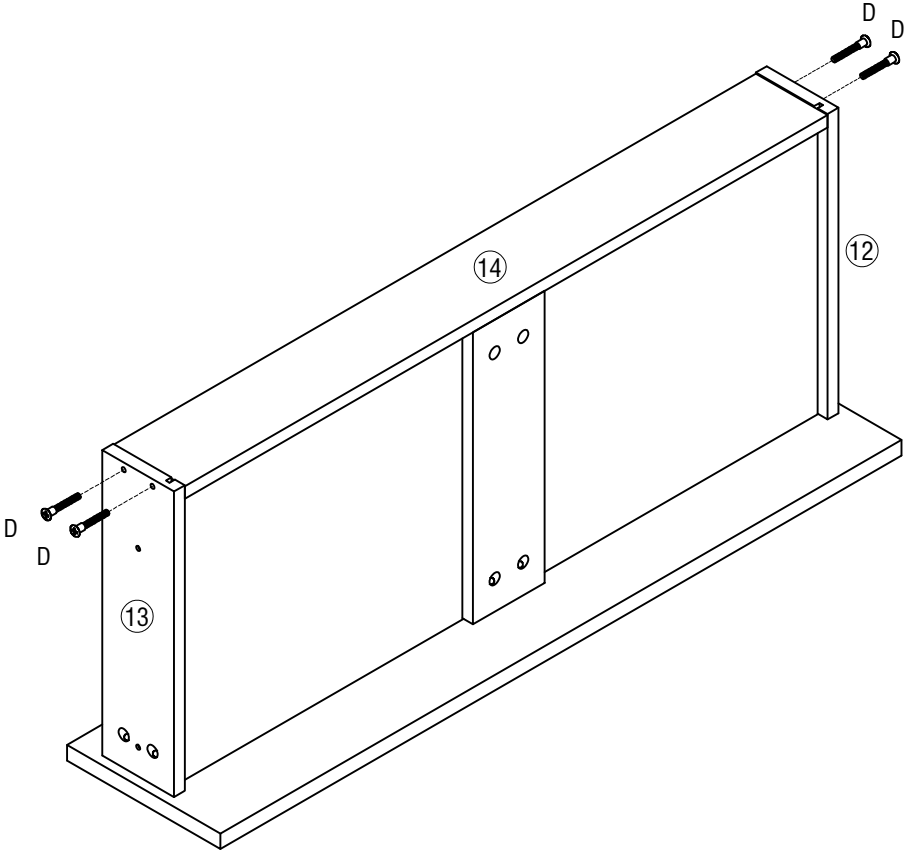
A  $\phi 12 \times 10$   
  
X 4

x 2

# Installation Steps

29 ▷

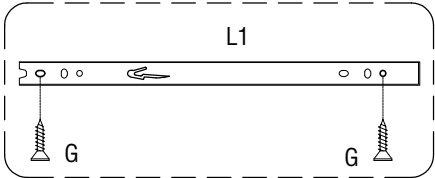
D M5\*40  
X 8



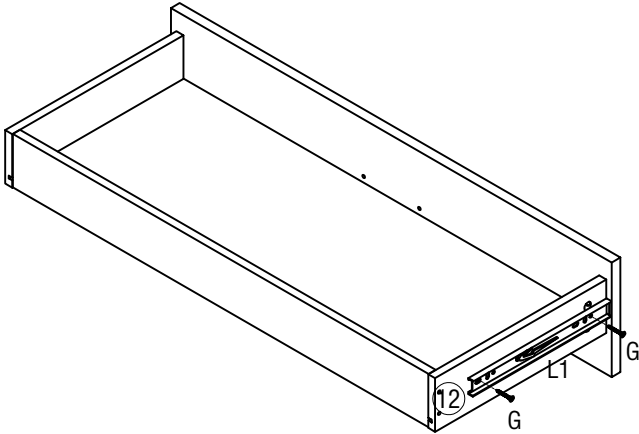
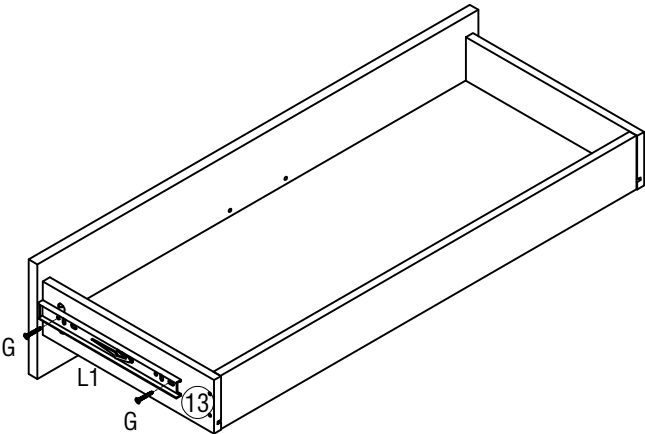
x 2

30 ▷

G M3.5\*12 X 8  
L 10" L1 X 2

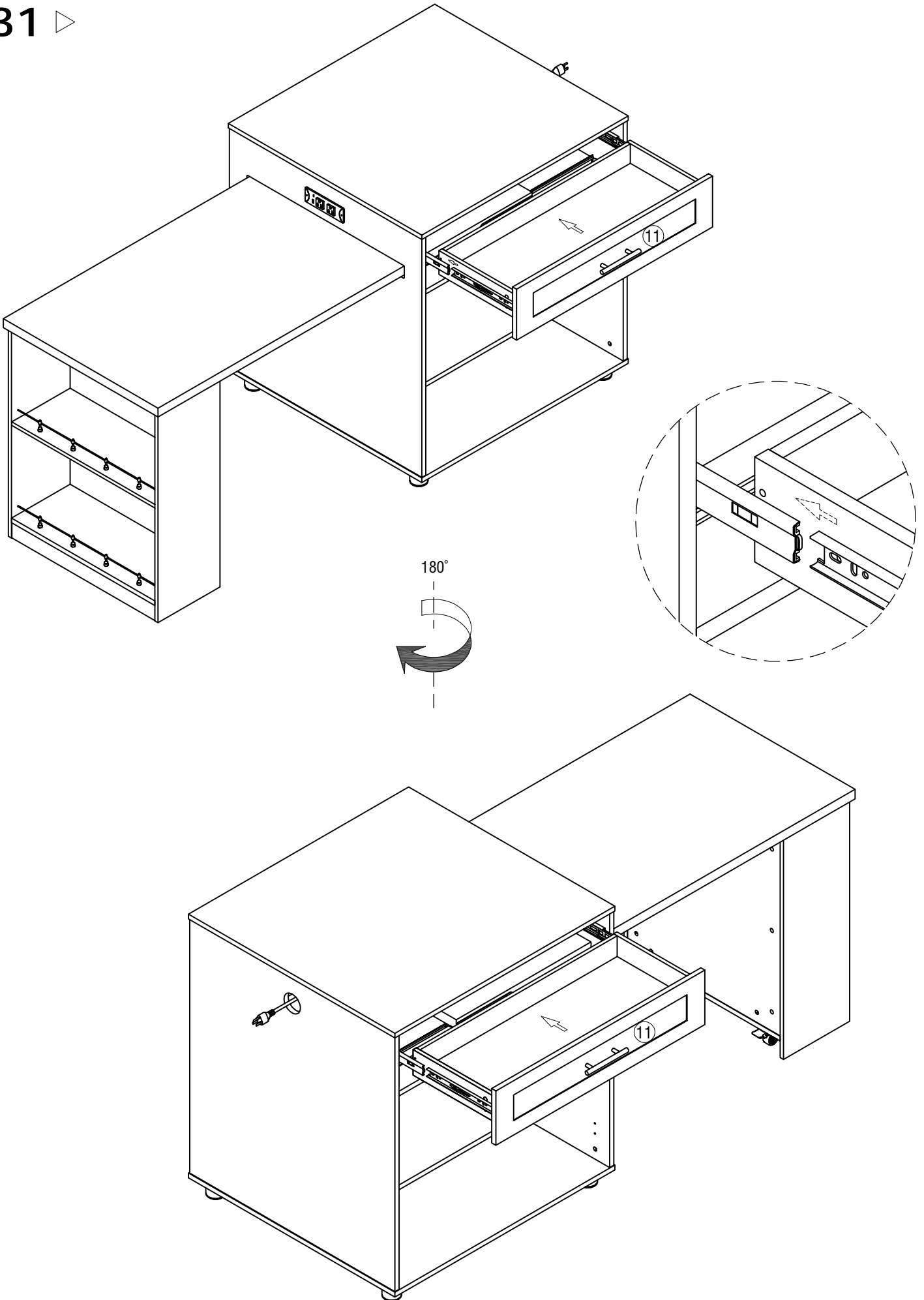


x 2



# Installation Steps

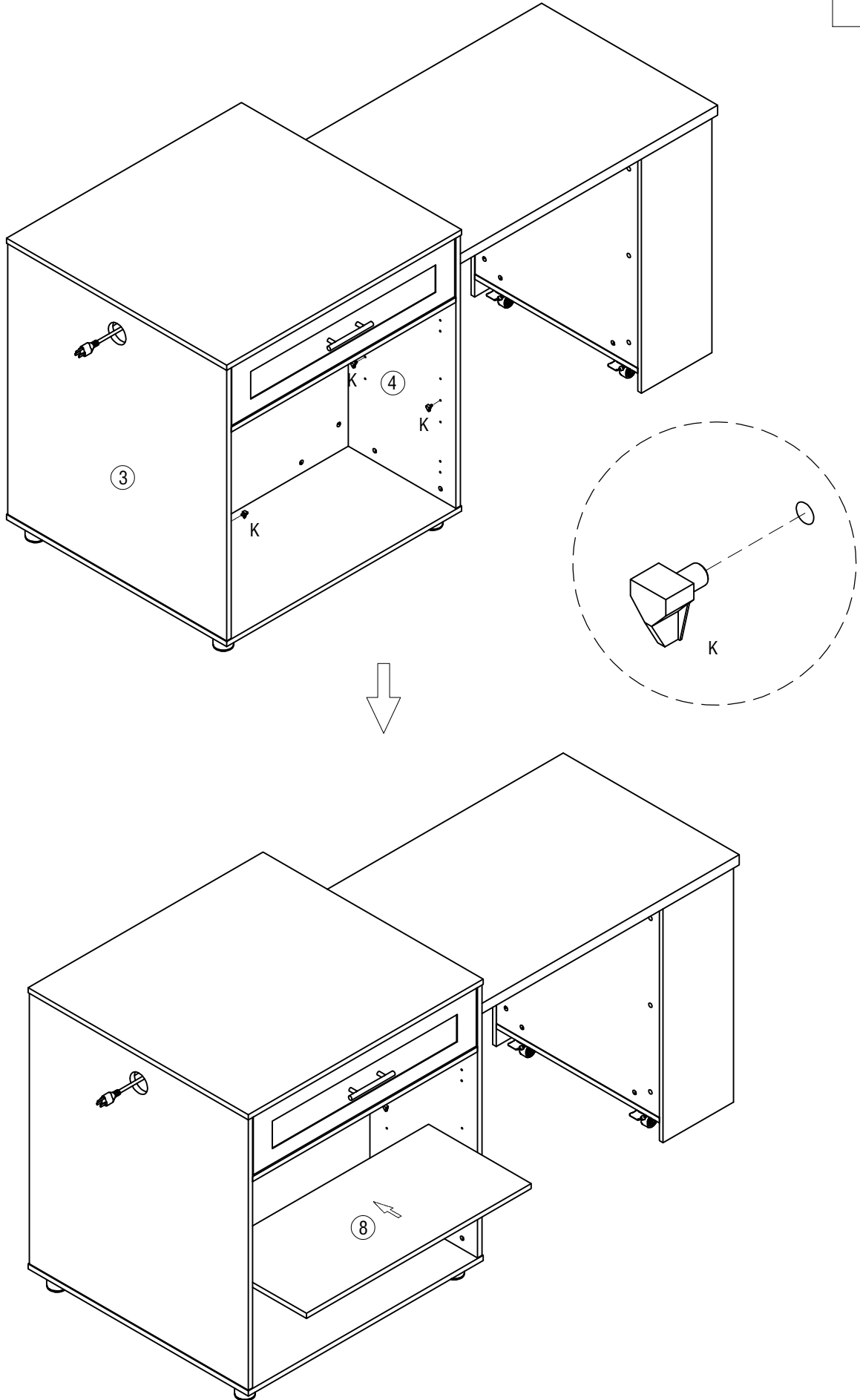
31 ▶



# Installation Steps





32 ▷

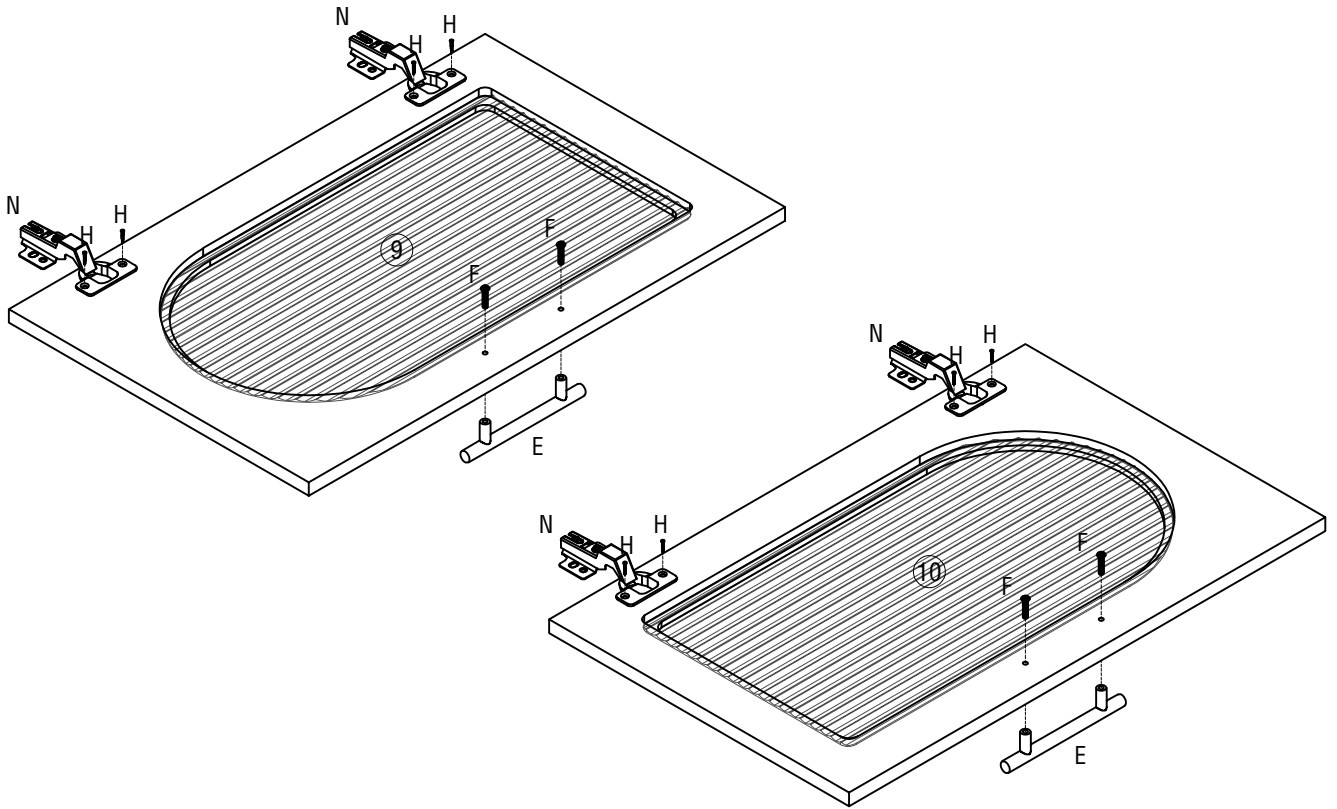
K  
X4



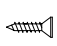
# Installation Steps

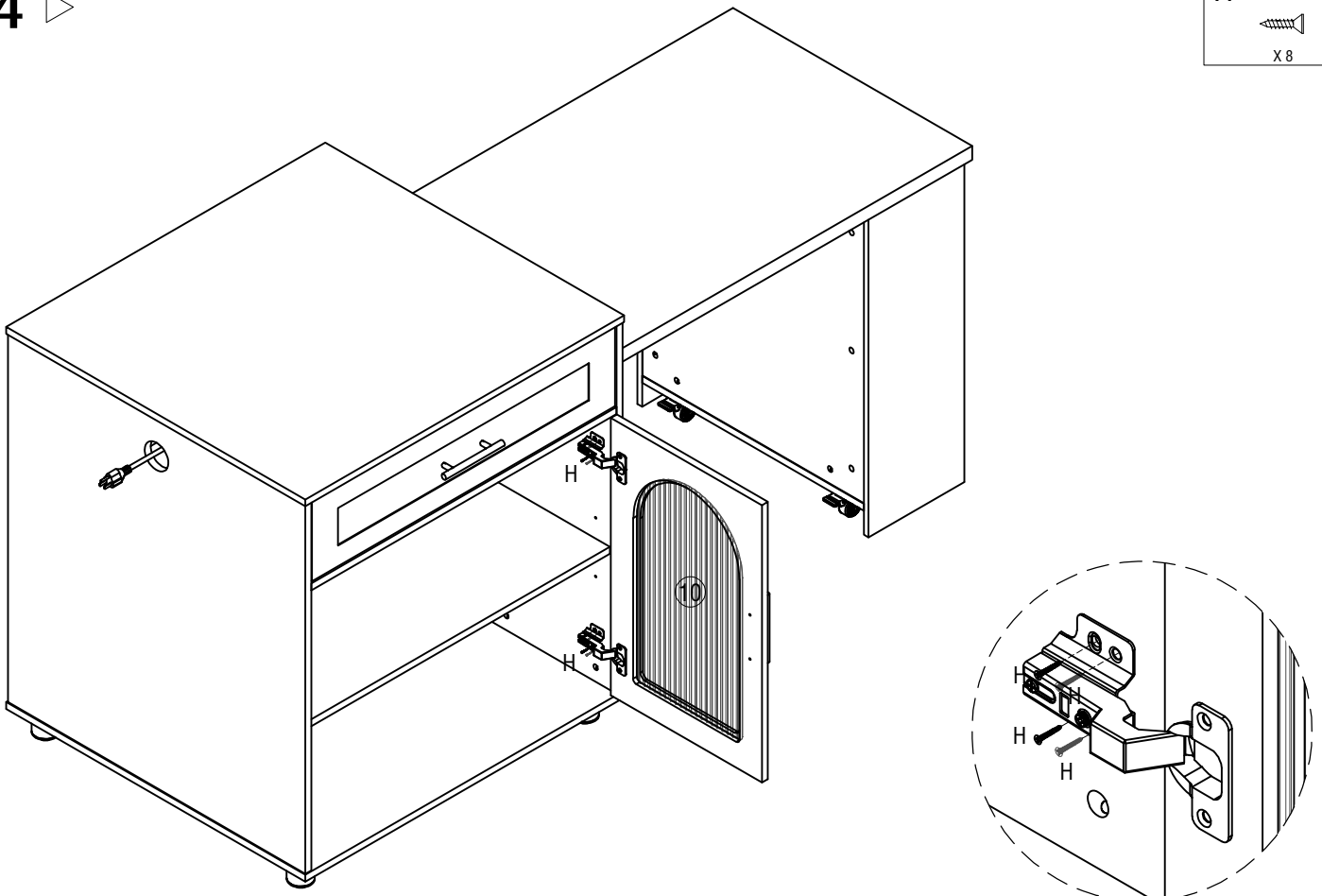
33 ▷

<b>E</b> 96mm  X 2	<b>F</b> $\phi 4 \times 20$  X 4	<b>H</b> M4*14  X 8	<b>N</b>  X 4
---	---	--	--



34 ▷

<b>H</b> M4*14  X 8
--



# Installation Steps

35 ▷

H  
M4\*14  
X 8

