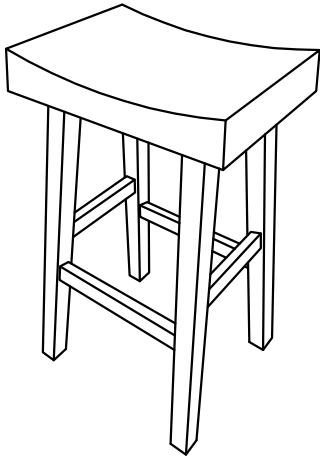


# ASSEMBLY INSTRUCTION



Thank you for purchasing this product. Please take time to read and follow instructions below. Check that you have all parts and hardware before assembly. Parts apparently missing are often found in packing materials. If you do not have all parts listed, call us and they be sent to you immediately



It is recommended to install protective pads under all legs and supports to avoid damage or scratches when placing furniture on a wood floor or other hard surface, and to limit indentation and prevent discoloration if placing on carpet.

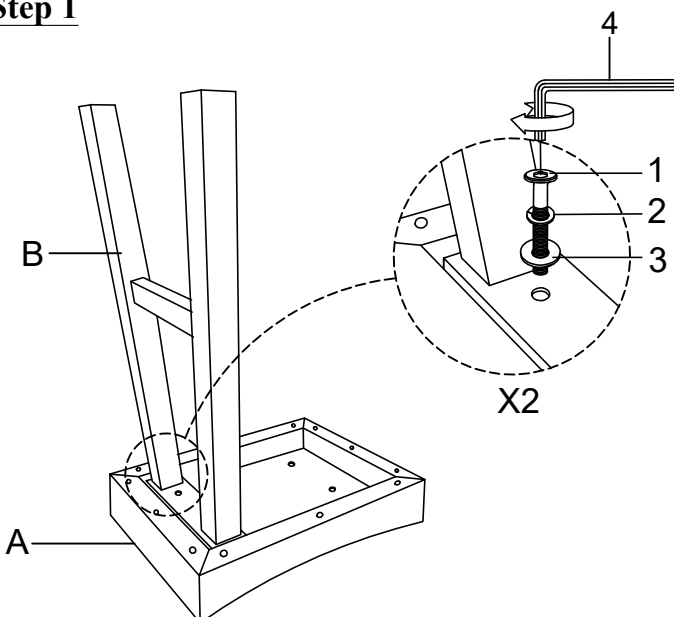
PARTS LIST			
NO.	SKETCH	DESCRIPTION	Q'TY
A		WOODEN SEAT	1PC
B		LEG	2PCS
C		STRETCHER	2PCS

HARDWARE LIST				
NO.	DESCRIPTION	SIZE	SKETCH	Q'TY
1	BOLT	Ø1/4" x 40mm		4PCS
2	LOCK WASHER	Ø1/4"		4PCS
3	FLAT WASHER	Ø1/4"x 3/4"		4PCS
4	ALLEN KEY	1/6" x 2-1/4"		1PC
5	WOOD SCREW	#4*50mm		4PCS

\*\*SCREW DRIVER(NOT PROVIDED)

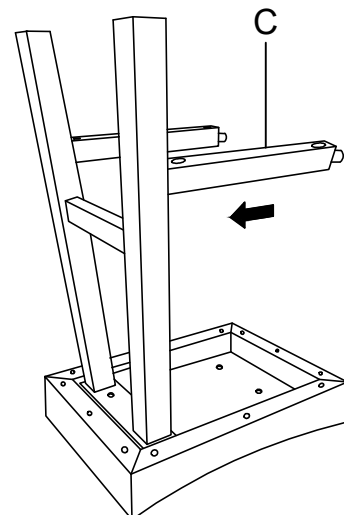


## Step 1



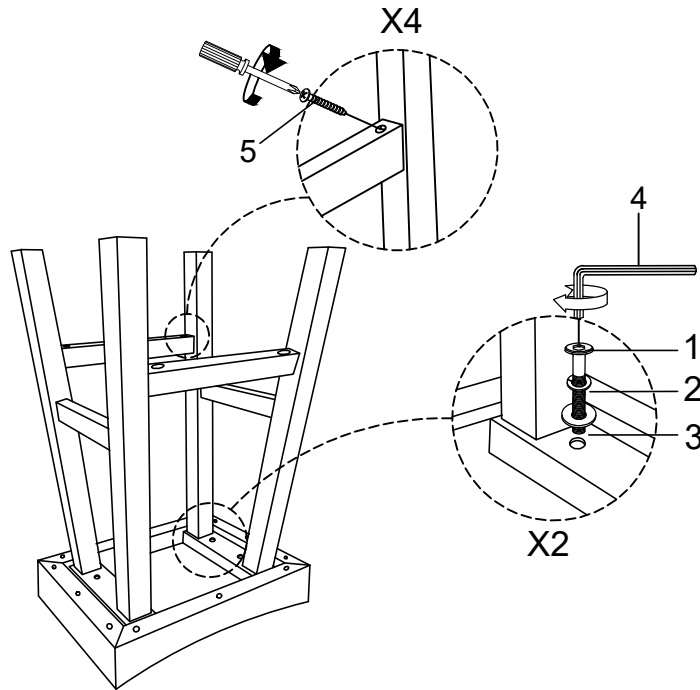
DO NOT TIGHTEN BOLTS UNTIL COMPLETELY ASSEMBLED.

## Step 2

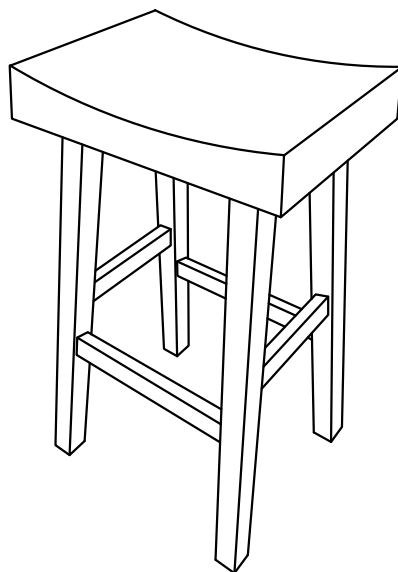


# ASSEMBLY INSTRUCTIONS

## Step 3



## Step 4



ASSEMBLY COMPLETED

DO NOT TIGHTEN BOLTS UNTIL COMPLETELY ASSEMBLED.