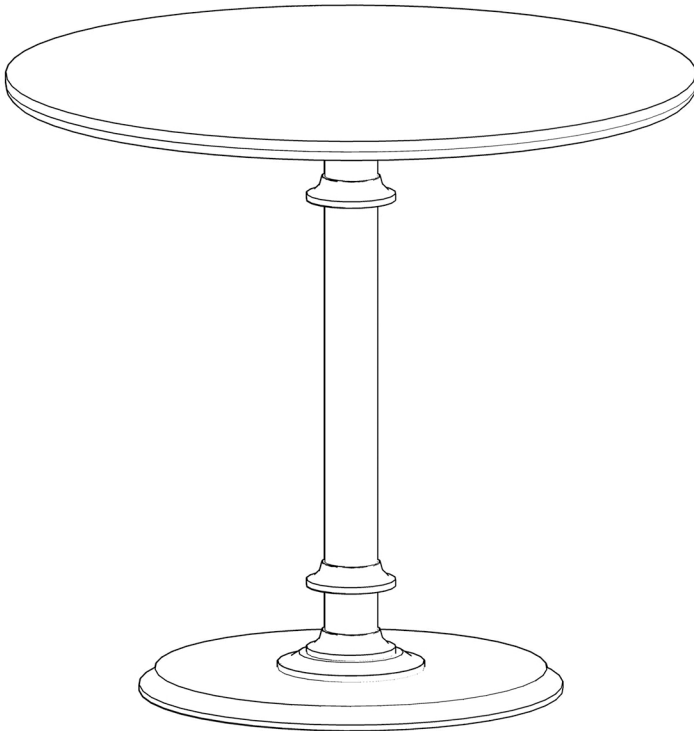
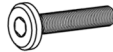


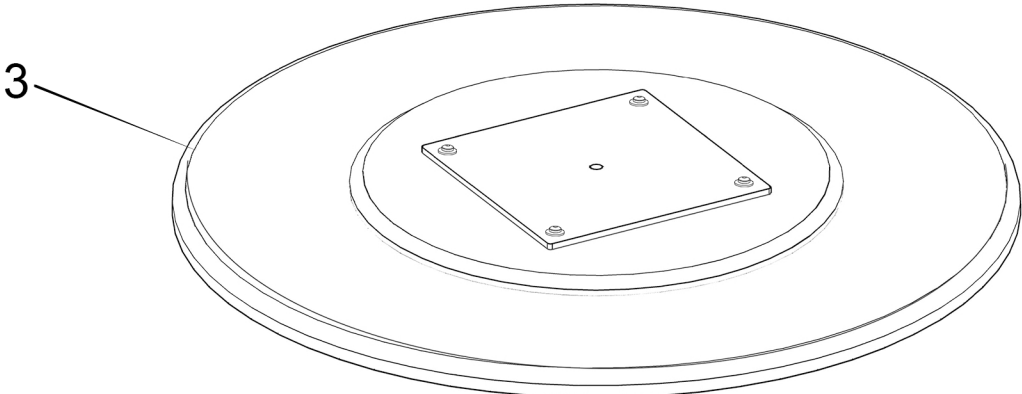
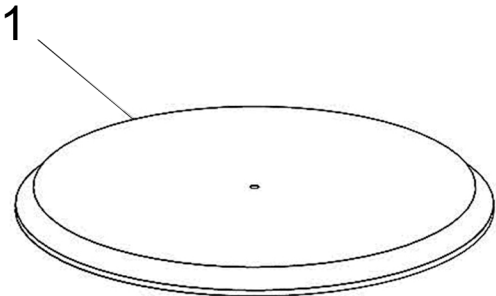
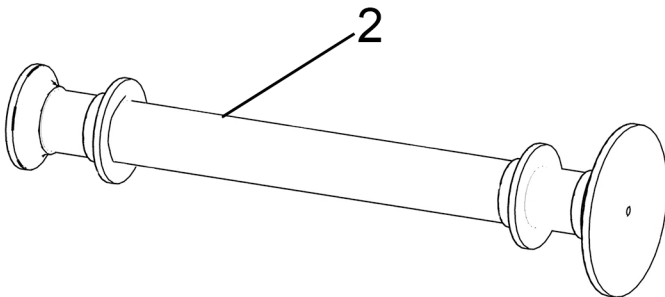
# ASSEMBLY INSTRUCTION FOR

## Barron End Table

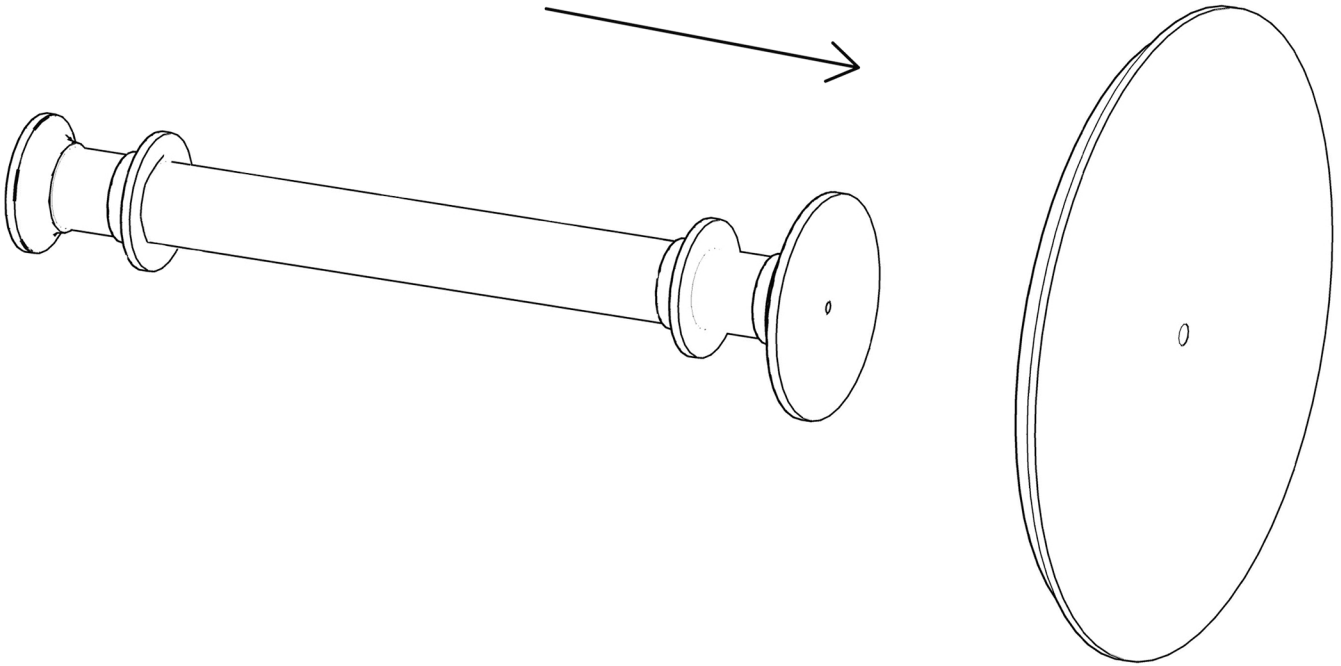


### Hardware List

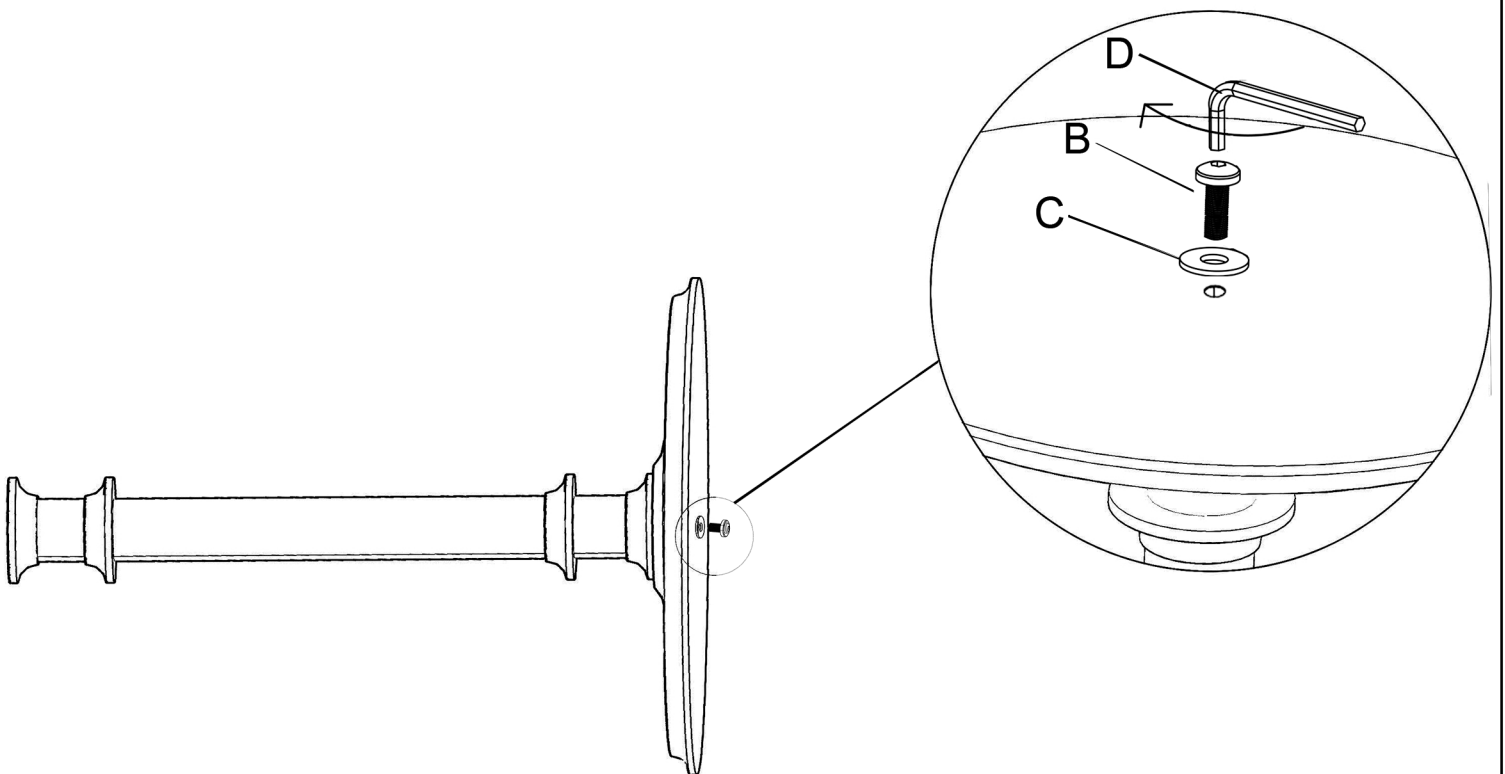
<b>A</b>		Allen Bolt	M8X20	05
<b>B</b>		Allen Bolt	M8X70	01
<b>C</b>		Washer	10X25MM	06
<b>D</b>		Allen Key	5MM	01



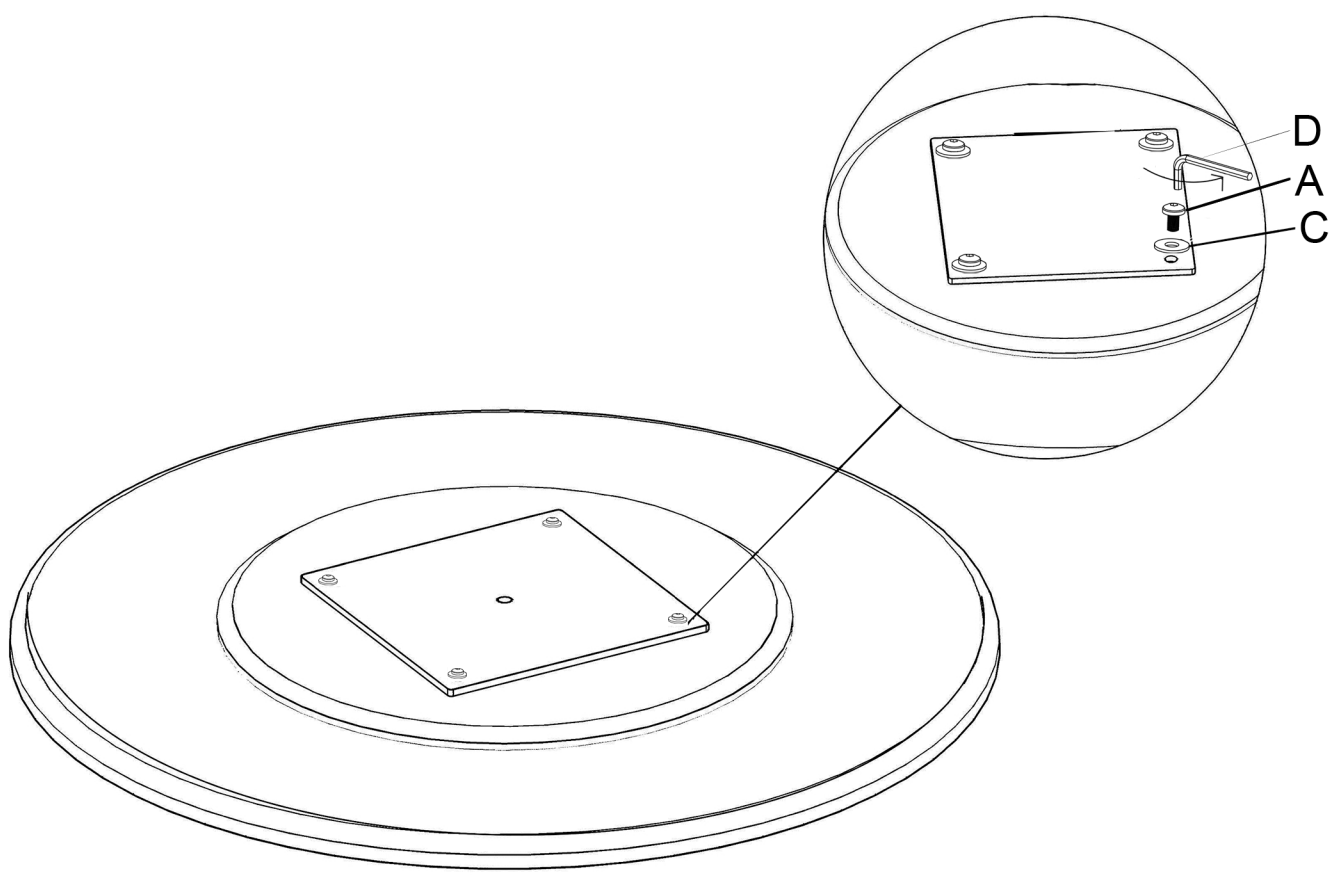
Step 1



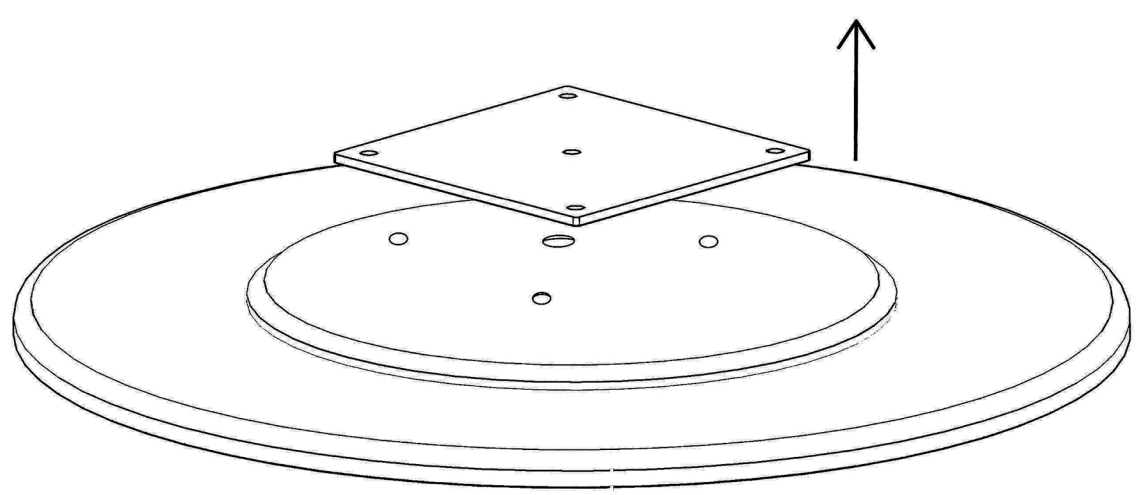
Step 2



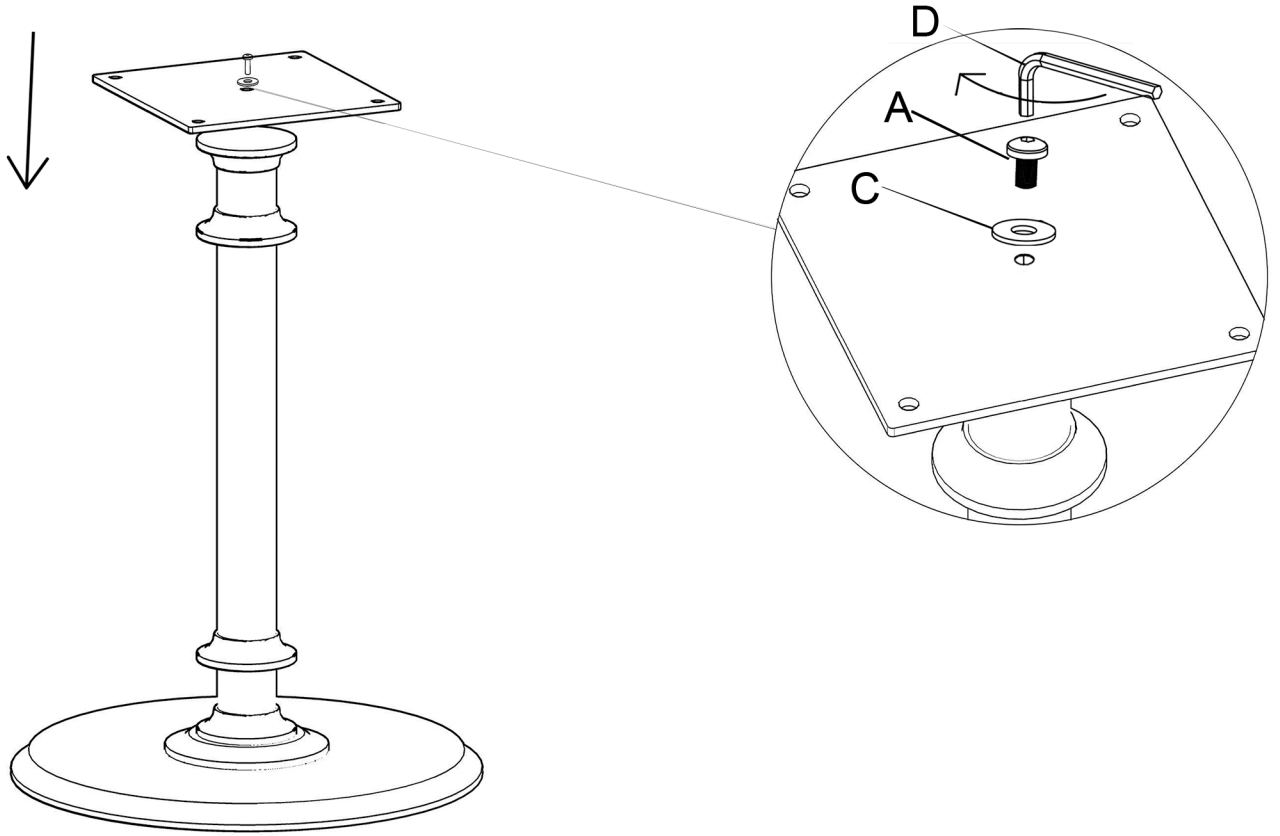
Step 3



Step 4



Step 5



Step 6

